

# VANITY CULTURED MARBLE COUNTERTOP INSTALLATION INSTRUCTIONS

Confidential : A

**PROHIBIT COPY**

Prior to installation, please check the received items against the Packing List.

Please report any missing items

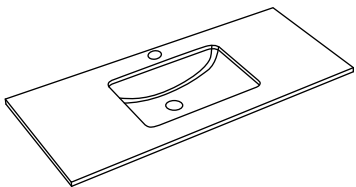
**Call: (951) 213-4742**

Protect all surfaces from sharp objects, high heat sources, direct prolonged sunlight, and chemical hazards.

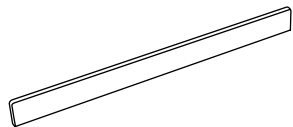
Professional installation is recommended!

## PACKING LIST

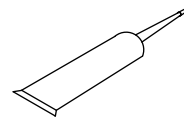
Main countertop



Backsplash



Touch Up paint



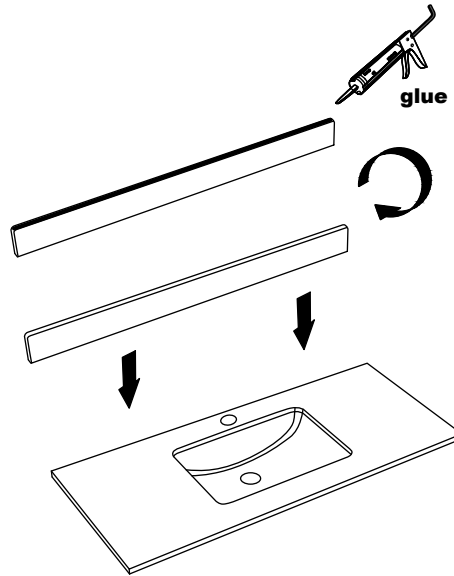
# VANITY CULTURED MARBLE COUNTERTOP INSTALLATION INSTRUCTIONS

Confidential : A

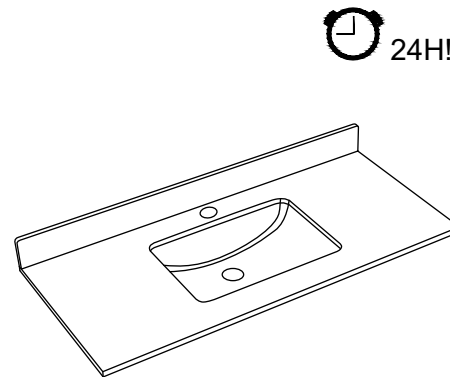
**PROHIBIT COPY**

## Install Backsplash

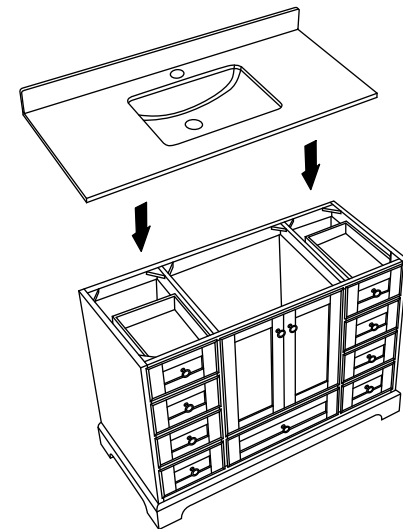
STEP:1



STEP:2



STEP:3



Install countertops with clear or white silicone sealant to seal the top of the cabinets.

# VANITY CULTURED MARBLE COUNTERTOP INSTALLATION INSTRUCTIONS

**Confidential : A**

**PROHIBIT COPY**

## Countertop Maintenance

### Vanity Top:

- The vanity top is porous and easily stained. Wipe off anything spilled on it immediately. It should be washed regularly with fresh, warm water and a non-abrasive clean cloth.
- Do not use bleach, acidic cleaners, or any abrasive household cleaners with natural marble, as etching and dullness may occur.
- The vanity top has been sealed at the manufacturing facility. The sealer acts as a stain inhibitor and prevents most stains and soil from being absorbed into the porous surface, but it is NOT a guarantee against staining.

### Ceramic Sinks:

- Avoid using abrasive cleaners. Clean regularly with nonabrasive cleansers and non-scratching sponges.
- Do not use bleach, acidic cleaners, or any abrasive household cleaners, as etching and dullness may occur.