

Instruction Manual

Rain Shower System

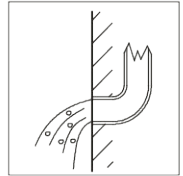


CONTENT

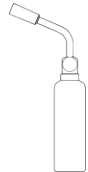
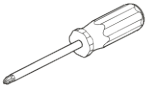
| | |
|---|----|
| ■ Installation Condition | 1 |
| ■ 3 Function Shower Faucet (Model:A) | 2 |
| ■ 2 Function Shower Faucet (Model:B) | 7 |
| ■ 3 Function Shower Faucet (Model:C/D) | 12 |
| ■ Installation Of Rain Shower Head & Shower Arm | 17 |
| ■ Tub Spout Installation | 17 |
| ■ Clean And Maintenance | 18 |

◆ Installation Condition

1. Check the Accessories List to verify that all parts are complete in this package.
2. Do not disassemble the main body by yourself.
3. Connect inlet pipes to supply valves.
4. Make sure inlet pipes and supply valves have been installed and cleaned, with no impurities in the pipeline.
5. After installation, check all joints for leakages.
6. Do not leave the rain shower system exposed to a severely corrosive environment.



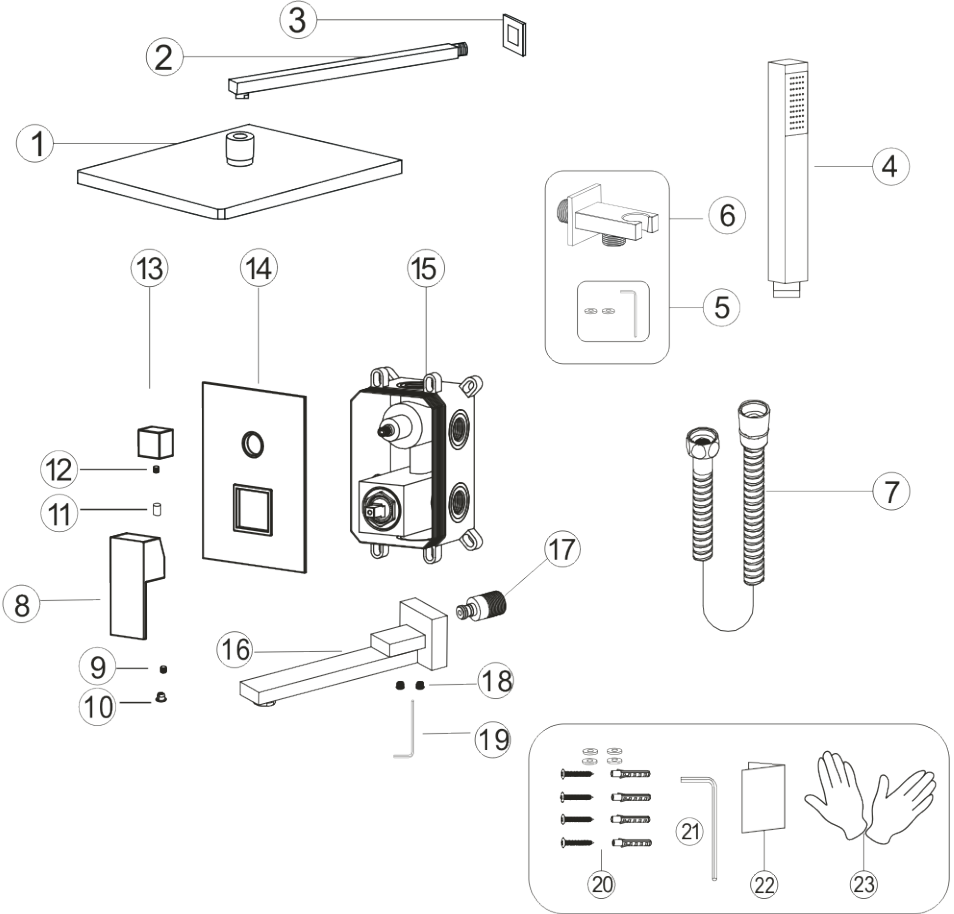
YOU MAY NEED:



◆ 3 Function Shower Faucet

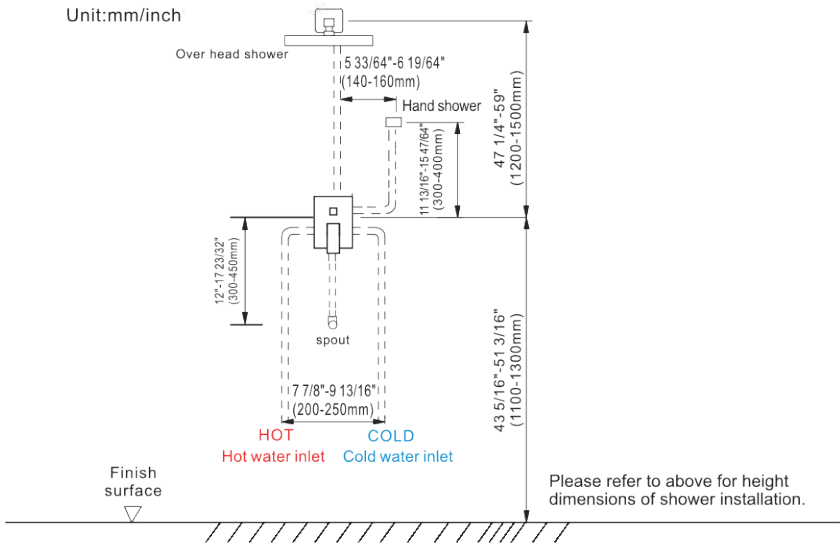
Model:A

Accessories List

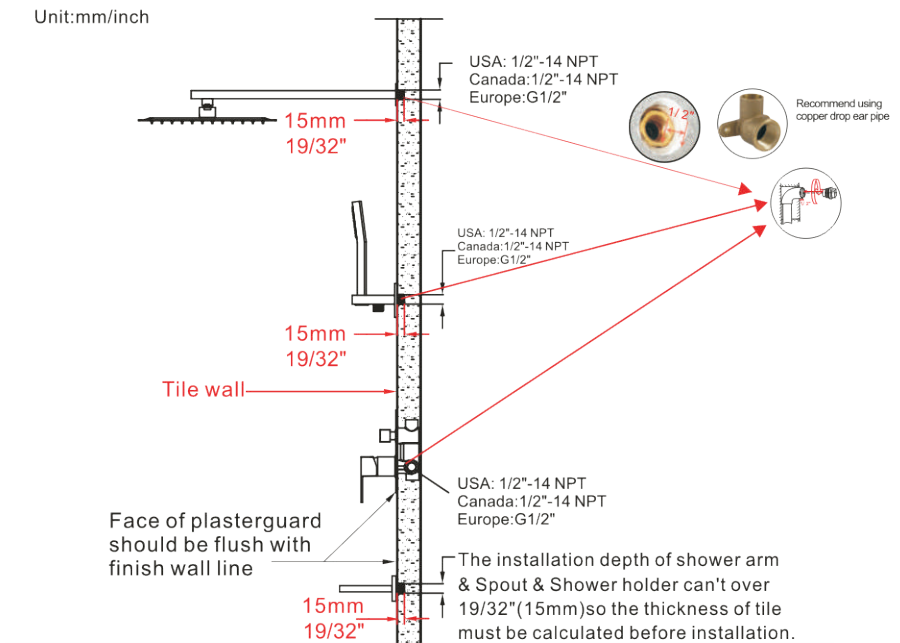


| No. | Part name | Qty | No. | Part name | Qty |
|-----|----------------------|-----|-----|-----------------------|-----|
| 1 | Shower head | 1 | 13 | Water diverter | 1 |
| 2 | Shower arm | 1 | 14 | Panel | 1 |
| 3 | Shower arm cover | 1 | 15 | Main body | 1 |
| 4 | Hand shower | 1 | 16 | Bathtub spout body | 1 |
| 5 | Holder parts | 1 | 17 | Bathtub spout copper | 1 |
| 6 | Hand shower holder | 1 | 18 | Bathtub spout screw | 2 |
| 7 | Shower hose | 1 | 19 | Bathtub spout Wrench | 1 |
| 8 | Handle | 1 | 20 | Main body spare parts | 4 |
| 9 | Handle screw | 1 | 21 | Wrench | 1 |
| 10 | Handle cap | 1 | 22 | Instruction manual | 1 |
| 11 | Water diverter cap | 1 | 23 | Gloves | 2 |
| 12 | Water diverter screw | 1 | | | |

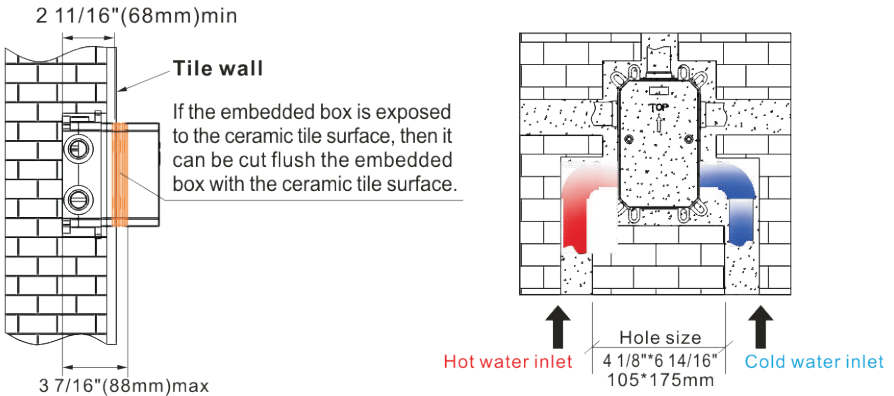
◆ Essential Dimensions & Water Pipe Line



◆ Installation Depth Of Shower Arm & Spout & Shower Holder

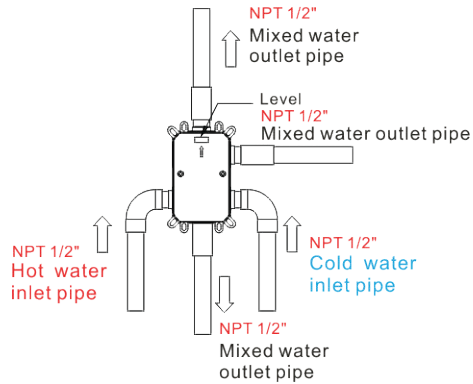


◆ **Installation Depth Of Main Body**



- Notice:** 1. The installation depth of main body should be no less than 2 11/16" (68mm) and no more than 3 7/16" (88mm), including the thickness of tile. Other wise, the panel cannot be installed.
2. The opening size of ceramic tile shall be smaller than the panel size

◆ **Piping Instructions Before Tiling**

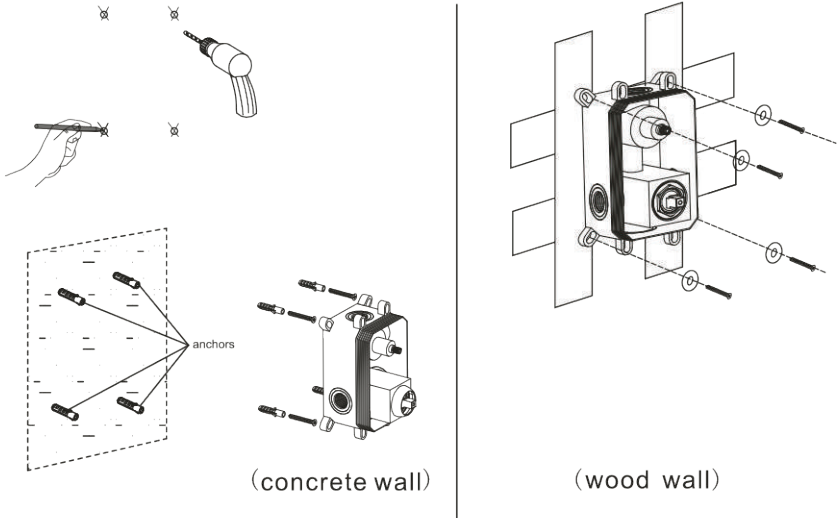


1. Connect the water pipes as illustrations. Please make sure the mark ↑ is facing upward.
2. Before tiling, turn on the water and pull the shower handle to check for leakages.



Warning: must install hot water and cold water inlet strictly as instructions.

◆ Main Body Valve Installation

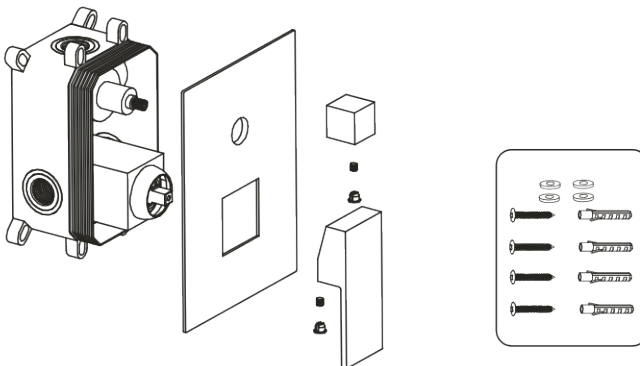


1. Make marks according to the size of the main body valve and then drill anchors into the wall (concrete wall)

2. Lock main body to wood directly with screws (wood wall)

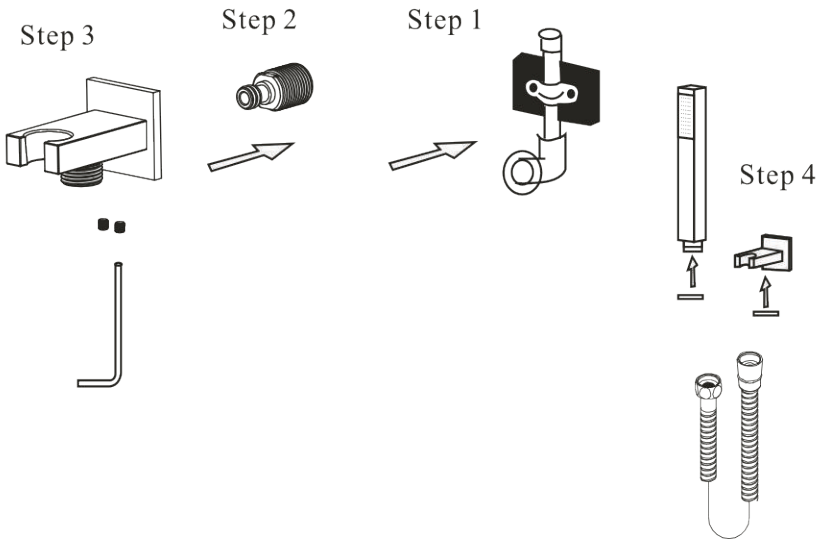
▲ Please note that the level meter should be parallel with the wall, otherwise the panel cannot be installed.

◆ Main Body Valve Installation



Install the handle with the screw and handle cap.

◆ Hand Shower Holder Installation



Step 1. Screw the thread into the water pipe inside the wall.

Step 2. Screw the hand shower holder with cover into the thread.

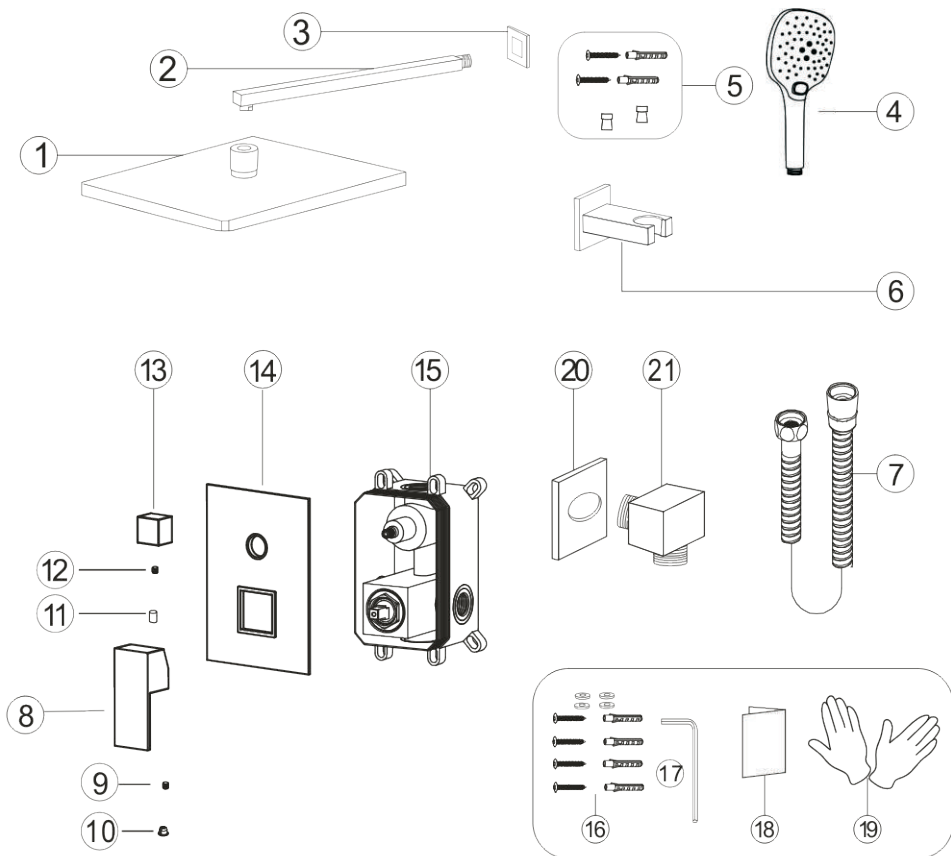
Step 3. Rotate and fix the holder with the wrench.

Step 4. Connect hand shower and the hose.

◆ 2 Function Shower Faucet

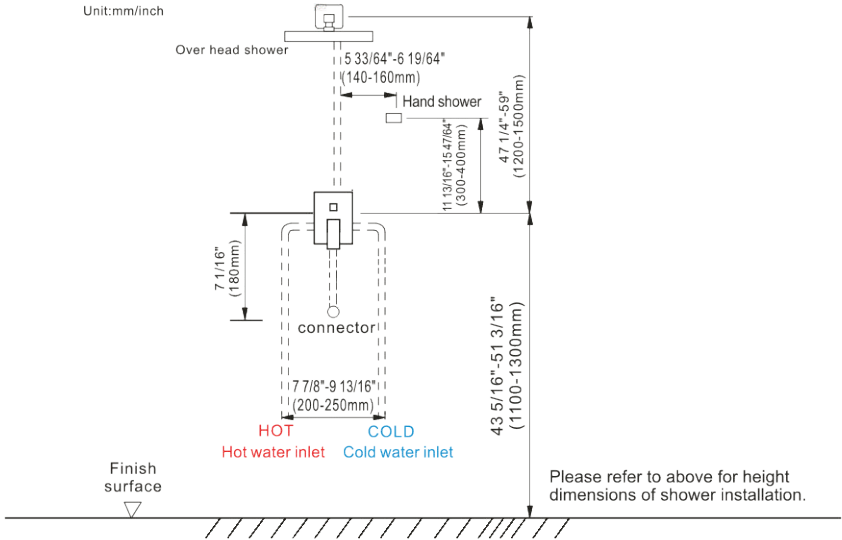
Model: B

Accessories List

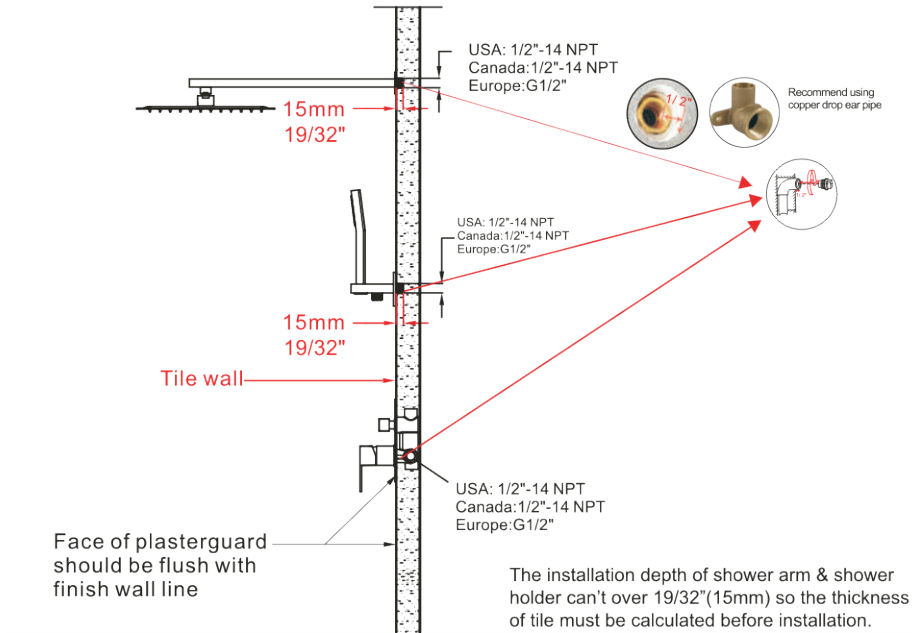


| No. | Part name | Qty | No. | Part name | Qty |
|-----|--------------------|-----|-----|-----------------------|-----|
| 1 | Shower head | 1 | 12 | Water diverter screw | 1 |
| 2 | Shower arm | 1 | 13 | Water diverter | 1 |
| 3 | Shower arm cover | 1 | 14 | Panel | 1 |
| 4 | Hand shower | 1 | 15 | Main body | 1 |
| 5 | Holder parts | 2 | 16 | Main body spare parts | 4 |
| 6 | Hand shower holder | 1 | 17 | Wrench | 1 |
| 7 | Shower hose | 1 | 18 | Instruction manual | 1 |
| 8 | Handle | 1 | 19 | Gloves | 2 |
| 9 | Handle screw | 1 | 20 | Cover | 1 |
| 10 | Handle cap | 1 | 21 | Connector | 1 |
| 11 | Water diverter cap | 1 | | | |

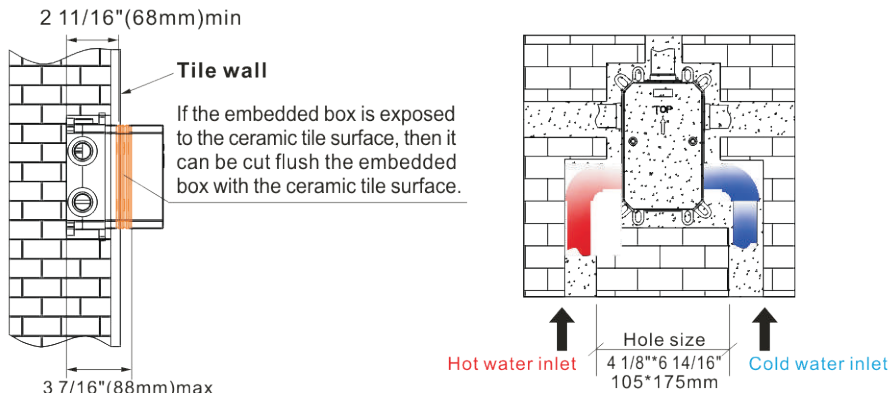
◆ **Essential Dimensions & Water Pipe Line**



◆ **Installation Depth Of Shower Arm & Shower Holder**

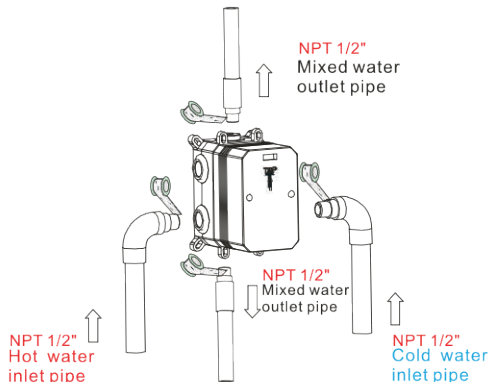


◆ Installation Depth Of Main Body



- Notice:**
1. The installation depth of main body should be no less than 2 11/16" (68mm) and no more than 3 7/16" (88mm), including the thickness of tile. Other wise, the panel cannot be installed.
 2. The opening size of ceramic tile shall be smaller than the panel size

◆ Piping Instructions Before Tiling

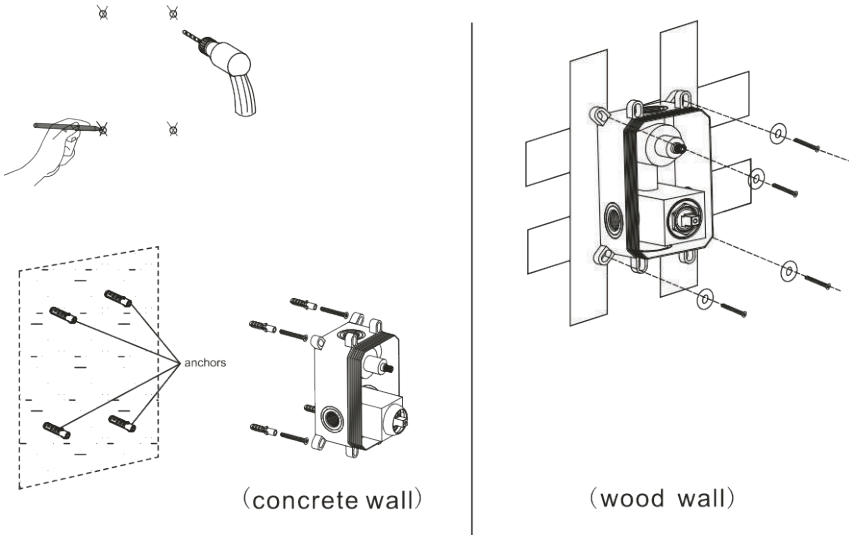


1. Connect the water pipes as illustrations. Please make sure the mark ↑ is facing upward.
2. Before tiling, turn on the water and pull the shower handle to check for leakages.



Warning: must install hot water and cold water inlet strictly as instructions.

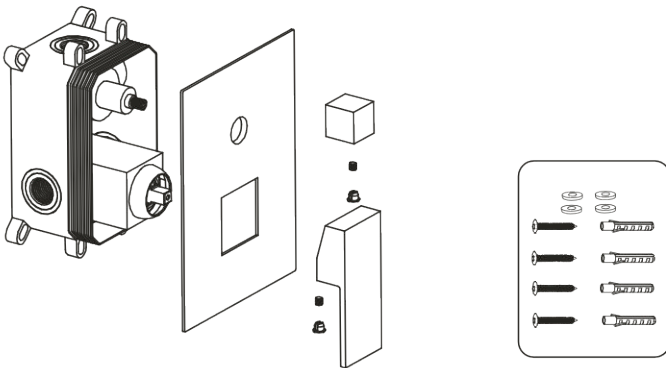
◆ Main Body Valve Installation



1. Make marks according to the size of the main body valve and then drill anchors into the wall (concrete wall)
2. Lock main body to wood directly with screws (wood wall)

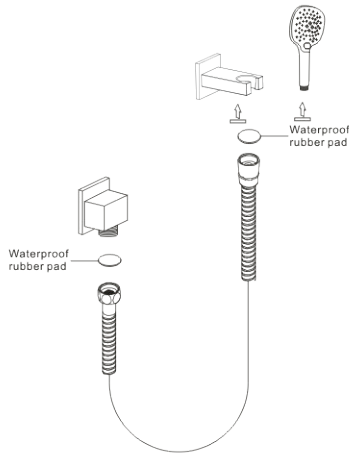
▲ Please note that the level meter should be parallel with the wall, otherwise the panel cannot be installed.

◆ Main Body Valve Installation



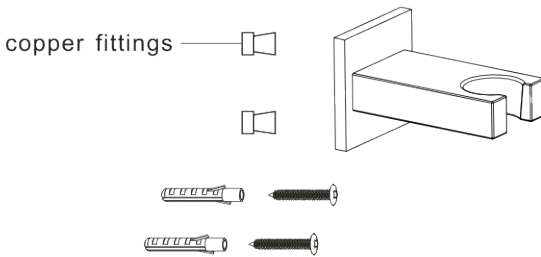
Install the handle with the screw and handle cap.

◆ Hand Shower Holder Installation



Step1: The connector is to be wrapped with Teflon tape, Screw the thread into the water pipe inside the wall.

Step2: Install the rubber pad on the shower hose and connect it with the connector.



Step1: Use anchors to screw the copper fittings to the wall first.

Step2: Remove two screws from the shower seal.

Step3: Insert the shower seal into the copper fittings that have been installed on the wall and then fix the shower seal with two screws.

◆ 3 Hand Shower Modes



Rain Shower



Power Pulse Massage

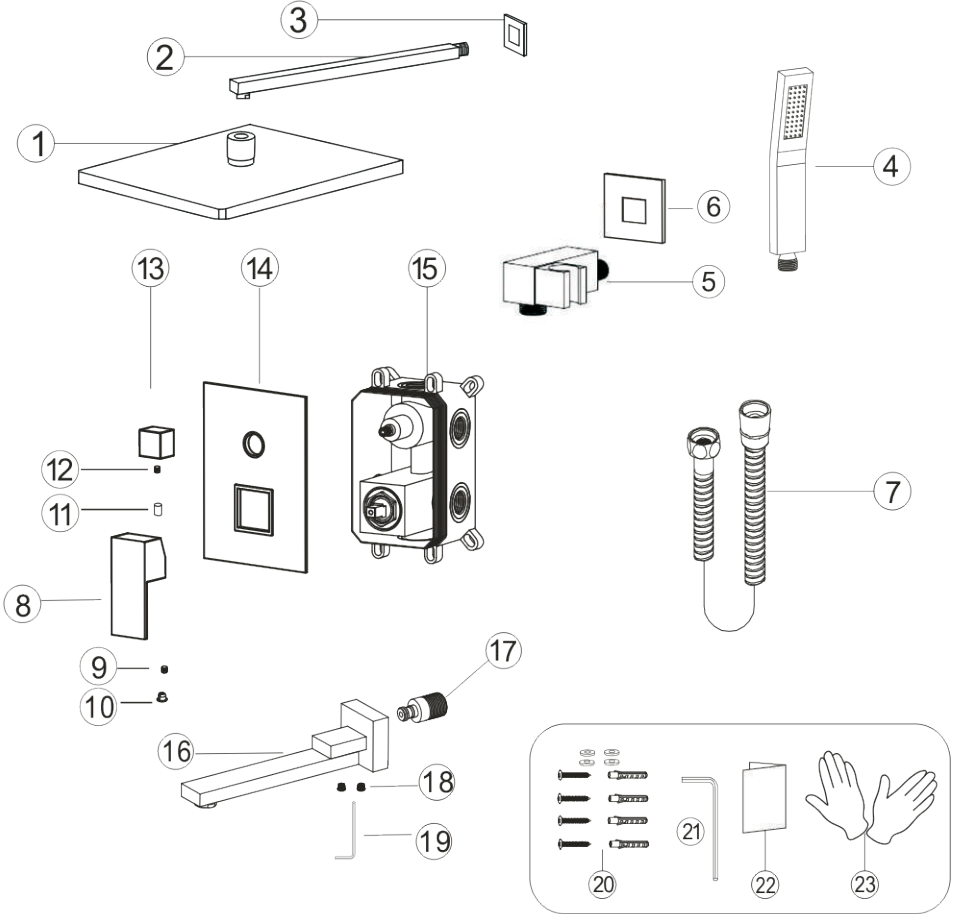


Massage + Rain Shower

◆ 3 Function Shower Faucet

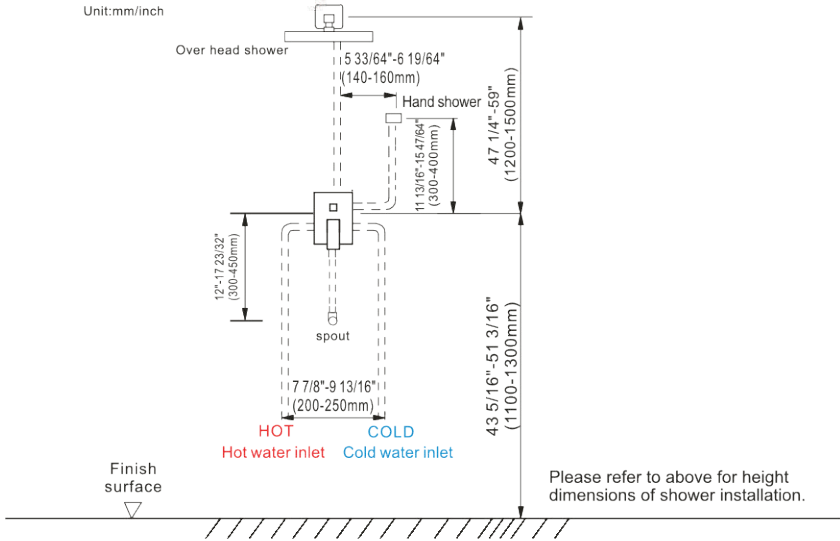
Model:C/D

Accessories List

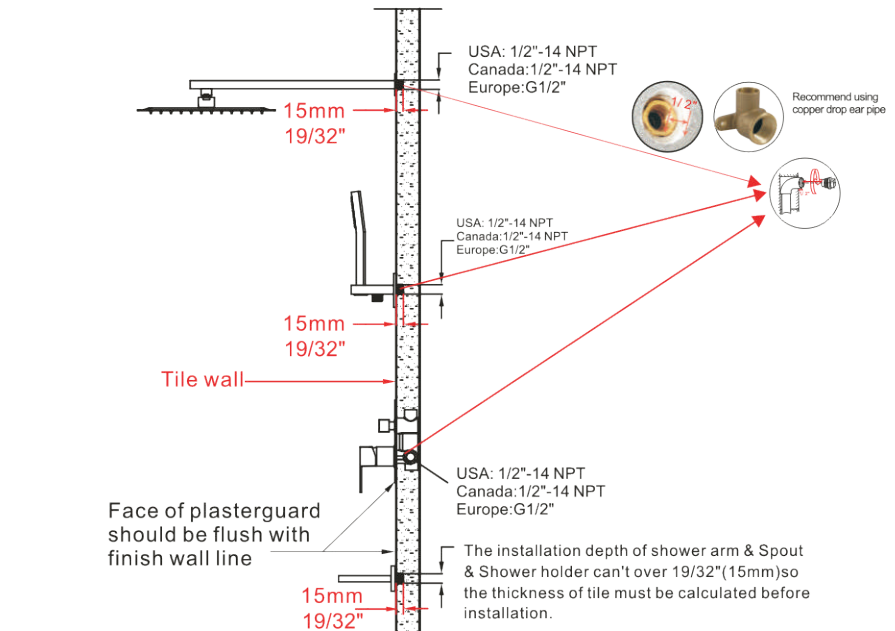


| No. | Part name | Qty | No. | Part name | Qty |
|-----|----------------------|-----|-----|-----------------------|-----|
| 1 | Shower head | 1 | 13 | Water diverter | 1 |
| 2 | Shower arm | 1 | 14 | Panel | 1 |
| 3 | Shower arm cover | 1 | 15 | Main body | 1 |
| 4 | Hand shower | 1 | 16 | Bathtub spout body | 1 |
| 5 | Hand shower holder | 1 | 17 | Bathtub spout copper | 1 |
| 6 | Holder cover | 1 | 18 | Bathtub spout screw | 2 |
| 7 | Shower hose | 1 | 19 | Bathtub spout Wrench | 1 |
| 8 | Handle | 1 | 20 | Main body spare parts | 4 |
| 9 | Handle screw | 1 | 21 | Wrench | 1 |
| 10 | Handle cap | 1 | 22 | Instruction manual | 1 |
| 11 | Water diverter cap | 1 | 23 | Gloves | 2 |
| 12 | Water diverter screw | 1 | | | |

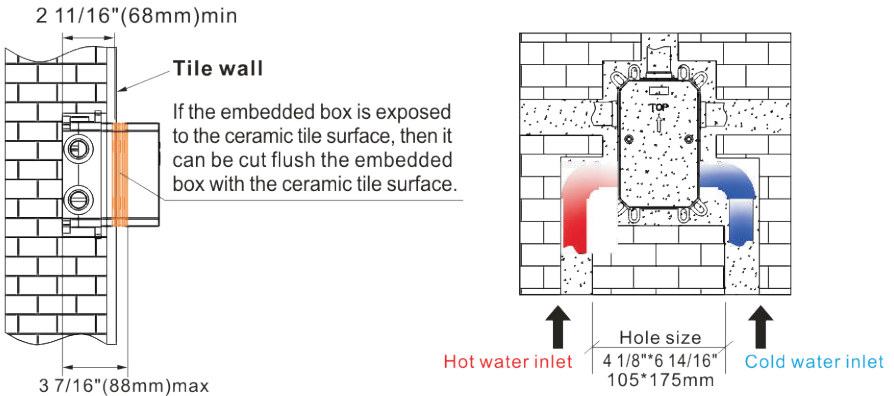
◆ Essential Dimensions & Water Pipe Line



◆ Installation Depth Of Shower Arm & Spout & Shower Holder

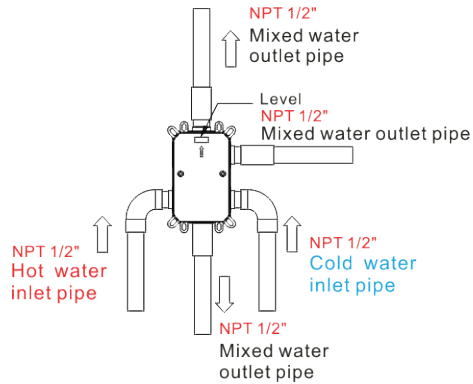


◆ **Installation Depth Of Main Body**



- Notice:** 1. The installation depth of main body should be no less than 2 11/16" (68mm) and no more than 3 7/16" (88mm), including the thickness of tile. Other wise, the panel cannot be installed.
2. The opening size of ceramic tile shall be smaller than the panel size

◆ **Piping Instructions Before Tiling**

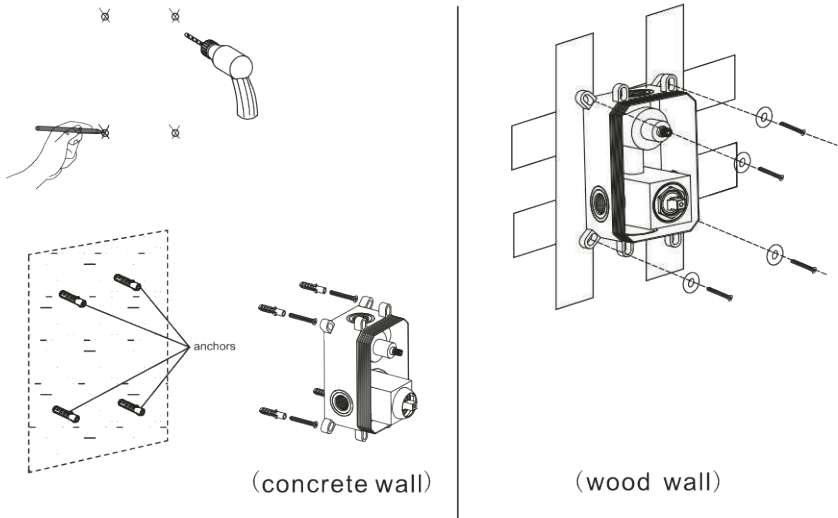


1. Connect the water pipes as illustrations. Please make sure the mark ↑ is facing upward.
2. Before tiling, turn on the water and pull the shower handle to check for leakages.



Warning: must install hot water and cold water inlet strictly as instructions.

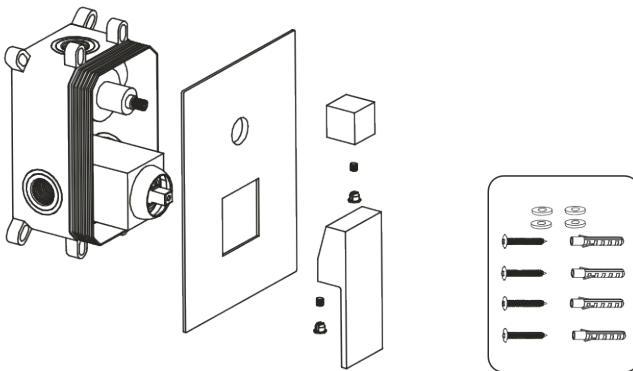
◆ Main Body Valve Installation



1. Make marks according to the size of the main body valve and then drill anchors into the wall (concrete wall)
2. Lock main body to wood directly with screws (wood wall)

▲ Please note that the level meter should be parallel with the wall, otherwise the panel cannot be installed.

◆ Main Body Valve Installation



Install the handle with the screw and handle cap.

◆ Shower Holder Installation Install The Hand Shower Holder

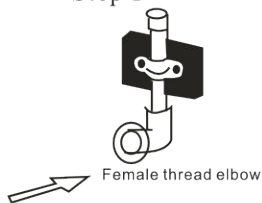
Step 3



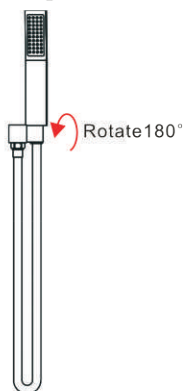
Step 2



Step 1



Step 4



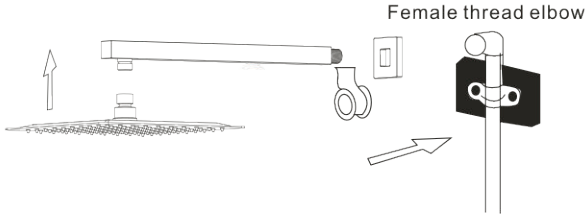
Step 1. Screw the thread into the water pipe inside the wall.

Step 2. Screw the hand shower holder with cover into the thread.

Step 3. Rotate and fix the holder with the wrench.

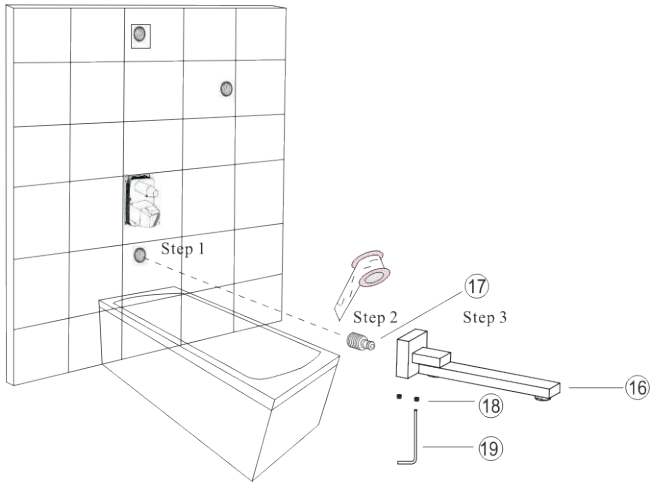
Step 4. Connect hand shower and the hose.

◆ Installation Of Rain Shower Head & Shower Arm



1. Connect shower arm with the cover before screwing arm into riser connection to prevent damage.
2. Fix shower head onto shower arm and apply tape to pipe threads on both ends.
3. Do not overtighten shower head. It is 360° swivel connection.

◆ Tub Spout Installation



- Step 1. Screw the thread into the water pipe inside the wall.
- Step 2. Screw the main body into the thread.
- Step 3. Rotate and fix the body with the special-shaped wrench.

◆ Clean And Maintenance

Do's

1. In order to keep the mixer surface bright, please clean the mixer regularly.
2. Rinse faucet with clean water and wipe it with soft cotton cloth.
3. Use one of the following cleaners to remove dirt on the surface:
 - a. Mild liquid cleaner.
 - b. Colorless glass cleaner and powder cleaner which does not cause abrasion and can be dissolved completely.
 - c. Polish liquid which does not cause abrasion.



Don'ts

- a. Avoid using cleaning powder, harsh cleaning chemicals, brushes and coarse cloth to prevent scratching and friction.
- b. Do not use acid cleaner to clean the faucet as it may cause surface corrosion of the faucet. If the faucet should be exposed to harmful acid substances, please rinse it with water immediately.