

THERMOSTATIC SHOWER Series INSTALLATION GUIDE



A



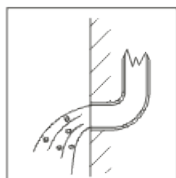
B

CONTENT

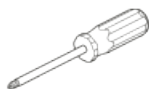
1. Installation Condition	1
2.3 Functions Thermostatic Shower Faucet Set (Model:A)	2
3.4 Functions Thermostatic Shower Faucet Set (Model:B)	12
4. Hand Shower Holder Installation	21
5. Clean And Maintenance	22

◆ Installation Condition

1. Check the Accessories List to verify that all parts are complete in this package.
2. Do not disassemble the main body by yourself.
3. Connect inlet pipes to supply valves.
4. Make sure inlet pipes and supply valves have been installed and cleaned, with no impurities in the pipeline.
5. After installation, check all joints for leakages.
6. Do not leave the rain shower system exposed to a severely corrosive environment.



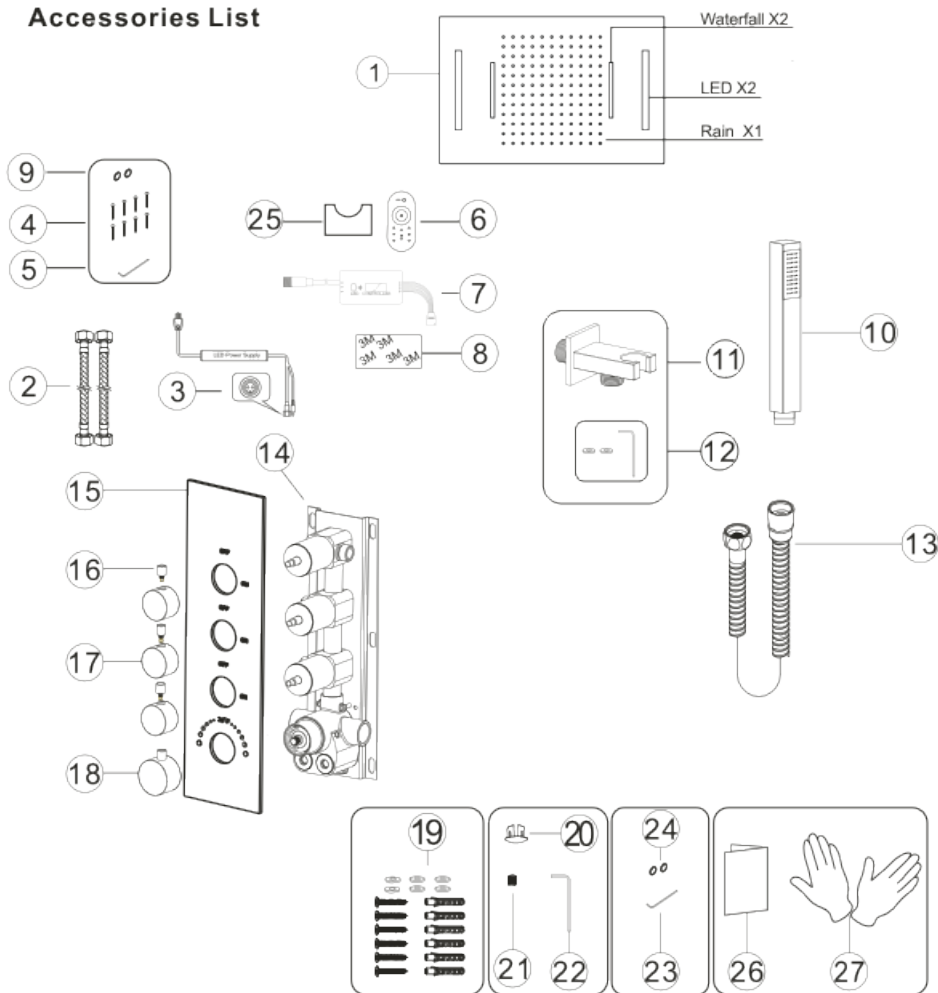
YOU MAY NEED:



◆ 3 Functions Thermostatic Shower Faucet Set

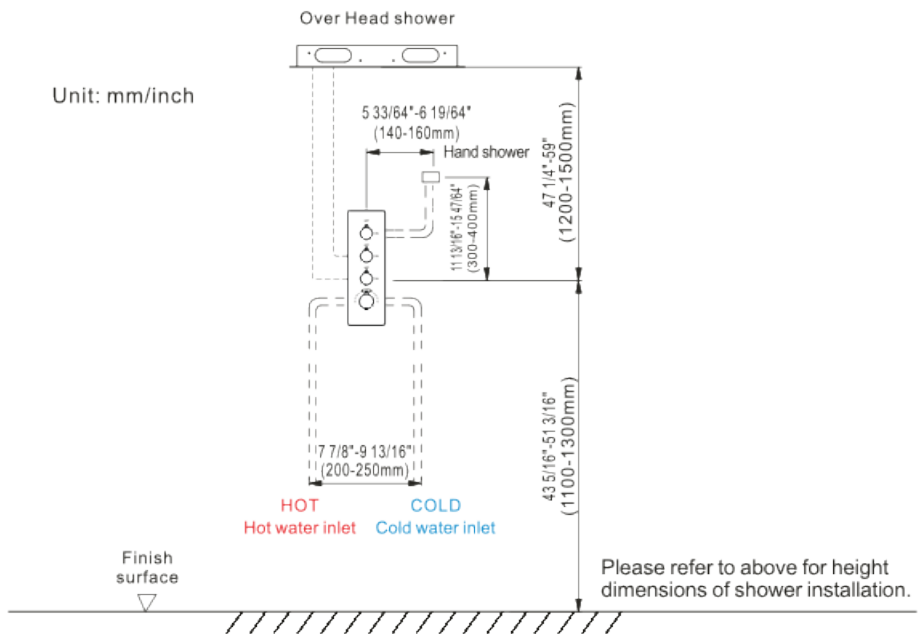
Model:A

Accessories List

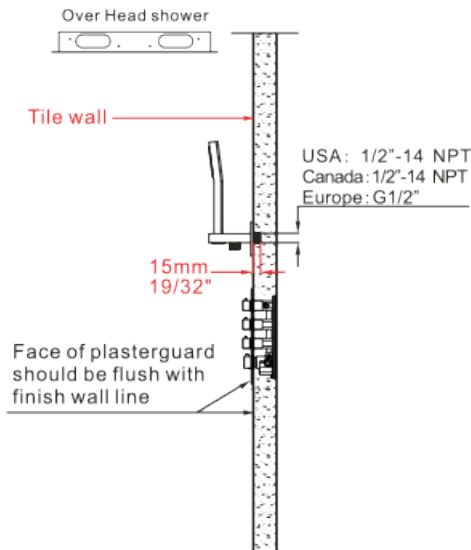


No.	Part name	Qty	No.	Part name	Qty	No.	Part name	Qty
1	Shower head body	1	11	Hand shower holder	1	21	Handle screw	1
2	Corrugated pipe	2	12	Holder parts	1	22	Hex wrench	1
3	Water proof power supply	1	13	Shower hose	1	23	Holder Wrench	1
4	Shower head screw	8	14	Main body	1	24	Holder spare O-ring	1
5	Shower head wrench	1	15	Deck plate	1	25	Controller pedestal	1
6	Controller	1	16	Water diverter rod	3	26	Instruction manual	1
7	Wifi controller	1	17	Water diverter	3	27	Gloves	2
8	Wifi controller tape	1	18	Handle	1			
9	Spare rubber washer	2	19	Main body spare parts	6			
10	Shower hand	1	20	Handle cap	1			

◆ Essential Dimensions & Pipe Line



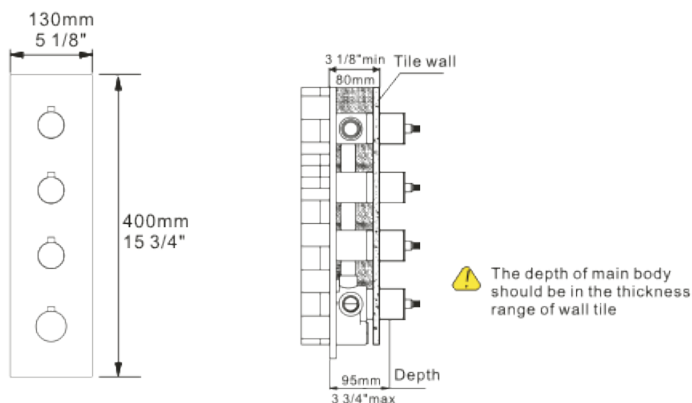
◆ Installation Depth Of Shower Holder



The installation depth of shower holder can't over 19/32" (15mm) so the thickness of tile must be calculated before installation.

◆ Installation Depth of Main Body

Unit:mm/inch

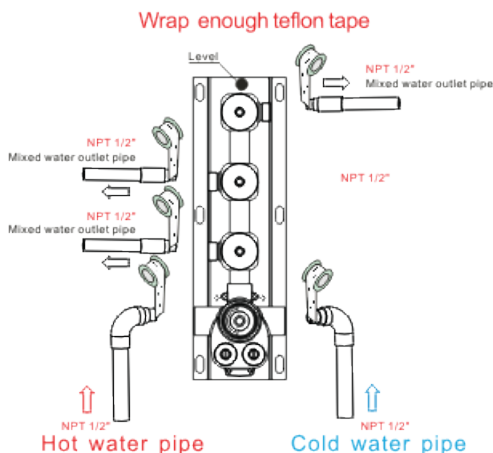


- Notice: 1.The installation depth of main body should be no less than 3 1/8"(80mm) and no more than 3 3/4"(95mm),including the thickness of tile.Other wise, the panel cannot be installed.
- 2.The opening size of ceramic tile shall be smaller than the deck plate size.

◆ Piping Instructions Before Tiling



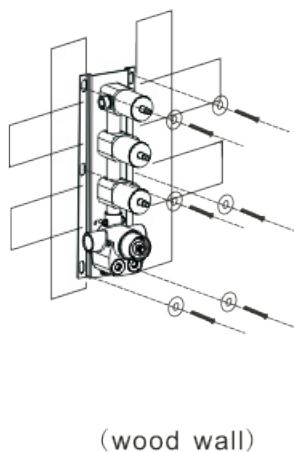
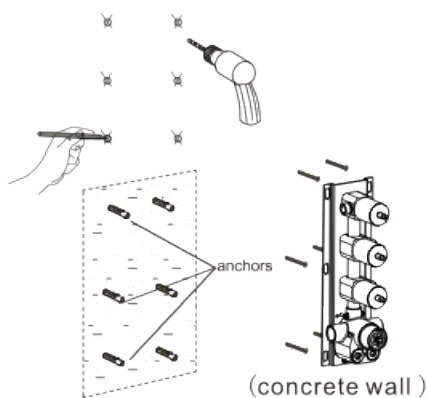
Warning: must install hot water and cold water inlet strictly as instructions.



1. As shown in the figure, the inlet and outlet pipes are pre-buried. Please pay attention to the correct direction of installing the pre-buried main body, and make sure that the mark level on the top of the installation box is facing upward.
2. Install the hot and cold water inlet pipes and three mixed water outlet pipes connected to shower head, hand shower holder and body jet pipes separately.
3. Before tiling, turn on the water to test whether the left and right inlet pipes are tightly connected without leakage. Then, adjust the flow switch to be on to check the mixed outlet pipes for leakages.

◆ Main Body Valve Installation

Step 1

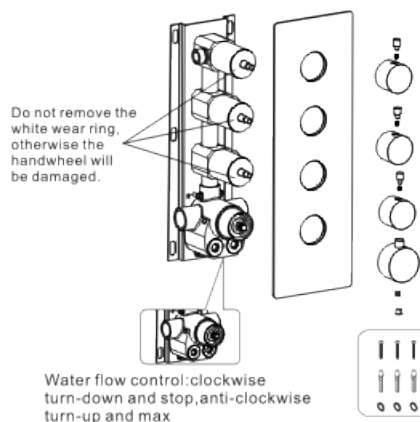


1. Make marks according to the size of the main body valve and then drill anchors into the wall (concrete wall)

2. Lock main body to wood directly with screws (wood wall)

▲ Please note that the level meter should be parallel with the wall, otherwise the panel cannot be installed.

Step 2

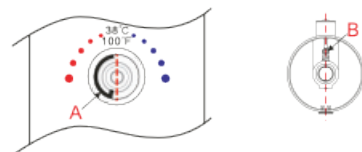


Precautions for handwheel installation

※1: The line can't misplace, it should be kept in a line, otherwise the water temperature of 100°F or 38°C will not be correct.



※2: Please ensure that A Plastic locating ring and B handwheel locating pin kept in the same line with 100°F or 38°C. Otherwise, the water temperature will be wrong.

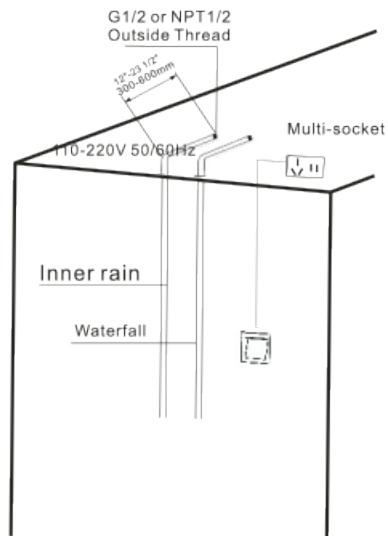


1. Please install deck plate, water diverters and water diverter rods step by step

2. Install the handle with the screw and handle cap.

◆ Plumbing Layout of Shower Head

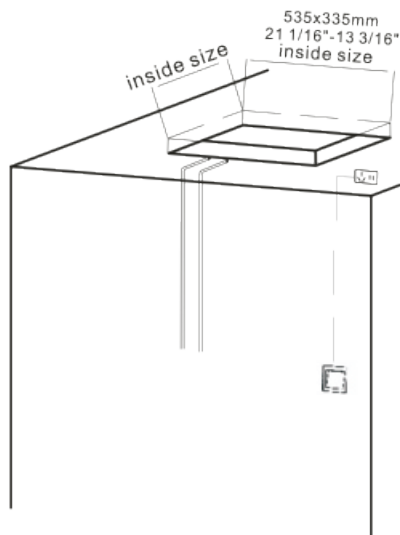
①



Install the power switch in the appropriate position, lay out water pipeline and connect it to the main body.

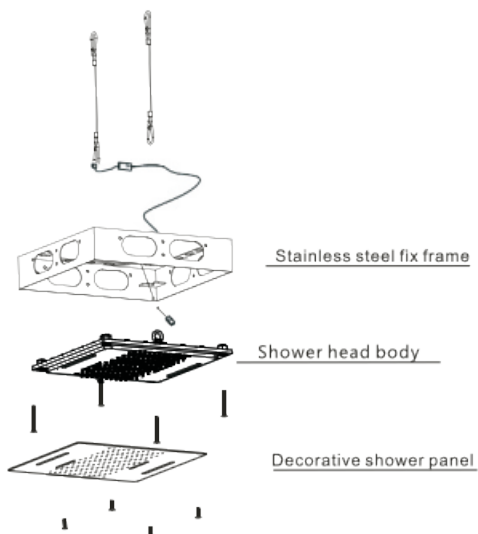
◆ Holes on Ceiling

②



◆ Shower Head Exploded View

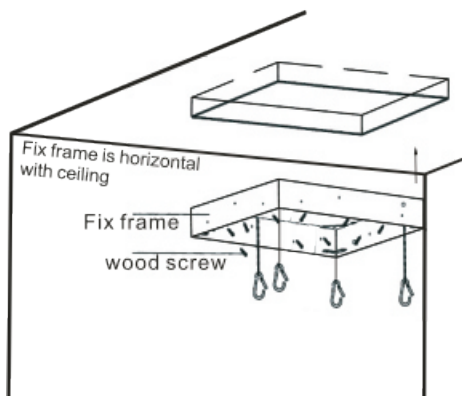
③



According to the mark (Remove Install) on the top of shower head panel, respectively unscrew the decorative shower panel, shower head body and fix frame.

◆ Fix Frame Installation

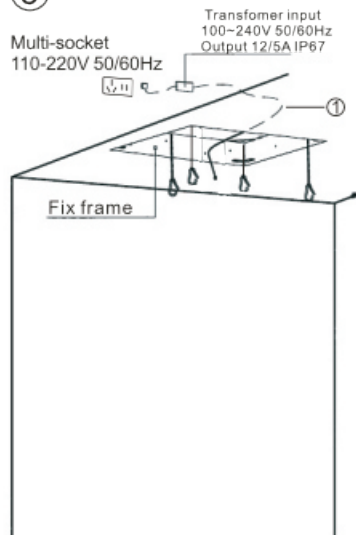
④



Fasten the fix frame to the wooden frame with 8 screws.

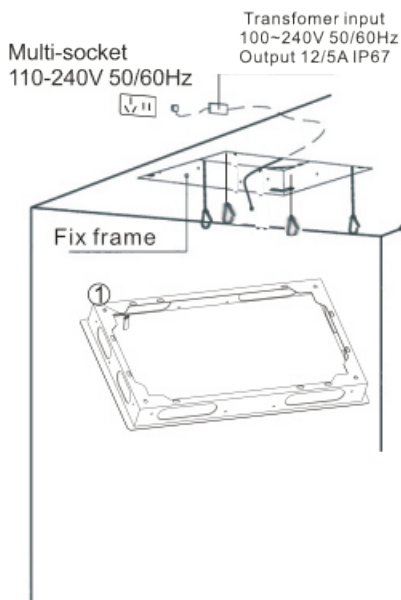
◆ Layout for Power

⑤

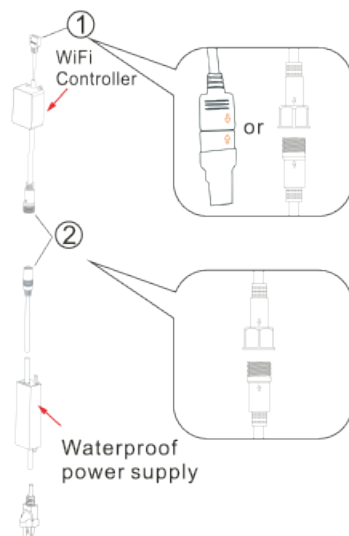


◆ LED (Single Line) Connection

⑥

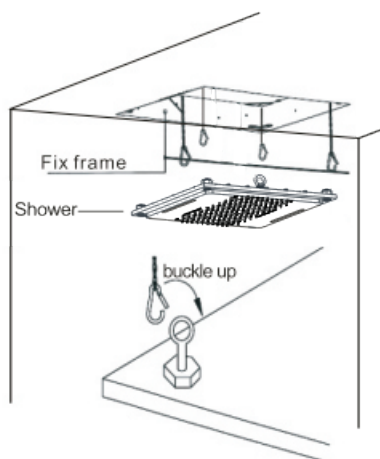


- ① to ① wifi controuer wrap it with adhesive tape to prevent it from falling off.
- ② to ② connect the Power supply and WiFi.



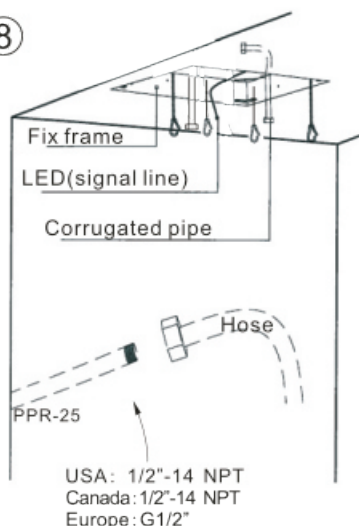
◆ Shower Head Body Installation

⑦



◆ Layout for Water Pipe

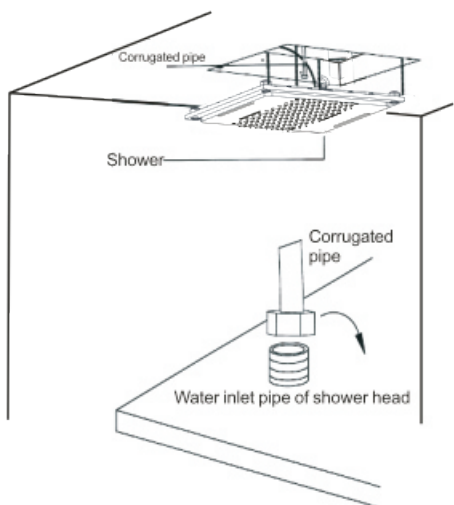
⑧



Connect one end of the corrugated pipe to the embedded PPR water pipe and the other end to the water inlet pipe on the back of shower head.

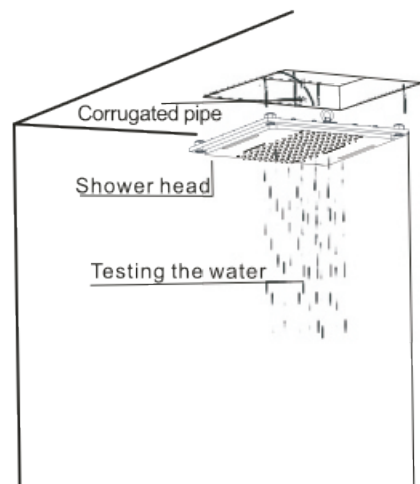
◆ Water Inlet Pipe Connection

⑨



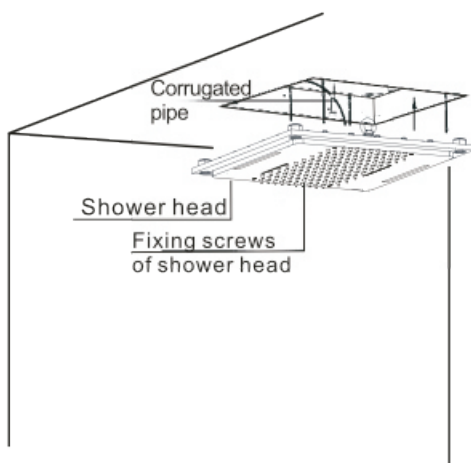
◆ Water Testing

⑩



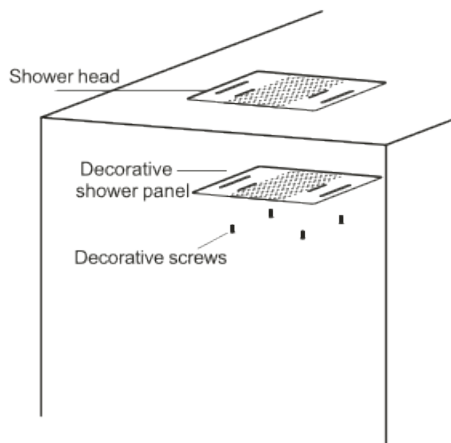
◆ Shower Head Installation

⑪



◆ Decorative Shower Panel Installation

⑫



◆ LED Touch Remote Instruction

Main parameter:

Panel controller:

Working Temp.: -20~60°C

Supply Voltage: DC12-24V

Size: L50*W35*H23mm

1 15/16" * 1 6/16" * 14/16"

Output: 3 channels

Output Current: <2A (each channel)

Connection mode: common anode

Touch Remote:

Working voltage: 1.5V*3V

Emission current: 10mA

Working Current: 300uA

Standby Current: 3uA

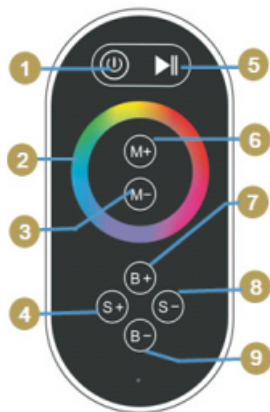
Standby time: 6 months

Control Distance: 20M

Color pulley point: 60



Touch remote has 9 touch keys, with each functioning as follows:



- ① Turn ON/OFF
- ⑤ Mode Switch
- ② Color Touch Ring
- ③/⑥ Color Temperature adjusting
- ④/⑧ Dynamic Speed adjusting
- ⑦/⑨ Dynamic Brightness adjusting

Mode:

NO.	FUNCTION	REMOTE
1	Static red	Brightness is adjustable Speed is unadjustable
2	Static green	
3	Static blue	
4	Static purple	
5	Static blue-green	
6	Static yellow	
7	Static white	
8	R G B Jumping	Brightness is adjustable Speed is adjustable
9	R G B Gradual	
10	7-Colors Jumping	
11	7-Colors Gradual	

2. Power supply management:

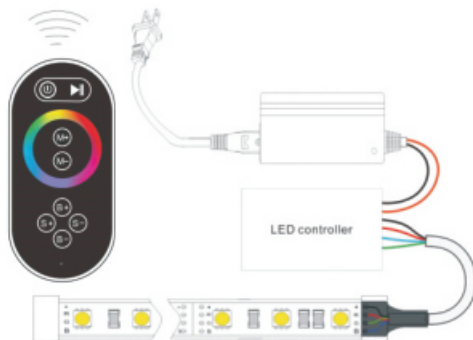
The remote will enter the standby state (untouchable state) when pressed for more than 20s. If it happens, please slightly shake it once and then the remote will come back to the normal working state (touchable state).

3. Indicator light instruction:

3.1. The remote is idle or sending signal when the PWR is bright; when the PWR is off, it will enter the standby state.

3.2. When RF is bright, it means the remote is sending signal; off means there is no signal sending.

Controller connections shown:



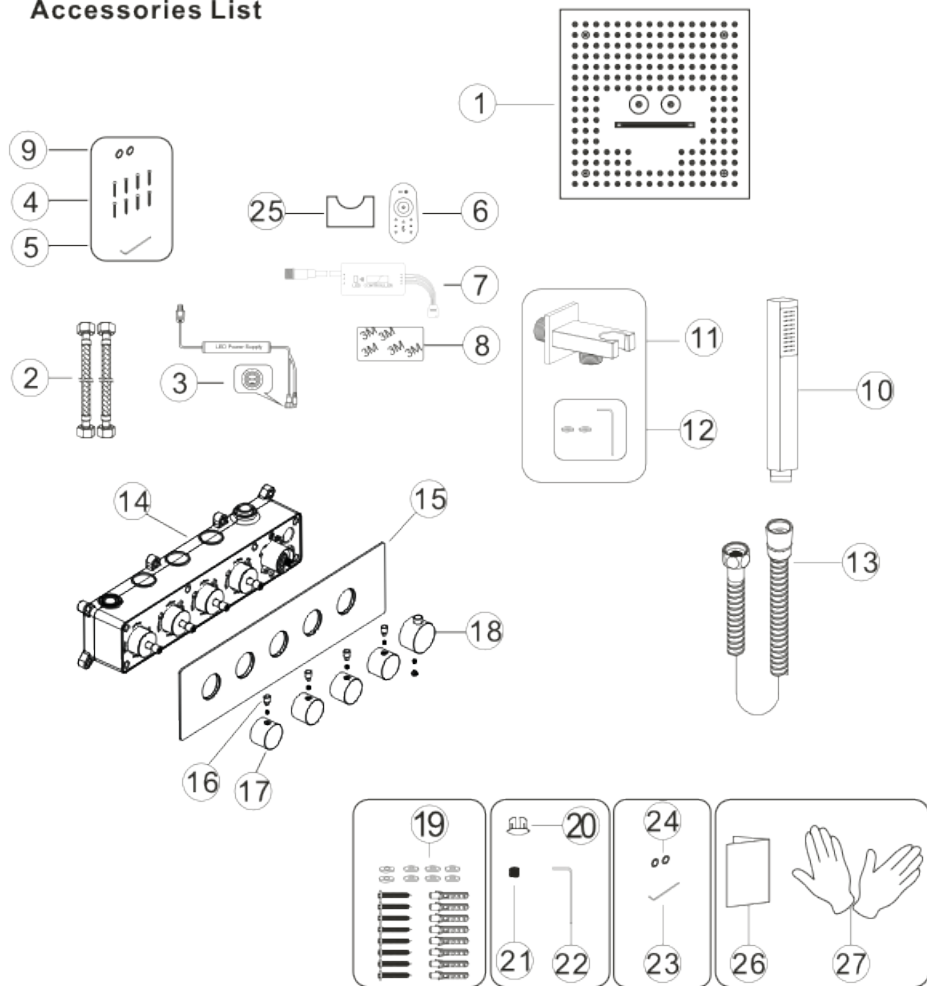
Remarks:

1. This product should be commissioned and installed by qualified personnel.
2. This product can not be waterproof, need to avoid sun and rain, if installed outdoors, please use waterproof box.
3. Good heat dissipation conditions will extend the life of the LED controller, please install the product in a well-ventilated environment.
4. Please do not install or use such products in lightning, thunder, strong magnetic or high voltage applications.
5. Please check whether the output voltage of the LED power supply used meets the product voltage range requirements.
6. The diameter of the wire used must be sufficient to load the connected LED luminaire, and ensure that the wiring is firm, to avoid the wire overheating or poor contact triggers the accident.
7. Before power-on debugging, ensure that all wiring is correct to avoid damage to the luminaire due to wiring errors.

◆ 4 Functions Thermostatic Shower Faucet Set

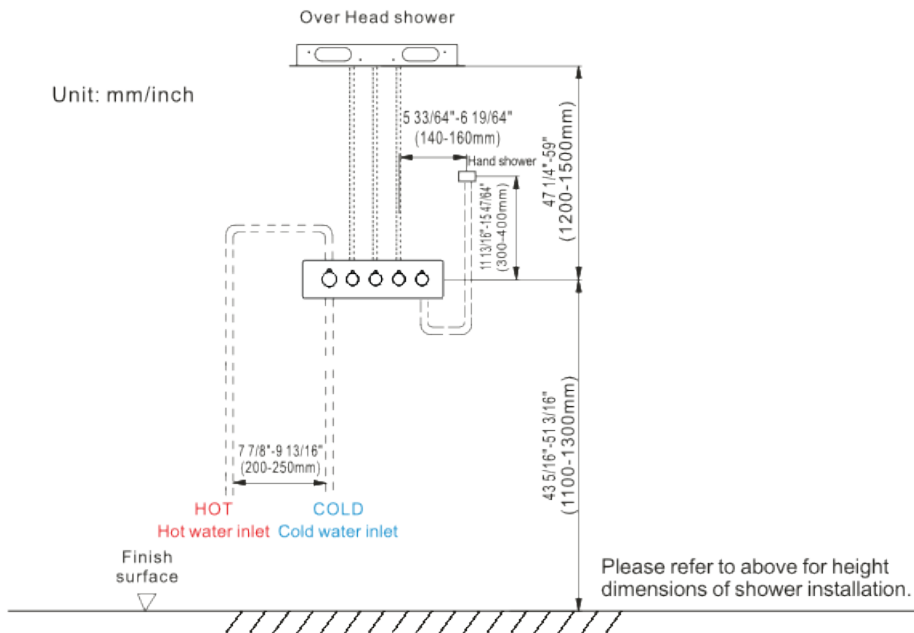
Model: B

Accessories List

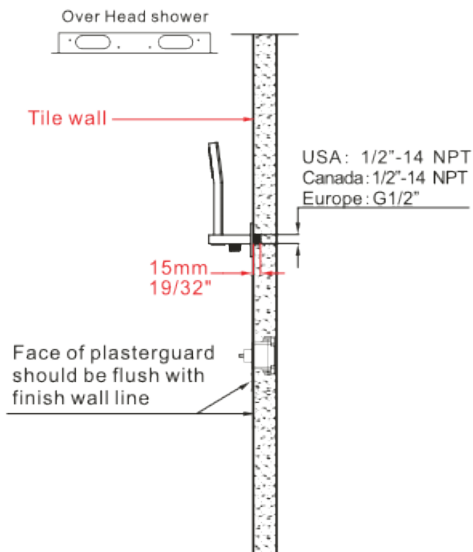


No.	Part name	Qty	No.	Part name	Qty	No.	Part name	Qty
1	Shower head body	1	11	Hand shower holder	1	21	Handle screw	1
2	Corrugated pipe	2	12	Holder parts	1	22	Hex wrench	1
3	Water proof power supply	1	13	Shower hose	1	23	Holder Wrench	1
4	Shower head screw	8	14	Main body	1	24	Holder spare O-ring	1
5	Shower head wrench	1	15	Deck plate	1	25	Controller pedestal	1
6	Controller	1	16	Water diverter rod	4	26	Instruction manual	1
7	Wifi controller	1	17	Water diverter	4	27	Gloves	2
8	Wifi controller tape	1	18	Handle	1			
9	Spare rubber washer	2	19	Main body spare parts	8			
10	Shower hand	1	20	Handle cap	1			

◆ Essential Dimensions & Pipe Line



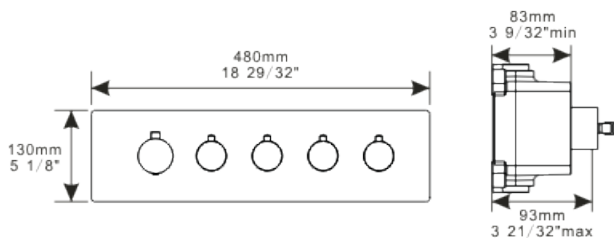
◆ Installation Depth Of Shower Holder



The installation depth of shower holder can't over 19/32" (15mm) so the thickness of tile must be calculated before installation.

◆ Installation Depth Of Main Body

Unit: mm/inch



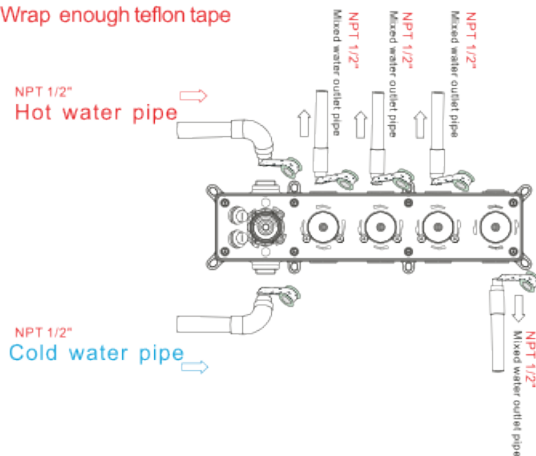
⚠ The depth of main body should be in the thickness range of wall tile

- Notice:** 1. The installation depth of main body should be no less than 3 9/32" (83mm) and no more than 3 21/32" (93mm), including the thickness of tile.
2. The opening size of ceramic tile shall be smaller than the deck plate size.

◆ Piping Instructions Before Tiling

⚠ Warning: must install hot water and cold water inlet strictly as instructions.

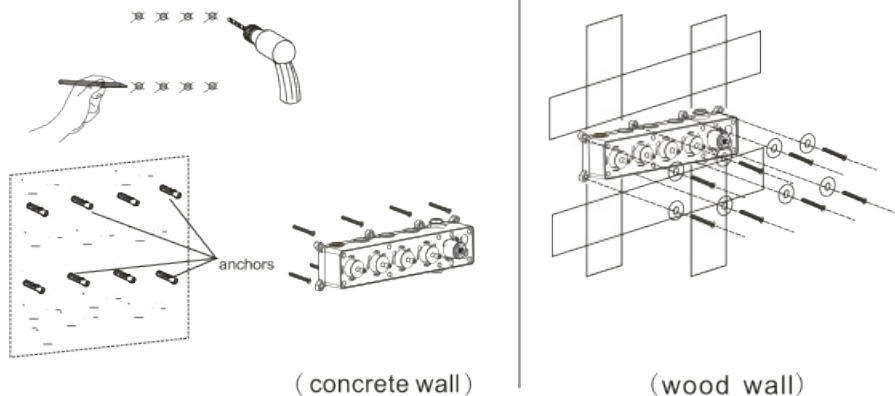
Wrap enough teflon tape



1. As shown in figure, the inlet and outlet pipes are pre-buried. Please pay attention to the correct direction of installing the pre-buried main body, and make sure that the mark level on the top of the installation box is facing upward.
2. Install the hot and cold water inlet pipes and three mixed water outlet pipes connected to shower head, hand shower holder and body jet pipes separately.
3. Before tiling, turn on the water to test whether the left and right inlet pipes are tightly connected without leakage. Then, adjust the flow switch to be on to check the mixed outlet pipes for leakages.

◆ Main Body Valve Installation

Step1



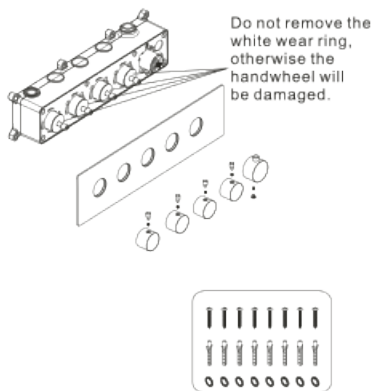
1. Make marks according to the size of the main body valve and then drill anchors into the wall (concrete wall)

2. Lock main body to wood directly with screws (wood wall)

▲ Please note that the level meter should be parallel with the wall, otherwise the panel cannot be installed.

◆ Main Body valve installation

Step2

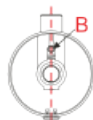
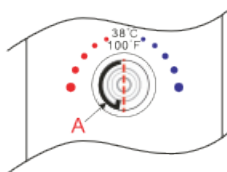


Precautions for handwheel installation

※1: The line can't misplace, it should be kept in a line, otherwise the water temperature of 100°F or 38°C will not be correct.



※2: Please ensure that A Plastic locating ring and B handwheel locating pin kept in the same line with 100°F or 38°C. Otherwise, the water temperature will be wrong.

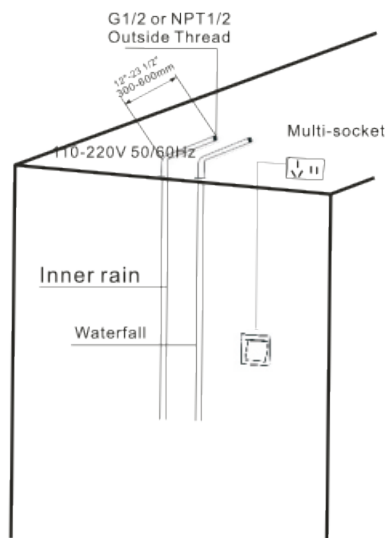


1. Please install deck plate, water diverters and water diverter rods step by step and Remove the transparent protective cover.

2. Install the handle with the screw and handle cap.

◆ Plumbing Layout of Shower Head

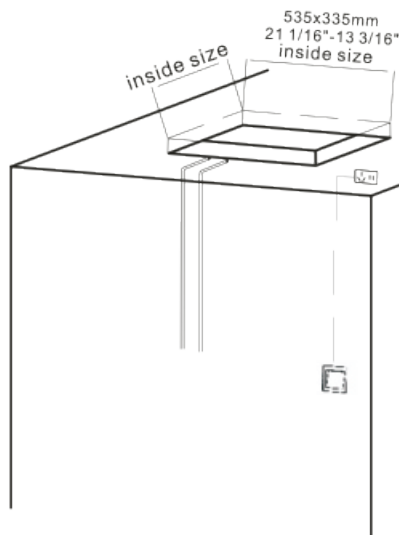
①



Install the power switch in the appropriate position, lay out water pipeline and connect it to the main body.

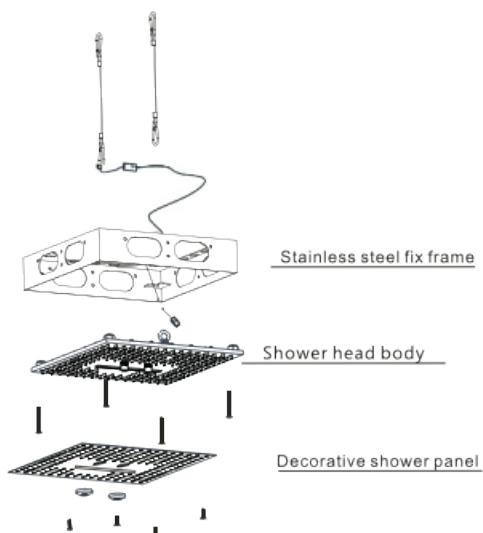
◆ Holes on Ceiling

②



◆ Shower Head Exploded View

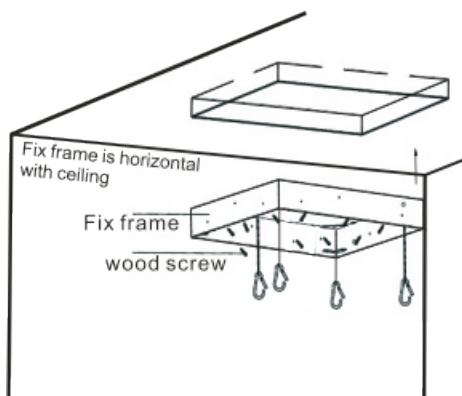
③



According to the mark (Remove Install) on the top of shower head panel, respectively unscrew the decorative shower panel, shower head body and fix frame.

◆ Fix Frame Installation

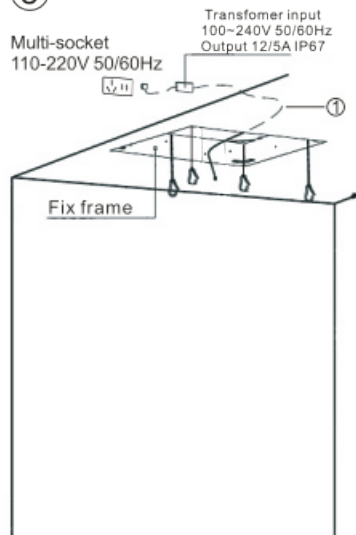
④



Fasten the fix frame to the wooden frame with 8 screws.

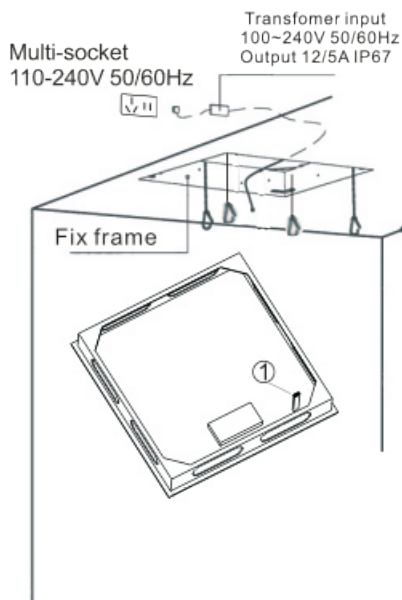
◆ Layout for Power

⑤

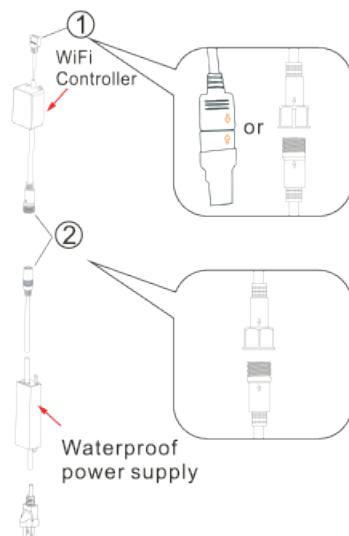


◆ LED (Single Line) Connection

⑥

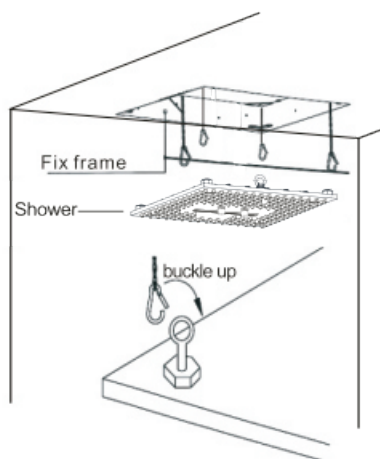


- ① to ① wifi controuer wrap it with adhesive tape to prevent it from falling off.
② to ② connect the Power supply and WiFi.

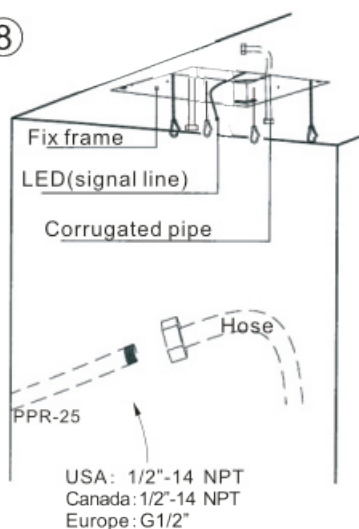


◆ Shower Head Body Installation ◆ Layout for Water Pipe

⑦



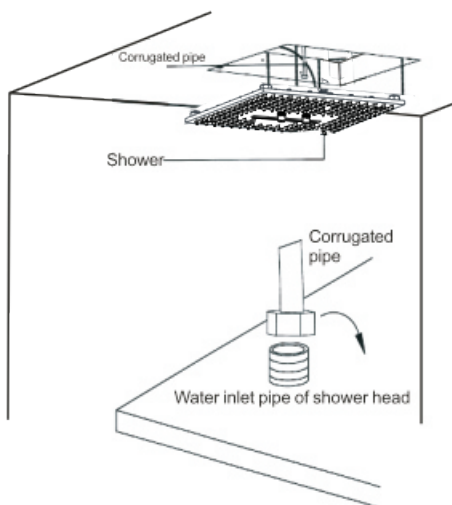
⑧



Connect one end of the corrugated pipe to the embedded PPR water pipe and the other end to the water inlet pipe on the back of shower head.

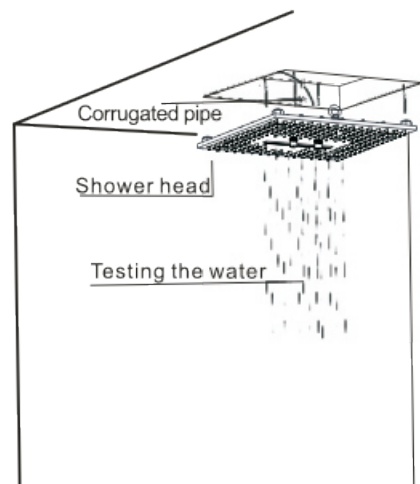
◆ Water Inlet Pipe Connection

⑨



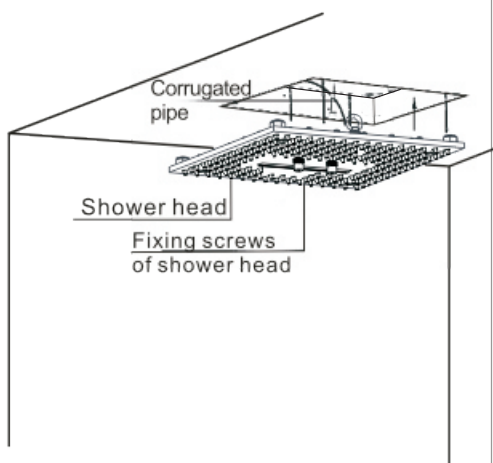
◆ Water Testing

⑩



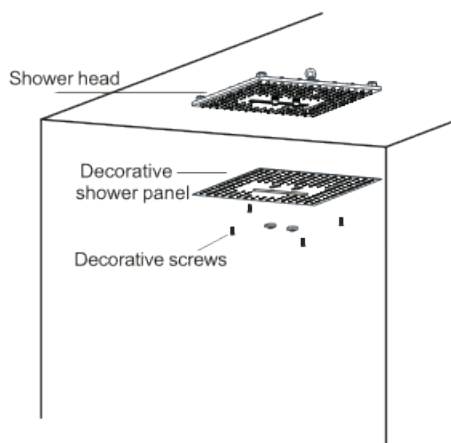
◆ Shower Head Installation

⑪



◆ Decorative Shower Panel Installation

⑫



◆ LED Touch Remote Instruction

Main parameter:

Panel controller:

Working Temp.: -20~60°C

Supply Voltage: DC12-24V

Size: L50*W35*H23mm

1 15/16" * 1 6/16" * 14/16"

Output: 3 channels

Output Current: <2A (each channel)

Connection mode: common anode

Touch Remote:

Working voltage: 1.5V*3V

Emission current: 10mA

Working Current: 300uA

Standby Current: 3uA

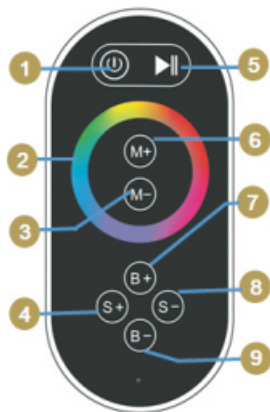
Standby time: 6 months

Control Distance: 20M

Color pulley point: 60



Touch remote has 9 touch keys, with each functioning as follows:



- ① Turn ON/OFF
- ⑤ Mode Switch
- ② Color Touch Ring
- ③/⑥ Color Temperature adjusting
- ④/⑧ Dynamic Speed adjusting
- ⑦/⑨ Dynamic Brightness adjusting

Mode:

NO.	FUNCTION	REMOTE
1	Static red	Brightness is adjustable Speed is unadjustable
2	Static green	
3	Static blue	
4	Static purple	
5	Static blue-green	
6	Static yellow	
7	Static white	
8	R G B Jumping	Brightness is adjustable Speed is adjustable
9	R G B Gradual	
10	7-Colors Jumping	
11	7-Colors Gradual	

2. Power supply management:

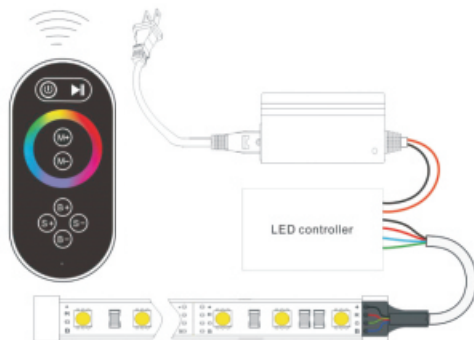
The remote will enter the standby state (untouchable state) when pressed for more than 20s. If it happens, please slightly shake it once and then the remote will come back to the normal working state (touchable state).

3. Indicator light instruction:

3.1. The remote is idle or sending signal when the PWR is bright; when the PWR is off, it will enter the standby state.

3.2. When RF is bright, it means the remote is sending signal; off means there is no signal sending.

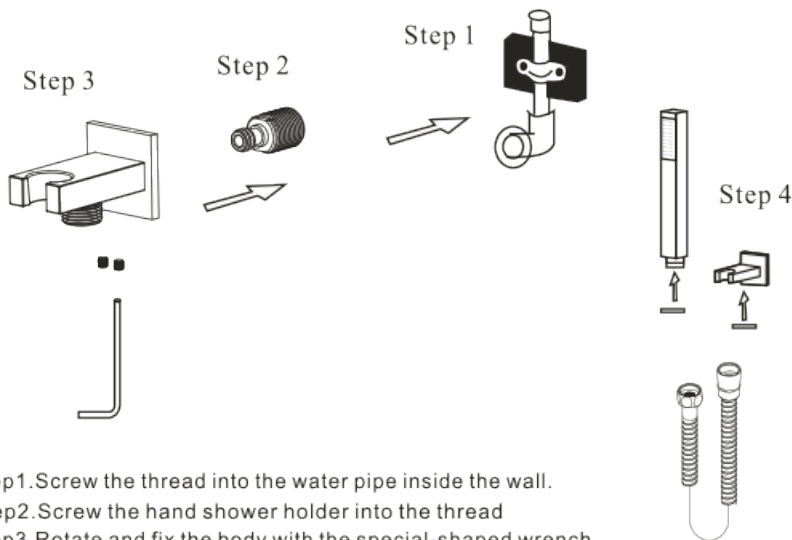
Controller connections shown:



Remarks:

1. This product should be commissioned and installed by qualified personnel.
2. This product can not be waterproof, need to avoid sun and rain, if installed outdoors, please use waterproof box.
3. Good heat dissipation conditions will extend the life of the LED controller, please install the product in a well-ventilated environment.
4. Please do not install or use such products in lightning, thunder, strong magnetic or high voltage applications.
5. Please check whether the output voltage of the LED power supply used meets the product voltage range requirements.
6. The diameter of the wire used must be sufficient to load the connected LED luminaire, and ensure that the wiring is firm, to avoid the wire overheating or poor contact triggers the accident.
7. Before power-on debugging, ensure that all wiring is correct to avoid damage to the luminaire due to wiring errors.

◆ **Hand Shower Holder Installation**

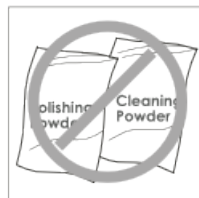


- Step1. Screw the thread into the water pipe inside the wall.
Step2. Screw the hand shower holder into the thread
Step3. Rotate and fix the body with the special-shaped wrench.
Step4. Connect hand shower and the hose.

◆ Clean and Maintenance

Do's

1. In order to keep the mixer surface bright, please clean the mixer regularly.
2. Rinse faucet with clean water and wipe it with soft cotton cloth.
3. Use one of the following cleaners to remove dirt on the surface:
 - a. Mild liquid cleaner.
 - b. Colorless glass cleaner and powder cleaner which does not cause abrasion and can be dissolved completely.
 - c. Polish liquid which does not cause abrasion.



Don'ts

- a. Avoid using cleaning powder, harsh cleaning chemicals, brushes and coarse cloth to prevent scratching and friction.
- b. Do not use acid cleaner to clean the faucet as it may cause surface corrosion of the faucet. If the faucet should be exposed to harmful acid substances, please rinse it with water immediately.