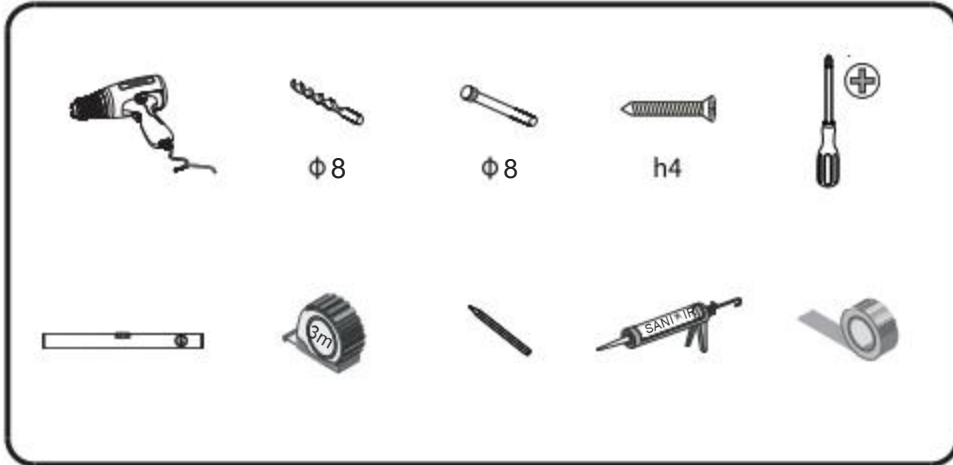




Installation Manual

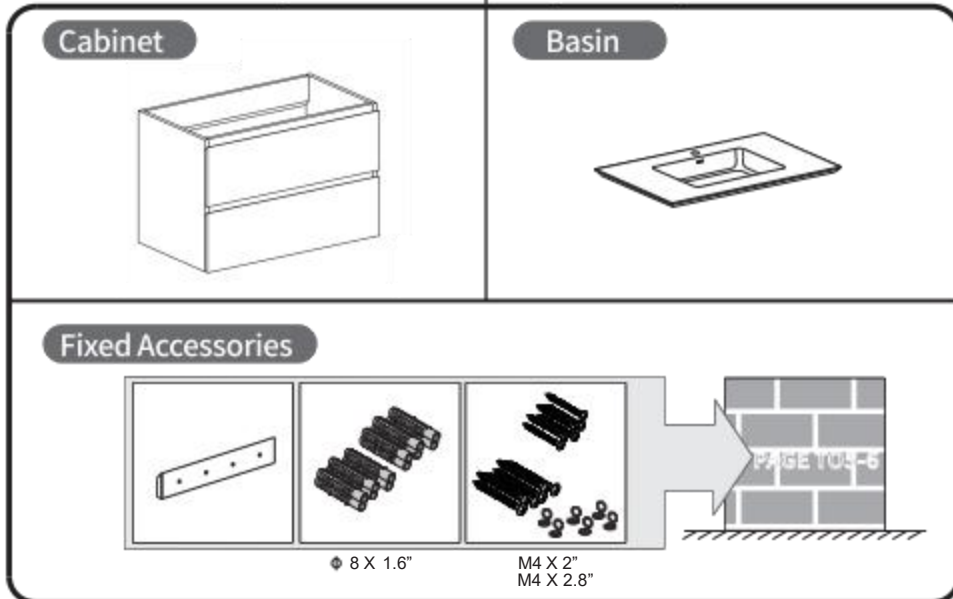
1、 Parts List	01
2、 Installation instructions	03
3、 Installation Instructions	05
4、 Installation & adjustment of drawer	07
5、 The way to take off the drawer	08

Tools List



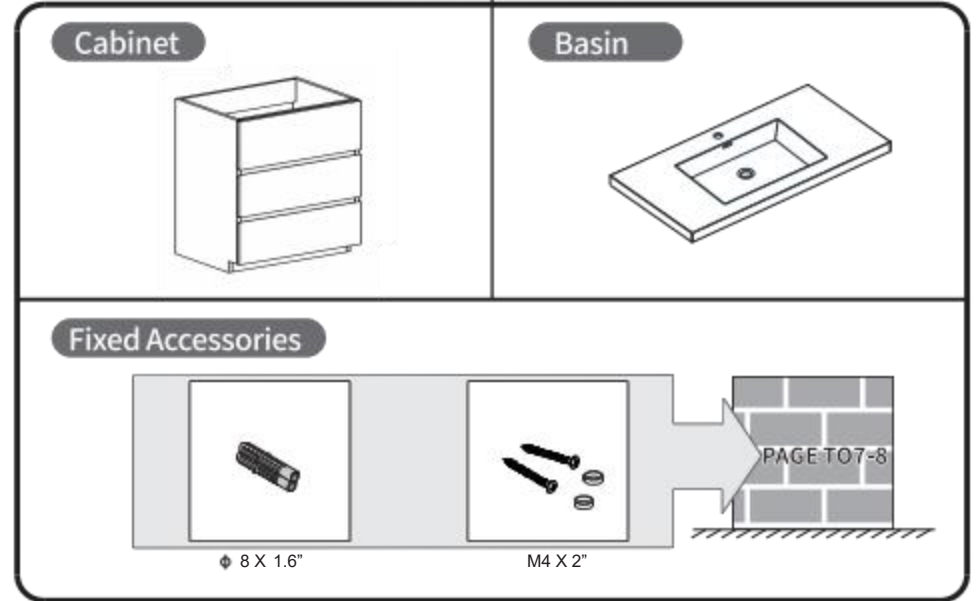
Parts List

Wall mounted system

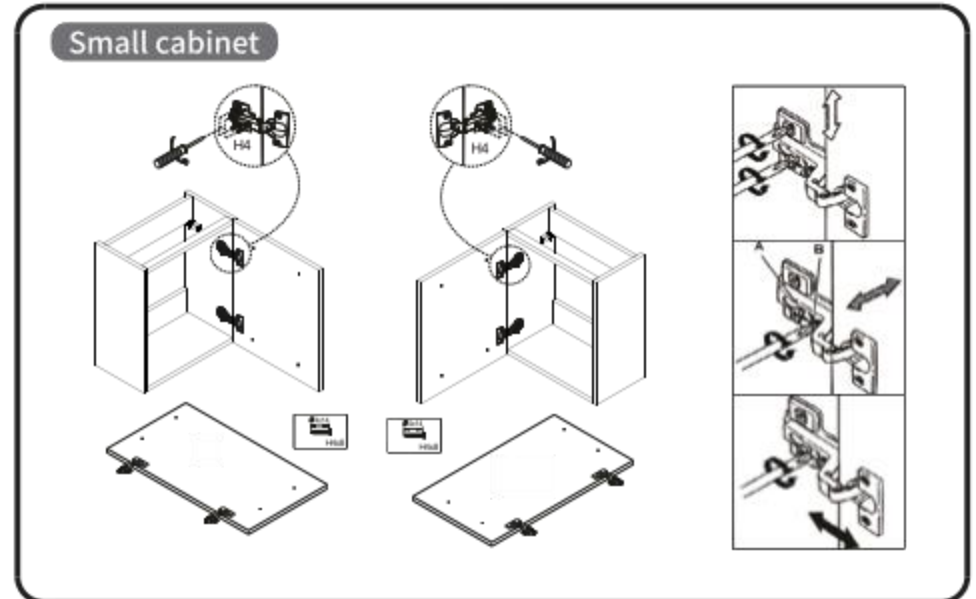


Parts List

Floor standing system

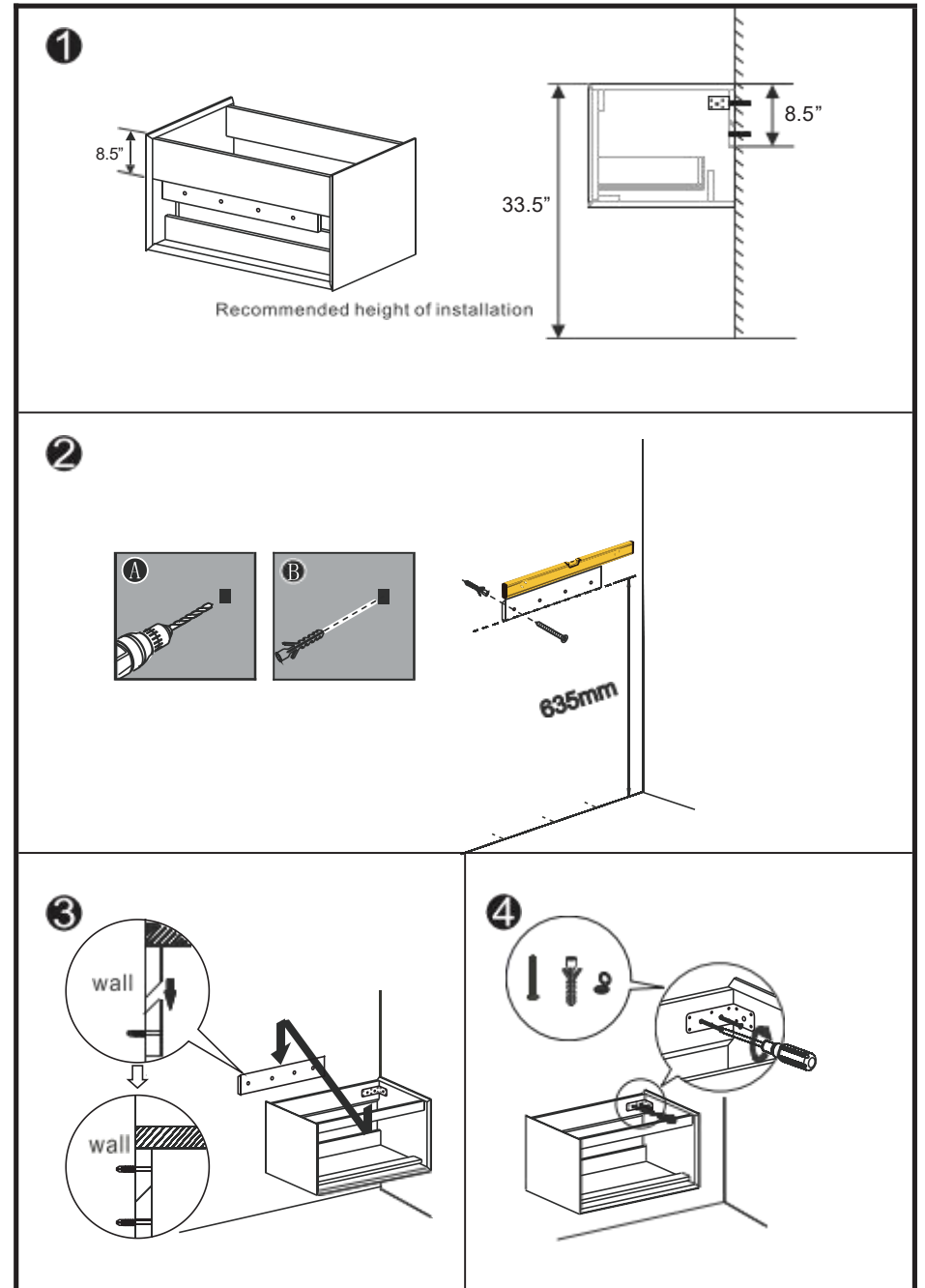
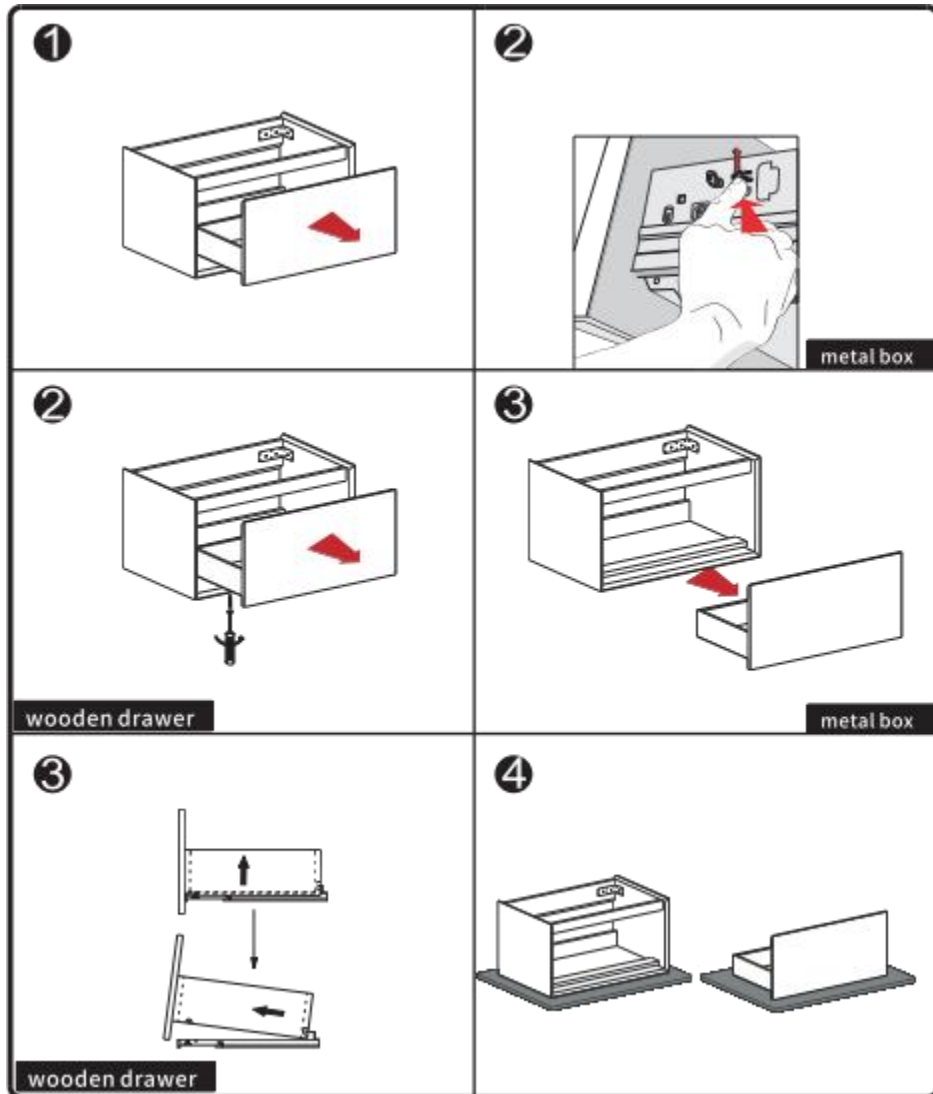


Installation & Adjustment of door



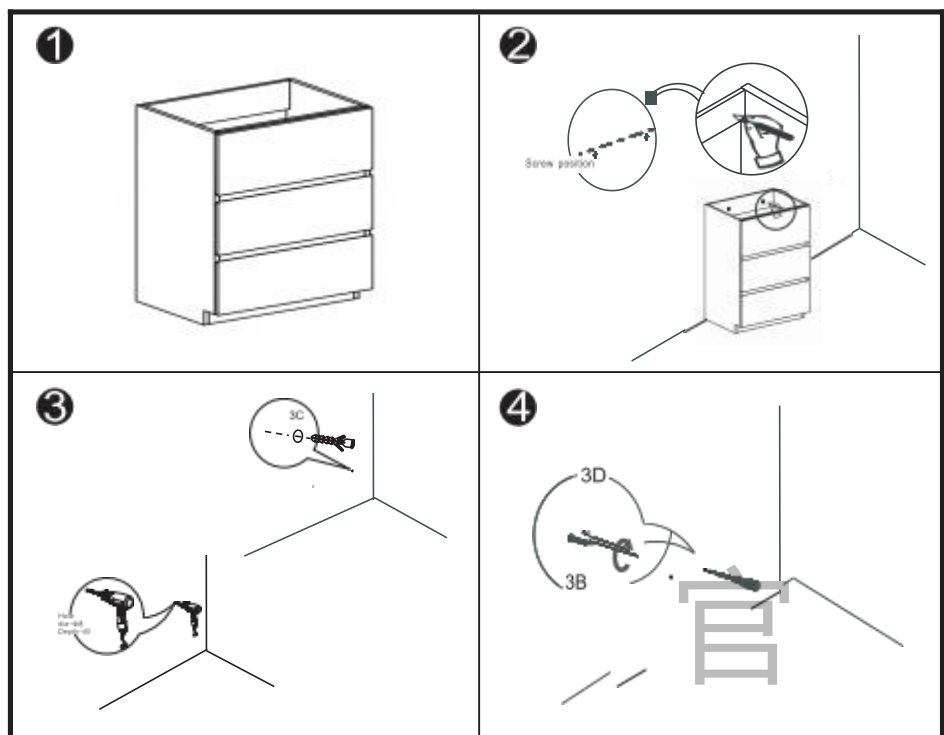
Installation Instructions

Wall mounted system

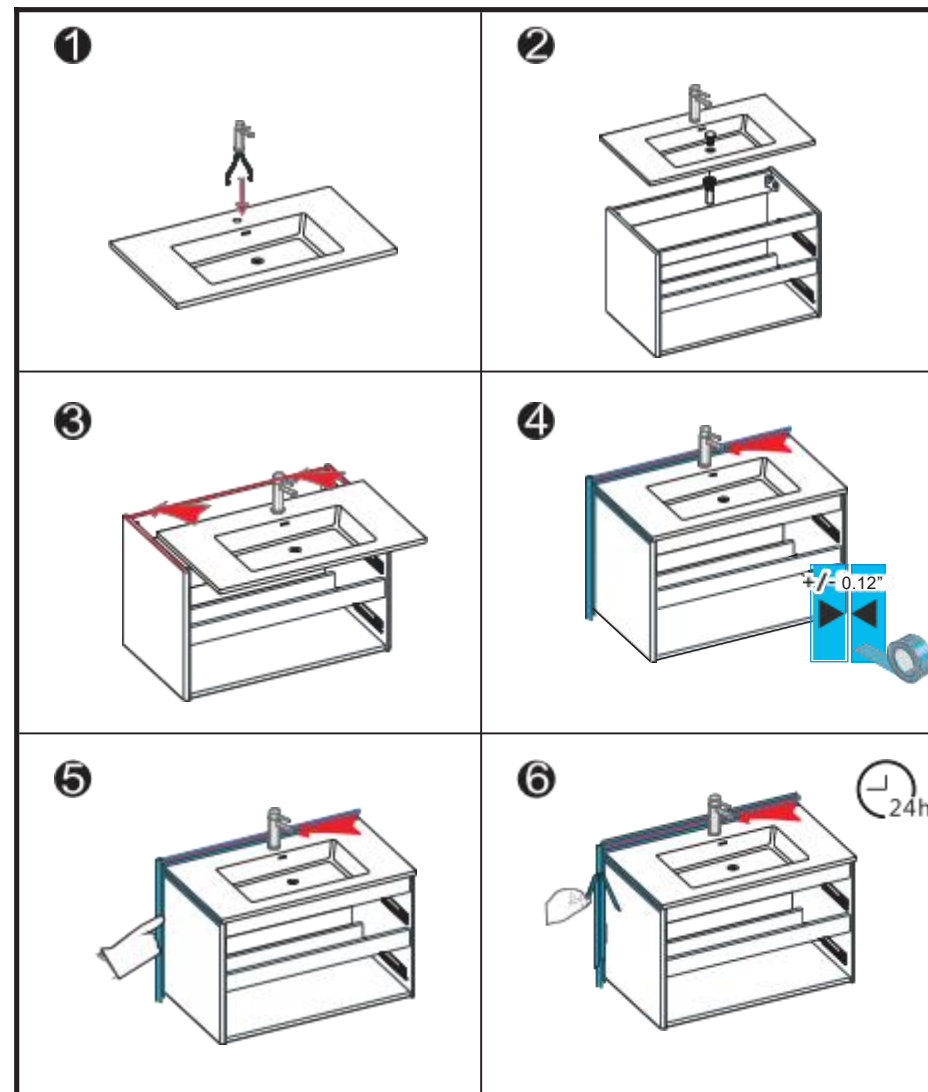


Installation Instructions

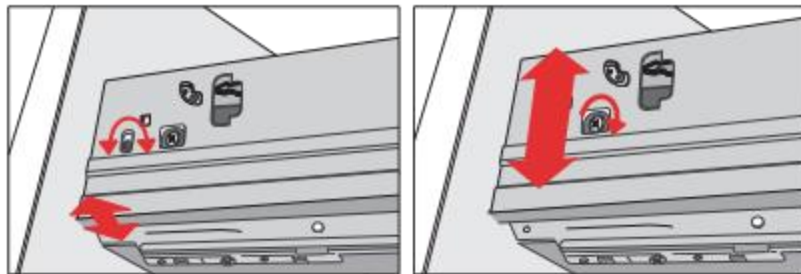
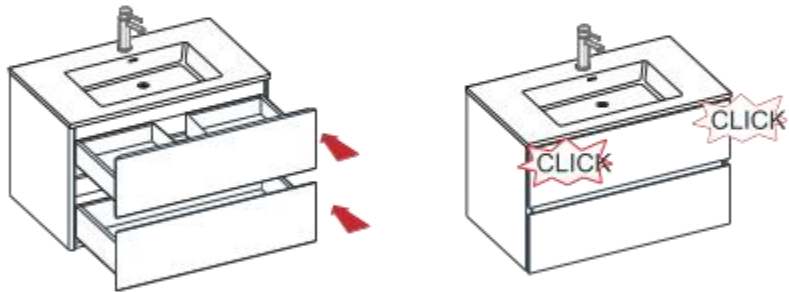
Floor standing system



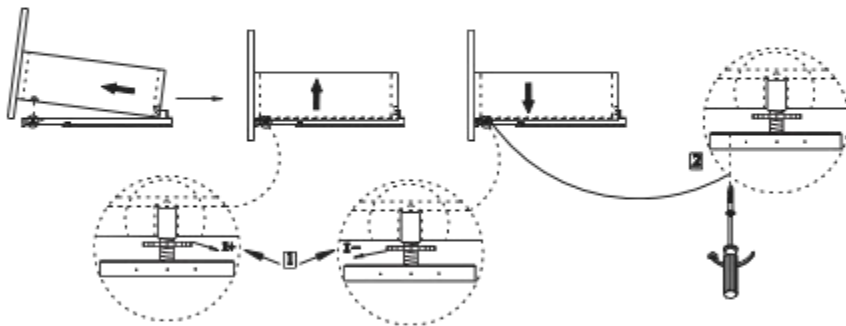
Installation Instructions



Installation & adjustment of drawer

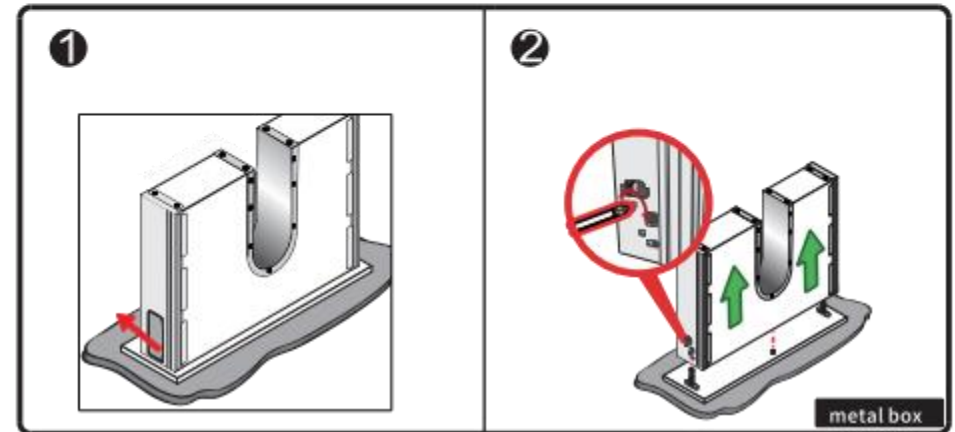


metal box

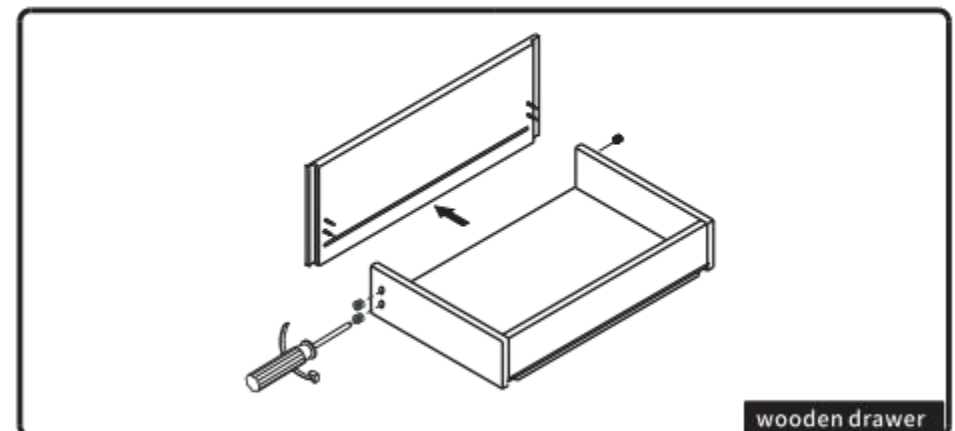


wooden drawer

The way to take off the drawer



metal box



wooden drawer