

# IMPORTANT INSTRUCTIONS & OPERATING MANUAL



## Luxey42,Luxey 50,Luxey 50 WH, Luxey 60,Luxey 72,Luxey 84,Luxey 95



### WARNING

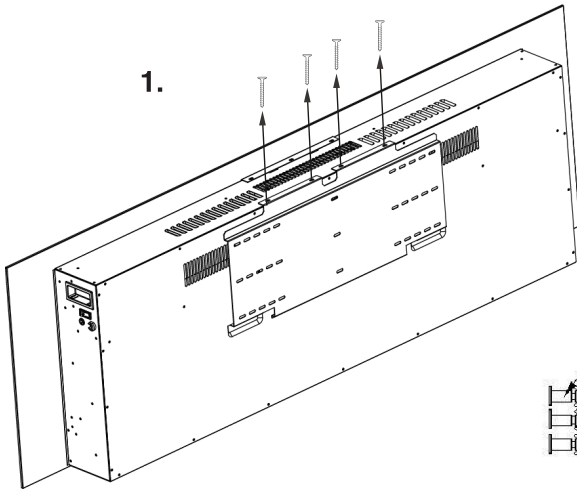
Read and understand this entire owner's manual, including all safety information, before plugging in or using this product. Failure to do so could result in fire, electric shock, or serious personal injury.

### CAUTION

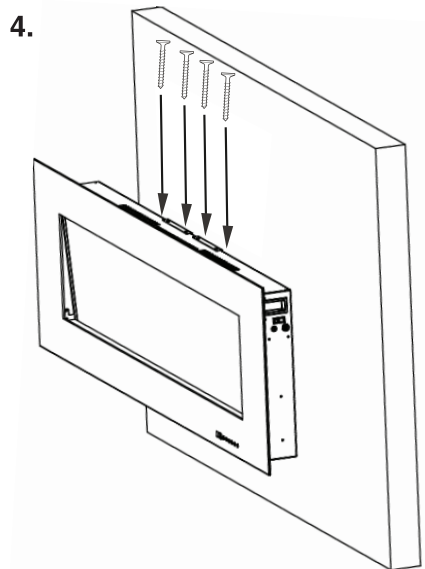
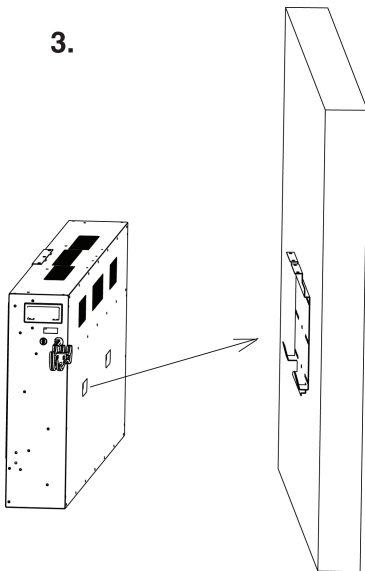
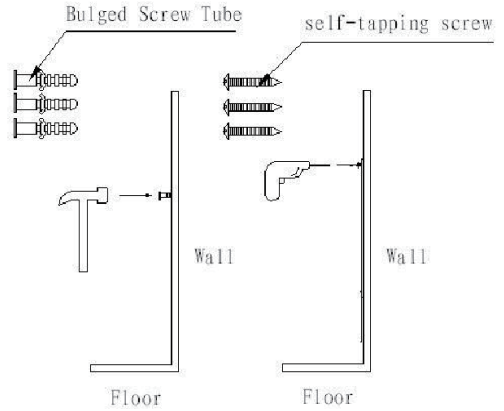
Keep this owner's manual for future reference. If you sell or give this product away, make sure this manual accompanies this product.

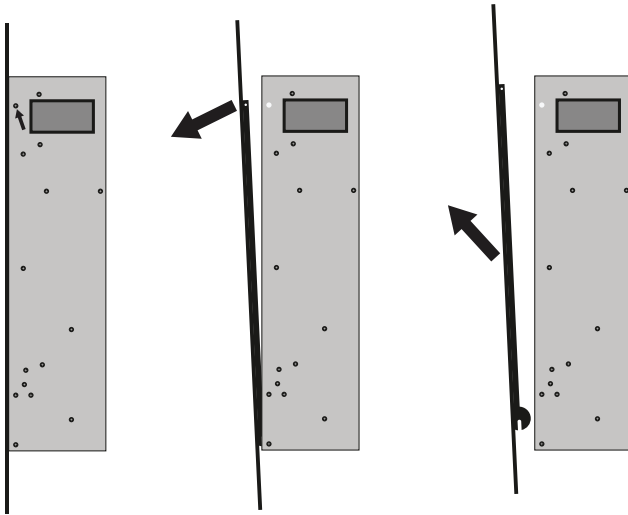
**NO VENTING REQUIRED**  
120V AC; 60 Hz; 1500 Watts





2. First make the bulged screw tube on the wall, second put the wall hanging on the wall, third fix the wall hanging by self-tapping screws.

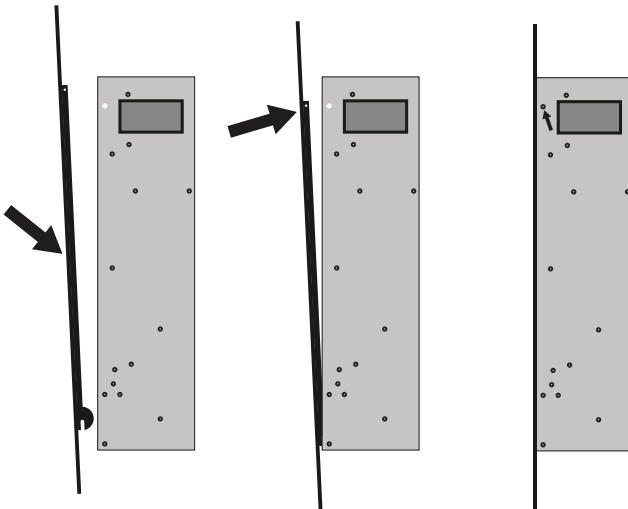
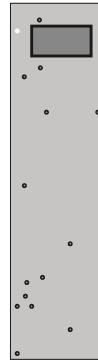




Used for Lexey 42, Lexey 60



Used for Lexey 72, Lexey 95

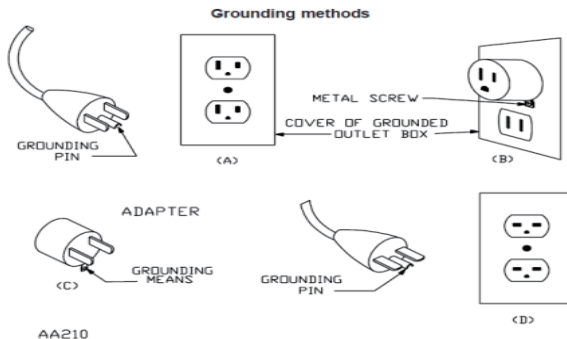




## IMPORTANT INSTRUCTIONS

1. Read all instructions before installing or using this heater
2. This heater is hot when in use. To avoid burns, do not let bare skin touch hot surfaces. Keep combustible materials, such as furniture, pillows, bedding, papers, clothes, etc. and curtains at least 0.9 m from the front of the heater and keep them away from the sides and rear
3. Extreme caution is necessary when any heater is used by or near children or invalids and whenever the heater is left operating and unattended.
4. Do not operate any heater after it malfunctions. Disconnect power at service panel and have heater inspected by a reputable electrician before reusing.
5. Do not use outdoors.
6. To disconnect heater, turn controls to off, and turn off power to heater circuit at main disconnect panel (or operate internal disconnect switch if provided).
7. Do not insert or allow foreign objects to enter any ventilation or exhaust opening as this may cause an electric shock or fire, or damage the heater.
8. To prevent a possible fire, do not block air intakes or exhaust in any manner.
9. A heater has hot and arcing or sparking parts inside. Do not use it in areas where gasoline, paint, or flammable vapors or liquids are used or stored.
10. Use this heater only as described in this manual. Any other use not recommended by the manufacturer may cause fire, electric shock, or injury to persons.
11. This heater may include an audible or visual alarm to warn that parts of the heater are getting excessively hot. If the alarm sounds (or illuminates), immediately turn the heater off and inspect for any objects on or adjacent to the heater that may have blocked the airflow or otherwise caused high temperatures to have occurred. **DO NOT OPERATE THE HEATER WITH THE ALARM SOUNDING (OR ILLUMINATING).**
12. "SAVE THESE INSTRUCTIONS"

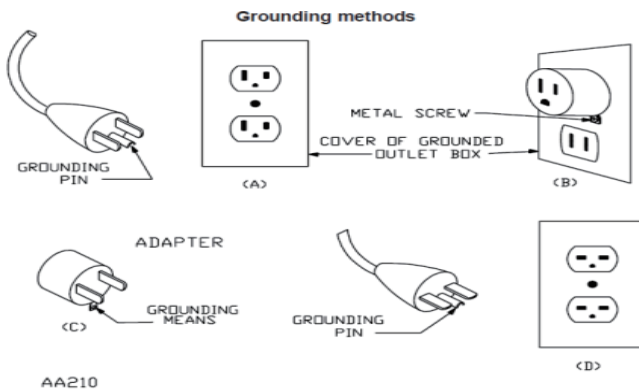
This heater is for use on 120 volts. The cord has a plug as shown below Figure. An adapter as shown at C is available for connecting three-blade grounding-type plugs to two-slot receptacles. The green grounding lug extending from the adapter must be connected to a permanent ground such as a properly grounded outlet box. The adapter should not be used if a three-slot grounded receptacle is available.



## Instructions importantes

1. Lisez toutes les instructions avant d'installer ou d'utiliser ce radiateur.
2. Ce radiateur est chaud lorsqu'il est utilisé. Pour éviter les brûlures, ne laissez pas la peau nue toucher les surfaces chaudes. Gardez les matériaux combustibles, tels que les meubles, les oreillers, la literie, les papiers, les vêtements, etc. et les rideaux à au moins 0,9 m de l'avant du radiateur et éloignez-les des côtés et de l'arrière.
3. Une extrême prudence est nécessaire lorsqu'un radiateur est utilisé par ou près des enfants ou des invalides et chaque fois que le radiateur est laissé en fonctionnement et sans surveillance.
4. Ne faites pas fonctionner de radiateur après les dysfonctionnements. Débranchez l'alimentation au panneau de service et faites inspecter le radiateur par un électricien réputé avant de réutiliser.
5. N'utilisez pas à l'extérieur.
6. Pour déconnecter le radiateur, tourner les commandes vers OFF et désactiver l'alimentation sur le circuit du chauffage au panneau de déconnexion principale (ou faire fonctionner l'interrupteur de déconnexion interne s'il est fourni).
7. Ne pas insérer ou permettre aux objets étrangers de pénétrer dans une ventilation ou une ouverture d'échappement car cela peut provoquer un choc électrique ou un incendie, ou endommager le radiateur.
8. Pour éviter un éventuel incendie, ne bloquez pas les apports d'air ou ne vous échappez en aucune façon.
9. Un radiateur a des pièces chaudes et arc ou étincelles à l'intérieur. Ne l'utilisez pas dans les zones où l'essence, la peinture ou les vapeurs ou liquides inflammables sont utilisés ou stockés.
10. Utilisez ce radiateur uniquement comme décrit dans ce manuel. Toute autre utilisation non recommandée par le fabricant peut provoquer un incendie, un choc électrique ou une blessure aux personnes.
11. Ce radiateur peut inclure une alarme audible ou visuelle pour avertir que les parties du radiateur deviennent excessivement chaudes. Si l'alarme sonne (ou illumine), éteignez immédiatement le radiateur et inspectez tous les objets ou adjacents au radiateur qui pourrait avoir bloqué le flux d'air ou autrement provoqué des températures. Ne faites pas fonctionner le radiateur avec le sondage d'alarme (ou illuminant).
12. «Enregistrez ces instructions»

Ce radiateur est utilisé sur 120 volts. Le cordon a une fiche comme indiqué ci-dessous. Un adaptateur comme indiqué sur C est disponible pour connecter les bouchons de type de mise à la terre à trois lames aux réceptacles à deux plans. La patte de mise à la terre verte s'étendant de l'adaptateur doit être liée à un sol permanent comme une boîte de sortie correctement mise à la terre. L'adaptateur ne doit pas être utilisé si un réceptacle mis à trois places est disponible.



## Getting Started

- Remove the fireplace from the box.
- Remove the packaging. Place it inside the box or safely dispose elsewhere.

## Package Contents

- Electric Fireplace
- Screws and Screw Anchors
- Remote Control
- Instruction Manual

## Features

- Wide screen wall mount fireplace
- LED technology for realistic flame effect
- Soothing, mesmerizing logwood flame effect
- Dual heat setting (750W / 1500W)
- Built-in timer
- Flames operate with & without heat
- Adjustable flame brightness
- Heat resistant tempered glass panel
- Built-in overheating protection, auto safety shut-off
- 1500 W

## Quick Reference Guide

- Prior to installation, please ensure that the voltage and capacity of your power outlet is compatible with your fireplace.
- Your fireplace may emit a slight, harmless odor during its first use. This odor is a normal reaction caused by the initial heating of internal fireplace parts and it will not occur again.
- It is normal for fireplace to make a rattling sound for a short duration of time during its first use.
- If your fireplace does not emit heat, please ensure the fireplace switch is on. For further information, please refer to the Troubleshooting section of this manual.

### **Helpful Advice Before Installation**

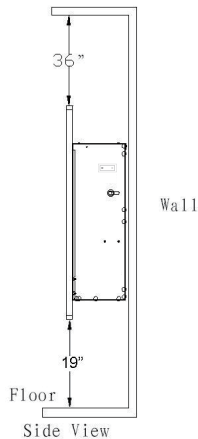
- Please retain all packaging until you have checked and counted all the parts and other package contents.
- The package contains small apparatus which should be kept away from young children and infants.
- We suggest that you move all the smaller parts into a container to reduce the risk of losing them.
- At least 2 people are required to install this fireplace.
- It is recommended to place your fireplace near an existing outlet, for ease of electric connection.
- Store your fireplace in a dry, safe and dust-free place while drilling, for fireplace installation.
- Do not attempt to wire new outlets or circuits. To reduce the risk of fire, electric shock or injury to persons, always have a licensed electrician perform maintenance and other repairs.
- Connect to properly grounded outlet only

### Tools Needed

- Power drill
- Screwdriver

### Installation

- Do not connect the fireplace to the power supply until properly fixed to the wall and the instructions are carefully read.
- Make sure the area to be drilled does not have any hidden electrical wires or water and gas pipes.
- The minimum distances must be observed as shown in the diagrams below.
- During installation of the fireplace, avoid any possible damage to concealed cables.
- Please be careful when drilling holes.
- This fireplace is designed to be permanently fixed to a wall. Choose a wall that is sturdy enough to hold the weight of the fireplace such as a brick or cinder block wall. If positioning on drywall, it must be fixed to studs. If you are not sure if the wall is stable enough, then consult a hardware expert. The wall bracket must be fixed horizontally with the cable routed to the bottom right of the fireplace.
- For optimum viewing of the fuel bed, it is recommended that there be a distance of 2 feet from the bottom of the fireplace relative to the floor (see figure for recommended fixed dimensions).



### Step One

- Keep the top of the fireplace at least 3 feet away from the ceiling or other objects for optimum heat ventilation.
- For optimum viewing, place four marks on the wall with respect to the recommended fixed dimensions for the top screws (see figure on next page).
- Note: use a level when marking the positions of the holes to ensure that the bracket is mounted horizontally.



## Step Two

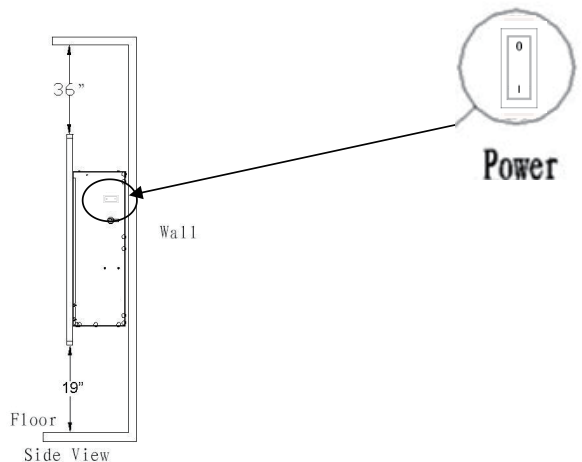
- Make sure the area to be drilled does not have any hidden electrical wires or water and gas pipes.
- The wall fixings provided is for concrete walls only; please use suitable fixings for your wall type. If in doubt, contact a qualified hardware expert.
- Place the three bulged screw tubes into the drilled holes and then screw in the self-tapping screws. Screw the extended wooden screws into the 0.20" screw anchors so they protrude out of the wall to angle the fireplace. Make sure that the screws are secured in place.
- Have 2 people lift the fireplace and hook it onto the mounted bracket.
- Check the fireplace for stability to see if it is securely mounted.

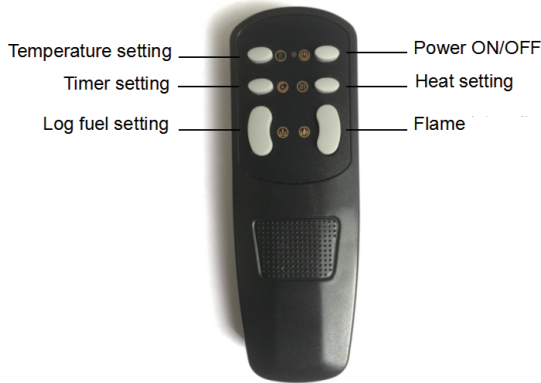
## Instructions for Use

This fireplace can be operated either by the switches located on the right side panel of the fireplace or the supplied remote control.

## Turning On

- Plug the fireplace into a power outlet.
- Turn on the power switch which is located on the right side of the fireplace.





### Remote Control

- The remote control requires 2 AAA batteries, which are not included.
- Point the remote control directly at the fireplace.
- The range is about 11.5 feet.

### Troubleshooting

Problem	Possible Solution
Unit does not work / does not heat	<ul style="list-style-type: none"> <li>• Check if the unit is plugged in the power outlet.</li> <li>• Check if the unit is in Standby mode. If so, turn the unit ON.</li> <li>• Check if the heat is turned OFF.</li> <li>• Check for safety cut-off operation.</li> </ul>
No flame effect	<ul style="list-style-type: none"> <li>• Check if the unit is plugged in the power outlet.</li> <li>• Check if the unit is in Standby mode. Turn the unit ON.</li> </ul>

## Cleaning

Warning: The unit must be unplugged from the power supply prior to any maintenance or cleaning in order to reduce the risk of electric shock or fire.

### General cleaning instructions

- The housing may be wiped with a slightly damp, lint-free cloth. Do not use any abrasive scouring pad or steel wool.
- Do not use detergents or cleaning products.
- If necessary, dust particles accumulated in the air outlet openings may be removed with a vacuum cleaner.

In order to preserve our environment and protect human health, the waste electrical and electronic equipment should be disposed of in accordance with specific rules with the implication of both suppliers and users. For this reason your appliance should not be disposed of as unsorted municipal waste. The user has the right to bring it to a municipal collection point performing waste recovery by means of reuse, recycling or use for other applications in accordance with the directions.

# Touch screen panel operation

The appliance can be operated either by the touchscreen located on the front of the fireplace heater or by the supplied remote control. All the functions of the remote are the same as on the touchscreen.

## Master switch

Master switch control the power supply to the appliance. Turn the switch to "I" to connect power and turn the switch to "O" to cut the power. There will be chiming sound when turning to "I".

**NOTE: Holding the Temperature settings down for 10 seconds on the unit, will change the temperature from °C to °F.**



Display



Tem-  
perature  
settings



Timer  
setting



Heat  
Setting



Glow effect



Flame  
intensity



Power  
on/off



### Power on/off

Touch the button once (icon will be light up) to turn on power for all functions. Then touch the button once more to turn all functions off.



### Flame effect

Touch the button will show F1,F2,F3 to different colors option.



### Glow effect

Touch the button will show C1,C2,C3 to different colors option.



### Heat settings

This fireplace consist of a fan forced electric heater with two heat setting, 750W ("LO" shown in display) and 1500 W ("HI" shown in display). Touch the button once (the icon will light up) to activate the heater at low level (750W). Touch the button once more to active the heater at high level (1500W). When set in high level, touch the button once to deactivate the heater.

Note: The fan will continue to run for a short time and turn off automatically after the heater is turned off.



### Timer settings

This fireplace is equipped with a timer ranging from 1hr to 9hrs (1H, 2H...9H shown in display). Touch the button once for every 1hr increasement. Do not leave heater unattended.



### **Temperature settings / thermostat control**

Adjusts the temperature set point to your individual requirements.

Once the desired set temperature is reached the heater will turn off.

The heater will cycle on and off to maintain the desired set temperature.

## **Warranty**

You have 1 year warranty on your electric fireplace after time of purchase.

## LIMITED WARRANTY

This warrants to the original purchaser that this product is free from defects in material and workmanship as of the date of purchase and that it will, under normal use and proper care, remain so for one year from the date of purchase. Missing or initially defective parts will be replaced free of charge during the period of this limited warranty. If parts are unavailable, comparable replacement of refund will be given.

**The original dated sales receipt is required for all warranty claims.** This warranty does not cover damage which has occurred during transport from the point of purchase to the consumer's home. This warranty does not cover glass, light bulbs, batteries, transportation, labor, or other issues not associated with the manufacture of the product.

**This product is for residential use only. Any and all commercial use of this product voids all warranties, and absolves the manufacturer from all liability.**

Read and understand all assembly and operating instructions, and all safety information and warnings, before use. The following will void this warranty: Damage caused by tampering, modifying, or altering the fireplace insert in any manner; Damage due to incorrect assembly, improper care, misuse, or abuse; Damage from being used with the wrong power source; Water damage; Damage caused from this insert being used outdoors; Damage caused by using for excessive periods of time; Damage caused by the insert being used in a commercial application; Damage from use as a primary heat source; Other misuse or abuse not specifically listed herein.

**This product is not intended to be used as a primary heat source. It is for supplemental heating purposes only.**

Model: Luxey 42, Luxey 50, Luxey 50 WH, Luxey 60, Luxey 72, Luxey 84, Luxey 95

Power supply: 120V-60Hz

Power consumption: 1500W

Protection class: I

Light bulb: LED

Thank you for purchasing this product! If you have questions about assembly or operation of this product, are missing parts, or if the product is damaged, please e-mail us at:

Website: [www.casainc.com](http://www.casainc.com)

Contact Phone Number: 888-257-3857

Service Contact : [service@casainc.com](mailto:service@casainc.com)

