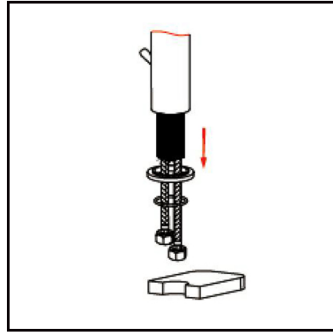
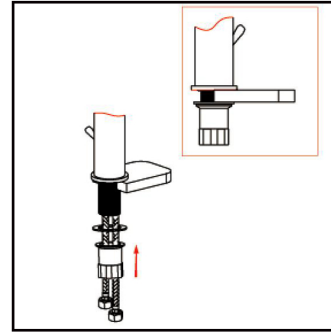


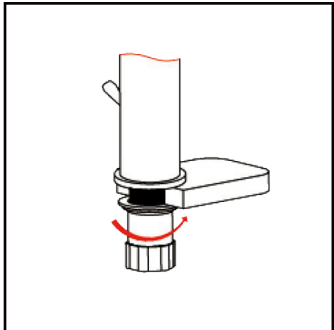
1. Slide the base plate for a three hole installation or the O-ring for a single hole installation onto the faucet shank.



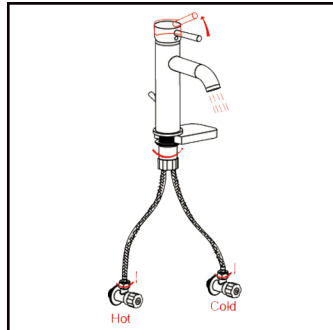
2. Insert the flexible supply lines and shank through the vanity top.



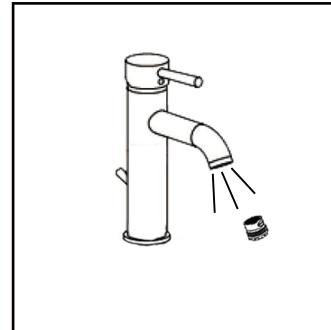
3. From the underside of the vanity, place the rubber washer and mounting nut onto the shank.



4. Tighten the mounting nut, ensuring the faucet is in their proper position.



5. Attach the hot and cold flexible supply lines to the shut off valves.



6. Remove the aerator from the spout and turn on water to flush any air and debris in the water lines. Reattach the aerator.



YT-04MB