

## CA-GN11

Please read this installation instruction carefully before installing;  
Please check the quantities of the accessories and make sure you have the tools needed;  
It may also be necessary to consult your tiling supplier about the correct method for drilling your tiles;  
Should any parts be missing/damaged or other problems, please contact your local distributor or our company directly and you will get a satisfied answer.

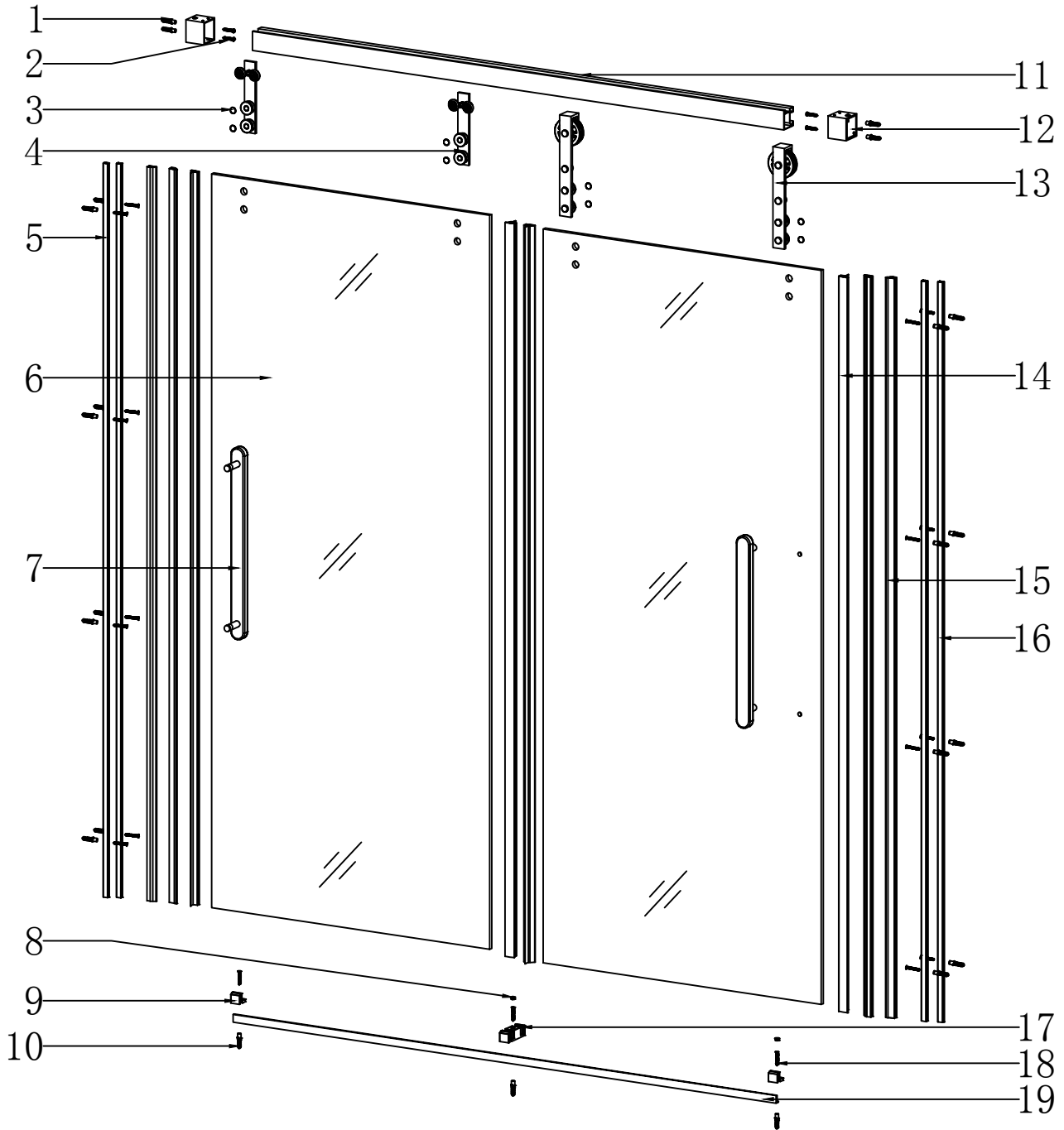
### GLASS WARNING




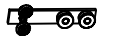
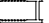
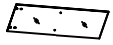



**CAUTION:** Risk of injury or product damage. During installation tempered glass should not come in direct contact with metal parts or it may shatter. Gaskets must always be used between glass and metal. Do not touch the edges of tempered glass with tools. Do not attempt to cut tempered glass or it will shatter.




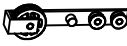


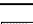

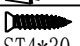

**NOTE:** Tempered safety glass is stronger than normal glass but is not unbreakable; a scratch to the glass or contact with a hard surface (such as a screw head) can cause it to break. When it does break, it loudly explodes into thousands of smaller pieces (the smaller pieces reduce the risk of personal injury).

# 1

## Accessory list

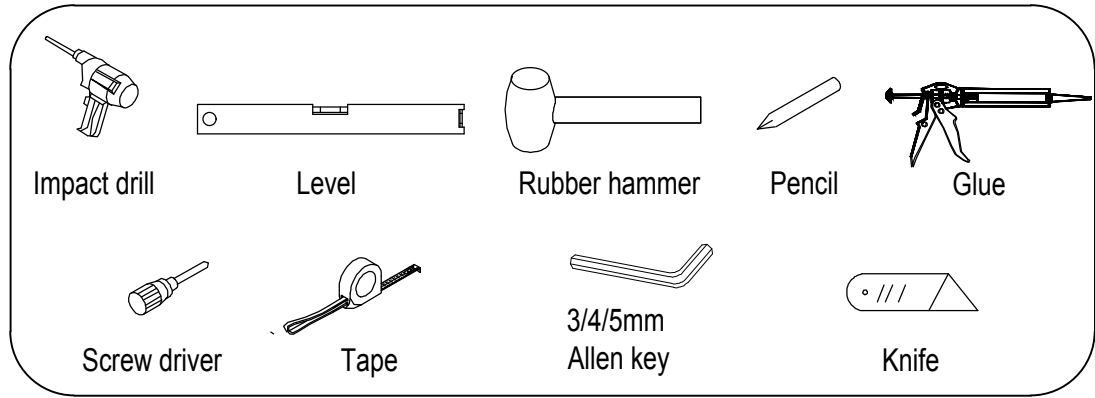


NO	Description	Diagram	Unit	QTY
1	Wall Plug		pc	4
2	Screw		pc	4
3	Screw cover		pc	8
4	Inner pulley		pc	2
5	Wall material		pc	2
6	Door panel		pc	2
7	Handle		pc	2
8	Screw cover		pc	1
9	Fixed fittings		pc	2

NO	Description	Diagram	Unit	QTY
10	Wall Plug		pc	19
11	Slide way		pc	1
12	Fixed part		pc	2
13	Outer pulley		pc	2
14	Magnetic stripe		pc	4
15	Magnetic stripe		pc	4
16	Wall material		pc	2
17	Guide Block		pc	1
18	Screw		pc	19
19	weather bar		pc	1

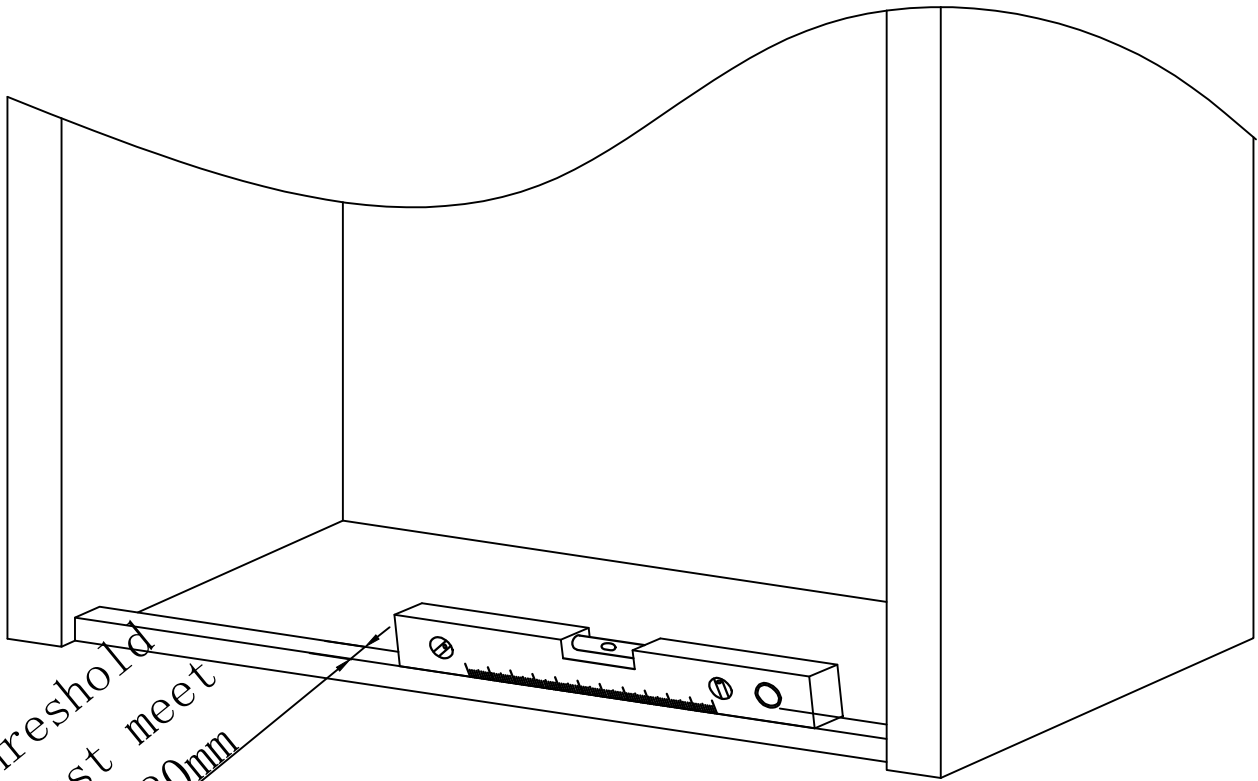
2

## Tools for installation



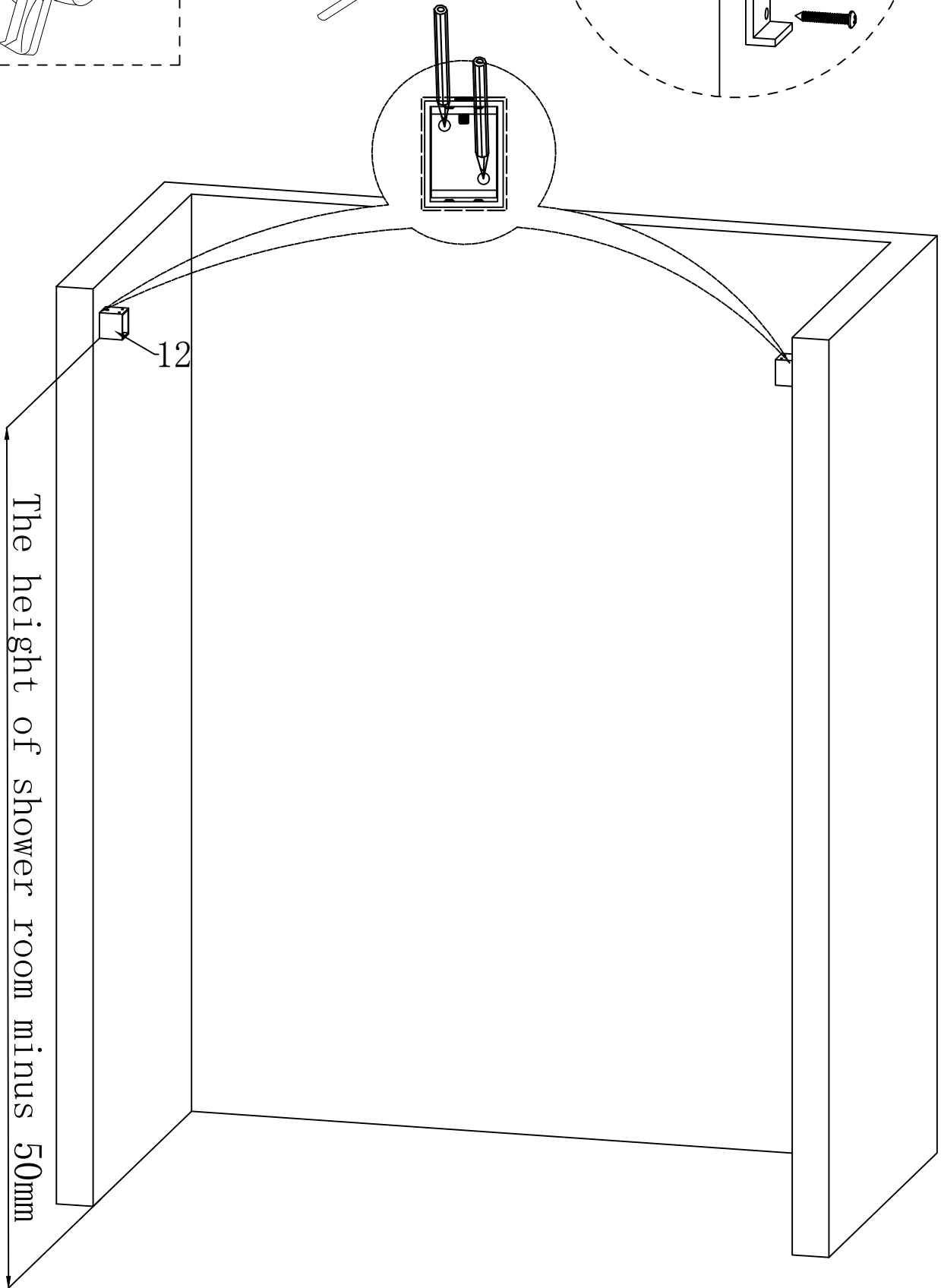
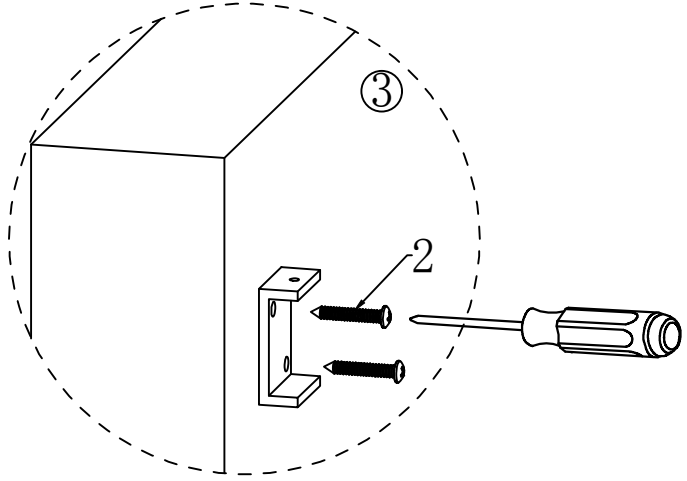
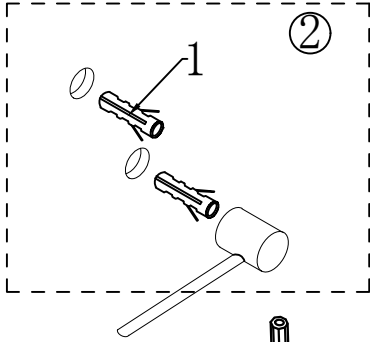
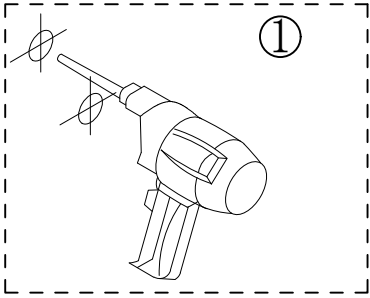
3

## Measure the level of the ground

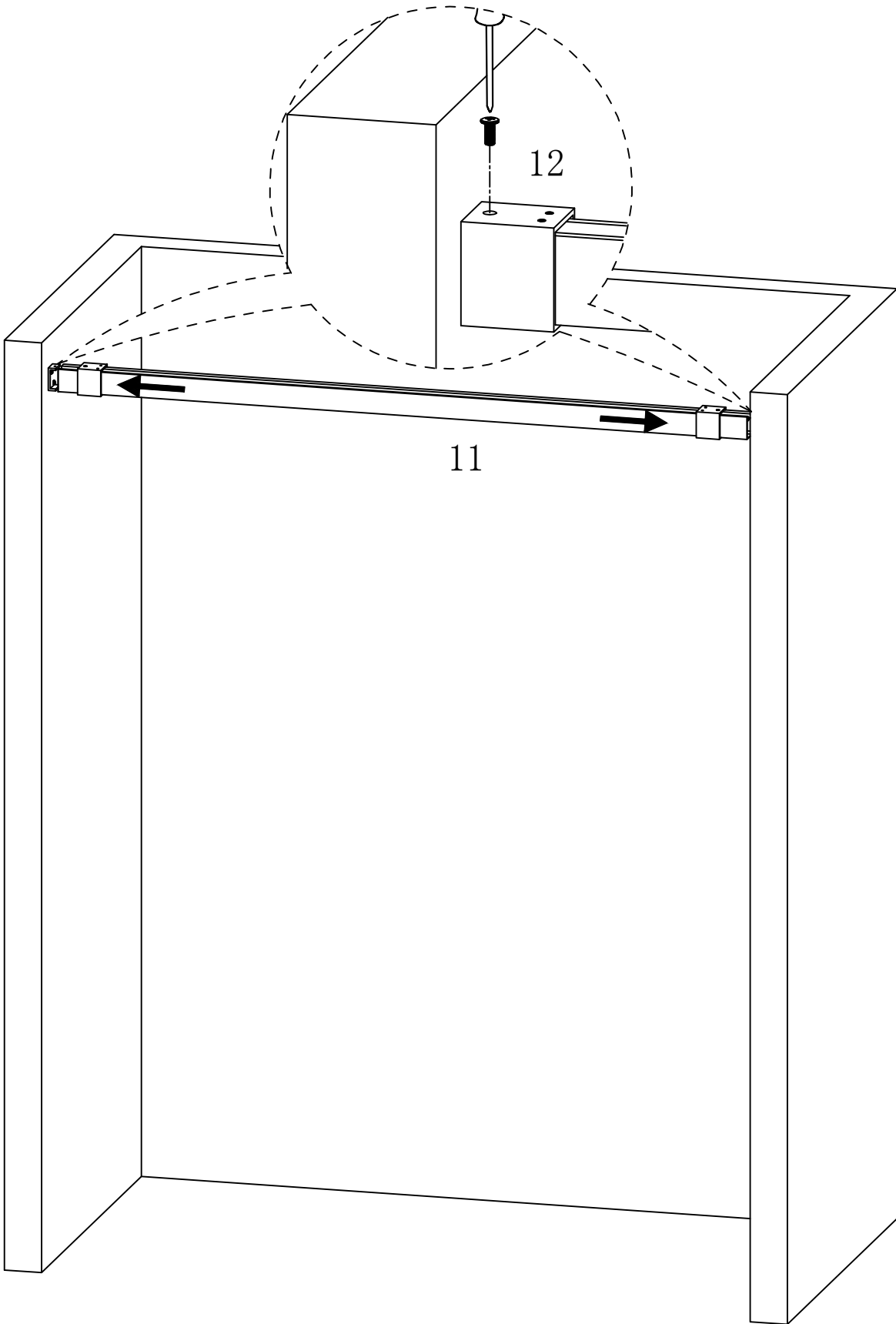


The threshold width must meet at least 80mm

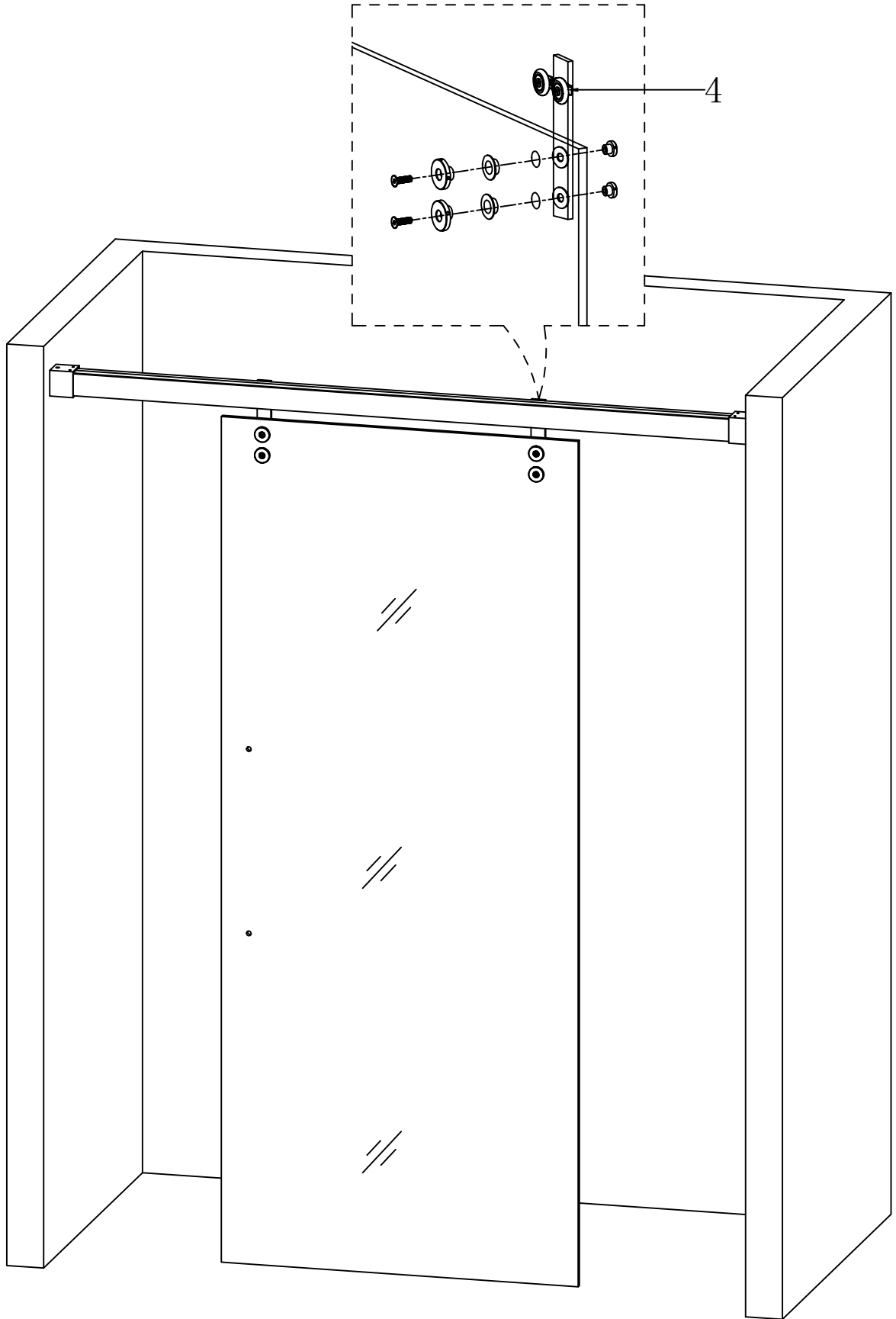
4

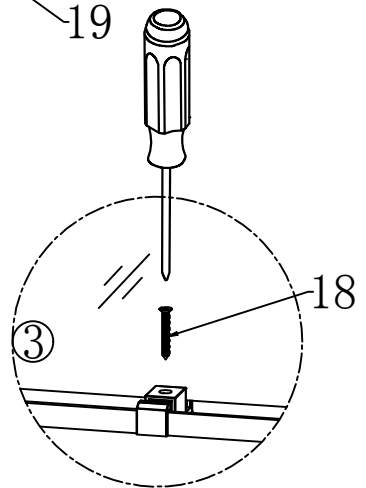
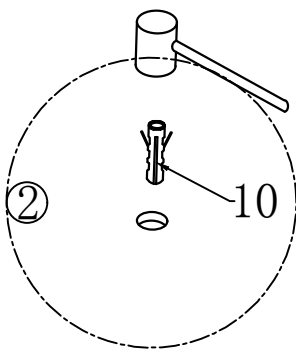
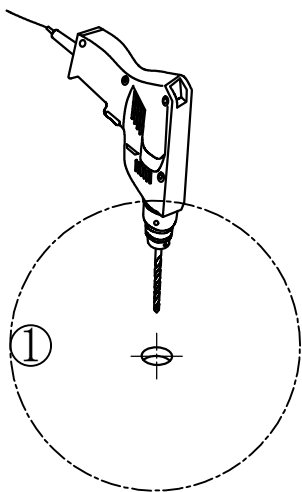
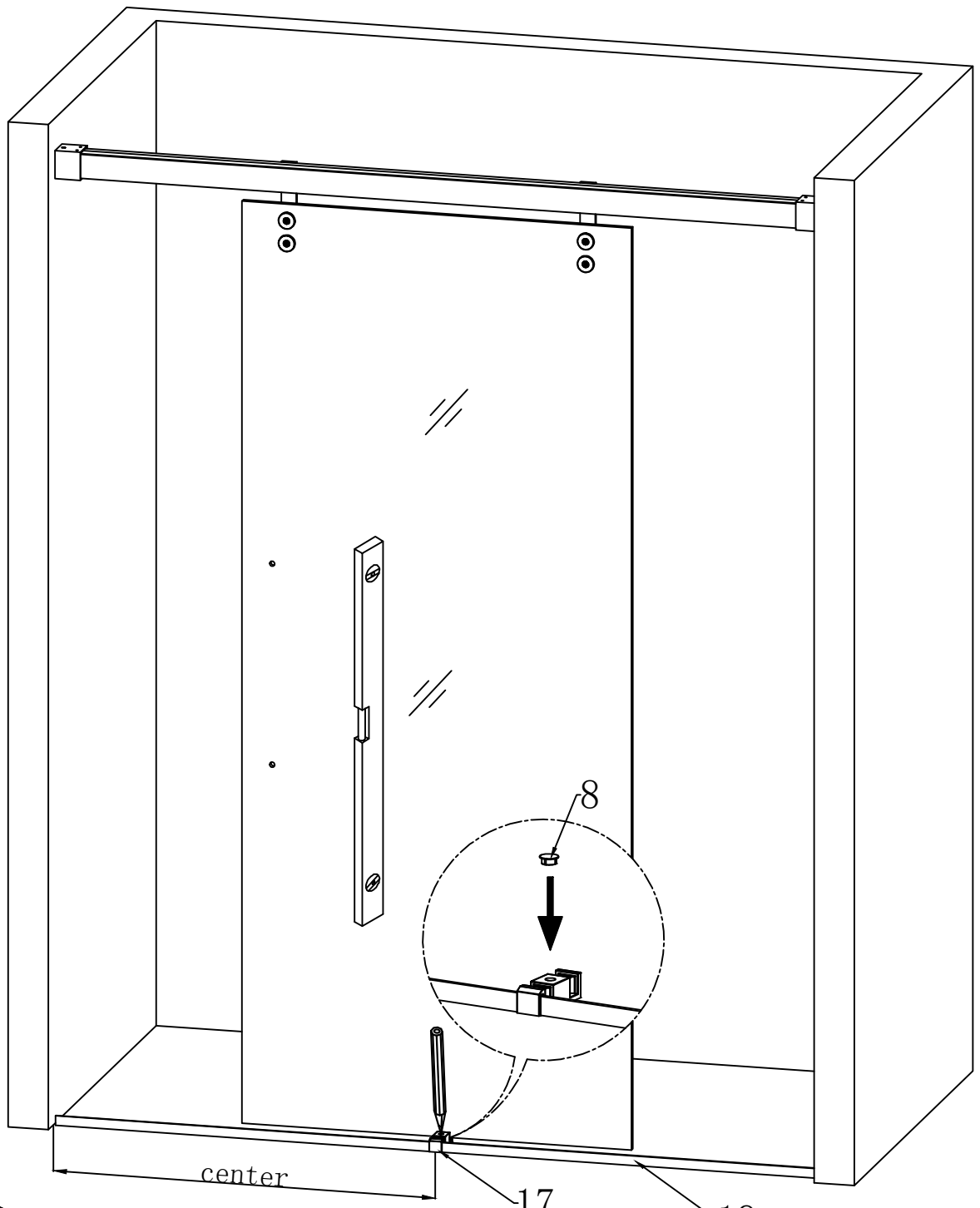


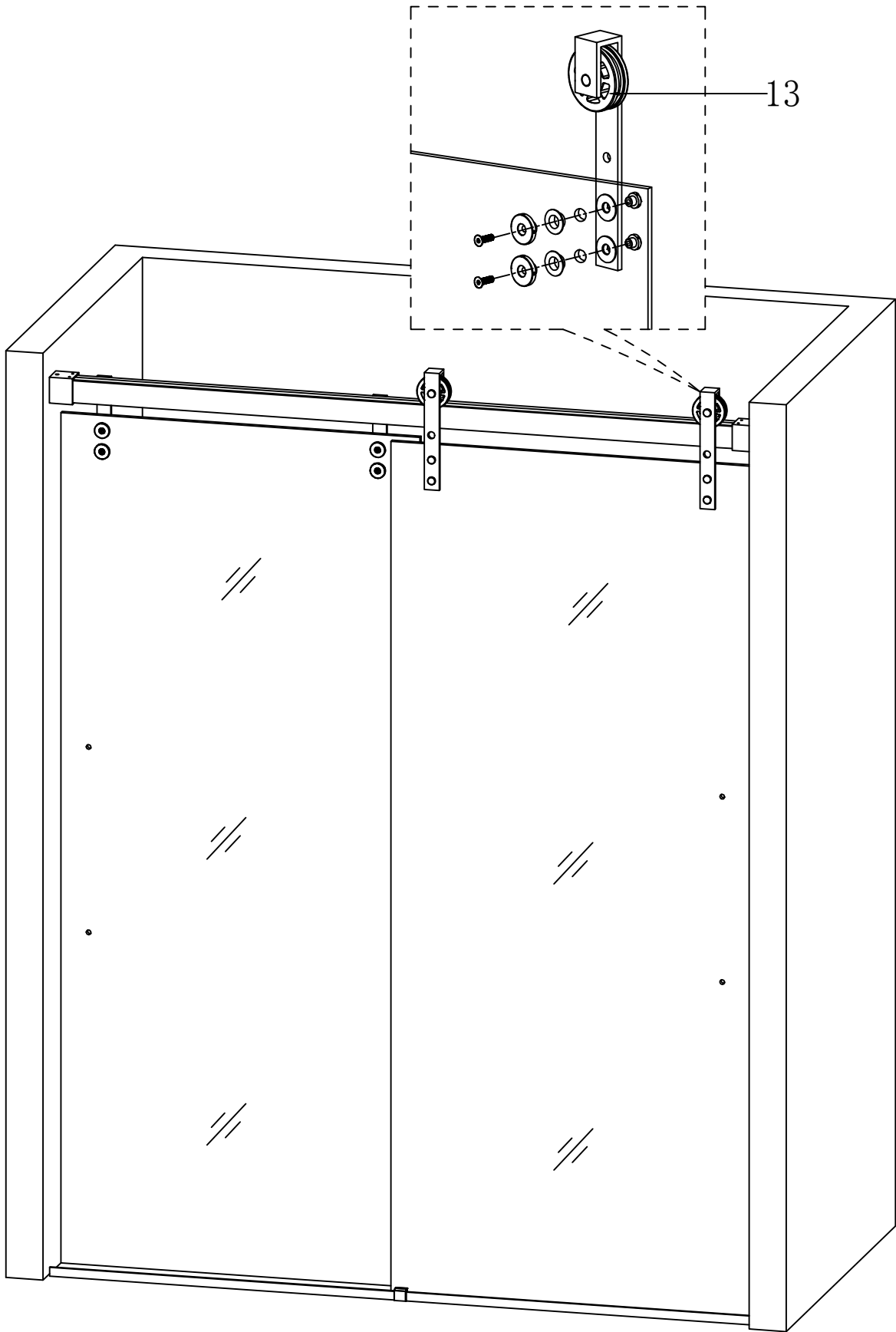
5



6

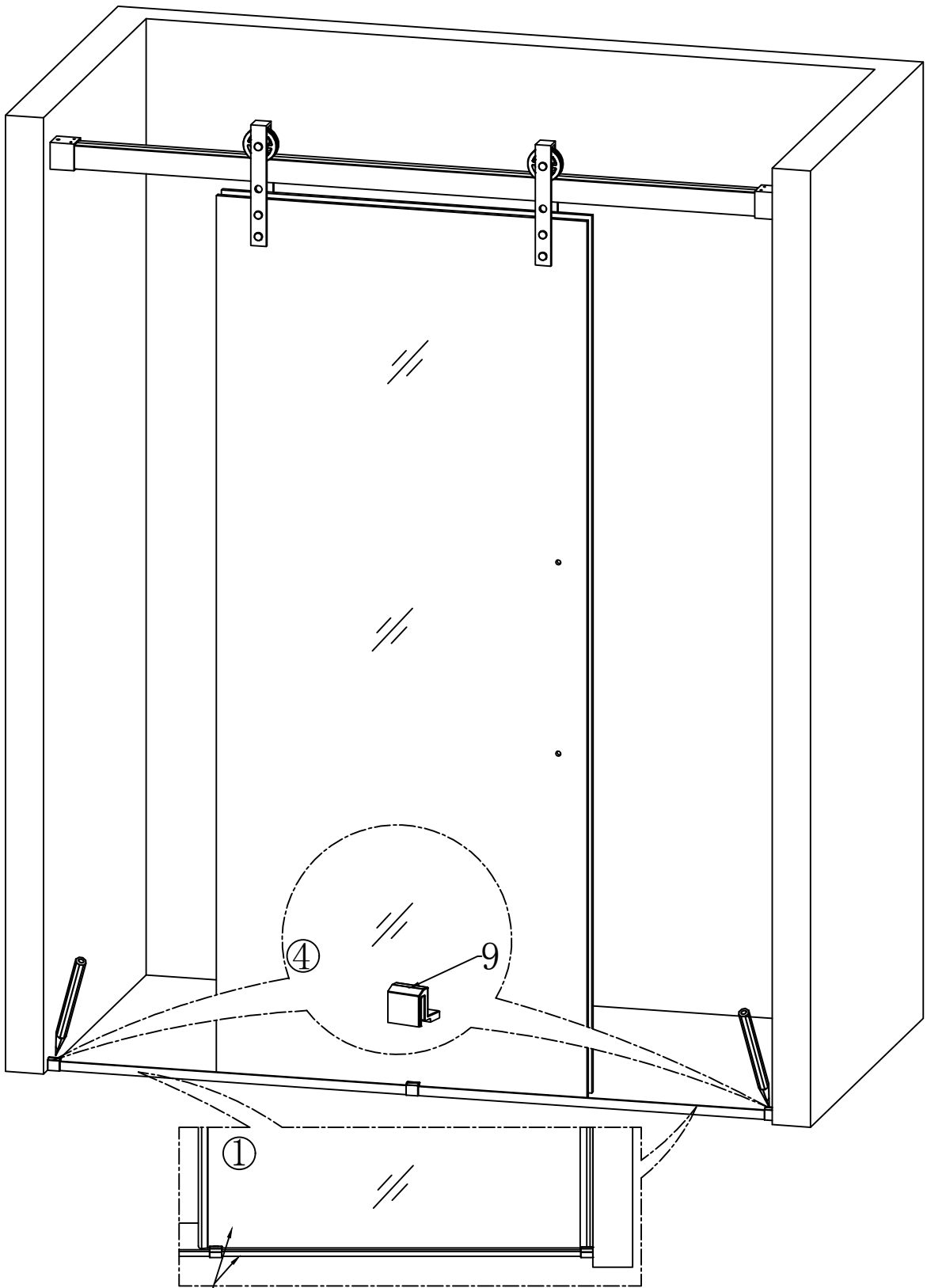




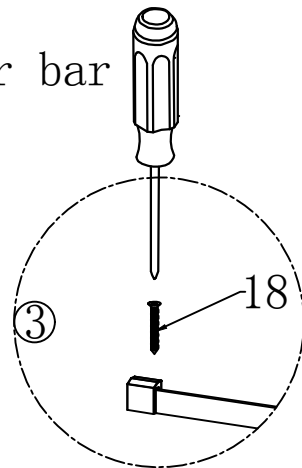
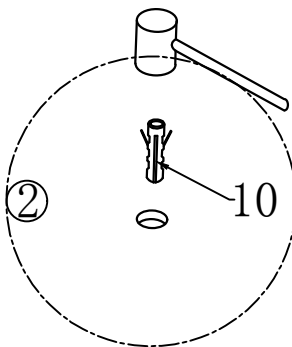
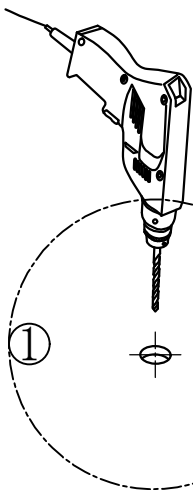


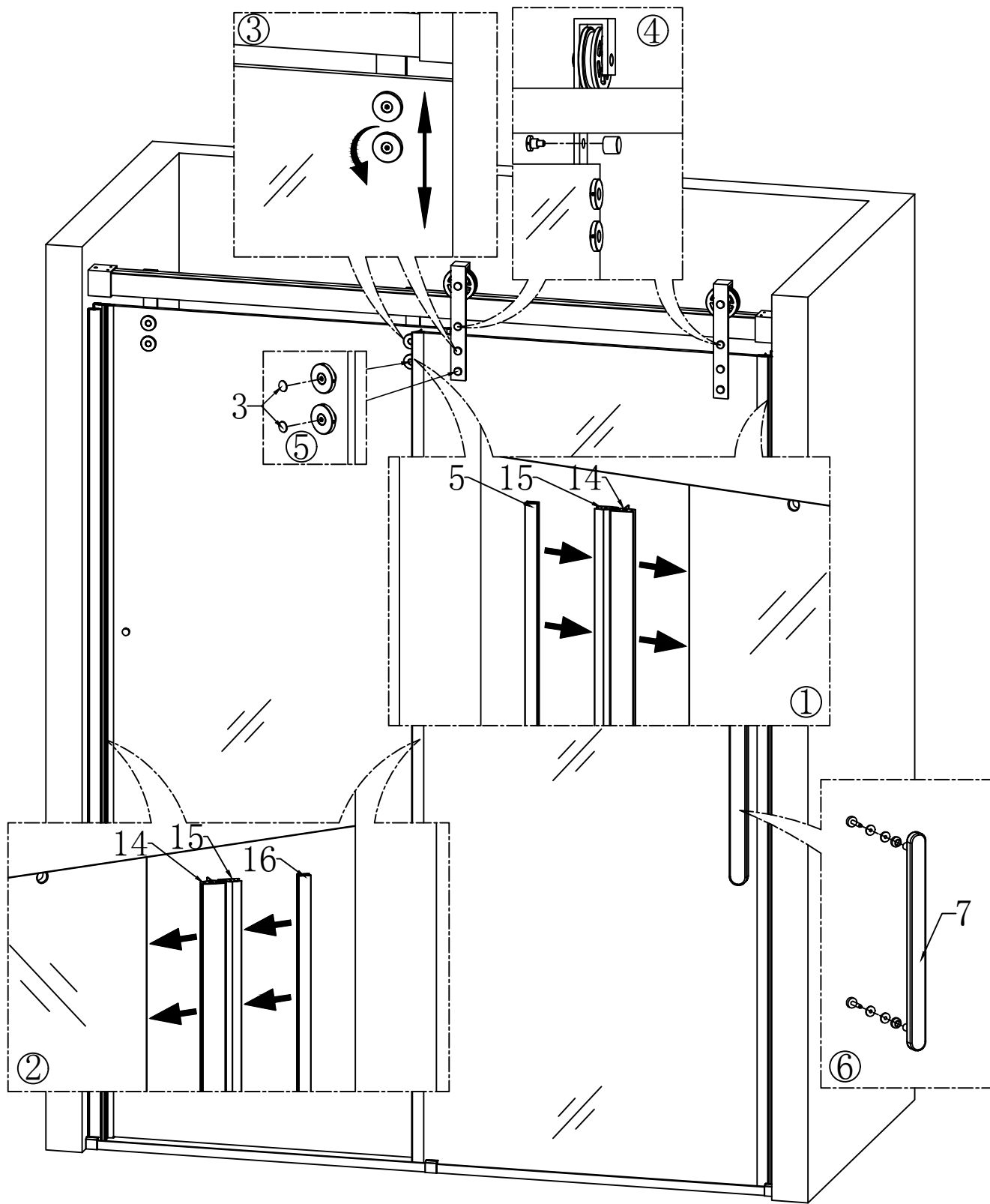


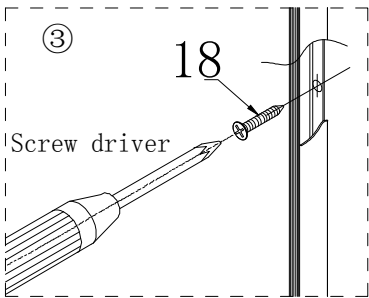
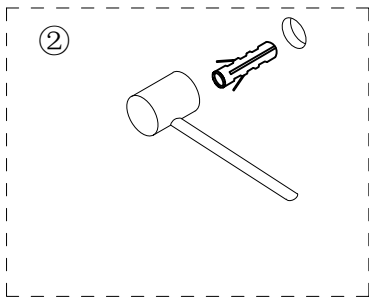
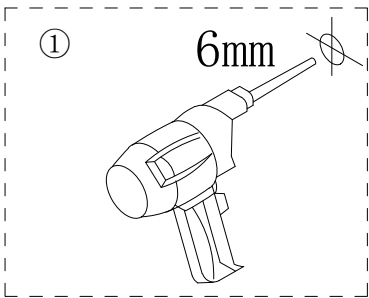
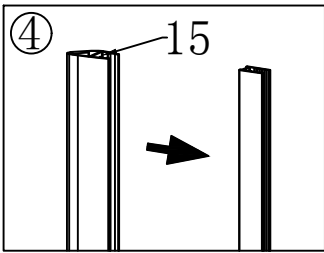
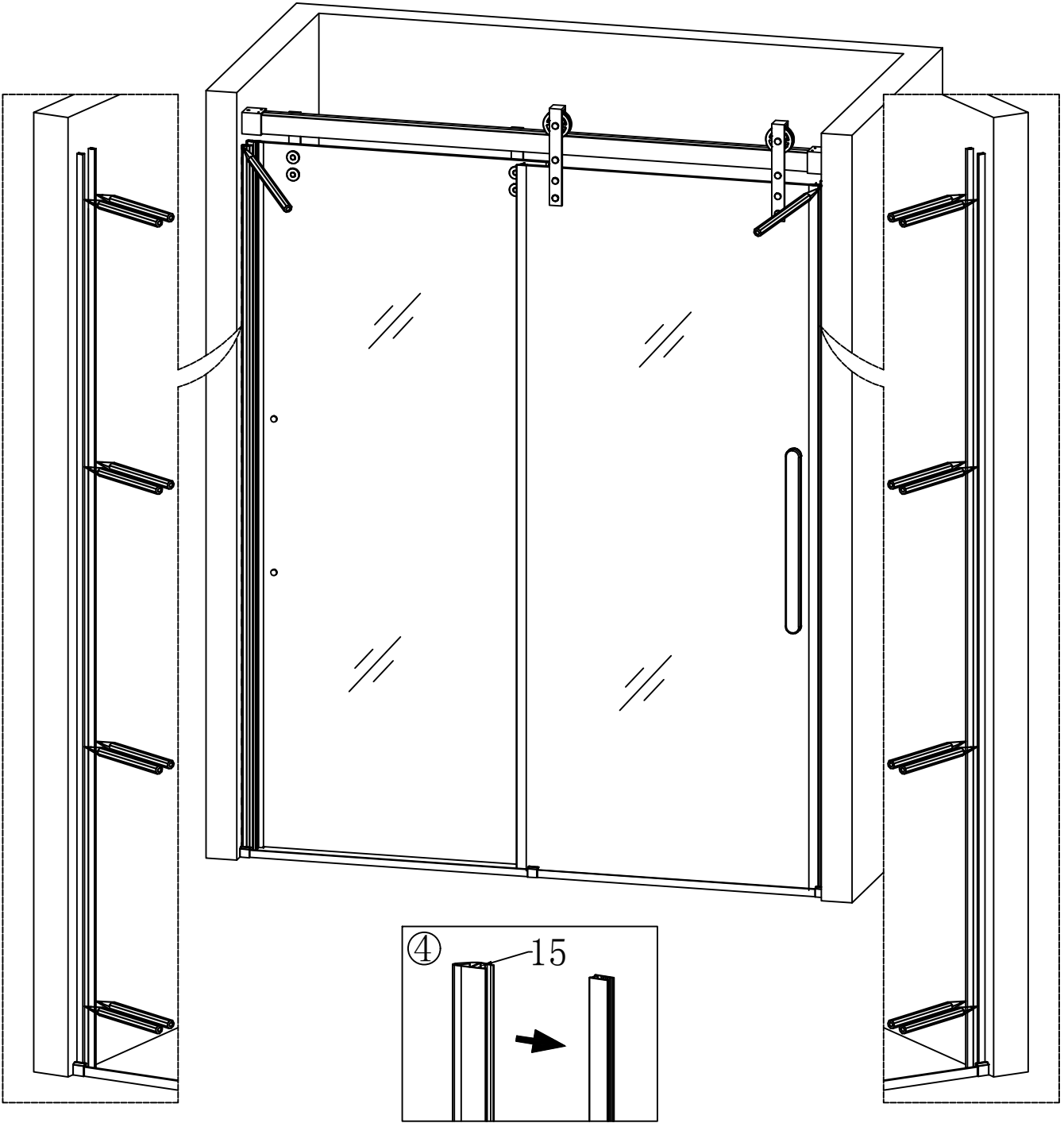
9

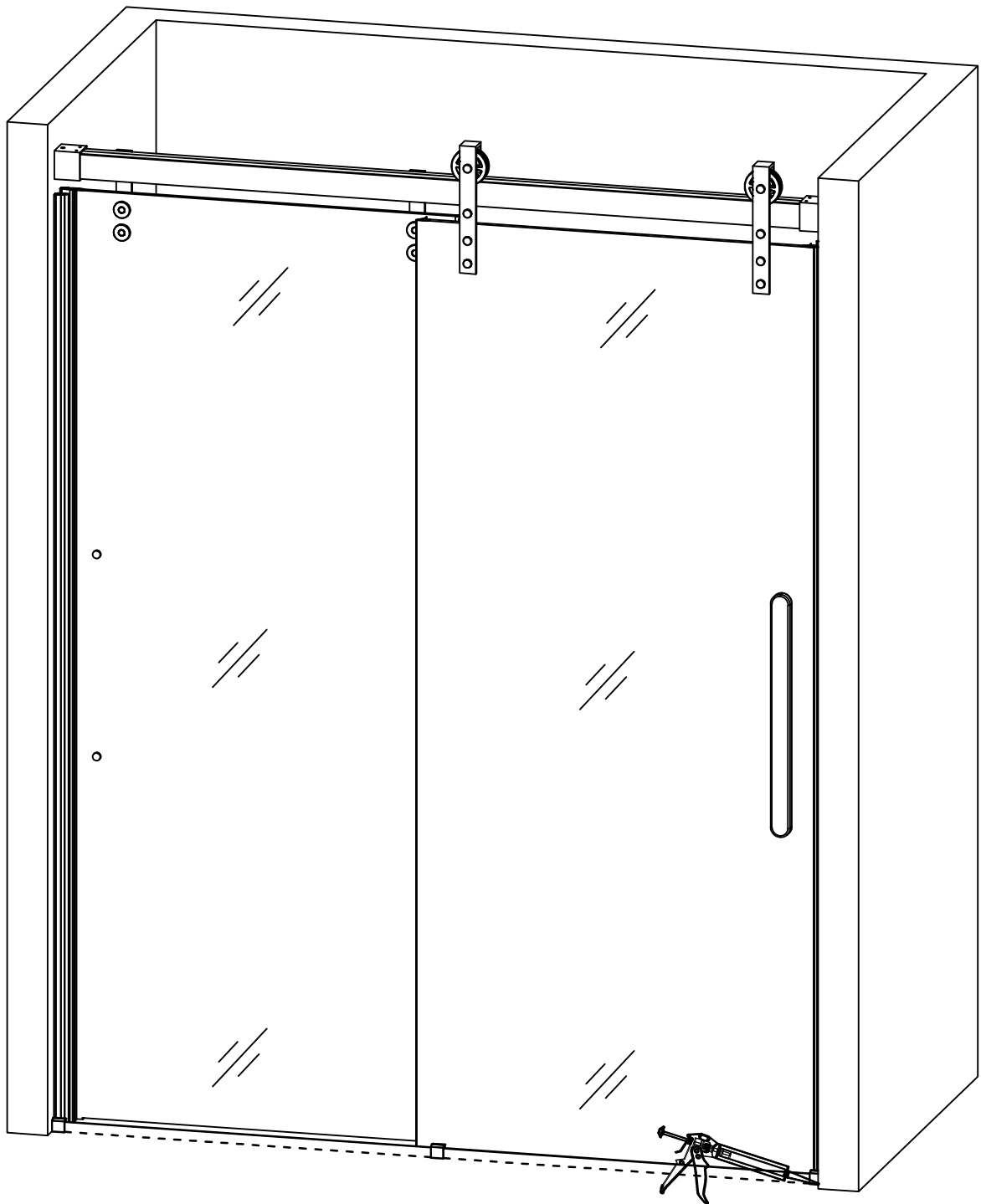
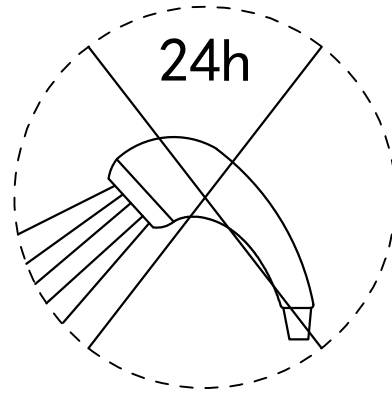


Make sure the glass is parallel to the weather bar









# Maintenance of Shower Enclosure

## 1.Cleaning

Please use a soft,dry cloth to clean the shower enclosure and shower tray.If there is minor dirt , please use a soft cloth or sponge dampened in a mild detergent to clean;to remove stubborn dirt,use alcohol.

When cleaning with bath detergent,do follow its instructions and use correctly.Incorrect using methods will result in bad effects on human body and is easy to make the product appear some bad situations.

Do not use following items to clean : the acidic, alkaline solvents , drugs (such as hydrochloric acid),acetone thinners and other solvents and scouring powder,otherwise they will result in bad effects on human body and is easy to make the product appear some bad situations.

## 2.Usage and maintenance of shower room roller

A.There are two kinds of shower sliding doors:slider and roller

B.Attention while using:

- 1)Avoid over striking the movable door,which may cause the door loose.
- 2)Clean rails,wheels,sliders regularly and add lubricant(oil or lubricating wax);
- 3)Adjusting the screws of sliders on a regular basis to ensure the sliders' effective carrying and smooth sliding to the movable doors.

## 3.Maintenance of Tempered Glass

- 1).Do not use sharp objects against the surface to avoid damage;
- 2).Do not wipe the glass surface with corrosive liquids to avoid damaging the glossy surface;
- 3).Do not wipe the surface with a rough material to avoid scratches;

## 4.Maintenance of Stainless Steel Frame

A.Electrostatic painting products(referring to the white,bone,blue,yellow,red,purple and other solid spray type)

- 1) Prevent direct sunlight and prolonged exposure under the sunlight which will cause color fading.
- 2) Do not wipe with corrosive liquids or materials;
- 3) Do not use rough material (including toothpaste) for surface cleaning;
- 4) Do not scratch the surface with sharp objects.

B.Oxidation coloring products (such as gold,silver,matt silver,brush nickel silver)

Comparing with electrostatic painting products,oxidation color is not easy to fade,but due to its poorer hardness, please do not wipe with rough materials, especially sharp objects to scratch.

For stain on surface, please wipe with neutral cleanser.