

PULL-DOWN WAVE SENSOR KITCHEN FAUCET INSTALLATION INSTRUCTIONS

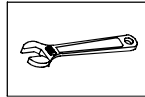
Notes before installation:

1. Please check that all components are present.
2. Before installation ensure that all feed lines are clear of debris and on/off valve is present.
3. Ensure water pressure is between 20-125 PSI (includes combination of hot and cold feed lines).
4. Pictures in the manual are general in content and may not represent exactly your purchased faucet. If you are having difficulties please contact a professional plumber.
5. If you will be away from home for an extended period you should shut off the main water supply.

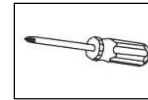
Daily maintenance:

1. Use a soft cloth and vinegar to remove hard-water spots.
2. Check aerator (if present) regularly for calcium build up when water stream is not optimum.
3. DO NOT use caustic cleaning products as the use will break down finish and will void the product warranty.
4. Acceptable cleaners include vinegar or mild non-abrasive liquid detergents.
5. If the water pressure appears to be less than optimum remove, inspect, clean or replace aerator.

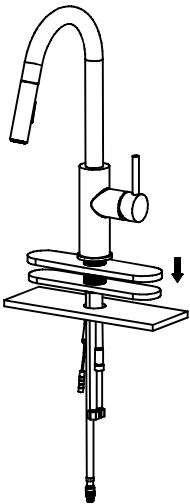
Tools we will need:



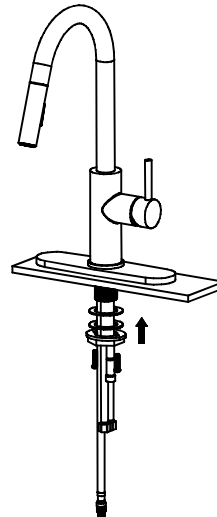
Adjustable Wrench



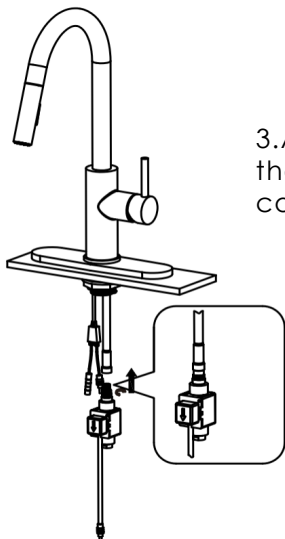
Philips Screwdriver



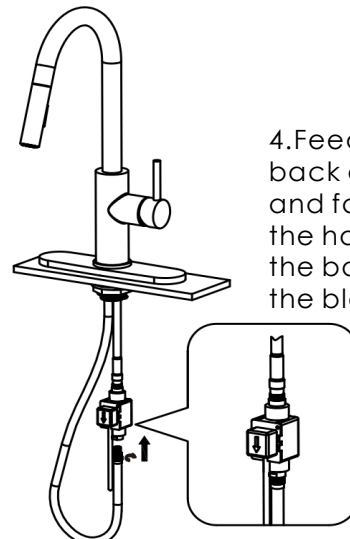
1. Remove the rubber washer, metal washer and locking nut from the faucet. Install faucet through center hole



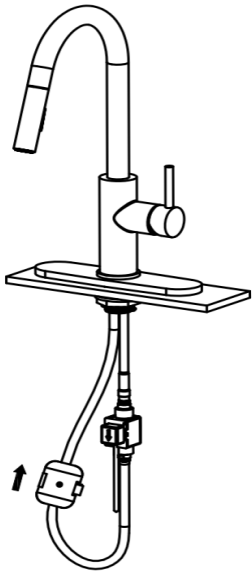
2. Re-install the rubber washer followed by the metal washer and lock-nut. Hand tighten then tighten further using a screw driver to tighten lock-nut screws



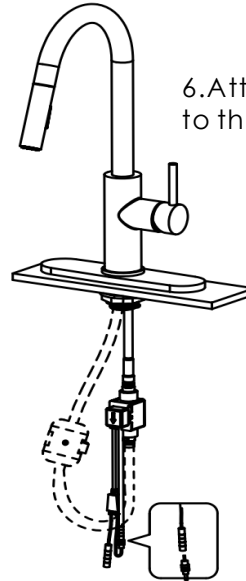
3. Attach the top control box to the shortest braided line coming from the faucet body.



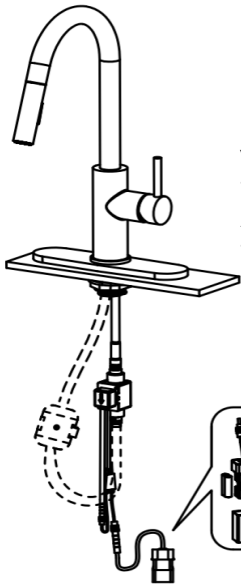
4. Feed the black spray hose back down through the spout and faucet body and through the hole in the sink. Then attach the bottom of control box to the black spray hose.



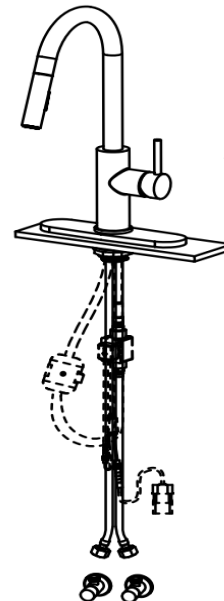
5. Install the weight ball to pull-down hose in place



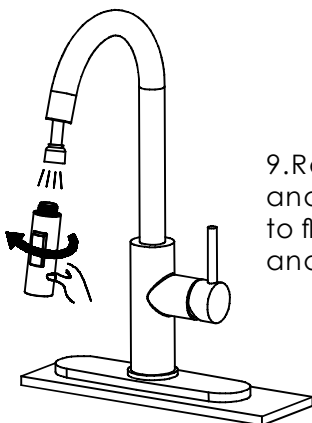
6. Attach the black connector to the black line from control box.



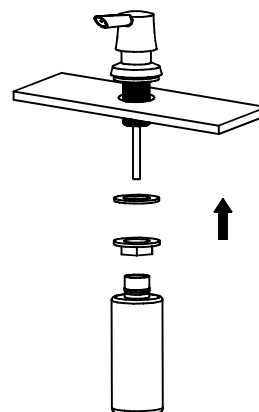
7. Attach the power connector, which houses the batteries, to the control box. Insert four AA batteries (not include) into the battery holder.



8. Attach flexible hose to water supply.



9. Remove the sprayer head and turn on faucet for 1-minute to flush debris. Close the handle and re-assemble spray head.



10. To install the optional soap dispenser unscrew the top of the soap dispenser from the plastic soap bottle and remove the mounting nut and rubber gasket. From above the sink, insert to the top of the opening in the sink. From underneath the sink, Place the rubber gasket onto the shank on the rubber gasket onto the shank on the soap dispenser and then thread the mounting nut onto the shank to secure the soap dispenser to the sink.