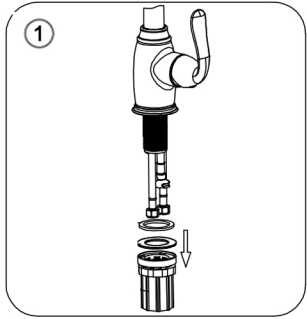
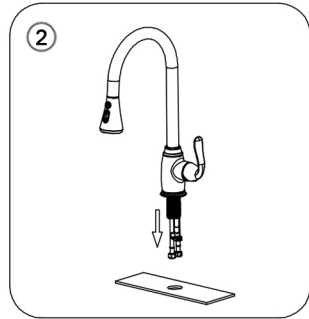


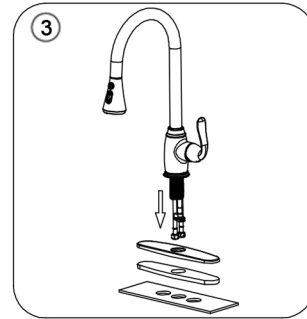
# Pull Down Kitchen Faucet



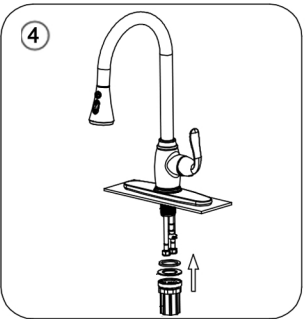
1. Remove the quick nut, metal washer and rubber washer from the faucet shank.



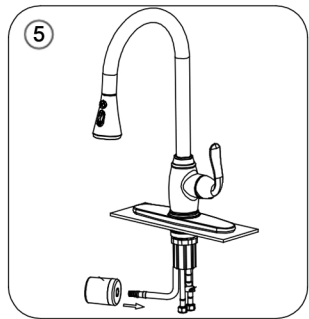
2. For single hole installation insert the hot and cold supply lines and shank through the hole in the countertop.



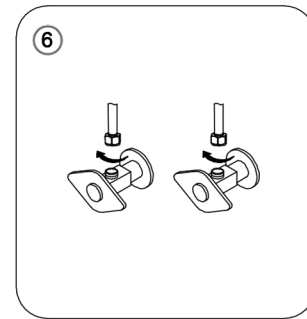
3. For a 3-hole installation insert the base plate panel into the base plate and shank through the hole in the countertop. Insert the hot and cold supply lines, spray hose and shank through the hole in the countertop.



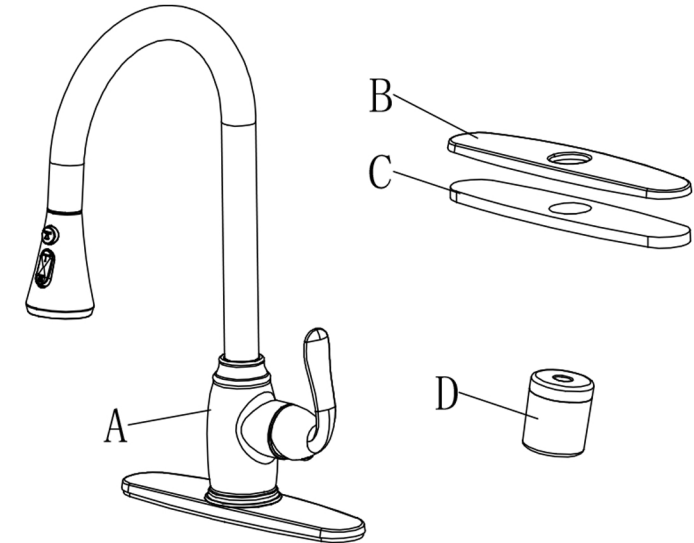
4. Install the rubber washer, metal washer, and quick nut onto the faucet shank in that order underneath the countertop. Tighten down the quick nut ensuring the faucet is in the proper position.



5. Install the gravity weight onto the spray hose, take the open end of the hose and connect it to the quick connection at the base of the faucet shank. The weight should be placed approximately 2" above the natural curve in the hose.



6. Connect the open ends of the hot and cold supply lines to the shut off valves. Ensure the faucet is in the off position and turn on shut off valves. Check for leaks.



## Part List

Number	Name	Quantity
A	Faucet	1
B	Panel	1
C	Baseplate	1
D	Gravity ball	1