



INSTALLATION MANUAL



Thermostatic rain bath/ shower faucet

8074-1441839-769
20210615

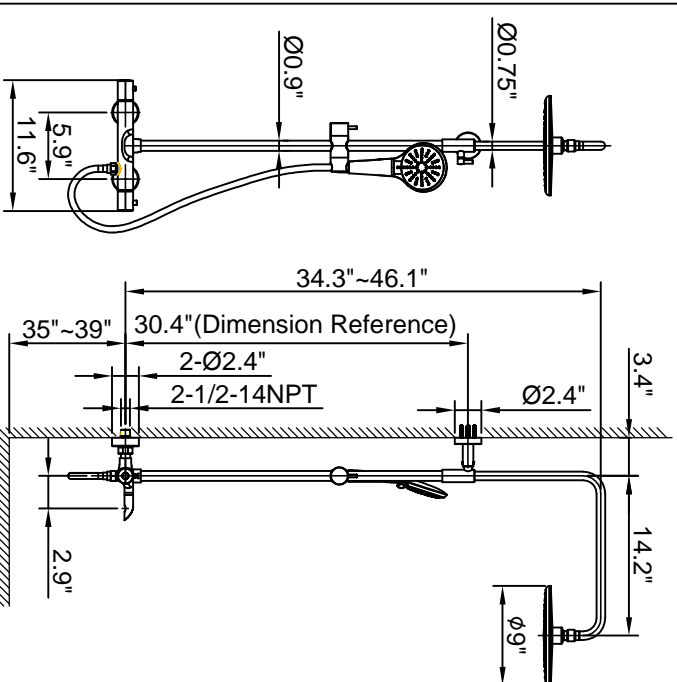
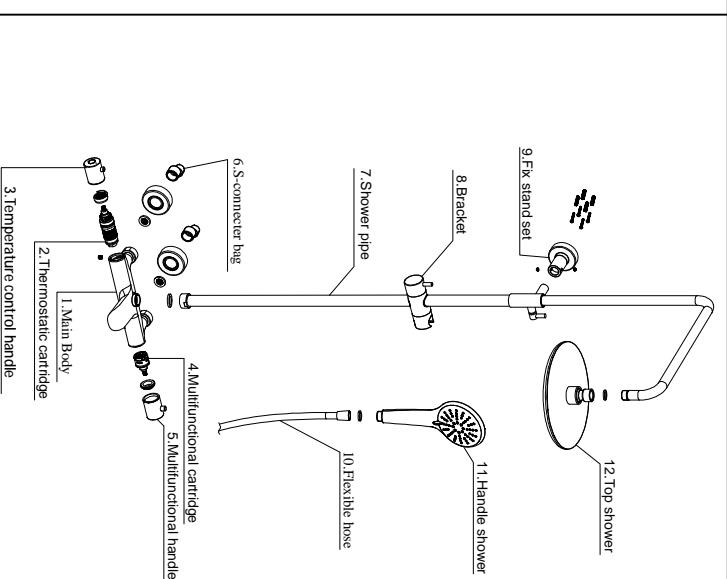
1、Installation Notice

- 1.1、Please double-check the accessory list hereinafter and contact our distributor for any uncomformity.
- 1.2、Please do not attempt to disassemble the main body as it has been installed & commissioned correctly & precisely before leaving the factory.
- 1.3、The hot water supply should be connected to the left and the cold water supply to the right, when viewed from the operating position. If this is not taken into account can cause permanent damage to the cartridge.
- 1.4、Supply lines should be purged to clean impurities before connecting the unit.
- 1.5、The water pressure is 0.05MPa-1.0MPa (including cold & hot water pressure), suitable for water temperature is from 39°F to 200°F.
- 1.6、Without affecting their performance, accessories may be changed without further notice.
- 1.7、Warm reminder:
In the cold areas or the indoor temperature is less than 4 °C in winter, if no using the faucets for a long time, please turn off the inlet water valve and drain the remaining water inside the supply pipe, which can avoid the faucet damage caused by the expansion of the frozen water.

2、Installation Preparation

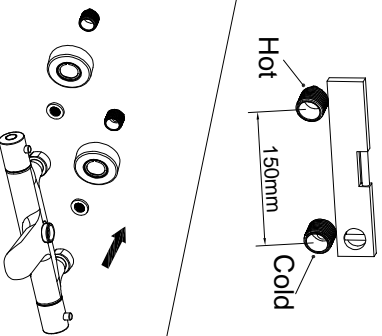
- 2.1、Please read users manual carefully before installation.
- 2.2、The installation must be performed by a qualified person.

3、Installation processes

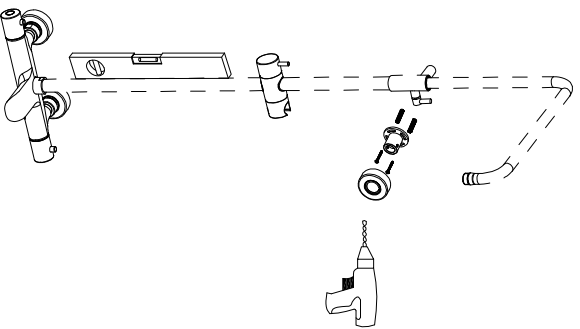




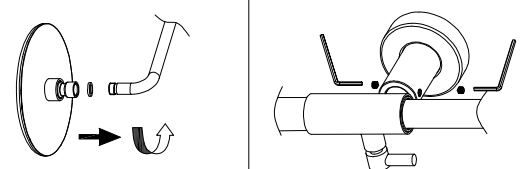
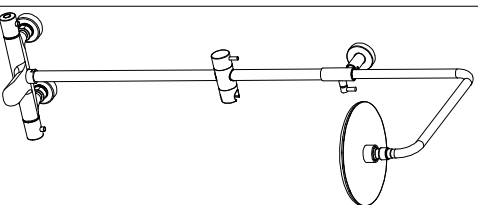
1



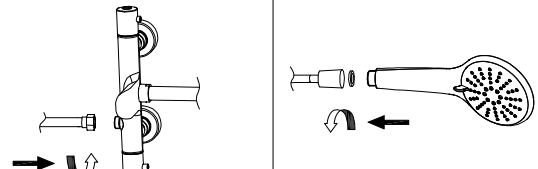
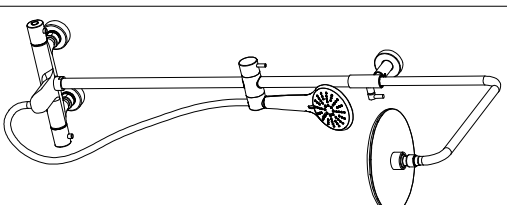
2



3



4



4. Temperature Limitation

The safety stop limits the temperature range of 38 ° C, by pressing the button on the thermostatic handle, the temperature limit may be canceled and get a higher temperature.

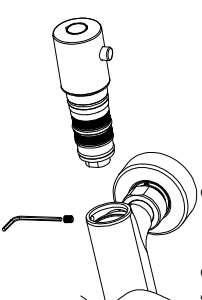
5. Thermostatic Cartridge

To ensure long-lasting functionality of this product, we recommend regular maintenance and care.

To get the thermostatic cartridge, inserted under pressure, loosen the screws on the underside of the body, as shown in the image.

Impurities and lime must clean with vinegar or softener, and lubricate the joint with thermo-resistant grease or oils.

Proceed to re-install the cartridge making operation in reverse order



Exposed Faucet

6. Cleaning and Maintenance

To remove lime stains from the surface of the taps, just soap and water; or with specific products for chrome, rinse thoroughly and dry with a cloth. Avoid acidic detergents, scouring pads or steel wool, as it can damage the chrome parts. Cleaning of plastic or rubber parts, is made with the same care as chrome surfaces, avoiding the use of solvents, detergents or alcohol-based product.

- The aerator should be cleaned regularly to prevent clogging.
- In hard water areas will require more frequent cleaning.

7. Problems and Solutions

If there is no hot or cold water

Check that the pipes or filters are not clogged, that the pressures are balanced and that the thermostatic cartridge has no impurities.

If the movement of the thermostatic cartridge is hard / difficult

Leaving the water running, move the handle thermostatic repeatedly until the movement is smoother