

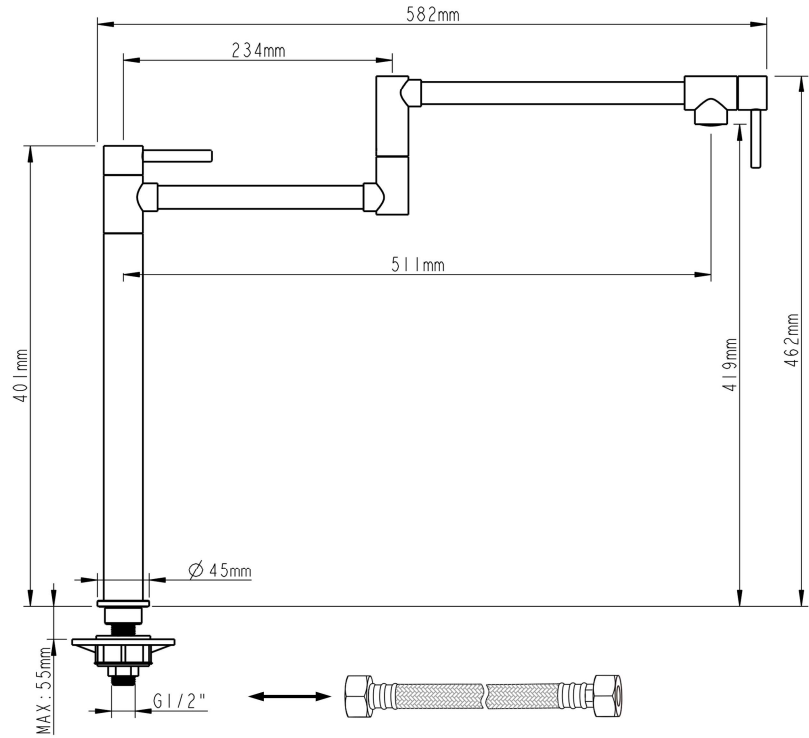
TRADITIONAL COUNTER MOUNTED POTFILLER SPECS - LEVER HANDLE



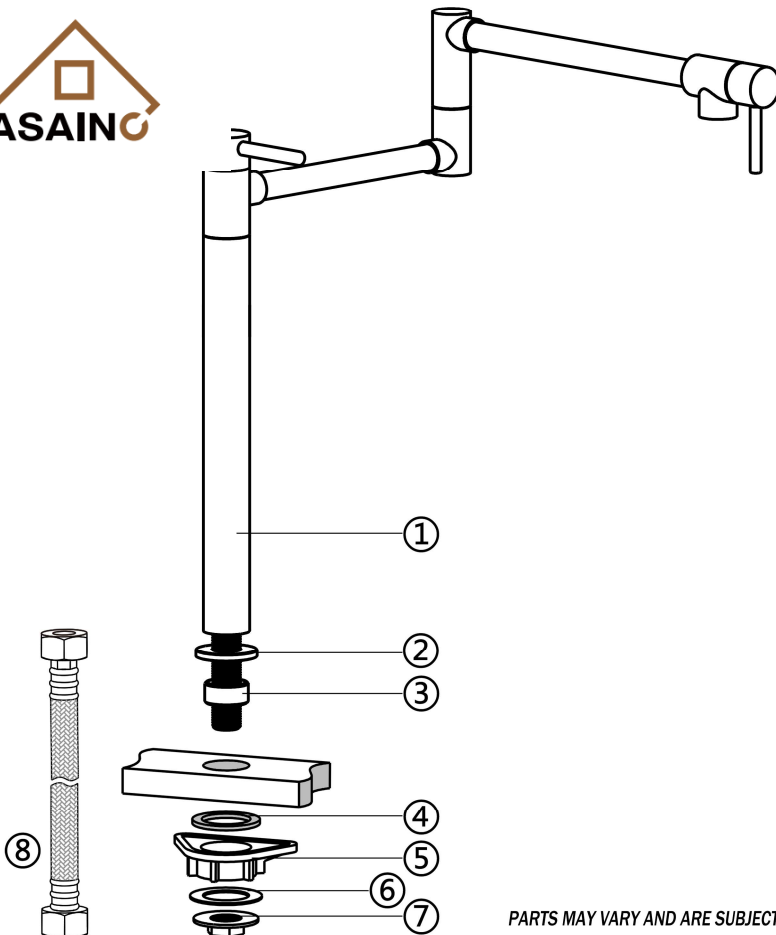
PRODUCT DESCRIPTION

- Fill up your cooking pots directly on the stove.
- Counter mounted next to stove.
- Cold water hook up.
- Articulated spout reach swings **511mm**.
- Compatible with Reverse Osmosis filtration systems.
- Solid brass construction.
- 1/4 turn ceramic disk valve cartridge.
- Stub-out connection **G1/2"**.
- Single lever handle.
- Reinforced braided connection hose.

- Counter Thickness 35mm (max 55mm without the Triangular base)
- Minimum Install Hole Size G1/2"



DIMENSIONS MAY VARY AND ARE SUBJECT TO CHANGE. NO RESPONSIBILITY IS ASSUMED FOR USE OF SUPERCEDED OR VOIDED DATA



| No. | Part Name | PCS |
|-----|------------------|-----|
| 1 | Tap body | 1 |
| 2 | Decorative cover | 1 |
| 3 | Snap Nut | 1 |
| 4 | Rubber Washer | 1 |
| 5 | Triangular Base | 1 |
| 6 | Metal Washer | 1 |
| 7 | Fixing Nut | 1 |
| 8 | Flexible Hose | 1 |

PARTS MAY VARY AND ARE SUBJECT TO CHANGE. NO RESPONSIBILITY IS ASSUMED FOR USE OF SUPERCEDED OR VOIDED DATA