

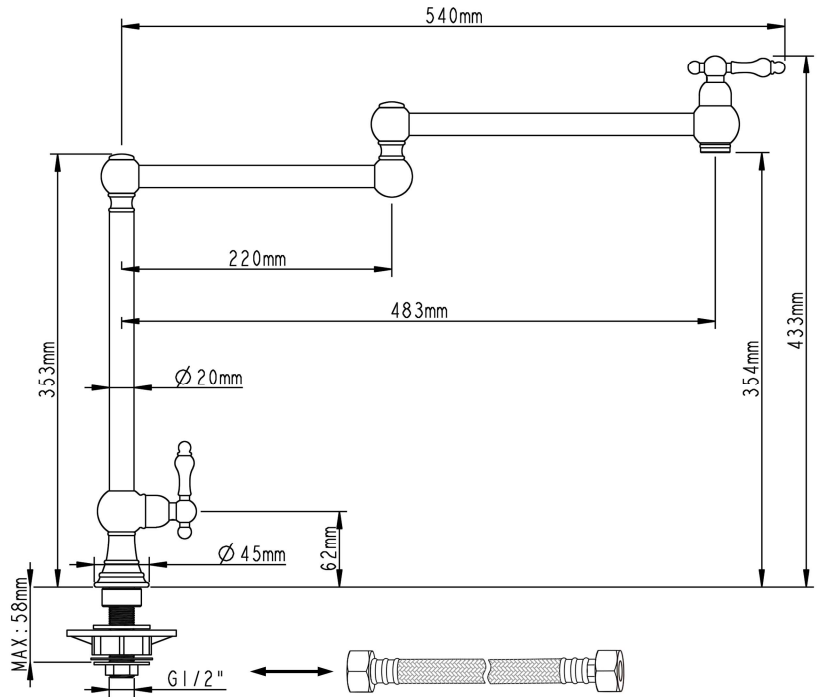
TRADITIONAL COUNTER MOUNTED POTFILLER SPECS - LEVER HANDLE



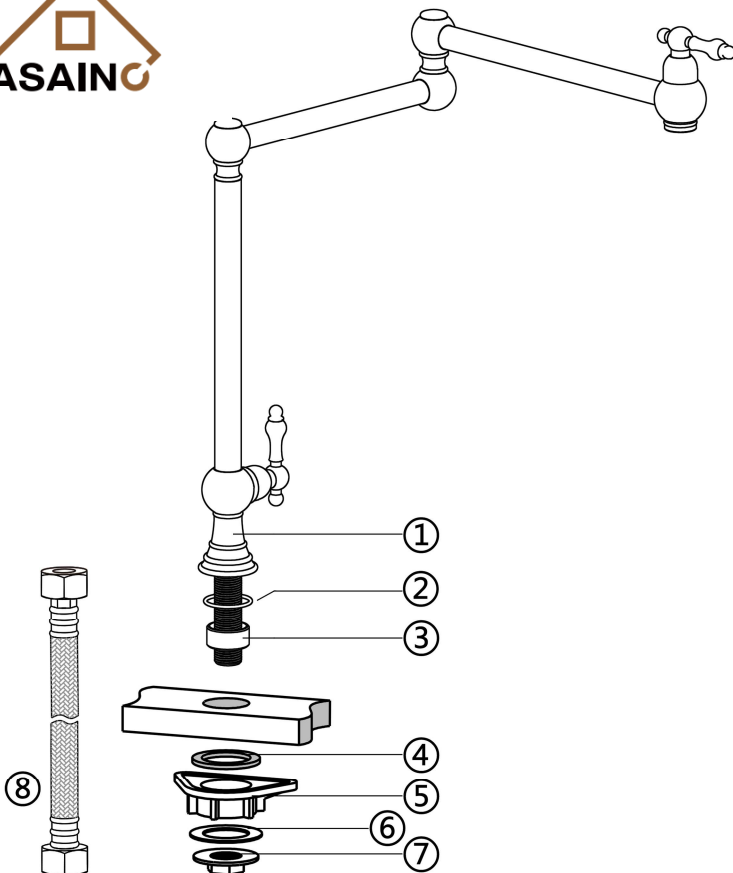
PRODUCT DESCRIPTION

- Fill up your cooking pots directly on the stove.
- Counter mounted next to stove.
- Cold water hook up.
- Articulated spout reach swings 483mm.
- Compatible with Reverse Osmosis filtration systems.
- Solid brass construction.
- 1/4 turn ceramic disk valve cartridge.
- Stub-out connection **G1/2"**.
- Single lever handle.
- Reinforced braided connection hose.

- Counter Thickness 24mm (max 58mm without the Triangular base)
- Minimum Install Hole Size G1/2"



DIMENSIONS MAY VARY AND ARE SUBJECT TO CHANGE. NO RESPONSIBILITY IS ASSUMED FOR USE OF SUPERCEDED OR VOIDED DATA



No.	Part Name	PCS
1	Tap body	1
2	O ring	1
3	Snap Nut	1
4	Rubber Washer	1
5	Triangular Base	1
6	Metal Washer	1
7	Fixing Nut	1
8	Flexible Hose	1

PARTS MAY VARY AND ARE SUBJECT TO CHANGE. NO RESPONSIBILITY IS ASSUMED FOR USE OF SUPERCEDED OR VOIDED DATA