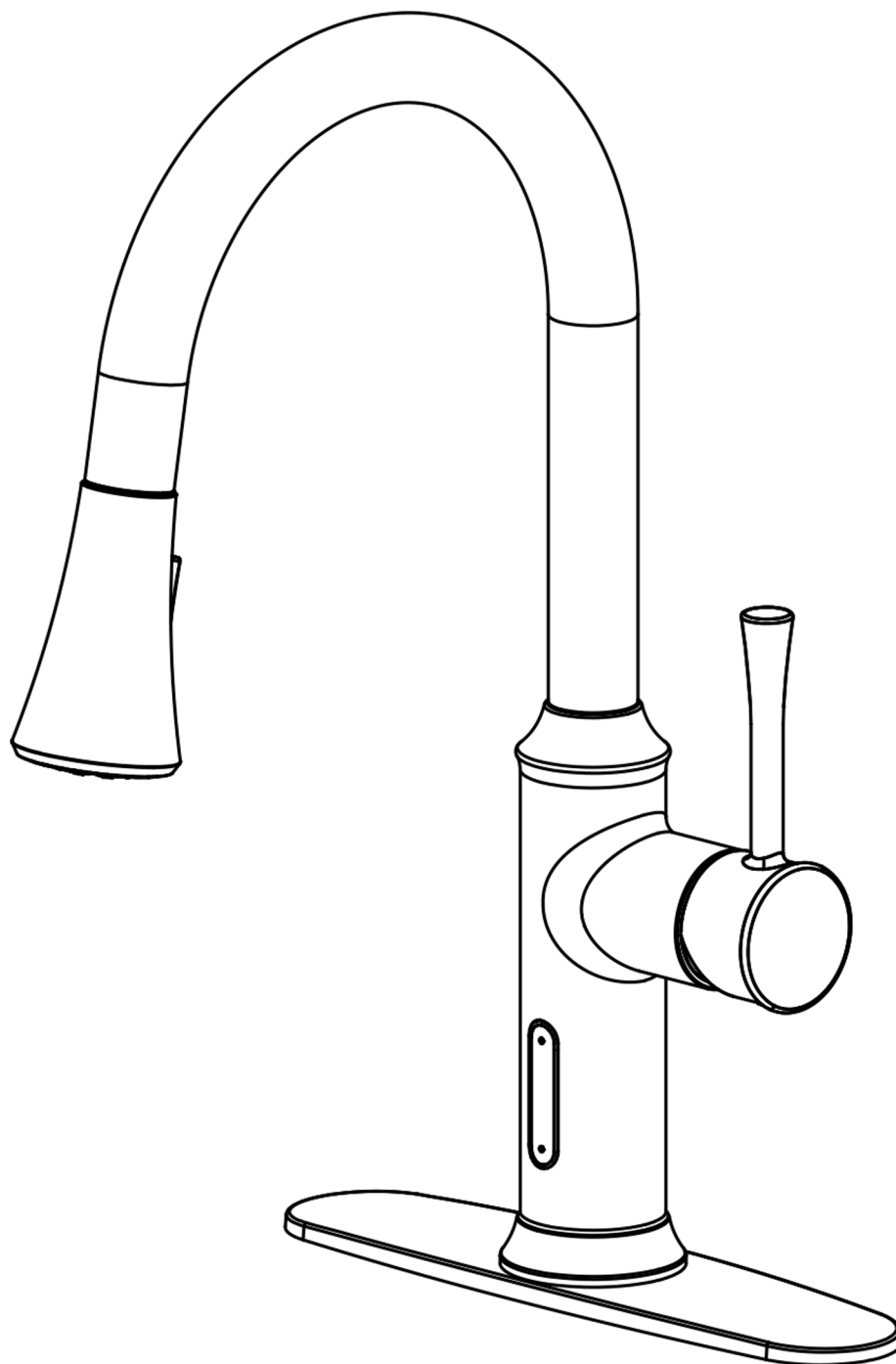


Voice And Sensor Activated Kitchen Faucet



KCLT0044

Technical Parameters:

Function type	Infrared Sensing	Voice Command
Power supply	AC Adapter (DC 6V)	
Applicable water pressure	20-125 (PSI)	
Sensor range	20 - 80mm [0.8-3.15"]	<2500mm [98"]
Standby power consumption	<0.33mW	
Inlet hose specification	9/16-24UNFE-2B	
Response time	open<1 Sec., close<1 Sec.	
Automatic shut-off	After 3 minutes of inactivity, the water will automatically shut OFF	

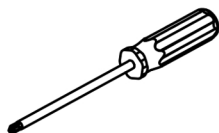
Note:

The range of the voice command is only an approximation and can be affected by factors such as the environment and background noise.

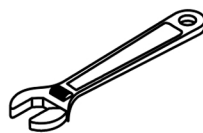
Tools required for installation:



Electric drill



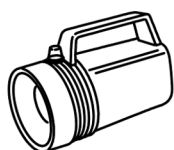
Screwdriver



Wrench



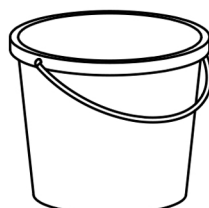
Pencil



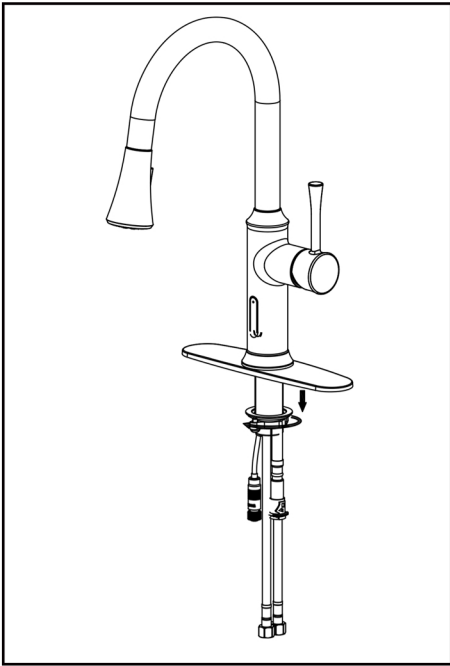
Flashlight



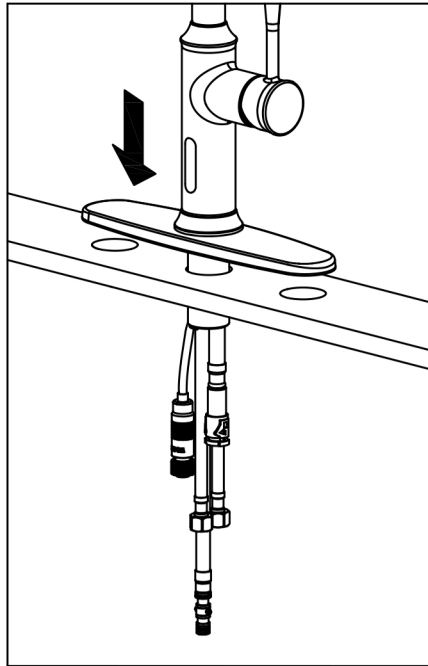
Glass



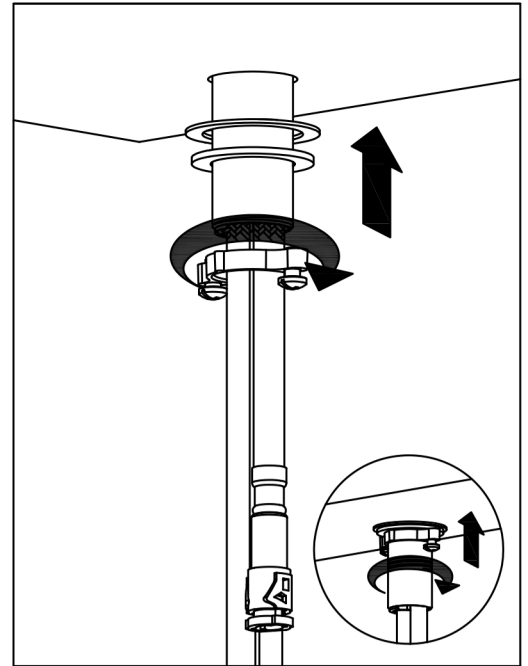
Bucket



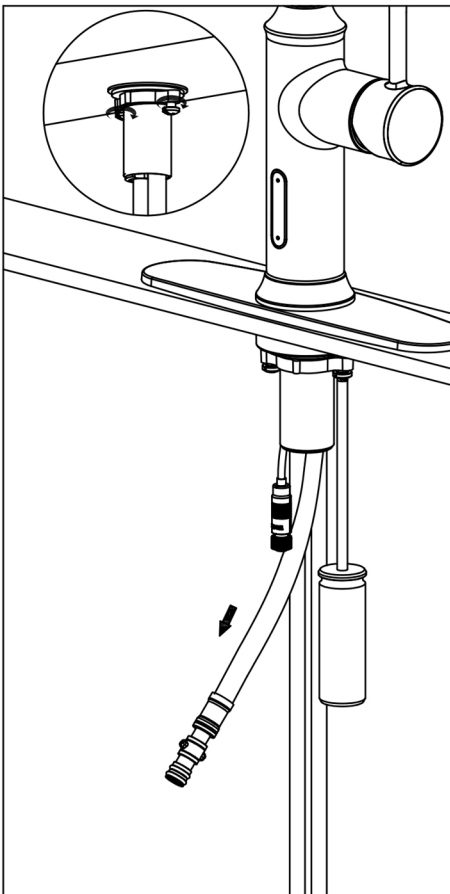
1. Remove mounting hardware from faucet.



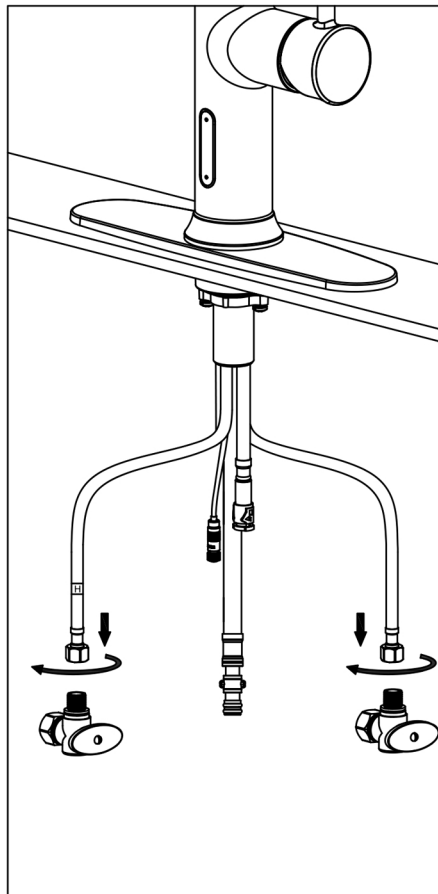
2. Insert the hot and cold supply lines, spray hose and shank through the hole in the countertop.



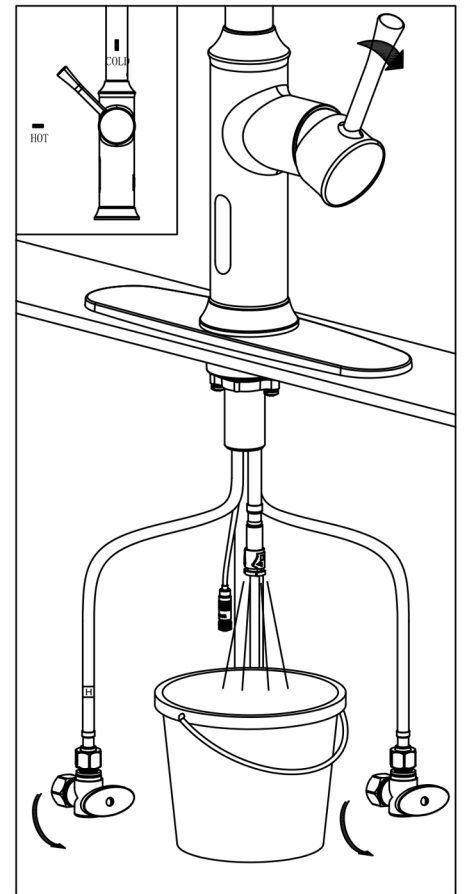
3. Install the rubber washer, metal washer, and quick nut onto the faucet shank in that order underneath the countertop. Tighten down the mounting nut ensuring the faucet is in the proper position.



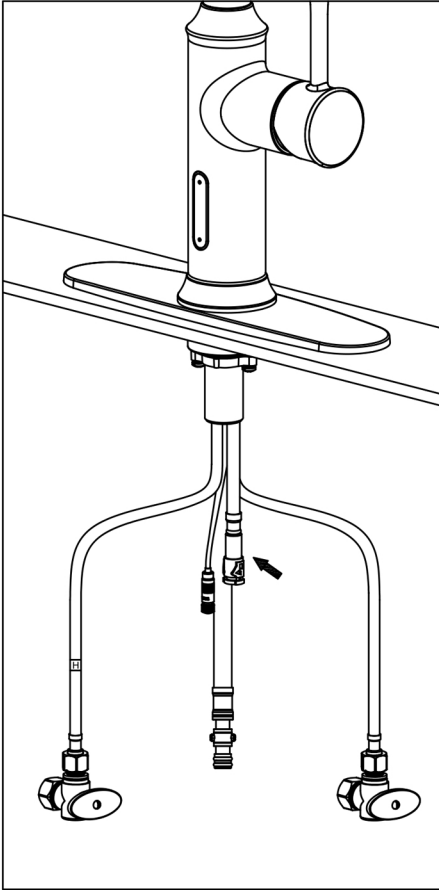
4. Use a screwdriver to tighten the screws on the mounting nut securing the faucet to the countertop.



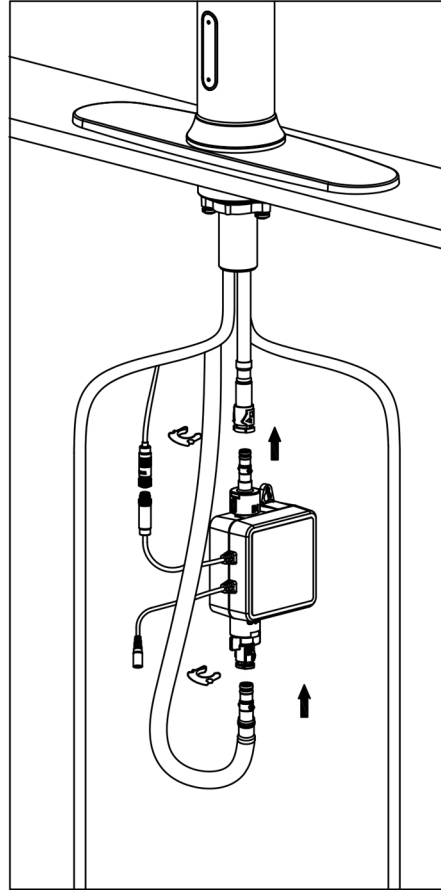
5. Connect the open ends of the hot and cold supply lines to the shut off valves. Ensure the faucet is in the off position. Turn on the shut off valves.



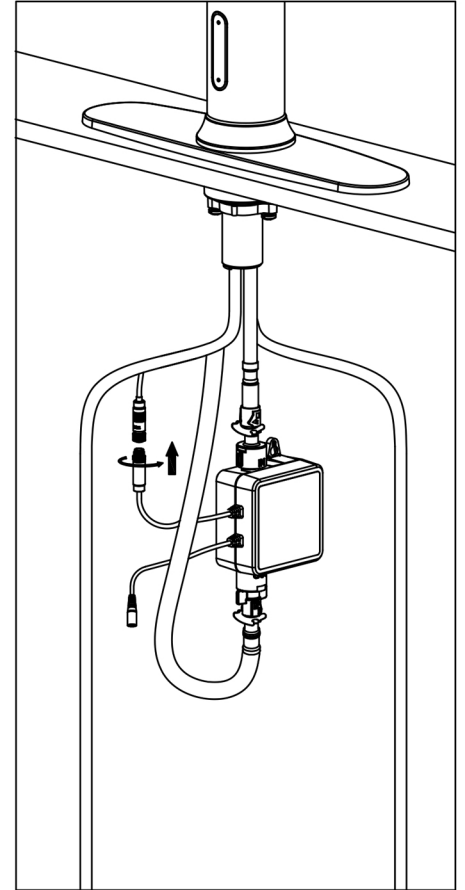
6. Place a bucket under the open supply lines, and open the shut off valves to flush out any debris that may be in them.



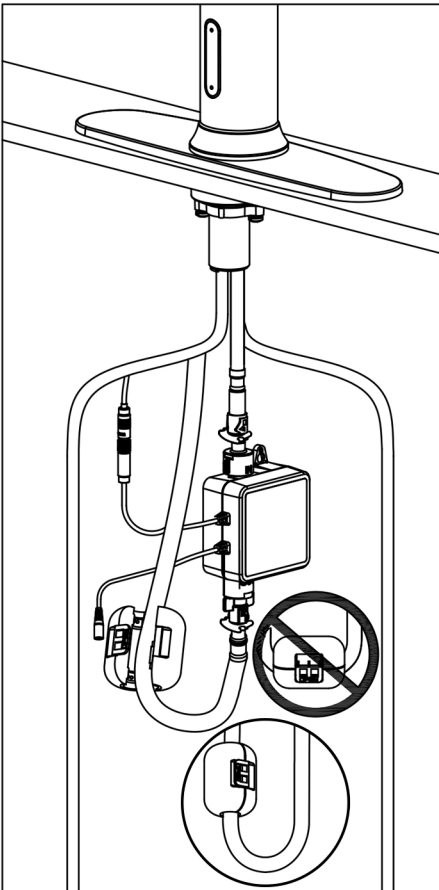
6. Dry connection before attaching controller.



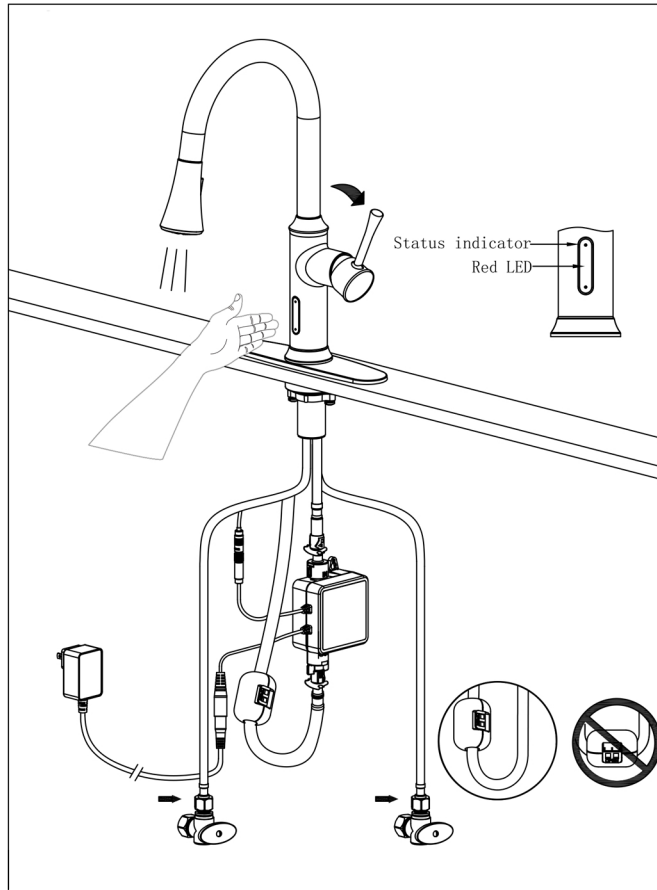
7. Connect controller.



8. Align arrows and tighten controller sensor to faucet.



9. Attach weight to sprayer hose.



Note: the faucet will stop automatically after 180 seconds of water outflow.

Maintenance:
Take care when cleaning the faucet, we recommend cleaning with a soft cloth. Do not use any strong corrosive cleaners.

1. Connected power supply.
2. Check red LED is flash.
3. Check status indicator light is on.
4. Open the handle and check for any water leaking at each connection.



Voice Command:

Wave Sensor				
	Action	Response	Working	Response
Basic Control	Wave	Water on	after 3 min, auto shut off the water	Water off/Done
			User can shut off the water any time during the 3 min, just "Wave" again.	
			Action	
			Wave	

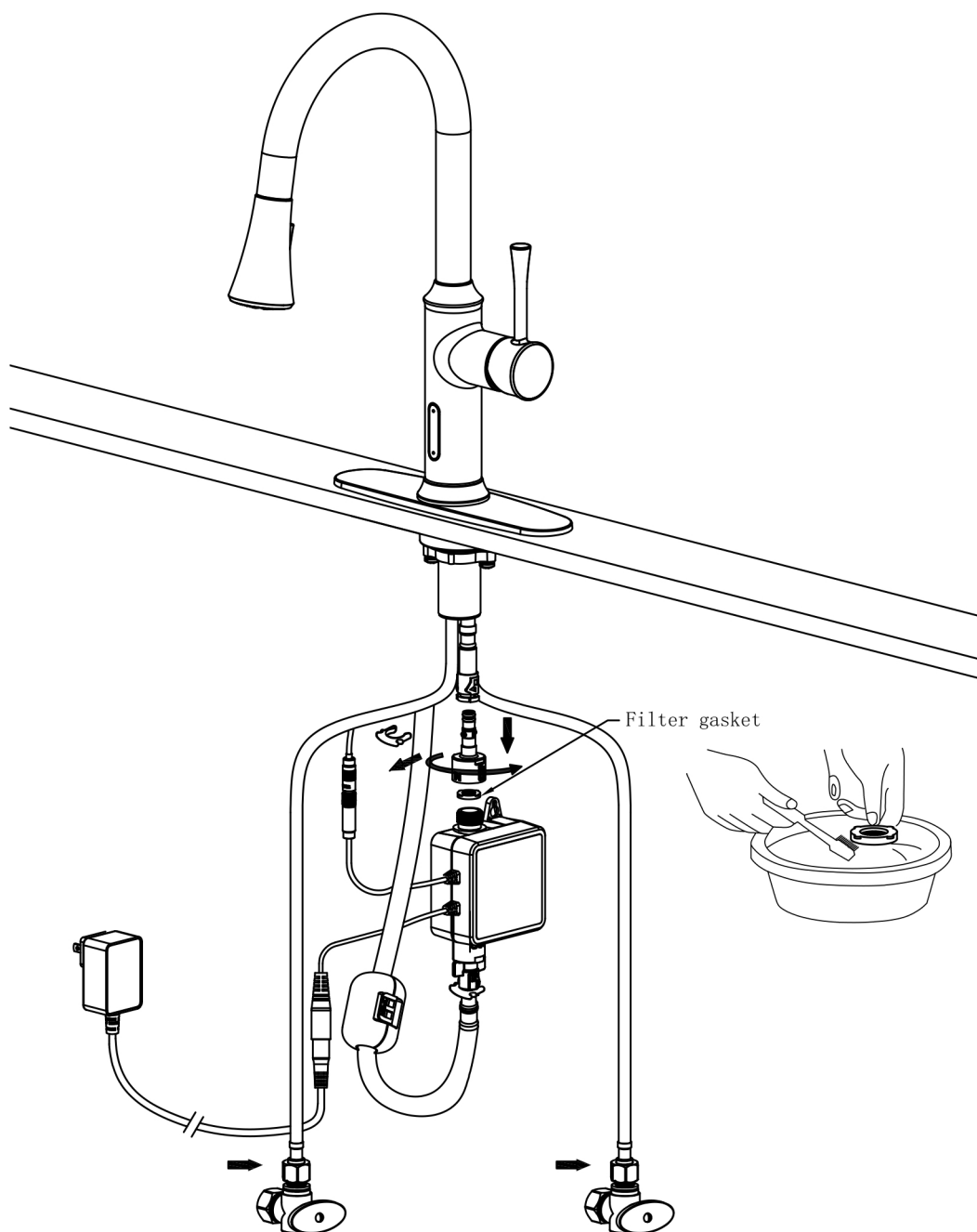
Voice Command						
	Trigger word	Response	Command word	Response	Working	Response
Basic Control	Hi Myra	Hello	Water on	Water on	after 3 min, auto shut off the water	Water off/Done
					User can shut off the water any time during the 3 min, and it doesn't need trigger word again, just say "Water off"	
					Command word	
					Water off	

Voice Command						
	Trigger word	Response	Command word	Response	Working	Response
Special Function	Hi Myra	Hello	1 minute	Water on 1 minute	after 1 min, auto shut off the water	Water off/Done
			5 minutes	Water on 5 minute	after 5 min, auto shut off the water	
			10 minutes	Water on 10 minute	after 10 min, auto shut off the water	
					User can shut off the water any time during the 1 min, 5 min or 10 min, and it doesn't need trigger word again, just say "Water off"	
					Command word	
					Water off	

Voice Command				
	Trigger word	Response	Command word	Response
Volume Adjusting	Hi Myra	Hello	Volume High	Volume High
			Volume up	Volume up
			Volume medium	Volume medium
			Volume down	Volume down
			Volume Low	Volume Low

Cleaning filter:

1. Take off the C-clip and remove adapter from the water outlet hose.
2. Remove the filter screen from the adapter and clean it.
3. After cleaning, install the filter screen and adapter on the control box, connect it to the water outlet hose, and install the C-clip.



LED signal description:

1. When the battery is connected, the LED light flashes 7 times.
2. When sensing, the LED light flashes 1 time with the status indicator light and the water turns on.
3. When sensing, the LED light flashes 1 time and the water is off.