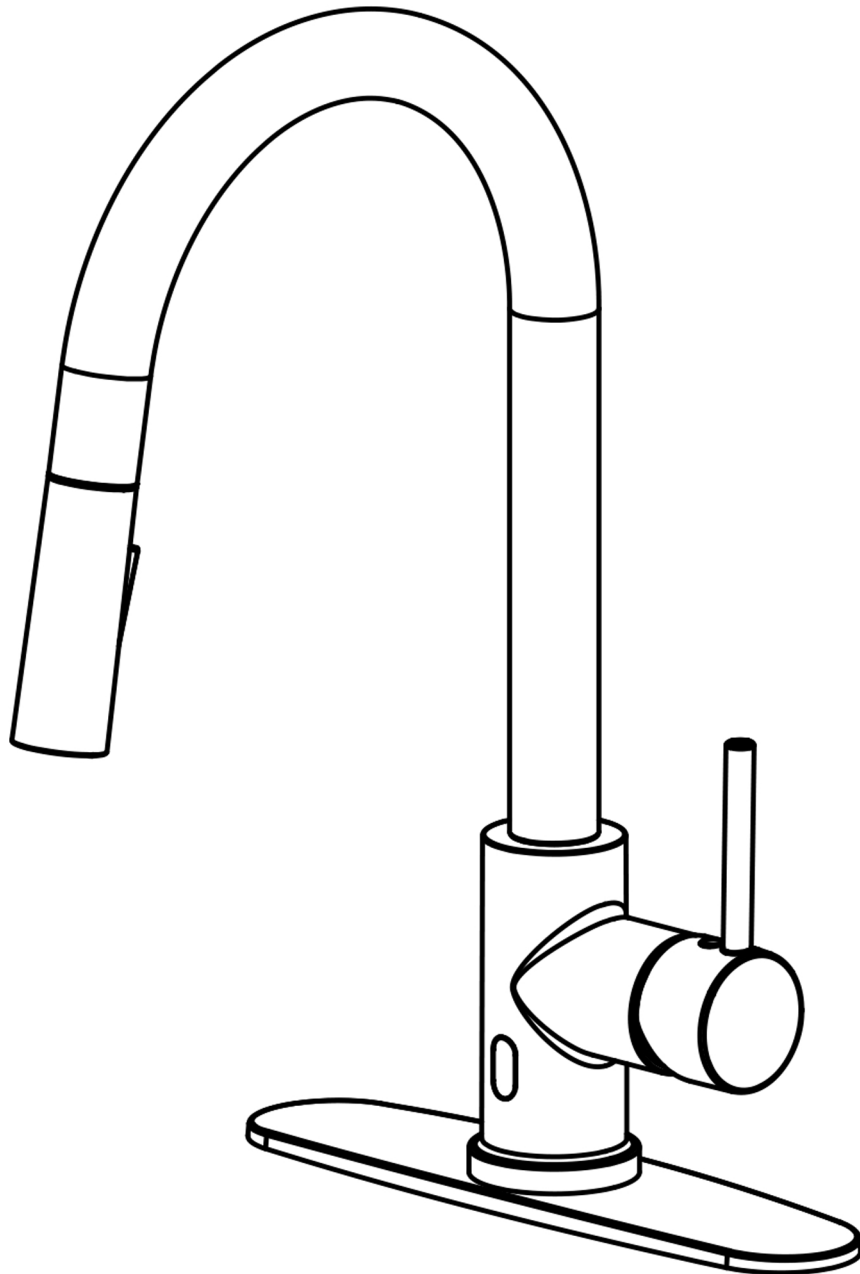


Single handle pull-down IntelliSense Faucet



KCLT0045

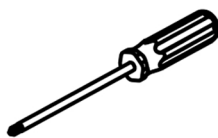
Technical parameters:

Function type	Infrared Sensing
Power supply	Four #5 alkaline batteries
Applicable water pressure	20-125 (Psi)
Sensing range	2 - 8cm
Power Waste	<0.5mW
Inlet hose specification	9/16-24UNFE-2B
Sensing time	open<1 Sec., close<1 Sec.
limit time for water flow	180-second automatically stop water

Tools required for installation:



Electric drill



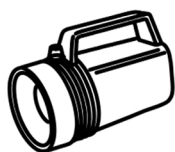
Screwdriver



Wrench



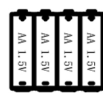
Pencil



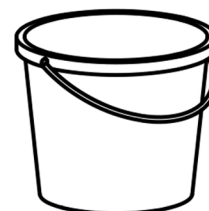
Flashlight



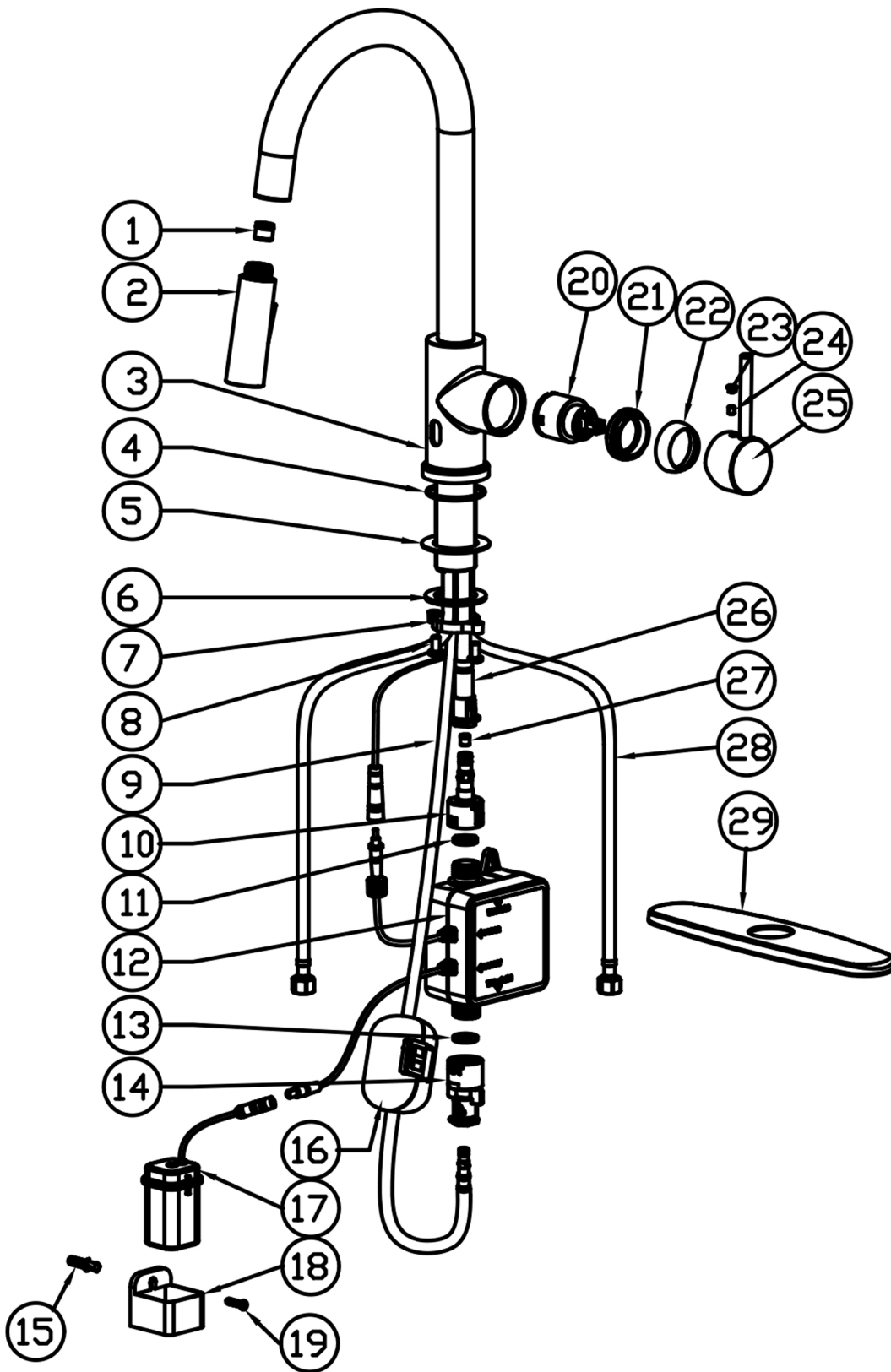
Glass



4AA 1.5V environment-friendly batteries (same brand, same specification, new battery)

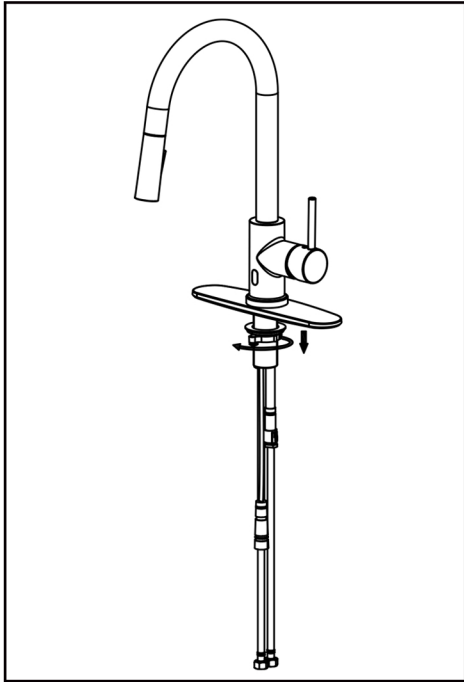


Bucket

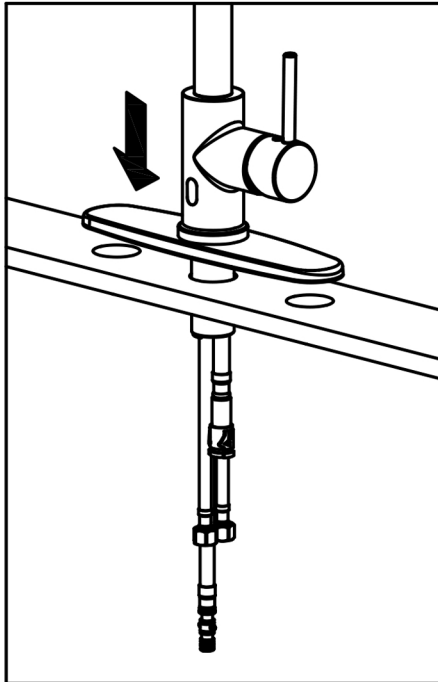


Parts List

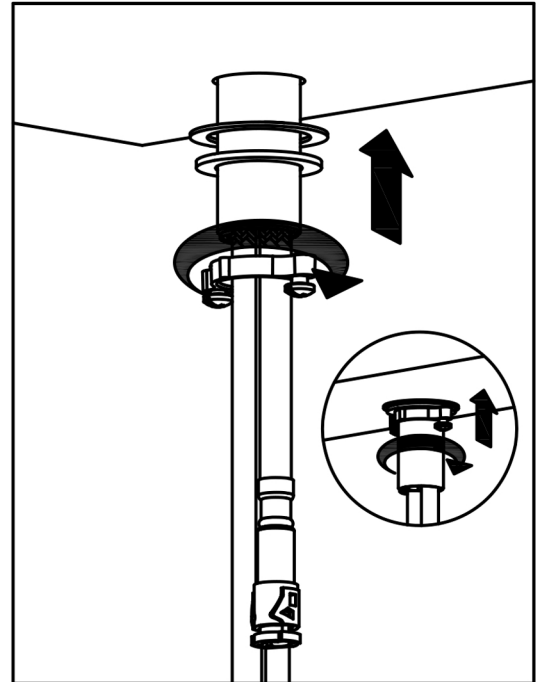
01	CHECK VALVE	1
02	SPRAY HEAD	1
03	FAUCET BODY	1
04	O-RING	1
05	RUBBER WASHER	1
06	METAL WASHER	1
07	MOUNTING NUT	1
08	SCREW	2
09	HOSE	1
10	ADAPTER	1
11	WASHER	1
12	TOUCH SENSING CONTROL BOX	1
13	WASHER	1
14	ADAPTER	1
15	PLASTIC ANCHOR	1
16	KEY BOLT	1
17	BATTERY BOX	1
18	BATTERY BOX COVER	1
19	ANCHOR SCREW	1
20	CARTRIDGE	1
21	THREADED SLEEVE	1
22	COVER	1
23	CAP	1
24	SCREW	1
25	HANDLE	1
26	OUTLET	1
27	CHECK VALVE	1
28	SUPPLY LINE	2
29	BASE PLATE	1



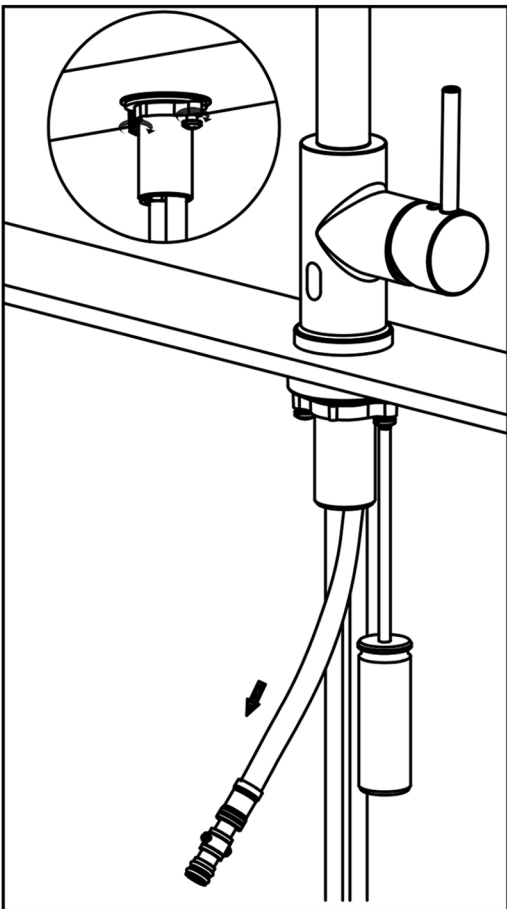
1. Remove mounting hardware from faucet.



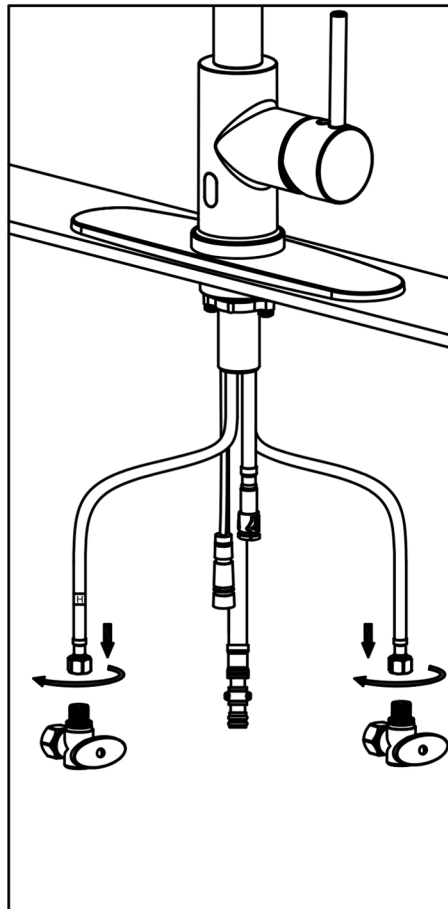
2. Insert the hot and cold supply lines, spray hose and shank through the hole in the countertop.



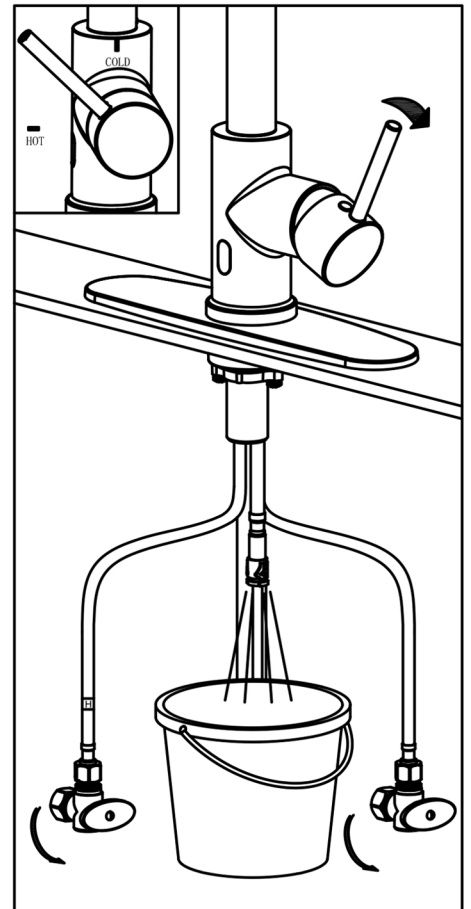
3. Install the rubber washer, metal washer, and quick nut onto the faucet shank in that order underneath the countertop. Tighten down the mounting nut ensuring the faucet is in the proper position.



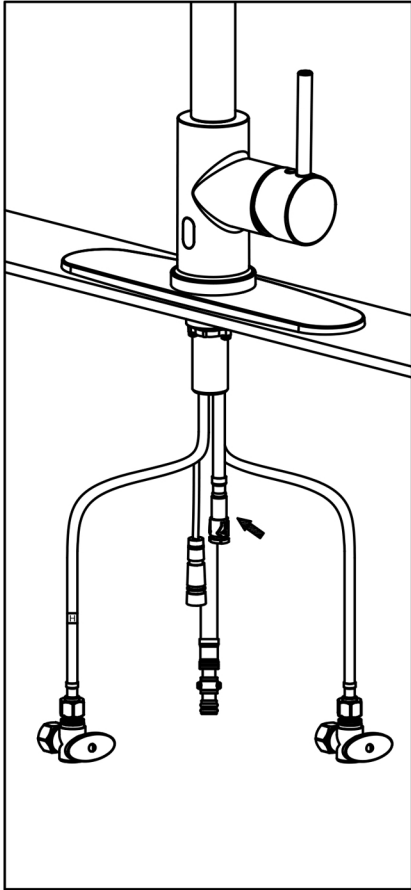
4. Use a screwdriver to tighten the screws on the mounting nut securing the faucet to the countertop.



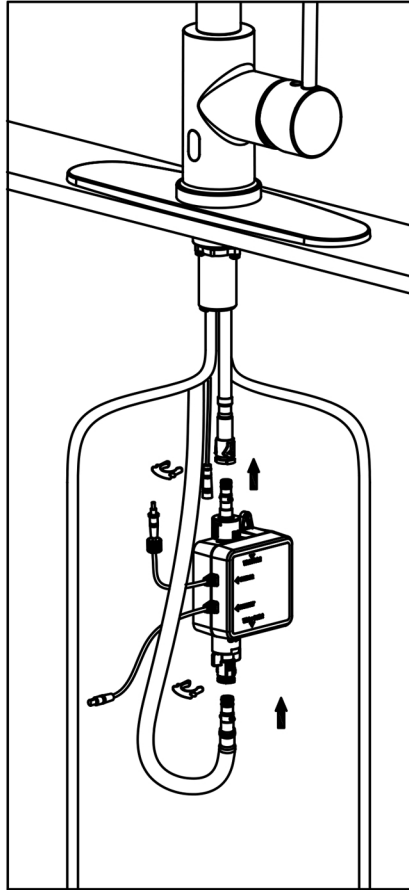
5. Connect the open ends of the hot and cold supply lines to the shut off valves. Ensure the faucet is in the off position. Turn on the shut off valves.



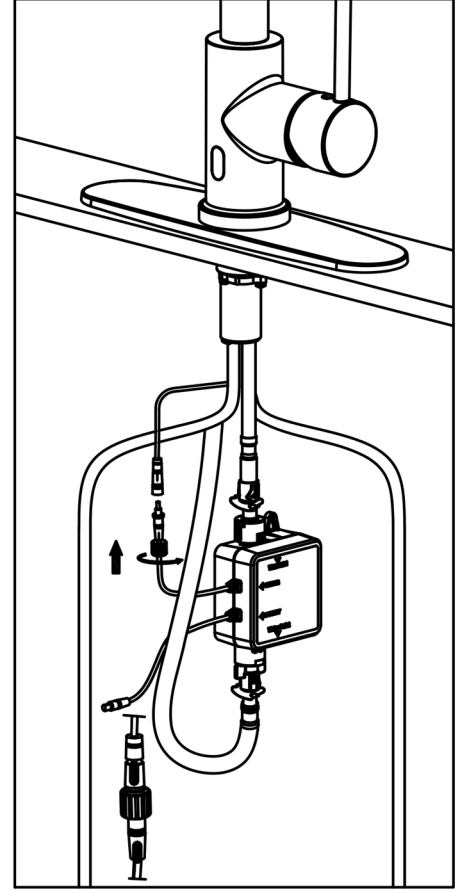
6. Place a bucket under the open supply lines, and open the shut off valves to flush out any debris that may be in them.



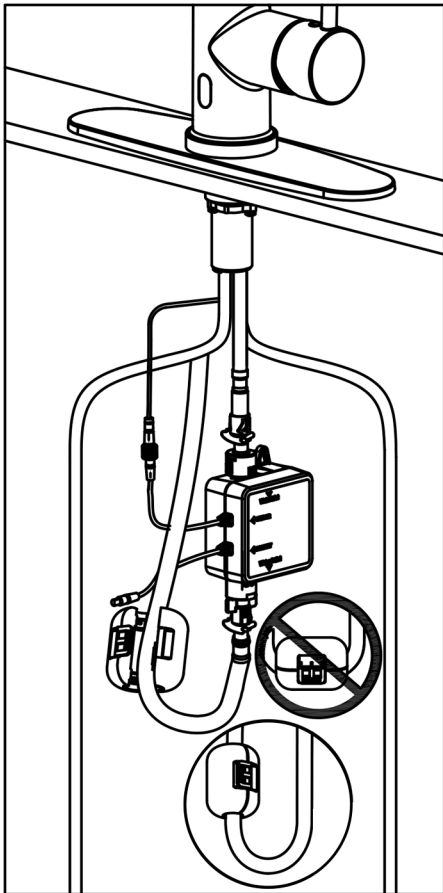
7. Dry connection before attaching controller.



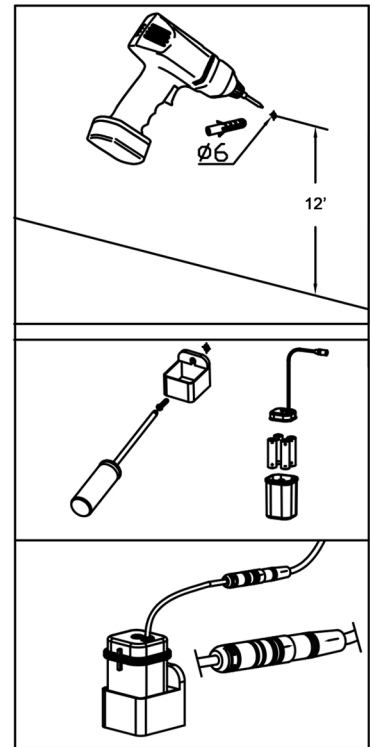
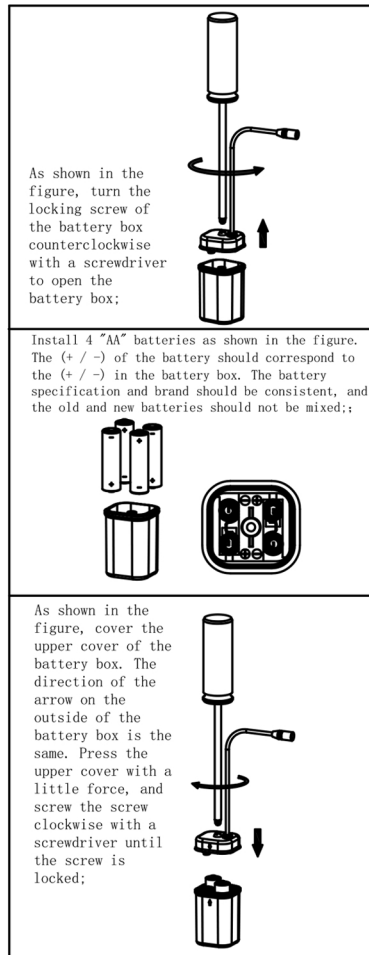
8. Connect controller.



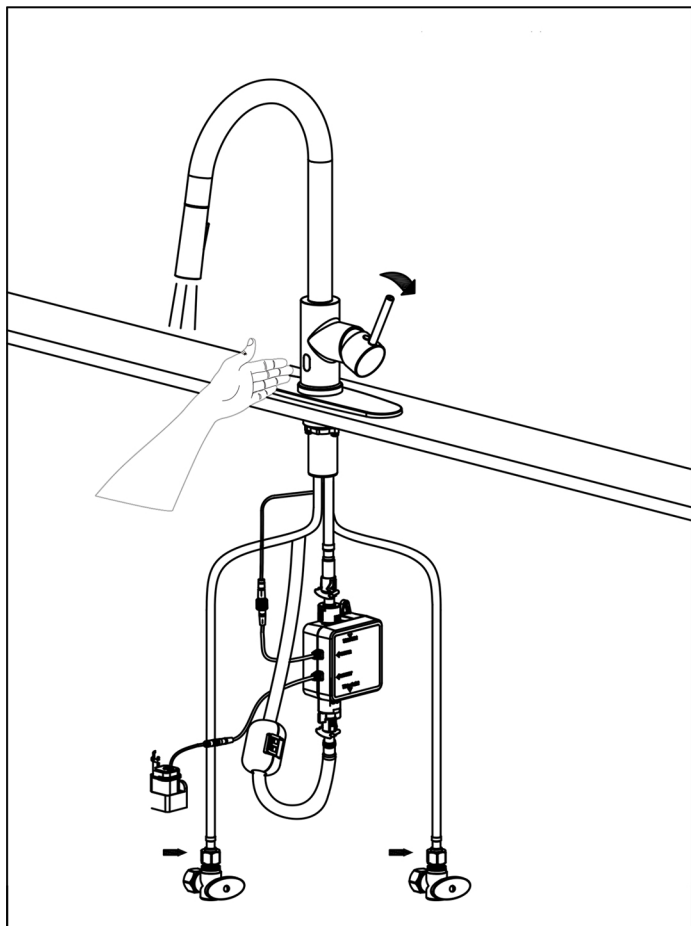
9. Align arrows and tighten controller sensor to faucet.



10. Attach weight to sprayer hose.



Fix the battery box as shown in the figure, and the size is consistent with the installation reference size. Then connect the battery to the power line of the control box. Note: the adapters at both ends are marked with arrows, and insert them after the arrows are aligned.

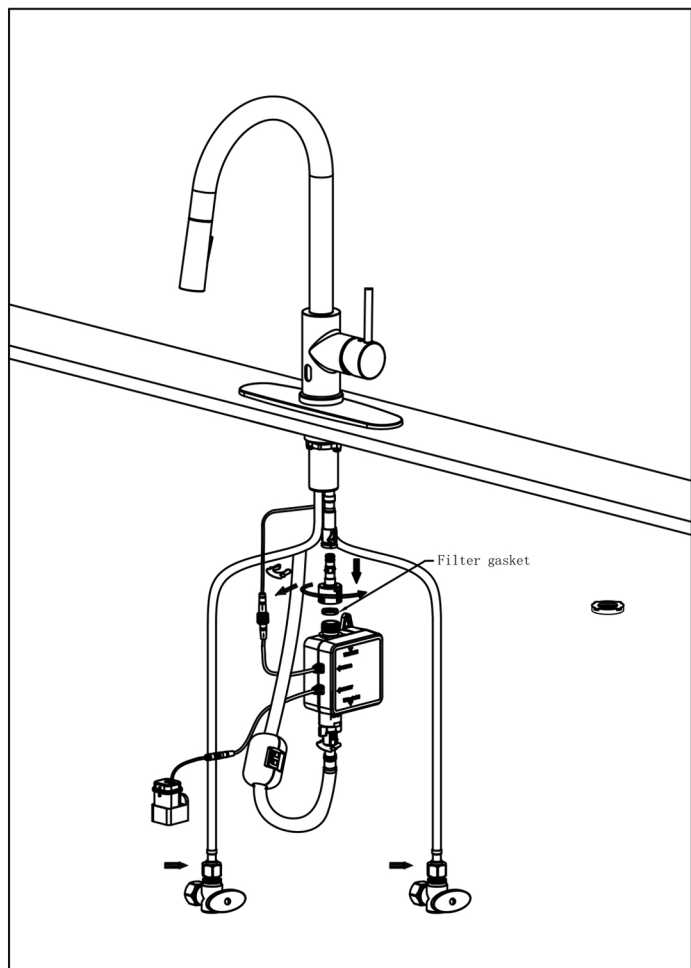


Note: the faucet will stop automatically after 90 seconds of water outflow.

Maintenance:

Our products are finished hardware products, so we need you to take care to prevent them from being scratched. We recommend cleaning the product with a soft wet cloth and do not use strong corrosive cleaners.

Open the handle, use the hand to sense the water outlet from the faucet, and check whether there is water leakage at each connection.



Cleaning filter screen:

1. Take out the C-ring, pull it down and take out the quick adapter from the water outlet hose.
2. Rotate the quick adapter counterclockwise.
3. Remove the filter screen gasket from the quick adapter and clean it first.
4. After cleaning, install the filter screen gasket and quick adapter on the control box, connect it to the water outlet hose, and install the C-ring.



Troubleshooting:

In there is any problem with the faucet as indicated below, follow these steps to try and resolve the issue. If the problem cannot be resolved please contact the local dealer or customer service.

Problem	Cause of failure	Processing method
No water	The battery runs out	Replace the battery
	Water cut-off	Check the water supply
	The filter screen is too dirty to cause blockage	Cleaning filter screen
	The water pressure is too low	Raise the pressure
	The LED light is not on when the machine is turned on Or no action during induction	Please send it for repair
Too little water	Water supply shut down	Adjust water supply
	The filter screen is too dirty	Cleaning filter screen
	The water pressure is too low	Raise the pressure
Too much water	The water pressure is too high	Reduce the water pressure
Short battery life	Use non alkaline or inferior batteries	Replace the battery

LED signal description:

1. When the battery is connected, the LED light flashes for 2 times.
2. When sensing, the LED light flashes for 1 time and the water flows.
3. When sensing, the LED light flashes for 1 time and the water is off.
4. When the power is low, the LED light flashes rapidly for 4 times, and there is no water out at this time.