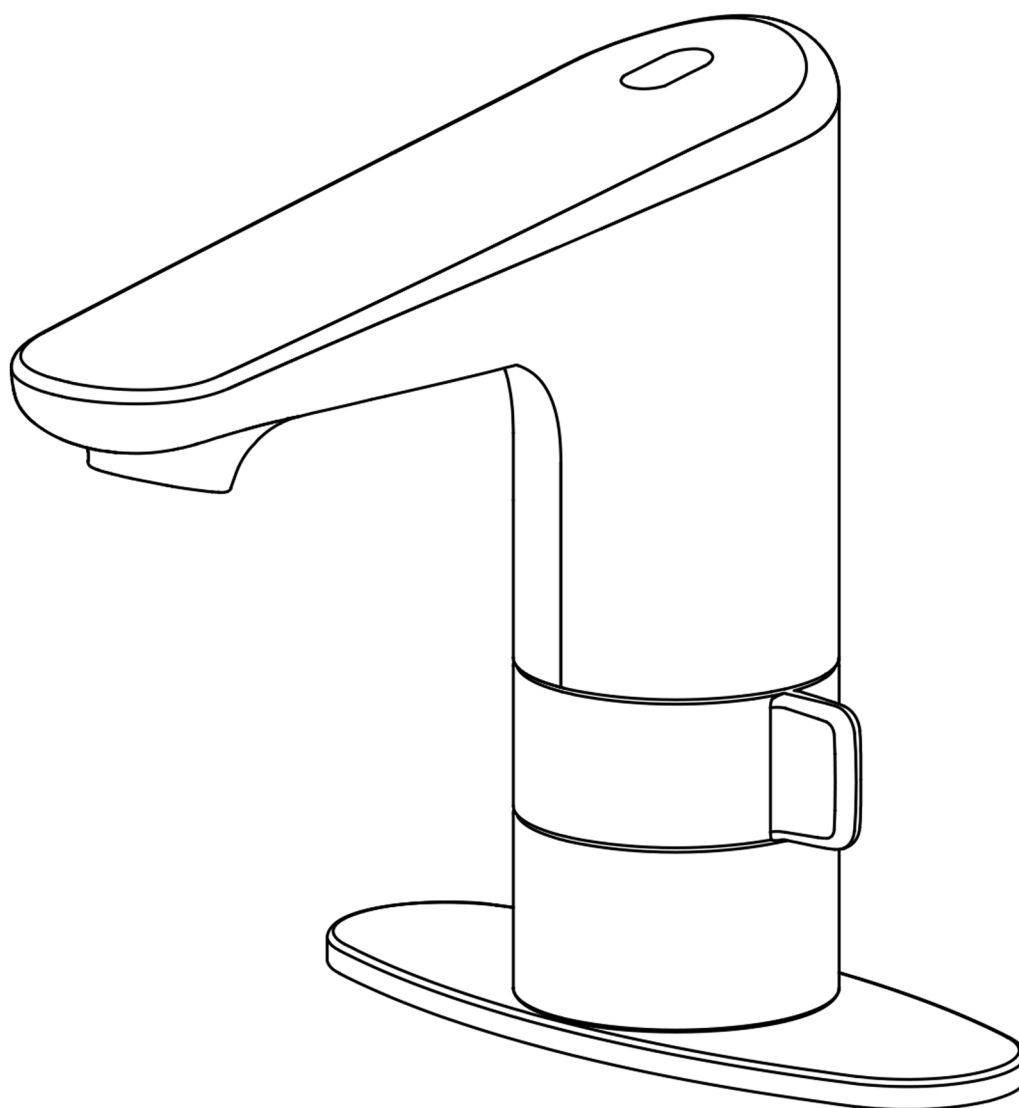


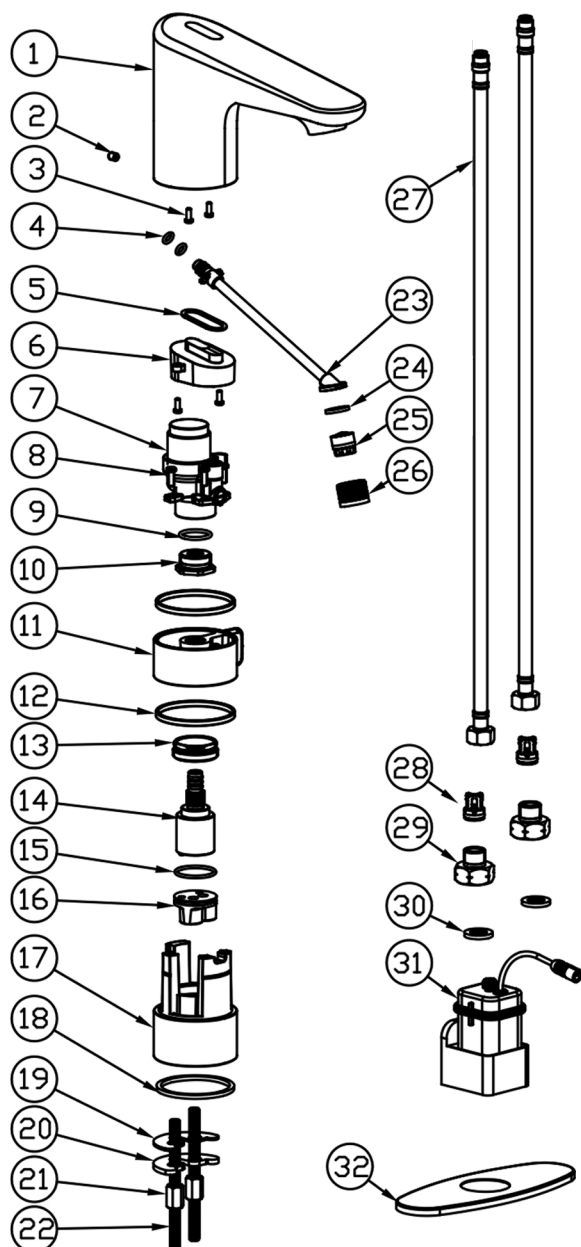
Sensor Lavatory Faucet



KCLT0046

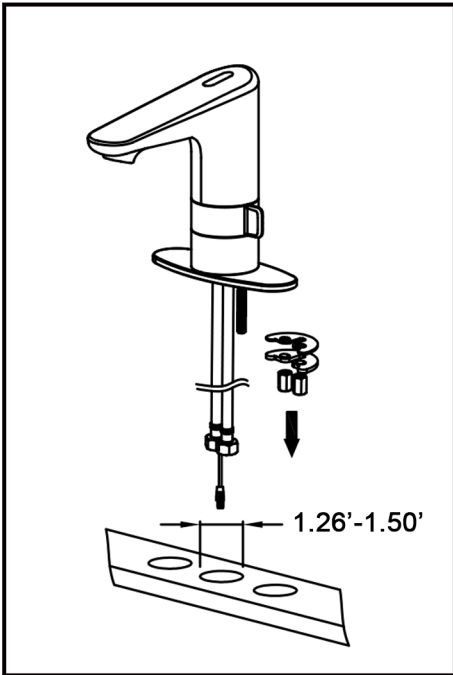
Technical parameters:

Function type	Infrared Sensing
Power supply	Four #5 alkaline batteries
Applicable water pressure	20-125 (PSI)
Sensing range	2 - 8cm
Power Waste	<0.5mW
Inlet hose specification	9/16-24UNFE-2B
Sensing time	open<1 Sec., close<1 Sec.
limit time for water flow	90-second automatically stop water

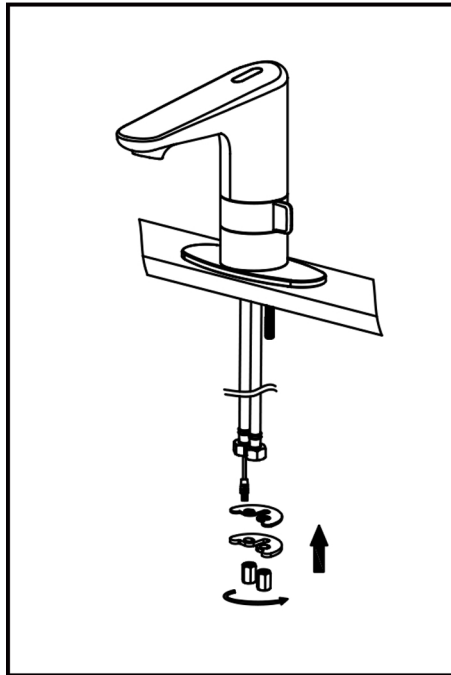


Parts List

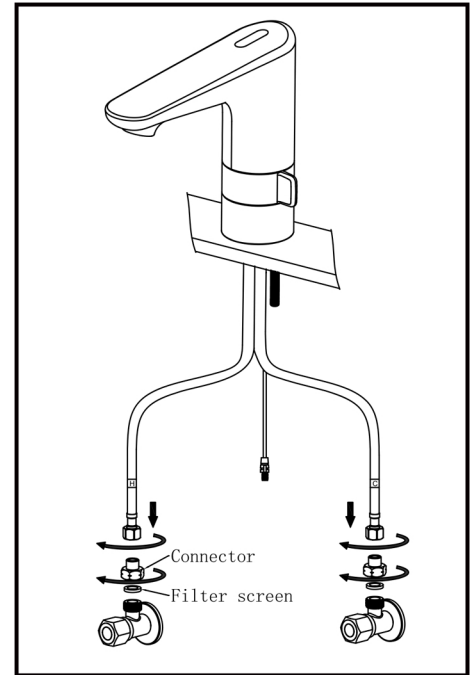
01	Spout	1
02	Screw	1
03	Screw	4
04	O-Ring	2
05	U-Washer	1
06	Sensor window assembly	1
07	Solenoid valve	1
08	Screw	3
09	O-ring	1
10	Nut	1
11	Handle	1
12	Friction ring	2
13	Retainer	1
14	Cartridge	1
15	O-ring	1
16	Base Seat	1
17	Base Seat	1
18	Washer	1
19	Rubber mounting washer	1
20	Metal mounting washer	1
21	Nut	2
22	Mounting screw	2
23	Internal spout line	1
24	Washer	1
25	Internal parts housing	1
26	Aerator body	1
27	Flexible supply lines	2
28	Check valves	2
29	Adapter	2
30	Filter screen	1
31	Battery box assembly	1
32	Base plate	1



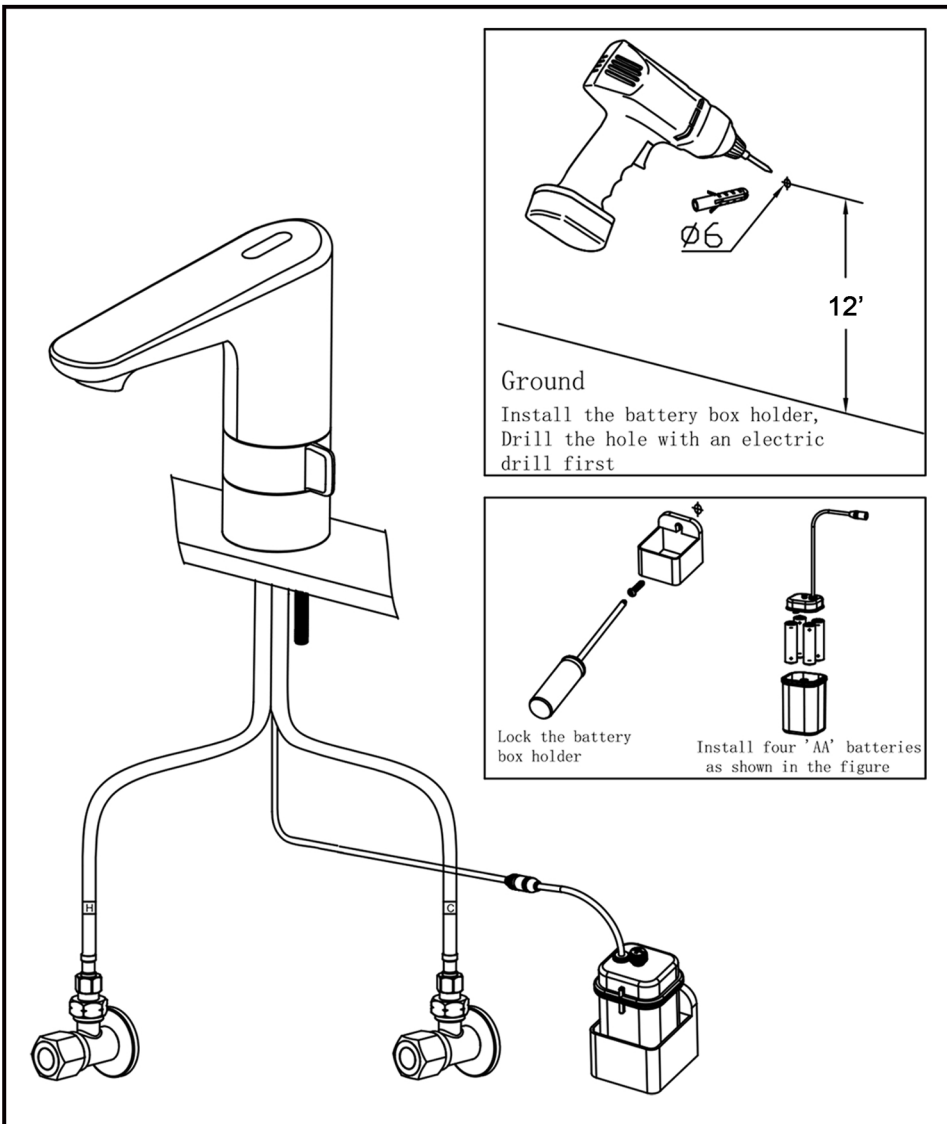
Remove the mounting parts from the faucet and insert the flexible supply lines and battery pack lead through the countertop.



Install the rubber washer, metal washer, and nut onto the faucet shank underneath the countertop. Tighten down the nut ensuring the faucet is in the proper position.

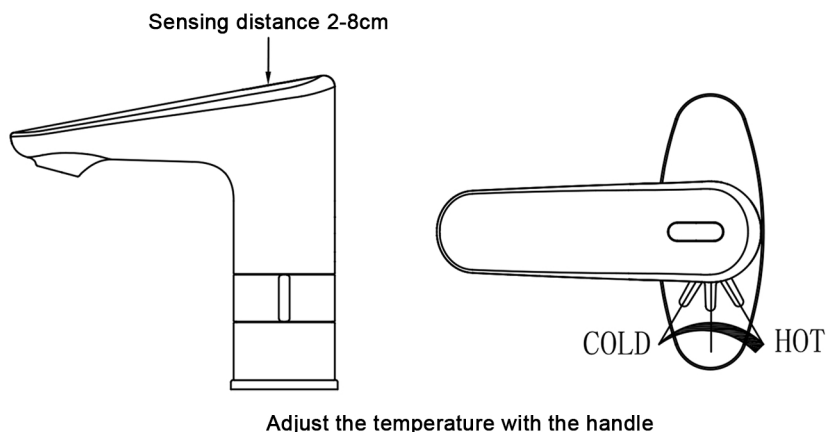


First install the adapter nut and screen washer to the hot and cold shut off valves and tighten securely. Next connect the flexible supply lines as indicated by hot and cold labels to the adapters and tighten securely.



Install the battery box. Connect the plug as shown in the figure. Pay attention to the correct direction of the plug. After connecting the battery box, it can be used normally.

Usage

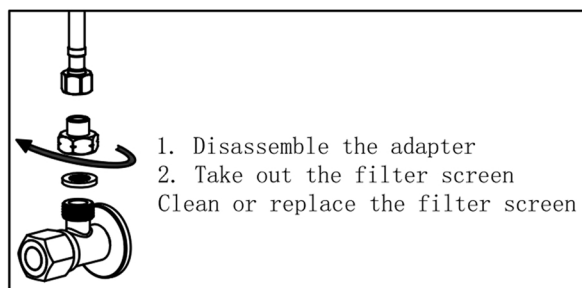


Adjust the temperature with the handle

Note: the Faucet will stop water automatically after 90 seconds

Maintenance

Our products are metal products, so we need your attention to avoid them being scratched. We suggest using soft wet cloth to clean the product instead of strong corrosive detergent. When the faucet has been used for more than 6 months or the flow becomes smaller, pay attention to close the shut off valve before cleaning the filter screen.



Troubleshooting

In there is any problem with the faucet as indicated below, follow these steps to try and resolve the issue. If the problem cannot be resolved please contact the local dealer or customer service.

Problem	Cause of failure	Processing method
No water	The battery runs out	Replace the battery
	Water cut-off	Check the water supply
	The filter screen is too dirty to cause blockage	Cleaning filter screen
	The water pressure is too low	Raise the pressure
	The LED light is not on when the machine is turned on Or no action during induction	Please send it for repair
Too little water	Water supply shut down	Adjust water supply
	The filter screen is too dirty	Cleaning filter screen
	The water pressure is too low	Raise the pressure
Too much water	The water pressure is too high	Reduce the water pressure
Short battery life	Use non alkaline or inferior batteries	Replace the battery

LED signal description:

1. When the battery is connected, the LED light flashes for 2 times.
2. When sensing, the LED light flashes for 1 time and the water flows.
3. When sensing, the LED light flashes for 1 time and the water is off.
4. When the power is low, the LED light flashes rapidly for 4 times, and there is no water out at this time.