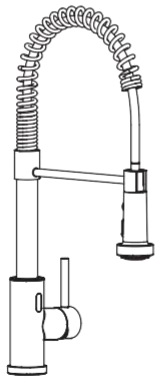


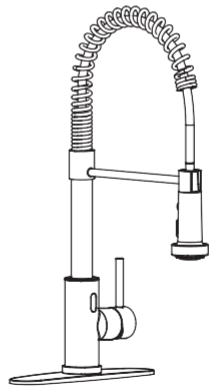


KITCHEN SENSOR FAUCET

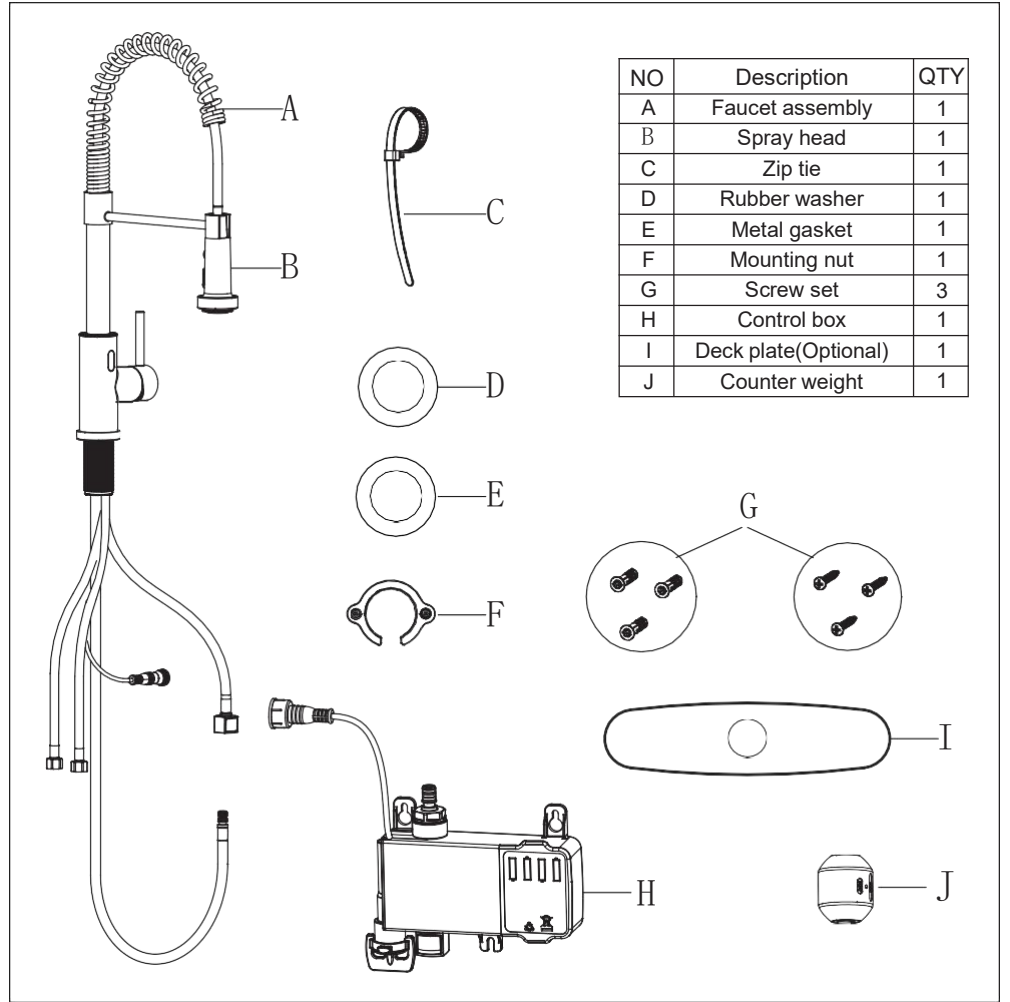
USER MANUAL



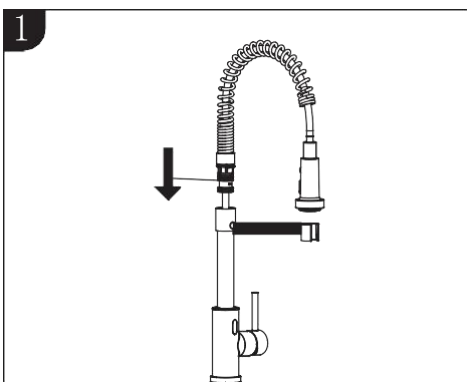
Single hole installation
without base



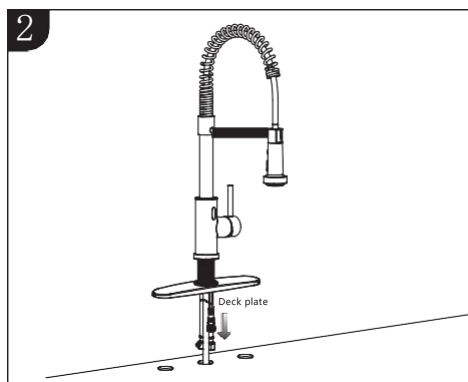
3-hole installation



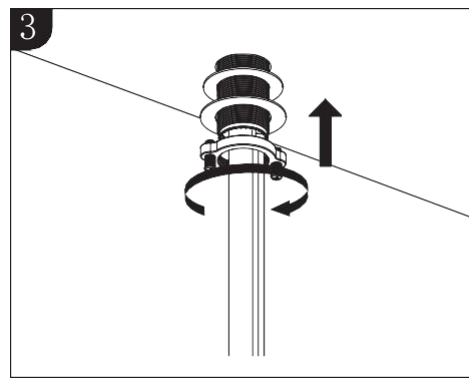
NO	Description	QTY
A	Faucet assembly	1
B	Spray head	1
C	Zip tie	1
D	Rubber washer	1
E	Metal gasket	1
F	Mounting nut	1
G	Screw set	3
H	Control box	1
I	Deck plate(Optional)	1
J	Counter weight	1



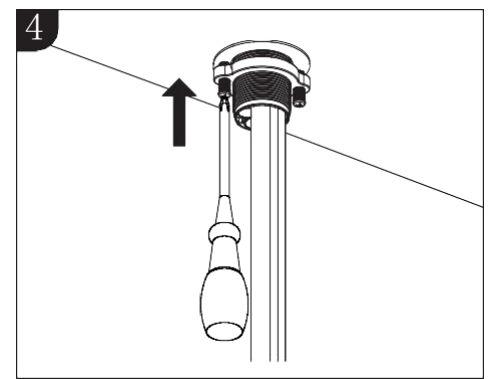
1 Sping spout
Insert spring spout into faucet rod as above image showing.



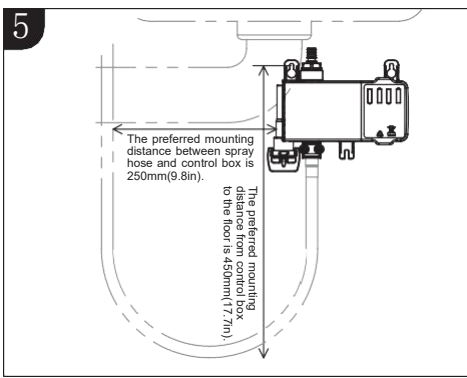
2 For 1-hole sink, align the cable, hoses and the shank into the counter hole, and then mount the faucet on the sink.
For 3-hole sink, insert deck plate over the cable and hoses in the mounting shank, aligning the grooves in the deck plate with the arches on the faucet bottom, and then mount the faucet on the sink.



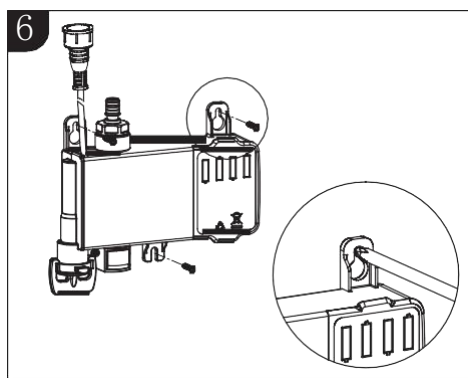
3 Slide the rubber washer first, the Metal gasket second, and then the mounting nut over the hoses and the data cable onto the stem and hand tighten them firmly.



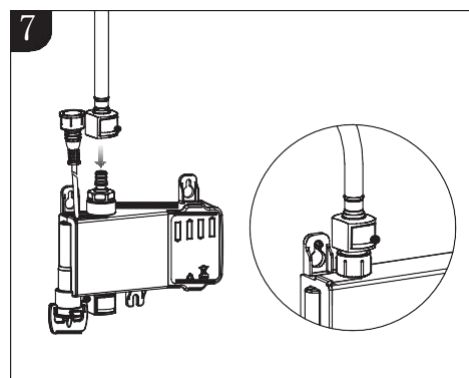
4 Use a screwdriver to thread the 2 screws.



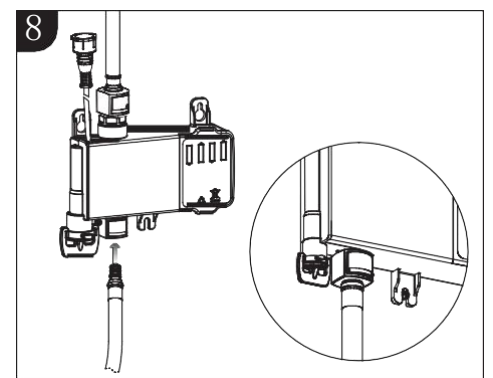
5 The dimension shown in the figure is a preferred mounting distance for control box (The distance can be adjusted to better fit your space).



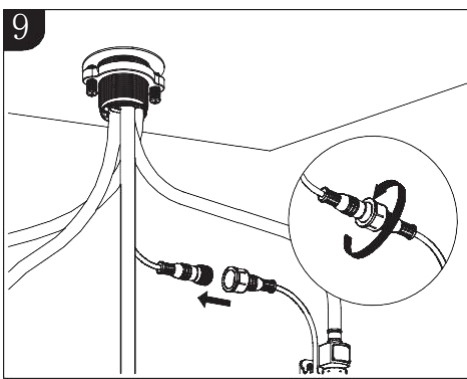
6 Mount the screws into the wall under the sink and hang the control box according to the preferred mounting distance.



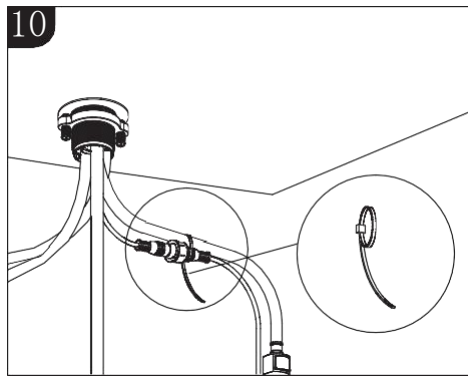
7 Attach the outlet hose to the adapter on top of the control box with the "quick-connection".



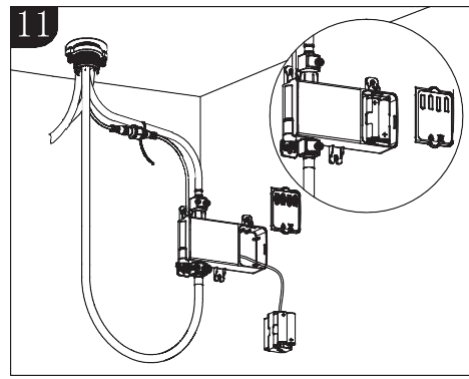
8 Attach the black nylon braided hose to the adapter at the bottom of the control box.



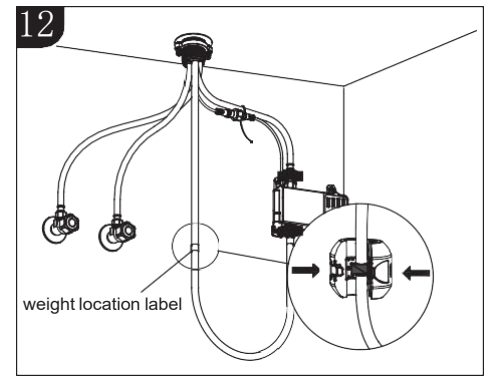
9 Connect the sensor cables and hand tighten them firmly.



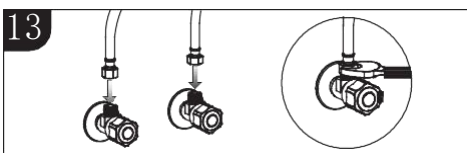
10 Tie the sensor cable together with the outlet hose by using a zip tie.



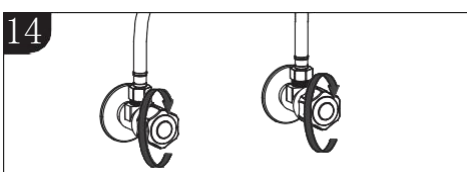
11 Remove the battery pack cover on control box and take out the battery pack; insert 4 AA batteries(sold separately). Put the battery pack back in the control box and replace the cover firmly. The batteries should be charged or changed when the sensor flashes a red light.



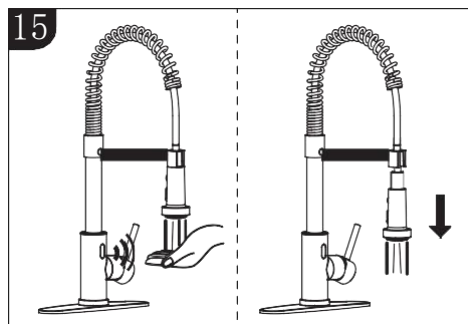
12 Install the quick installation counterweight on the pull-down hose at the marked position (it should be placed on the line) with single hand easily.



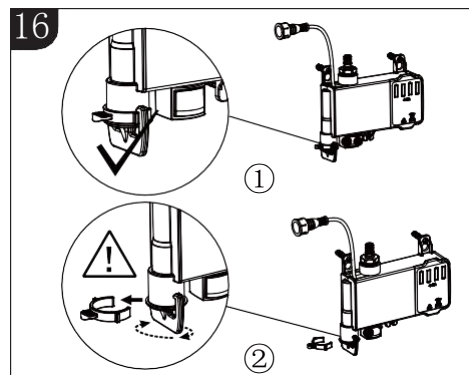
13 Connect the hot & cold supply lines onto the matching water valves and secure the connection with an adjustable wrench.



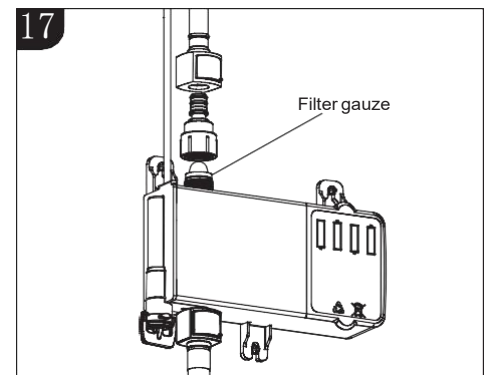
14 Turn on the water supply and check the water connections for leaks.



15 Turn on the faucet and wave your hand over the Sensor; Set water temperature to desired setting. The water temperature changes by manipulating the handle. Run the water and it will stop automatically in 3 minutes. Check for leaks. Then pull out the spray head (the infrared sensor will start working when the spray head is pulled out). Slide the spray head back in original position, and the water turns off. (some models don't have pull down sensor). Repeat the operation several times, and check for errors. If none, then the faucet is good for use. It is recommended to turn the handle off when the faucet will not be in use for an extended amount of time.



16 ① Normal Operating Condition.
② Use only when power is low or sensor is out of order. Please pull out the safety plug, and turn the wrench counterclockwise to the bottom, then you can close the sensor function (it can be used as the non-sensor faucet). After troubleshooting, resume the above operation.



17 If the water flow rate is lower than normal, there may be built up on the filter gauze. Shut off the water valves and remove the outlet hose from the control box and unscrew the inlet adapter from the control box. Take out the filter gauze and clean it. Reassemble the outlet hose connector, inlet adapter, and filter gauze as shown on the figure above.

KITCHEN SENSOR FAUCET

Notice

1. Cleaning
Before installation, shut off the water supply valves and clean up the water supply system.
2. Mounting hole
Make sure the mounting hole size is between $\varnothing 25\text{mm}$ - $\varnothing 35\text{mm}$.
3. Before installation
 - ① Clean up the countertop.
 - ② Make sure there is ample space on the countertop to install the faucet.
 - ③ When installing, wrap the faucet with soft cloth to avoid scratches. This product cannot be wrenched by plier to prevent any defections.

Parameter

1. Supply cold water, hot water pressure:
the recommended pressure is $0.05\text{MPa} \sim 0.75\text{MPa}$.
2. Do not use steam for hot water.
The recommended temperature of water supply is less than 85°C .
3. the use of ambient temperature 0°C or more, if less than 0°C , the water spigot will appear deformation freeze crack phenomenon.

Maintenance

1. Operate the faucet gently in order for a sustainable using.
2. Always blot dry any water from faucet surface. Clean with a damp non-abrasive sponge and wipe it with a clean soft cloth should be helpful to maintain good finish of the faucet. To remove water spots, please apply warm water and a damp soft cloth. Make certain to rinse thoroughly with water immediately after cleaner.
3. Although the finish is extremely durable, it can be damaged by some cleaners. Do not use detergent powder, polishing powder, granular detergent or nylon brush to clean.
4. Do not use acidic detergents. If happened, it must be rinsed properly and wiped dry with a soft cloth.
5. When the air temperature is below 0°C , a measure should be taken to keep the faucet working condition warm.
6. Shut off the water supply valves when the faucet will not be used for an extended amount of time.
7. Do not allow the product to get in touch with the rust or strong corrosive substances, or install under a corrosive environment.
8. Exposing this product to corrosive substances or sharp objects may cause the hoses to rust or become damaged. Install in a proper area to avoid the risk of leaks.



- We reserve the right to make revisions in the design of faucets without notice.
- Image is for reference only, styles varies by models, same installation method.