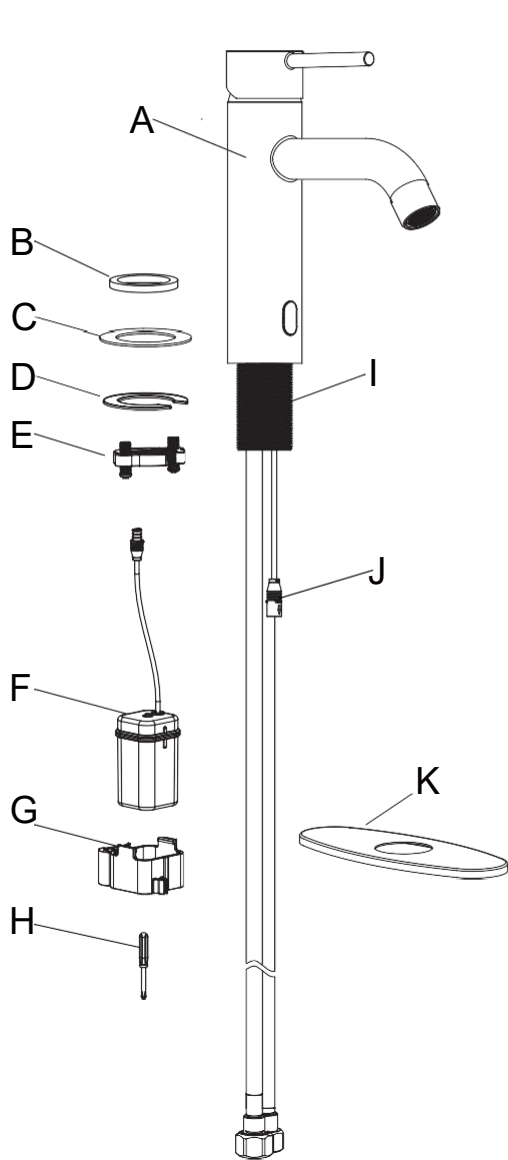


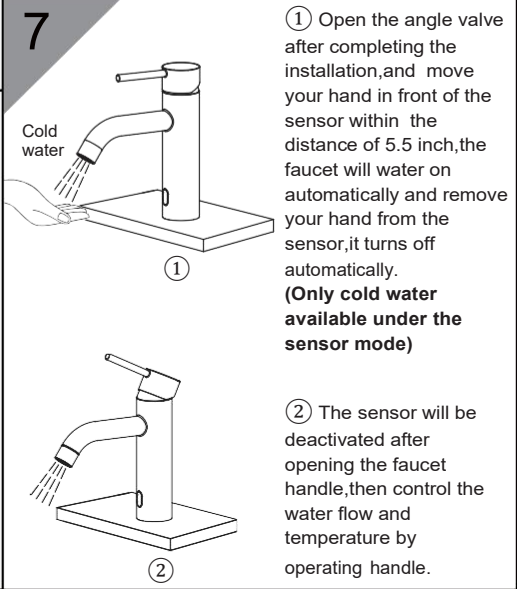
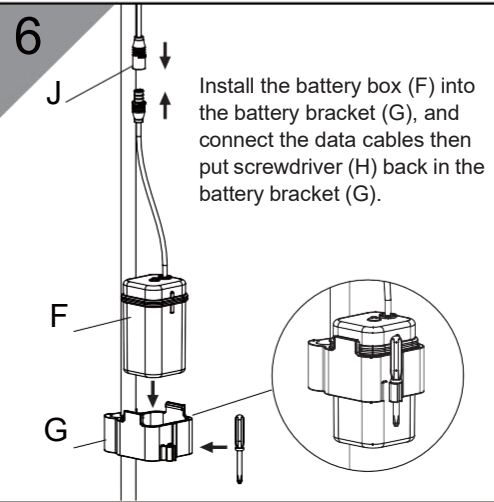
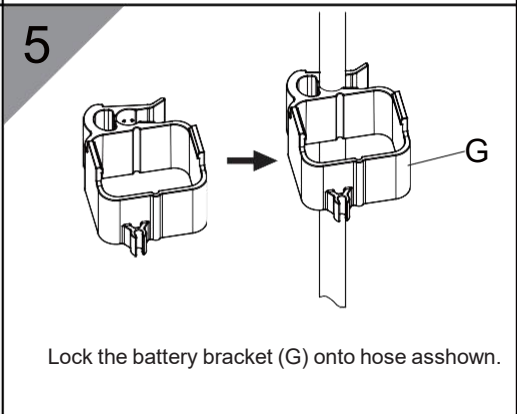
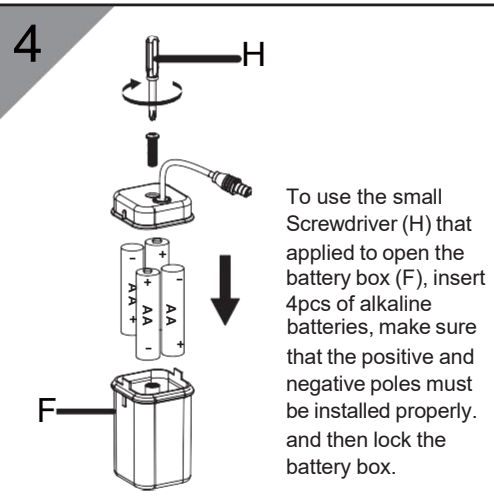
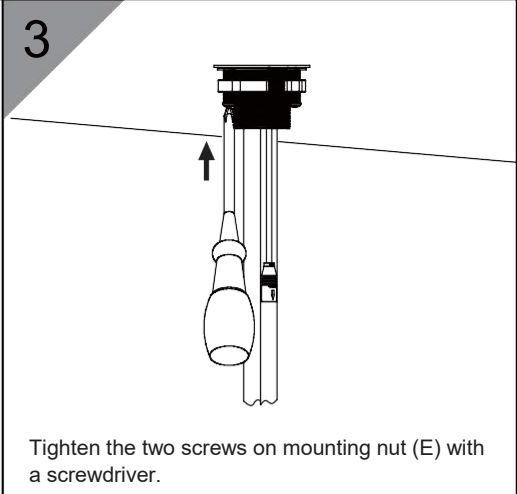
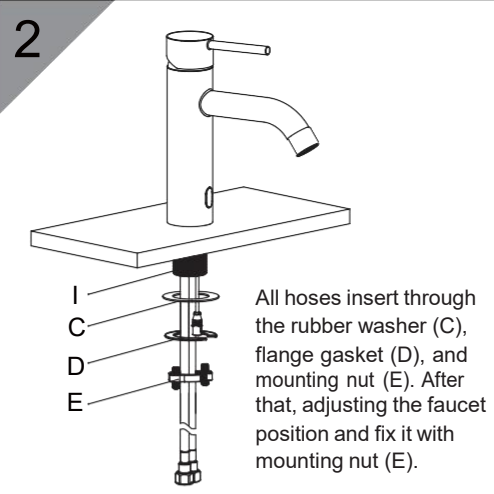
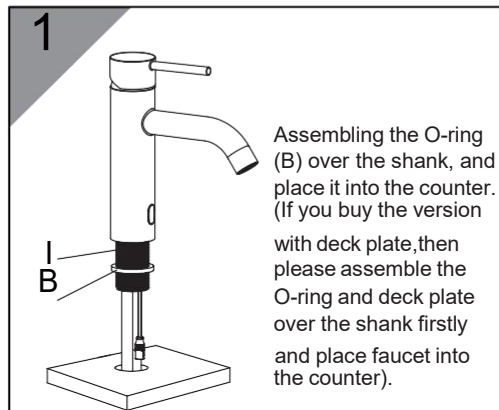


Touchless Lavatory Faucet

USER MANUAL



NO.	Description	QTY
A	Faucet	1
B	Sealing gasket	1
C	Rubber washer	1
D	Flange gasket	1
E	Mounting nut	1
F	Battery box	1
G	Battery bracket	1
H	Screwdriver	1
I	Shank	1
J	Sensor cable connector	1
K	Deck plate (option)	1



Touchless Lavatory Faucet

Notice

1. Cleaning

Before installation, shut off the water supply valves and clean up the water supply system.

2. Mounting hole

Make sure the mounting hole size is between $\varnothing 25\text{mm}$ - $\varnothing 35\text{mm}$.

3. Before installation

- ① Clean up the countertop.
- ② Make sure there is ample space on the countertop to install the faucet.
- ③ When installing, wrap the faucet with soft cloth to avoid scratches. This product cannot be wrenched by plier to prevent any defections.

Parameter

1. Supply cold water, hot water pressure:

the recommended pressure is $0.05\text{MPa} \sim 0.75\text{MPa}$.

2. Do not use steam for hot water.

The recommended temperature of water supply is less than 85°C .

3. the use of ambient temperature 0°C or more, if less than 0°C , the water spigot will appear deformation freeze crack phenomenon.

Maintenance

1. Operate the faucet gently in order for a sustainable using.

2. Always blot dry any water from faucet surface. Clean with a damp non-abrasive sponge and wipe it with a clean soft cloth should be helpful to maintain good finish of the faucet. To remove water spots, please apply warm water and a damp soft cloth. Make certain to rinse thoroughly with water immediately after cleaner.

3. Although the finish is extremely durable, it can be damaged by some cleaners. Do not use detergent powder, polishing powder, granular detergent or nylon brush to clean.

4. Do not use acidic detergents. If happened, it must be rinsed properly and wiped dry with a soft cloth.

5. When the air temperature is below 0°C , a measure should be taken to keep the faucet working condition warm.

6. Shut off the water supply valves when the faucet will not be used for an extended amount of time.

7. Do not allow the product to get in touch with the rust or strong corrosive substances, or install under a corrosive environment.

8. Exposing this product to corrosive substances or sharp objects may cause the hoses to rust or become damaged. Install in a proper area to avoid the risk of leaks.



- We reserve the right to make revisions in the design of faucets without notice.
- Image is for reference only, styles varies by models, same installation method.