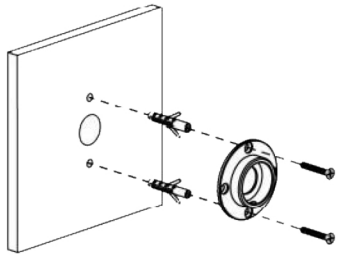
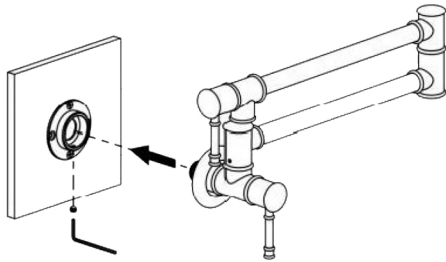


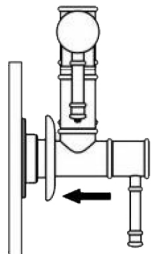
Tools



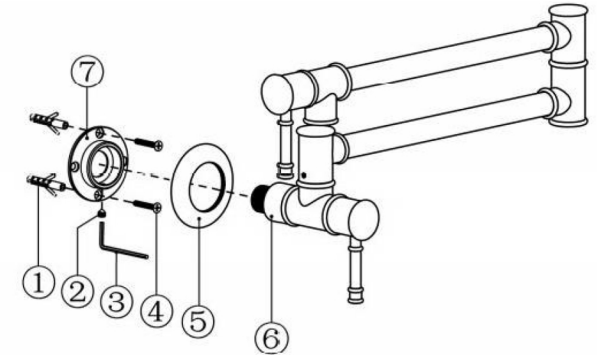
1. Place the mounting plate against the wall and mark out the holes. Using a 6mm drill bit, drill out the holes and insert the plastic anchors (a hammer may be needed to insert fully into wall). Place the mounting base plate over the plastic anchors and mount to the wall using the anchor screws.



2. Wrap the end of the 1/2" IPS nipple with teflon tape covering at least the first three threads (thread sealant is also recommended for any connections in the wall), screw the faucet body nipple to the mounting base plate, assuring it is in the correct position when faucet body is pulled out straight. Insert the set screw into the bottom of the mounting base plate and tighten. Place the finish trim plate onto the mounting base plate.



3. Remove aerator from faucet, turn water on to flush any possible debris in the cold water line and check for any leaks at the connections. Place the finish trim plate onto the mounting base plate.



KCLT0058

Part List

Part#	Part	Quantity
1	Plastic anchors	2
2	Set screw	1
3	Allen wrench	1
4	Anchor screw	2
5	Finish trim plate	1
6	Faucet body	1
7	Mounting base plate	1