

Instruction Manual

Rain Shower System



Model:6365



Model:6366

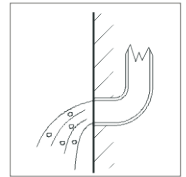
CONTENT

1.INSTALLATION CONDITION	P1
2.THREE-FUNCTION RAIN SHOWER SYSTEM	
PRODUCT LIST	P2
INSTALLATION SHOWER SET SIZE	P3
INSTALLATION DEPTH OF SHOWER ARM &SHOWER HOLDER	P3
INSTALLATION DEPTH OF MAIN BODY	P4
MAIN BODY VALVE INSTALLATION	P5
PIPING INSTRUCTIONS BEFORE TILING	P6
INSTALLATION OF RAIN SHOWER HEAD& SHOWER ARM	P7
SHOWER HOLDER INSTALLATION INSTALL THE HAND SHOW HOLDER	P7
INSTALL THE TUB SPOUT(IF HAVE)	P8
3 HANDHELD SHOWER MODES	P8
3.CARE AND MAINTENANCE	P9
4.IF A LARGE-SCALE CLEAN-UP IS NECESSARY, FOLLOW THESE PROCEDURES	P9

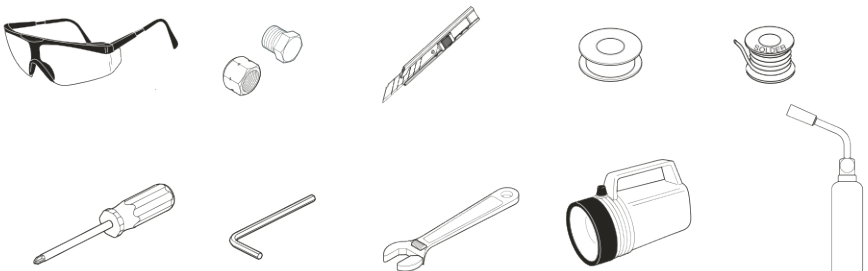
◆ INSTALLATION CONDITION



1. Refer to the 《Standard Part List》 when unpacking , check all parts available .
2. Do not disassemble mixer body by yourself.
3. Connect inlet hoses to supply valves.
4. Make sure inlet pipes and supply valves have been installed and cleaned, also ensure no impurities in pipeline.
5. After installation , check all joints for leakages.
6. Suggest don't fit the faucet in the severely corrosive environments.



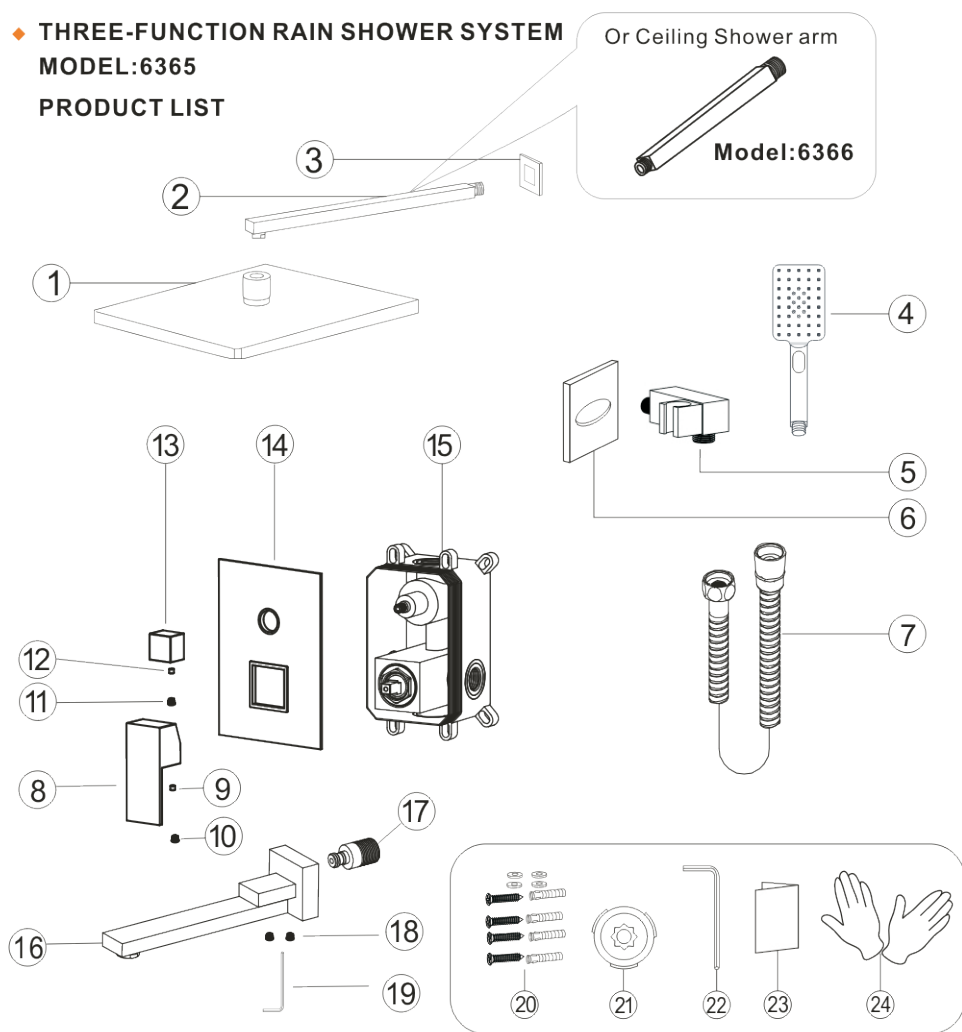
YOU MAY NEED:



◆ THREE-FUNCTION RAIN SHOWER SYSTEM

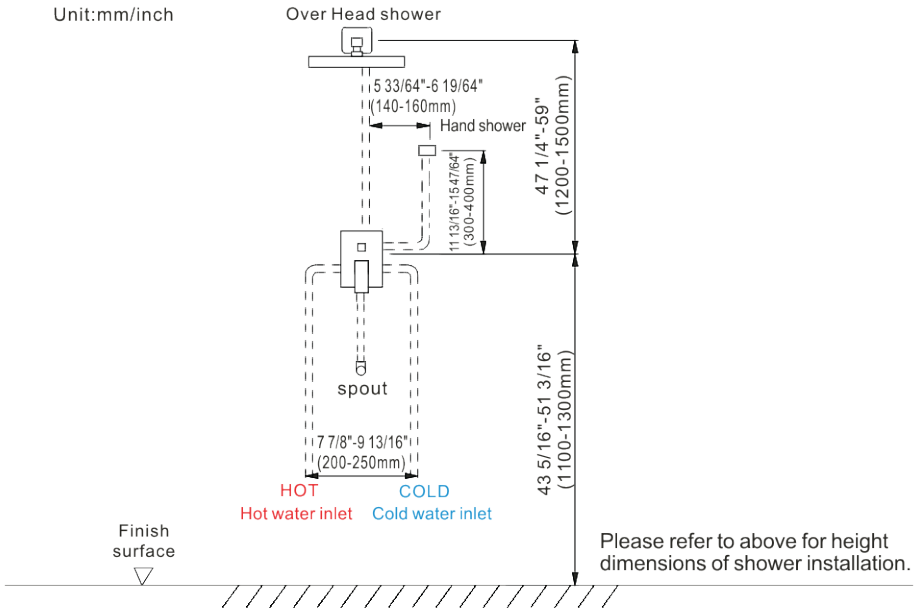
MODEL:6365

PRODUCT LIST

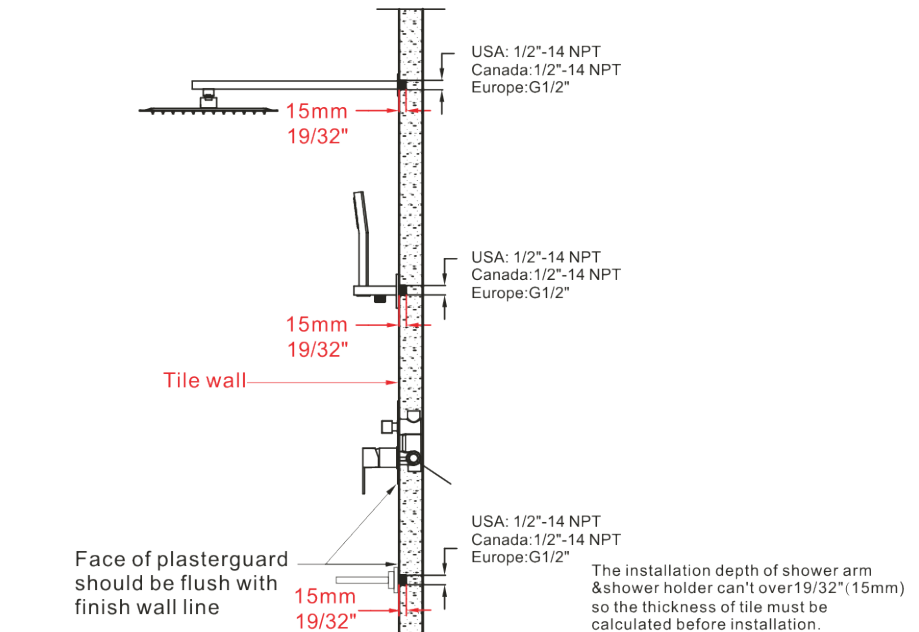


No.	Part name	Qty	No.	Part name	Qty
1	Shower head	1	13	Water diverter	1
2	Shower arm	1	14	Panel	1
3	Shower arm cup	1	15	Main body	1
4	Shower hand	1	16	Bathtub spout body	1
5	Hand shower holder	1	17	Bathtub spout copper	1
6	Holder cup	1	18	Bathtub spout screw	2
7	Shower hose	1	19	Bathtub spout Wrench	1
8	Handle	1	20	Body box fittings	4
9	Handle screw	1	21	Water-saving film	4
10	Handle cap	1	22	Wrench	1
11	Water diverter cap	1	23	Instruction manual	1
12	Water diverter screw	1	24	Gloves	2

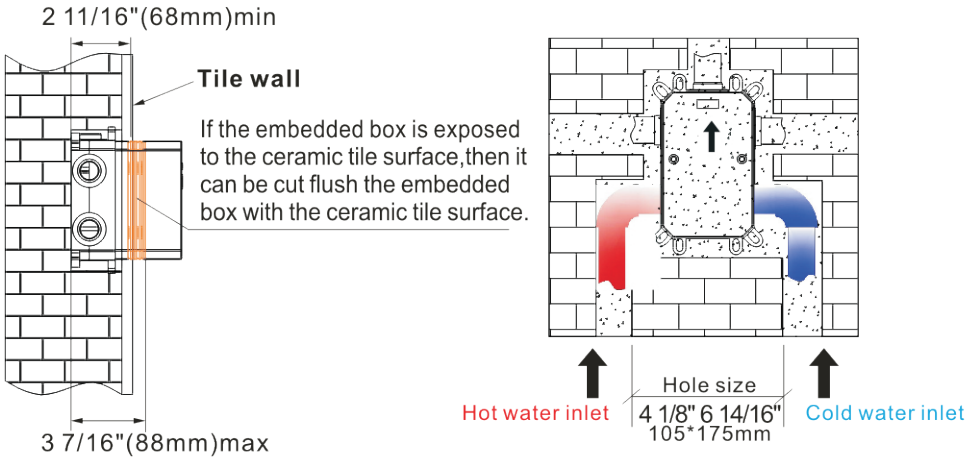
◆ INSTALLATION SHOWER SET SIZE



◆ INSTALLATION DEPTH OF SHOWER ARM & SHOWER HOLDER

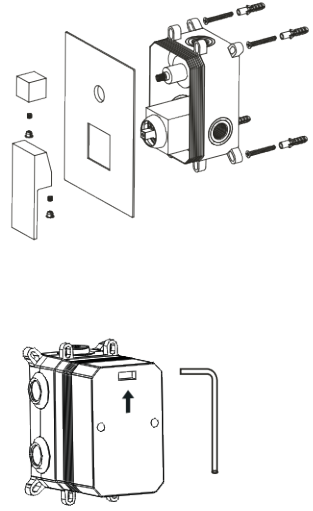
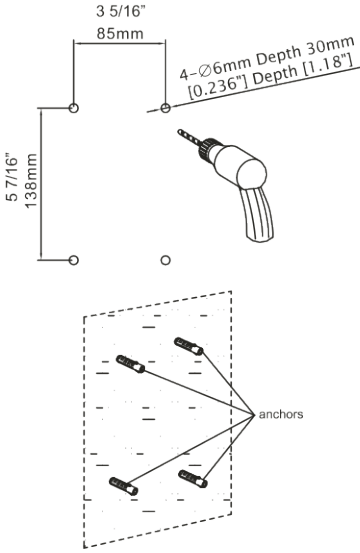


Installation Depth of Main Body



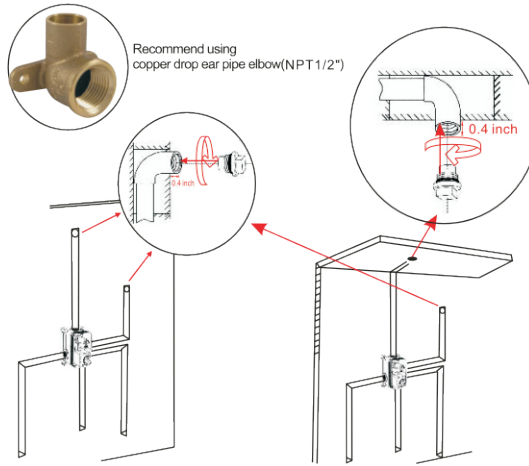
Notice: The installation depth of main body should be no less than $2 \frac{11}{16}$ " (68mm) and no more than $3 \frac{7}{16}$ " (88mm), including the thickness of tile. Otherwise, the panel cannot be installed.

◆ Main Body Valve Installation

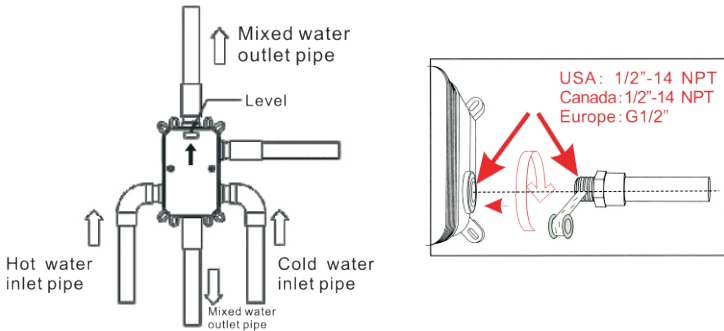


1. Make marks according to the size of the main body valve, and then drill anchors into the wall.
▲ Please note that the levelmeter should be parallel with the wall, otherwise the panel cannot be installed.
2. Please fix the main body to the wall, remove the plastic protective cover and install panel, water diverter, screw and water diverter cap step by step.
3. Install the handle with the screw and handle cap.

◆ Piping Instructions Before Tiling



1. Recommend using Copper drop ear pipe elbow(NPT 1/2")
 USA: 1/14NPT 2-Canada: 1/2"-14NPT Europe: G1/2"

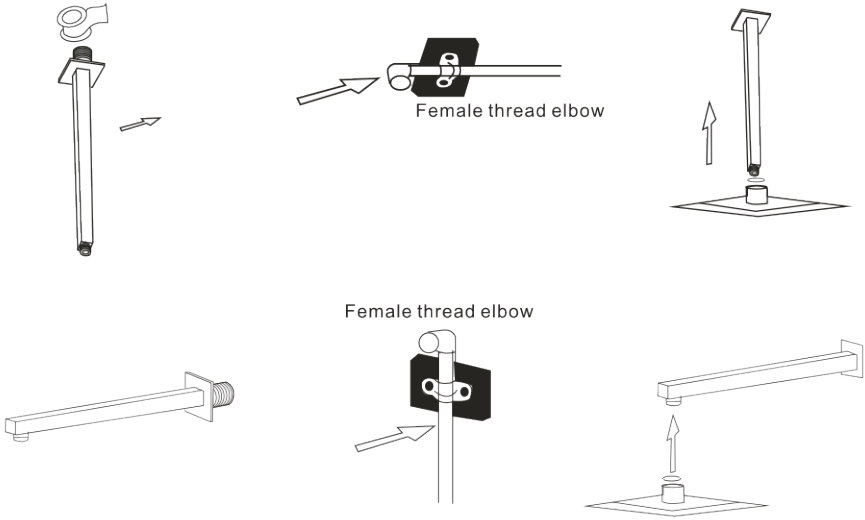


1. Connect the water pipes as illustrations. Please make sure the mark ↑ is facing upward.
2. Before tiling, turn on the water and pull the shower handle to check for leakages.



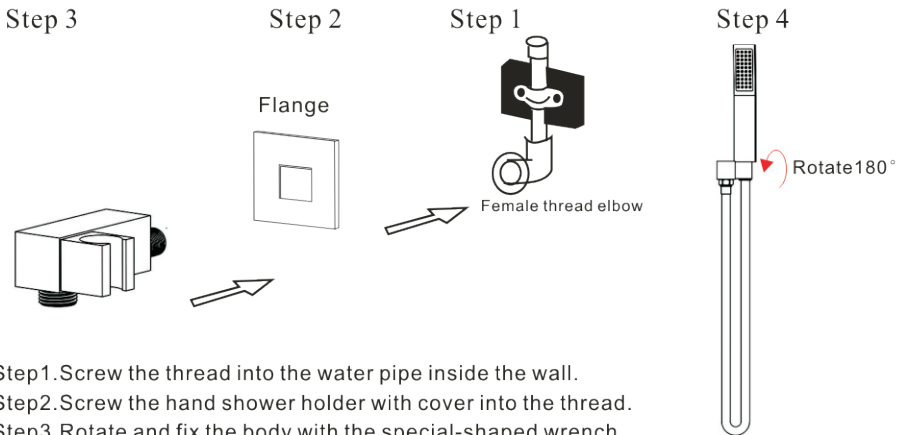
Warning: must install hot water and cold water inlet strictly as instructions.

◆ **INSTALLATION OF RAIN SHOWER HEAD& SHOWER ARM**



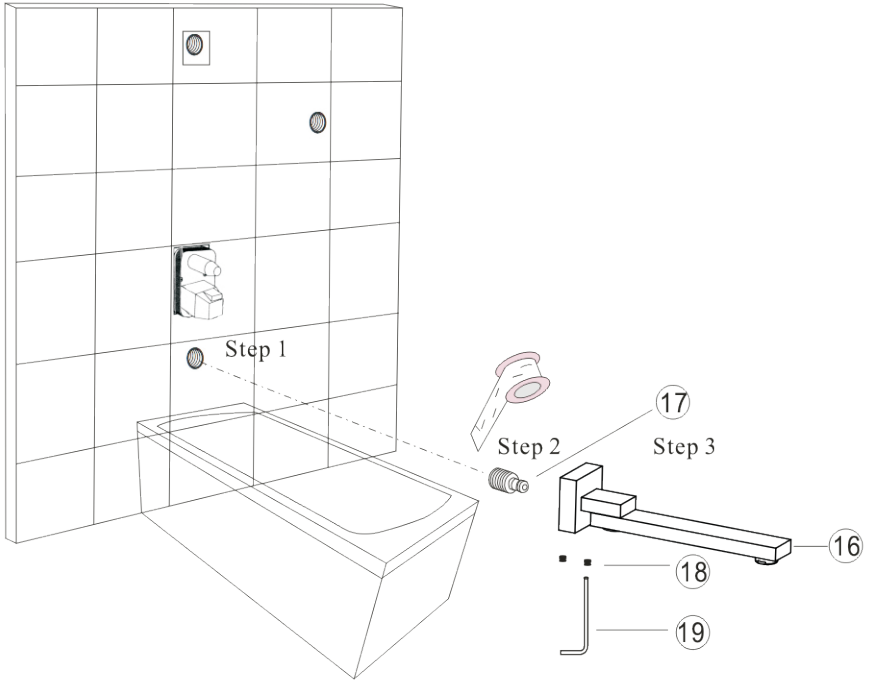
Connect top outlet ⑤ to shower arm ⑦ with proper fittings. To prevent damage, to finish on shower arm, insert wall end of shower arm into shower flange ⑥ before screwing arm into riser connection. Thread showerhead ⑧ onto shower arm. Apply tape to pipe threads on both ends. Do not over tighten showerhead. The showerhead is 360° swivel connection.

◆ **SHOWER HOLDER INSTALLATION INSTALL THE HAND SHOWER HOLDER**



Step1. Screw the thread into the water pipe inside the wall.
 Step2. Screw the hand shower holder with cover into the thread.
 Step3. Rotate and fix the body with the special-shaped wrench.
 Step4. Connect hand shower and the hose.

◆ **INSTALL THE TUB SPOUT(IF HAVE)**



Step1.Screw the thread into the water pipe inside the wall.

Step2.Screw the main body into the thread.

Step3.Rotate and fix the body with the special-shaped wrench.

◆ **3 Handheld Shower Modes**



Rain Shower



Power Pulse Massage



Massage+Rain Shower

◆ CARE AND MAINTENANCE

In order to keep the mixer surface bright , please clean the mixer regularly.

Rinse faucet with clean water and wipe with soft cotton cloth.

Avoid using cleaning powder , harsh cleaning chemicals, brushes, and cloth with coarse surface to prevent scratching and corrosion.

Do not use acid cleaner to clean the faucet as it may cause surface corrosion of the faucet. If the faucet comes into contact with harmful acid substances, please rinse it with water immediately.



◆ IF A LARGE-SCALE CLEAN-UP IS NECESSARY, FOLLOW THESE PROCEDURES

1: Use clean water and soft cloth to remove dirt on the surface as much as possible.

2: Use one of the following cleaners to remove dirt on the surface

Mild liquid cleaner.

Colorless glass cleaner, powder cleaner which does not have abrasive function and can be dissolved completely.

Polish liquid which does not have abrasive function.

3: After cleaning, remove the cleansing agent with clean water completely and wipe with soft cotton cloth.

Website:www.casainc.com

Contact Phone Number:888-257-3857

Service Contact:service@casainc.com