

# Instruction Manual

## Rain Shower System



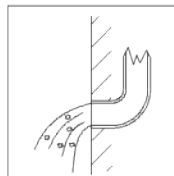
6640  
6361



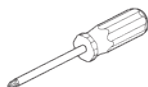
6203

## ◆ Installation Condition

1. Check the Accessories List to verify that all parts are complete in this package.
2. Do not disassemble the main body by yourself.
3. Connect inlet pipes to supply valves.
4. Make sure inlet pipes and supply valves have been installed and cleaned, with no impurities in the pipeline.
5. After installation, check all joints for leakages.
6. Do not leave the rain shower system exposed to a severely corrosive environment.



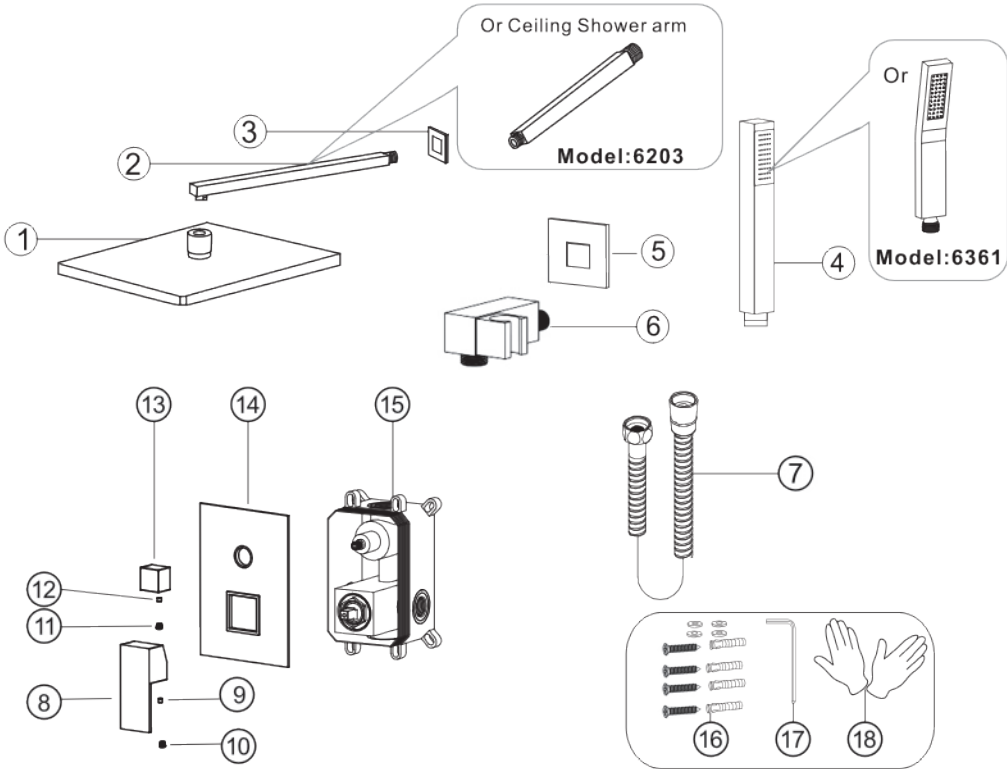
### YOU MAY NEED:



## ◆ Two-Function Rain Shower System

Model:6640

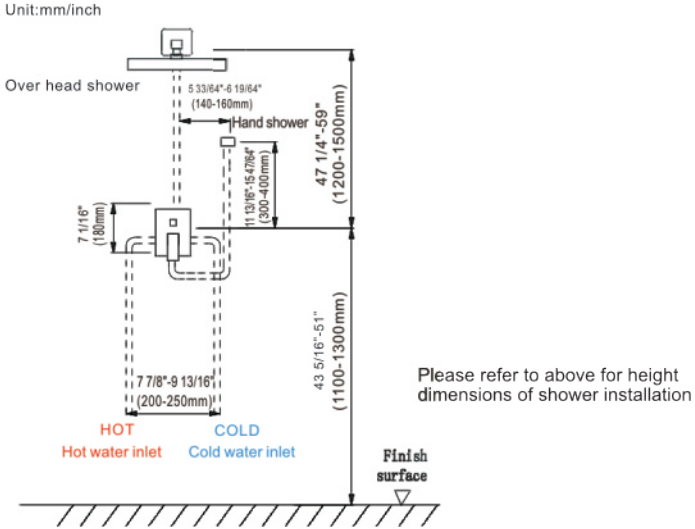
### Accessories List



No.	Part name	Qty	No.	Part name	Qty
1	Shower head	1	11	Water diverter cap	1
2	Shower arm	1	12	Water diverter screw	1
3	Shower arm cover	1	13	Water diverter	1
4	Hand shower	1	14	Panel	1
5	Hand shower holder	1	15	Main body	1
6	Holder parts	1	16	Body box fittings	4
7	Shower hose	1	17	Wrench	1
8	Handle	1	18	Gloves	2
9	Handle screw	1			
10	Handle cap	1			

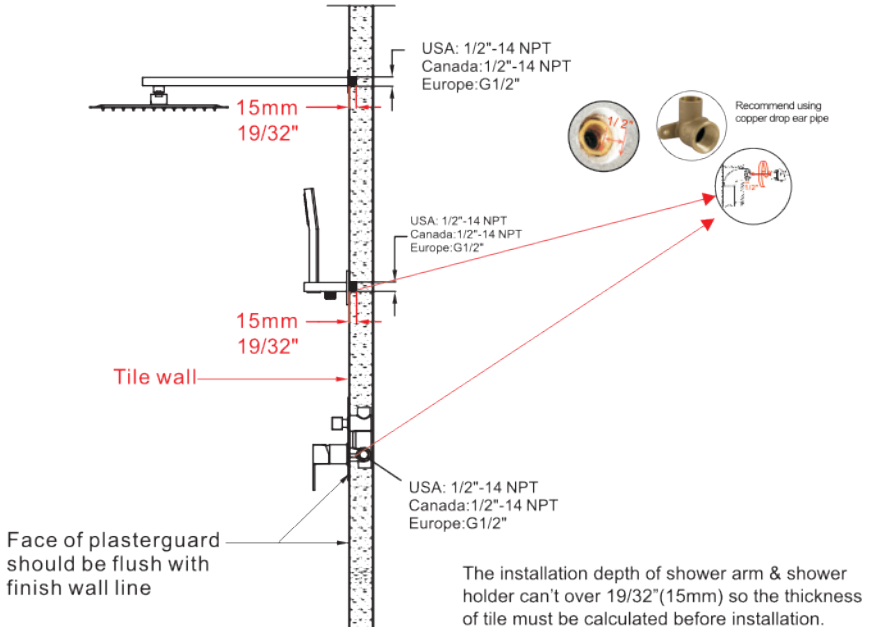
**WARNING:** Choking hazard. Please keep all small parts and plastic bags out of the reach of children.

## ◆ Essential Dimensions

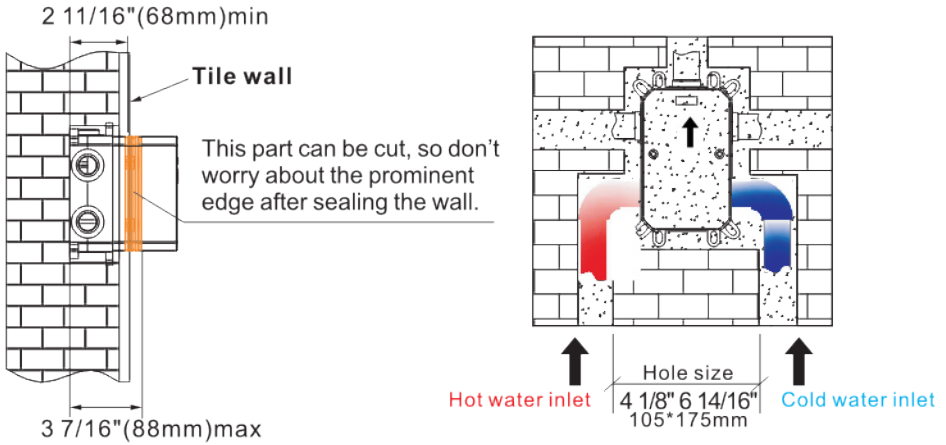


## ◆ Installation Depth

### For Shower Arm & Shower Holder

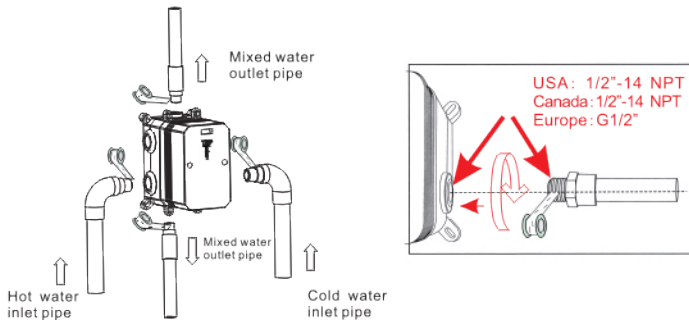


## ◆ Installation Depth Of Main Body



- Notice:** 1. The installation depth of main body should be no less than 2 11/16" (68mm) and no more than 3 7/16" (88mm), including the thickness of tile. Other wise, the panel cannot be installed.
2. The opening size of ceramic tile shall be smaller than the panel size

## ◆ Piping Instructions Before Tiling

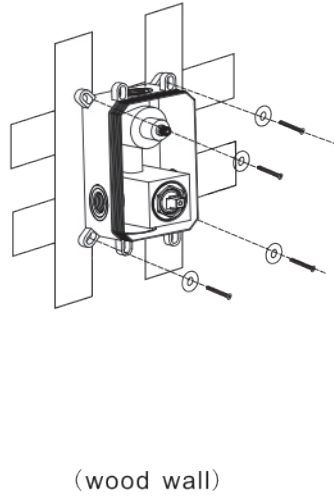
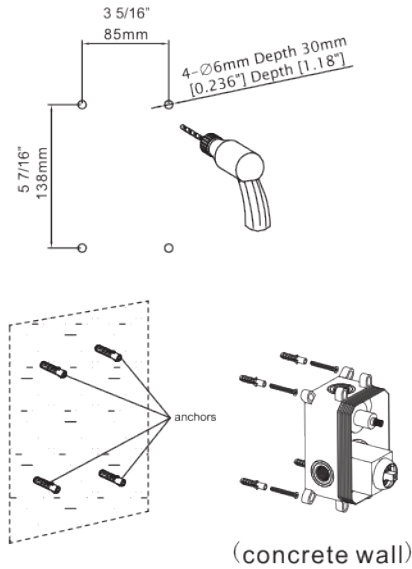


1. Connect the water pipes as illustrations. Please make sure the mark **↑** is facing upward.
2. Before tiling, turn on the water and pull the shower handle to check for leakages.



Warning: must install hot water and cold water inlet strictly as instructions.

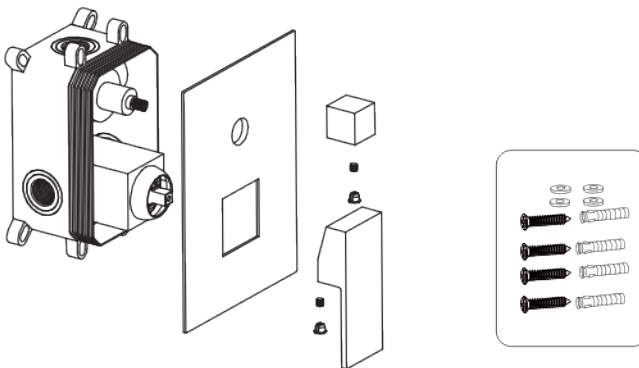
## ◆ Main Body Valve Installation



1. Make marks according to the size of the main body valve and then drill anchors into the wall (concrete wall)
2. Lock main body to wood directly with screws (wood wall)

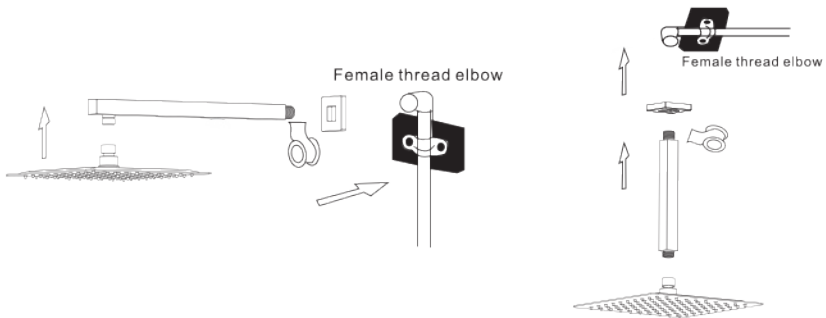
▲ Please note that the level meter should be parallel with the wall, otherwise the panel cannot be installed.

## ◆ Main Body Valve Installation



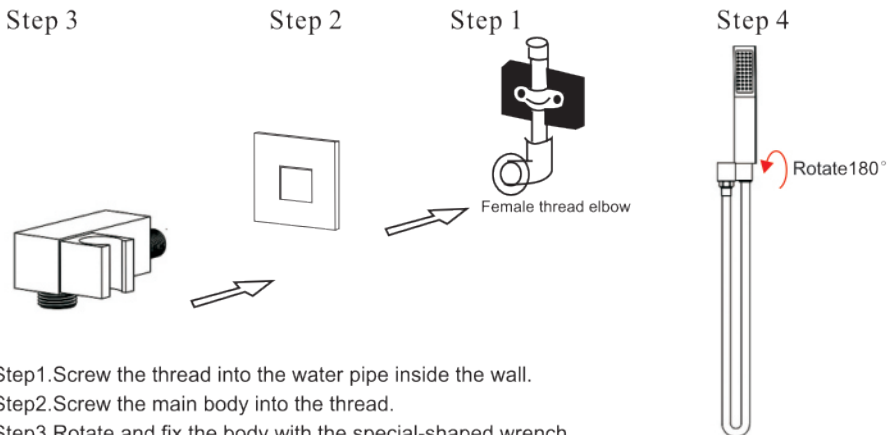
Install the handle with the screw and handle cap.

## ◆ Shower Head And Shower Arm Installation



1. Connect shower arm with the cover before screwing arm into riser connection to prevent damage.
2. Fix shower head onto shower arm and apply tape to pipe threads on both ends.
3. Do not overtighten shower head. It is 360° swivel connection.

## ◆ Hand Shower Holder Installation



- Step 1. Screw the thread into the water pipe inside the wall.
- Step 2. Screw the main body into the thread.
- Step 3. Rotate and fix the body with the special-shaped wrench.
- Step 4. Connect hand shower and the hose.

## ◆ CARE AND MAINTENANCE

In order to keep the mixer surface bright , please clean the mixer regularly.

Rinse faucet with clean water and wipe with soft cotton cloth.

Avoid using cleaning powder , harsh cleaning chemicals, brushes, and cloth with coarse surface to prevent scratching and corrosion.

Do not use acid cleaner to clean the faucet as it may cause surface corrosion of the faucet. If the faucet comes into contact with harmful acid substances, please rinse it with water immediately.



---

## ◆ IF A LARGE-SCALE CLEAN-UP IS NECESSARY, FOLLOW THESE PROCEDURES

1: Use clean water and soft cloth to remove dirt on the surface as much as possible.

2: Use one of the following cleaners to remove dirt on the surface

Mild liquid cleaner.

Colorless glass cleaner, powder cleaner which does not have abrasive function and can be dissolved completely.

Polish liquid which does not have abrasive function.

3: After cleaning, remove the cleansing agent with clean water completely and wipe with soft cotton cloth.