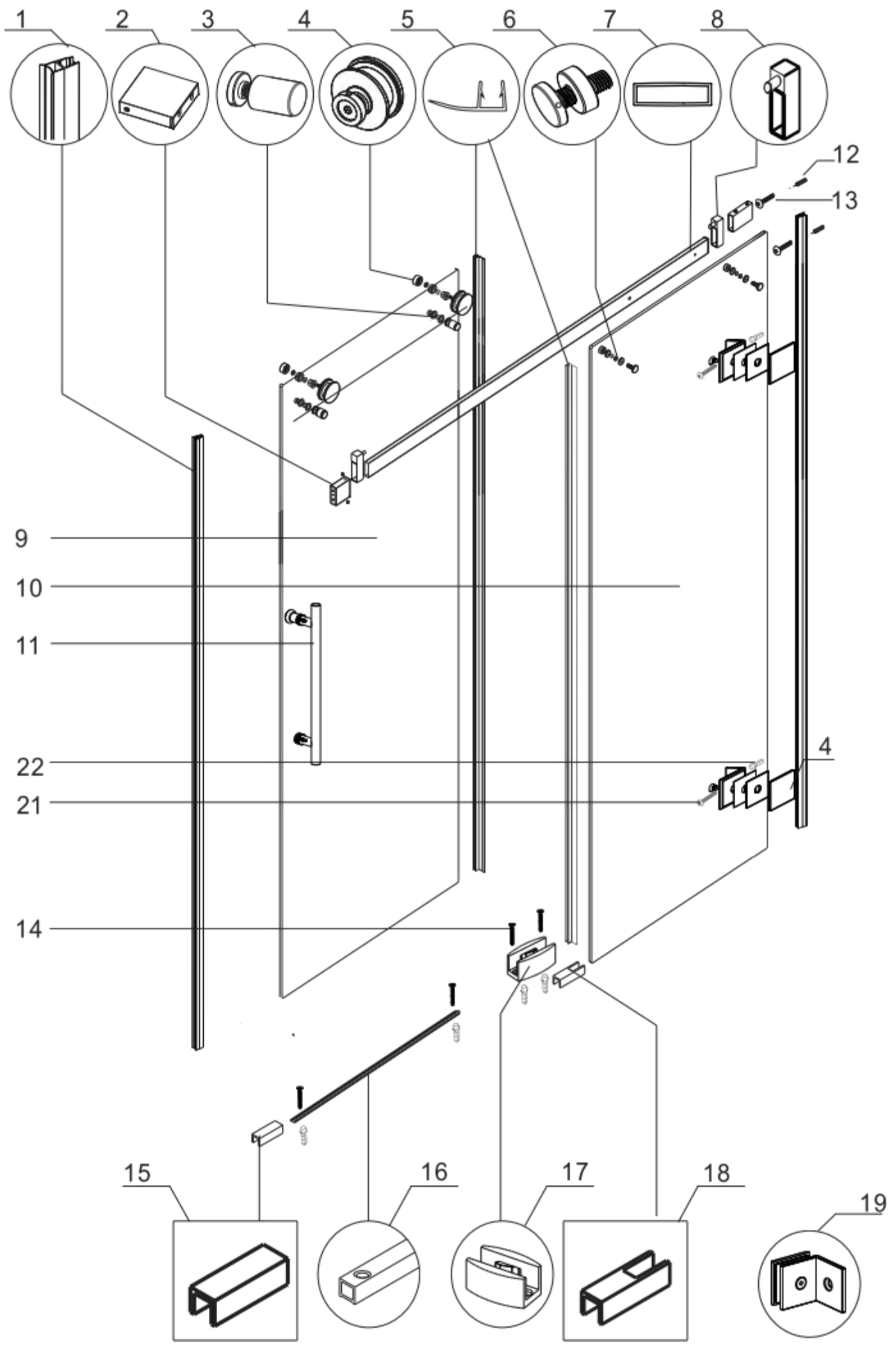
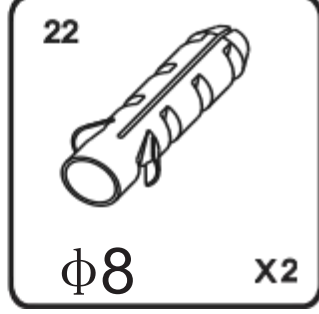
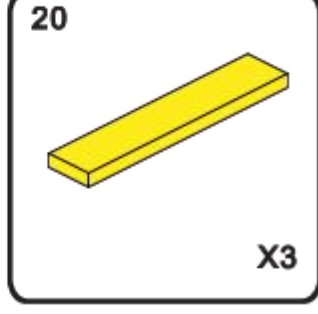
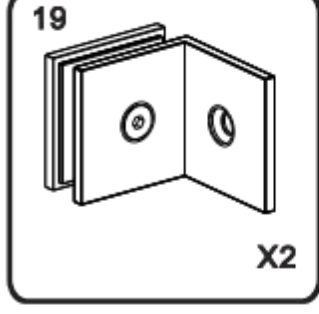
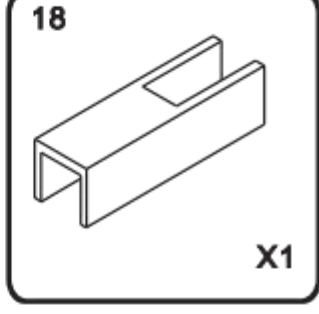
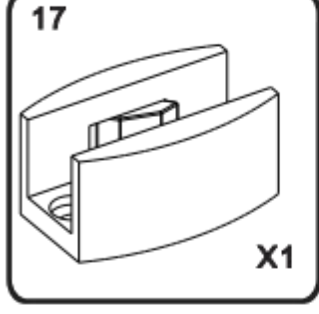
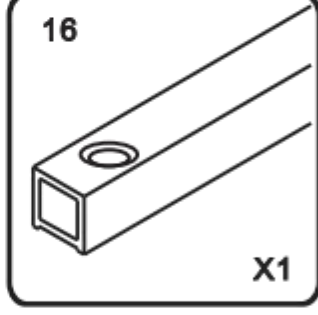
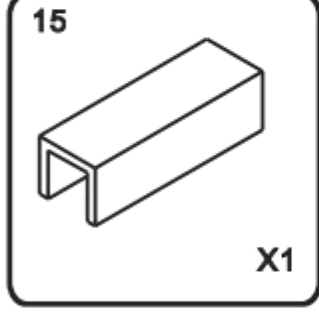
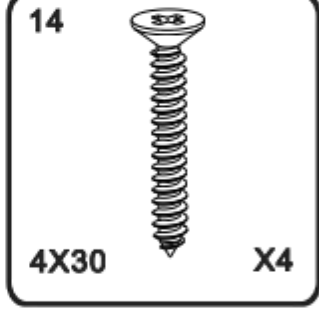
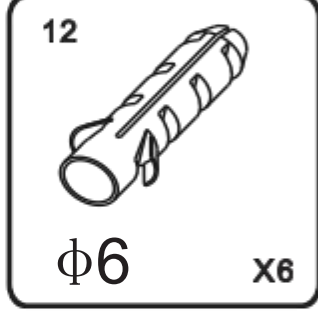
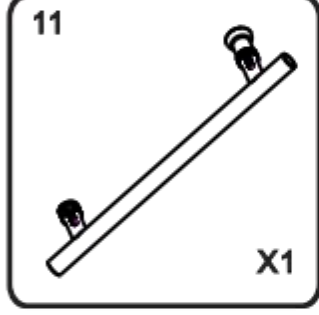
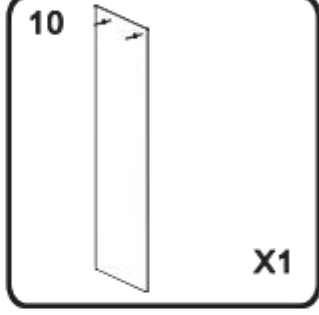
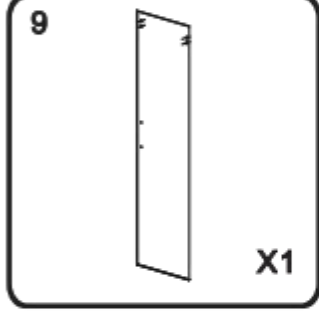
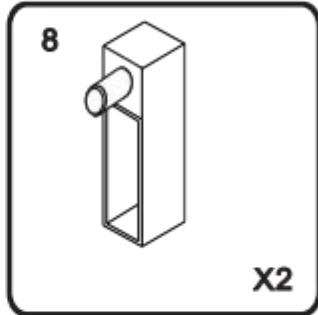
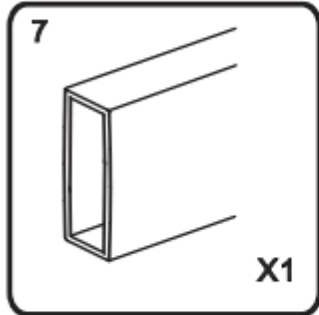
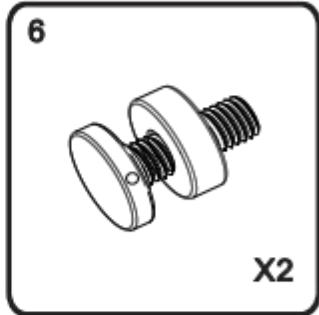
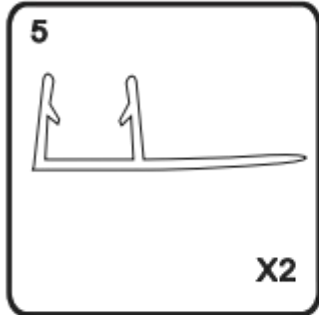
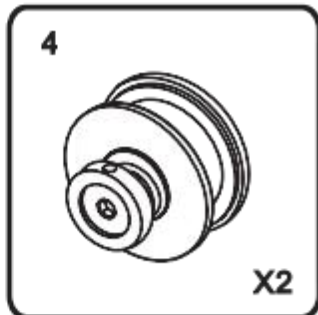
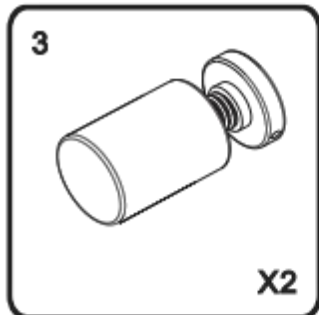
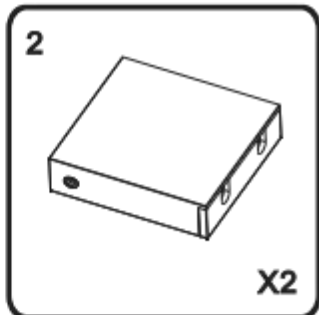
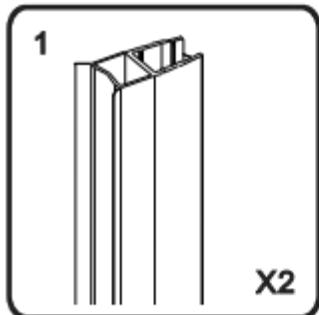
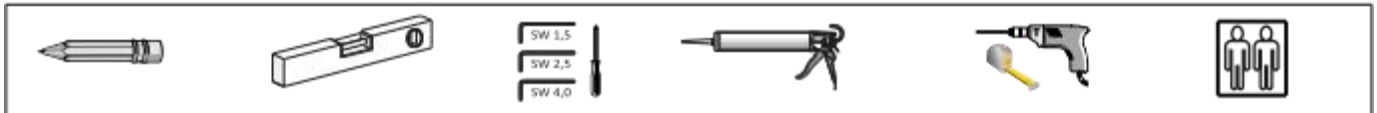
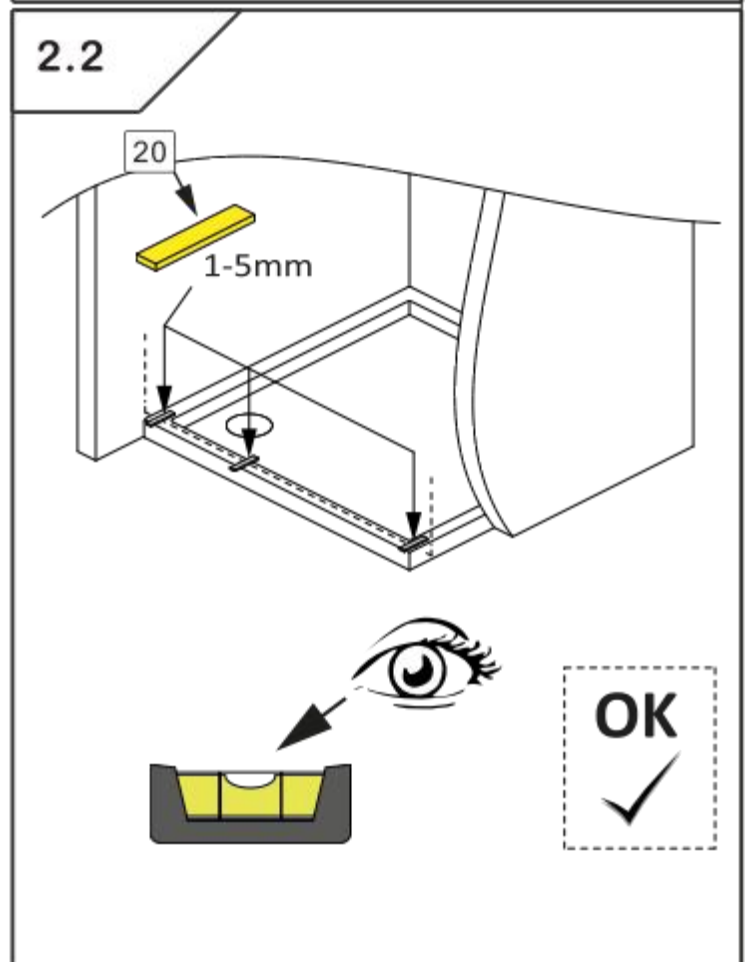
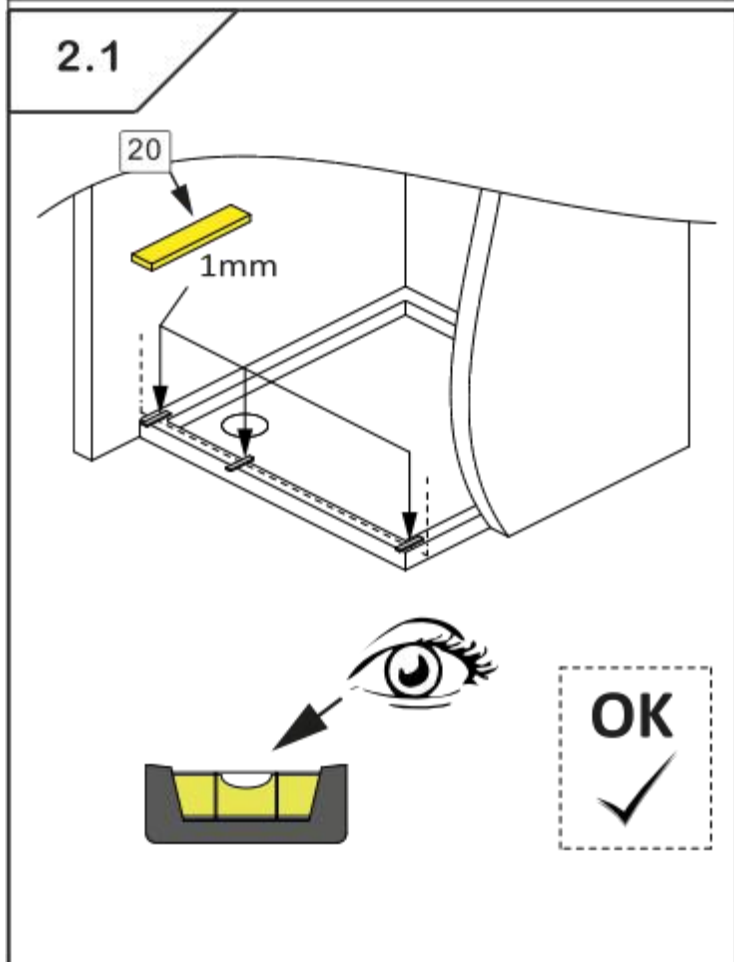
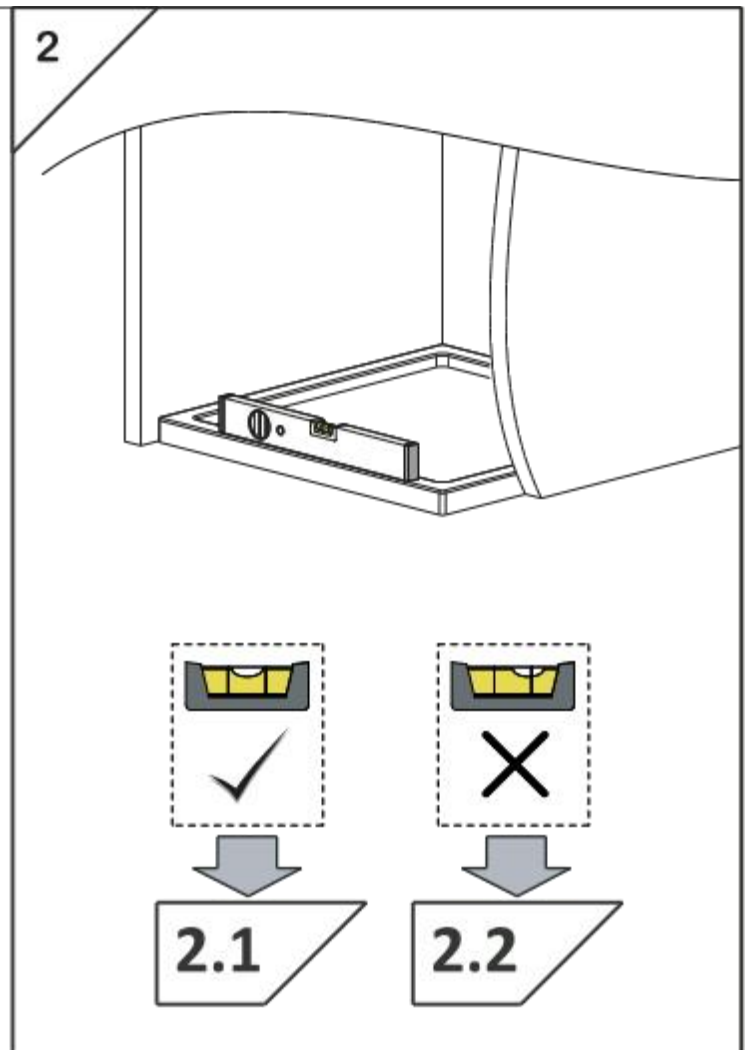
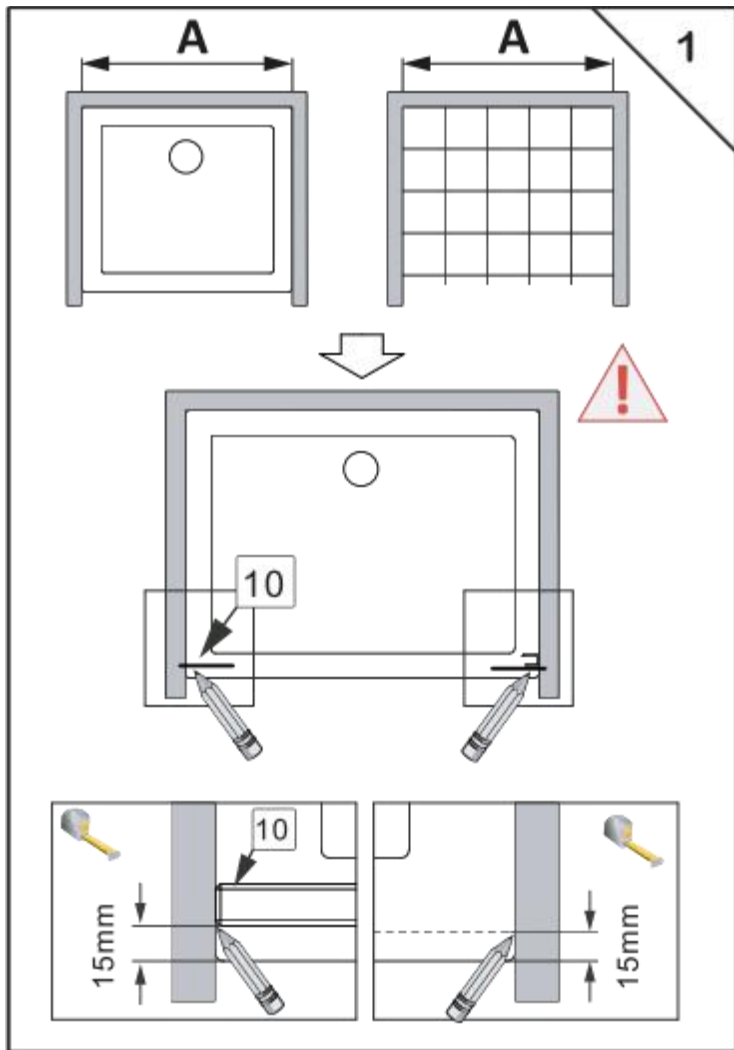


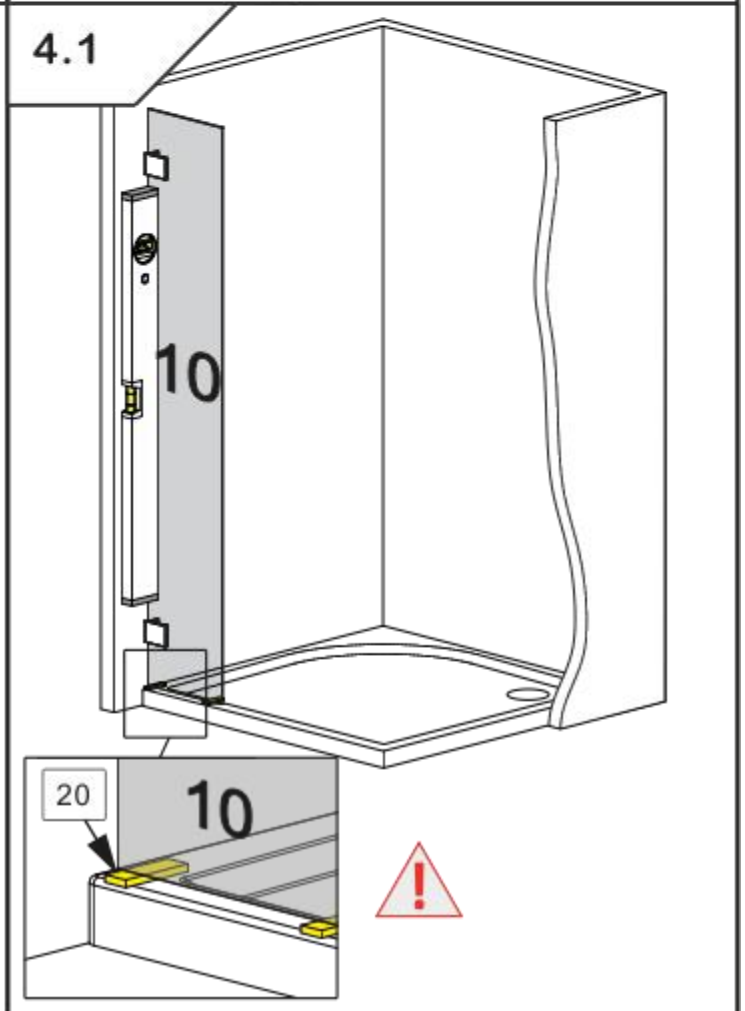
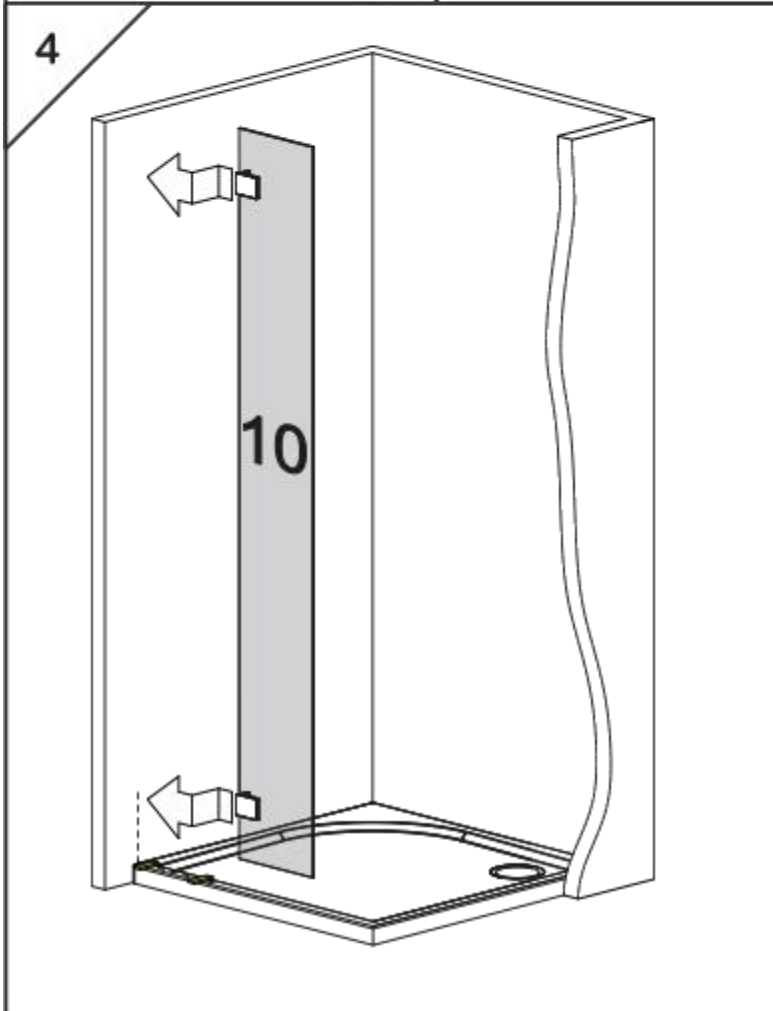
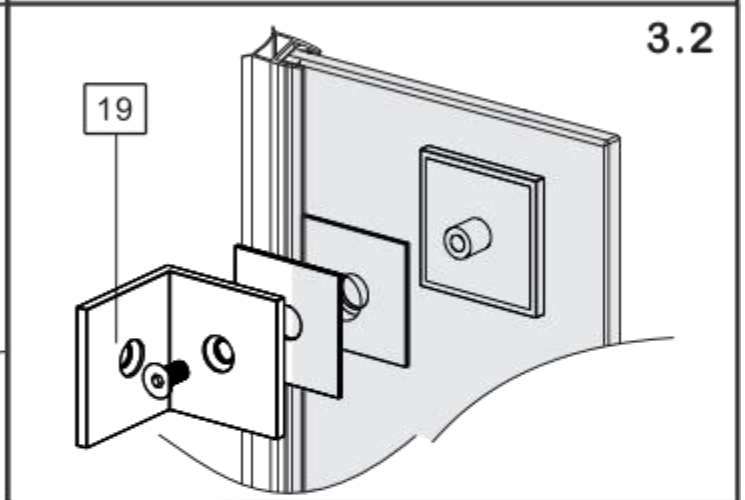
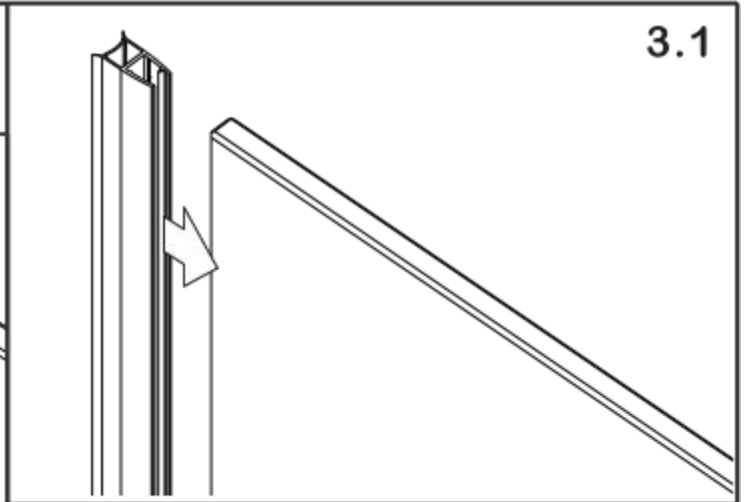
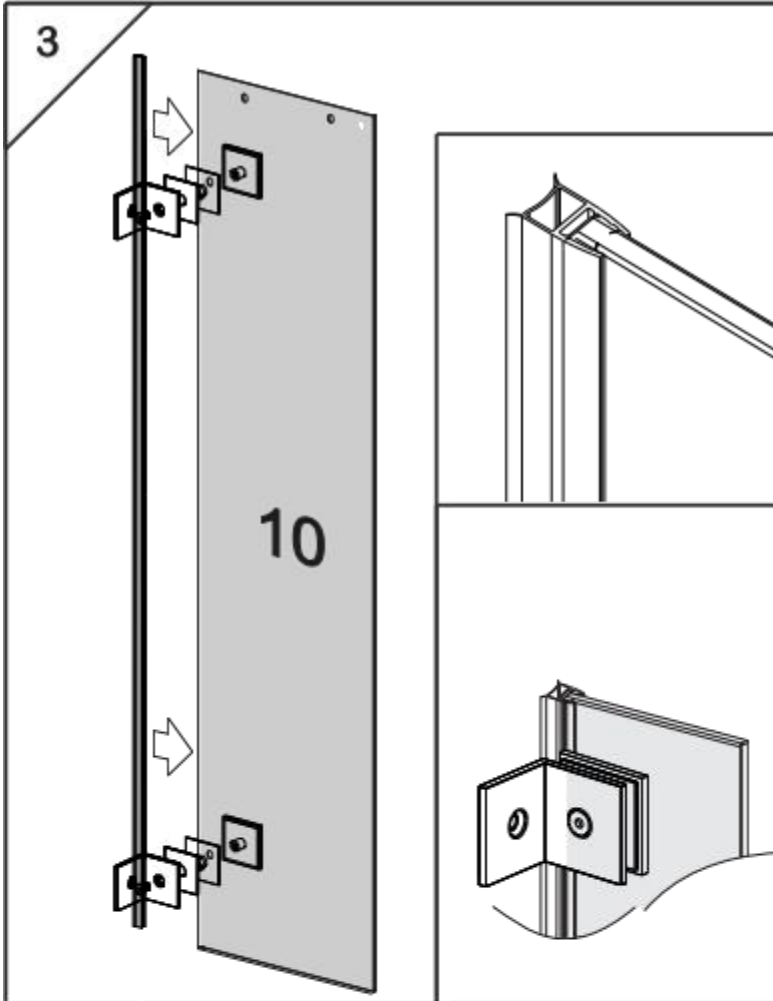
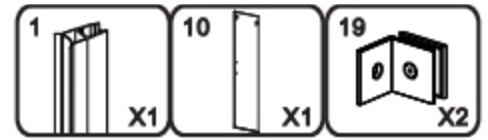
PF-100

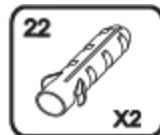
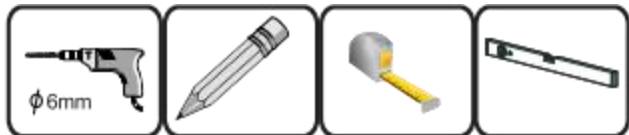
1524x1930mm



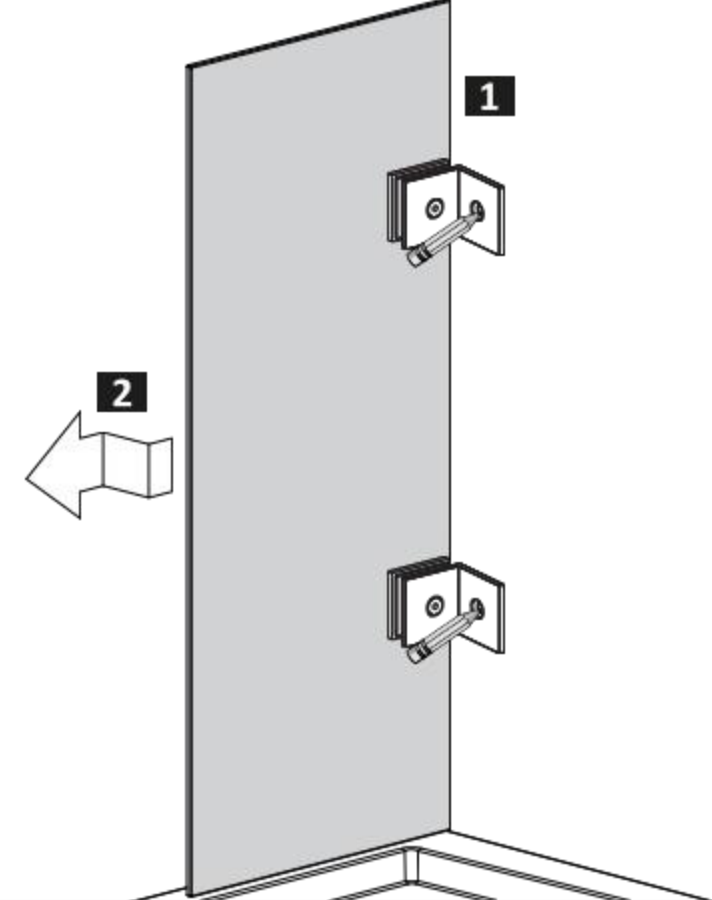




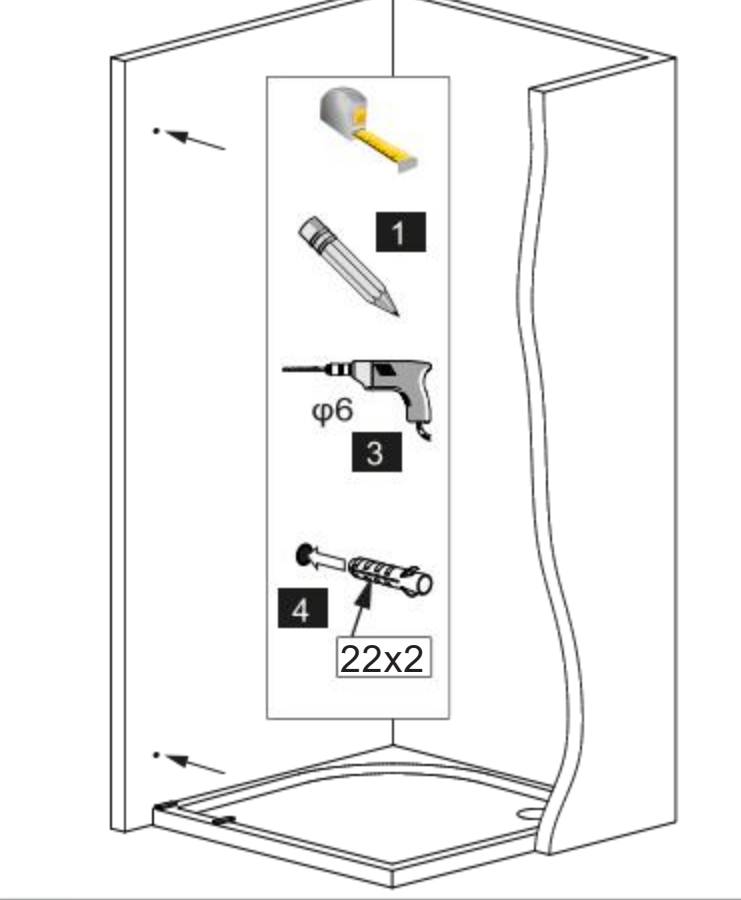




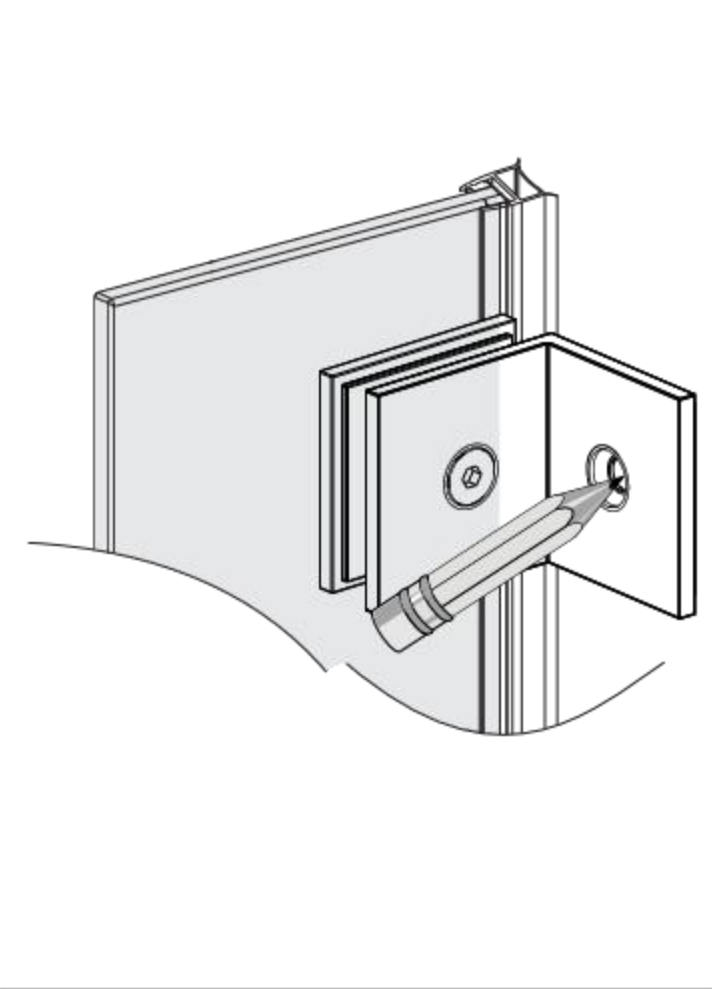
5



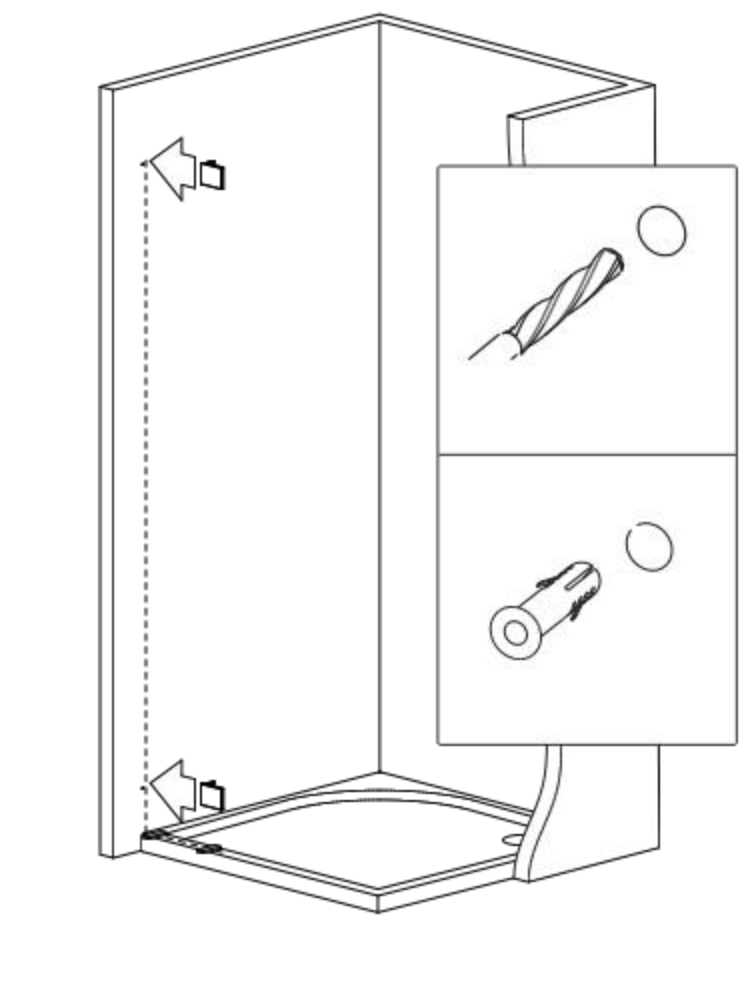
5.1

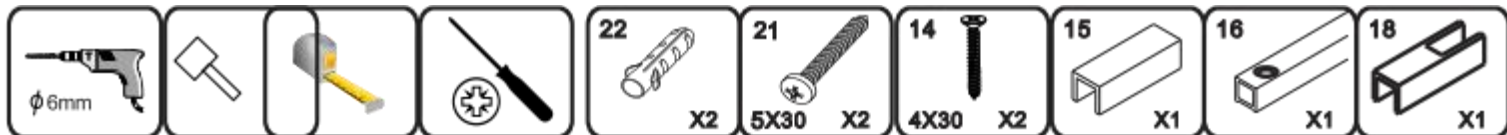


5.2

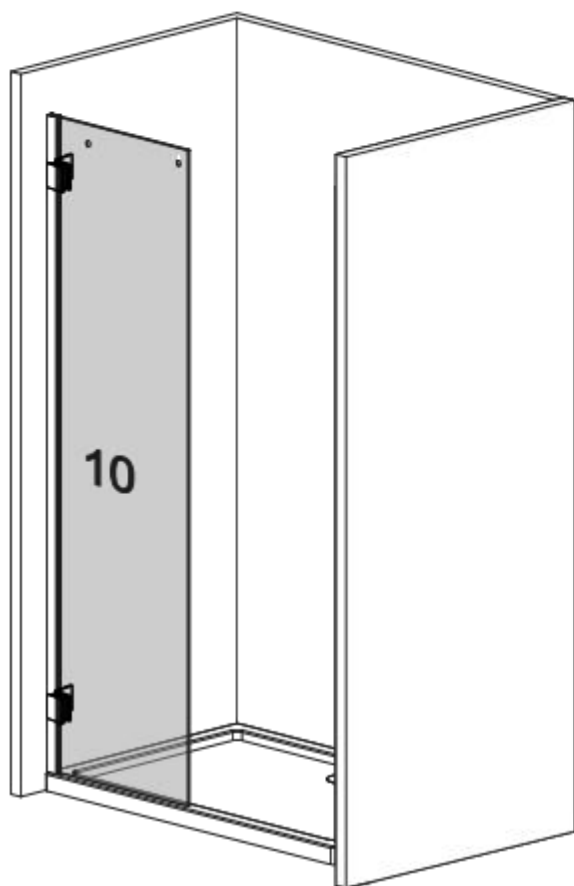


5.3

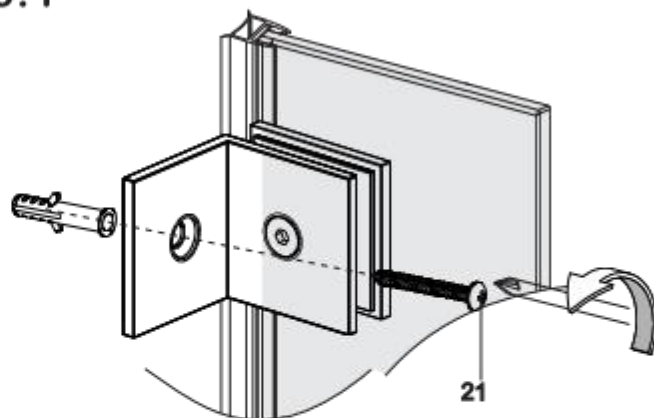




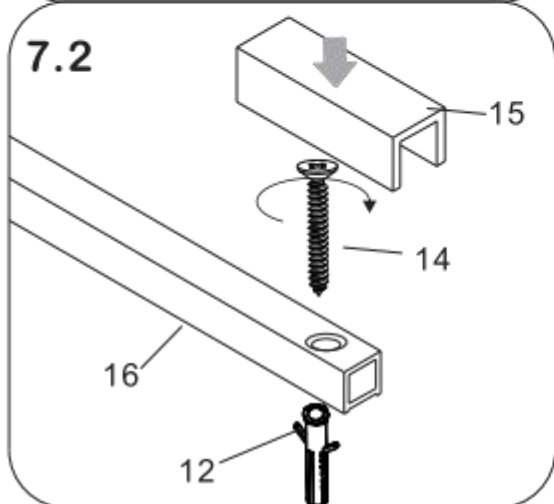
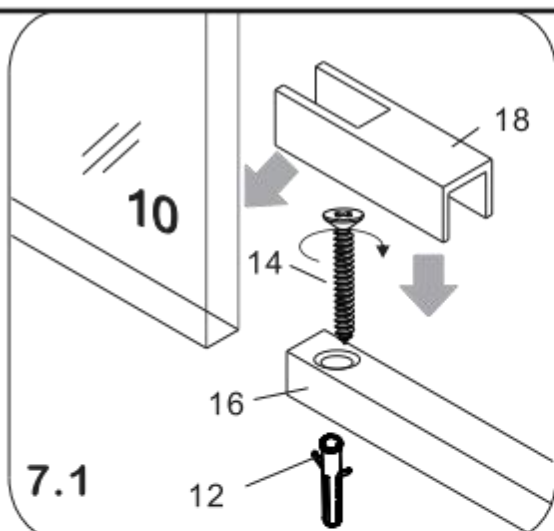
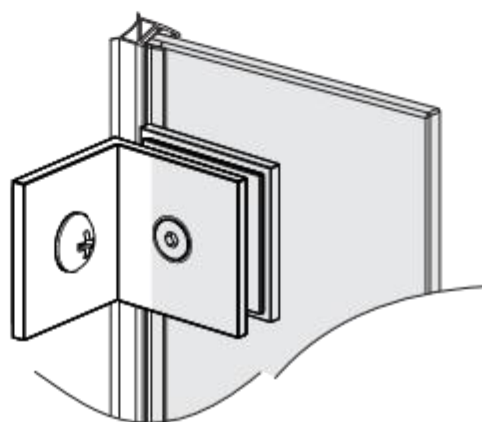
6



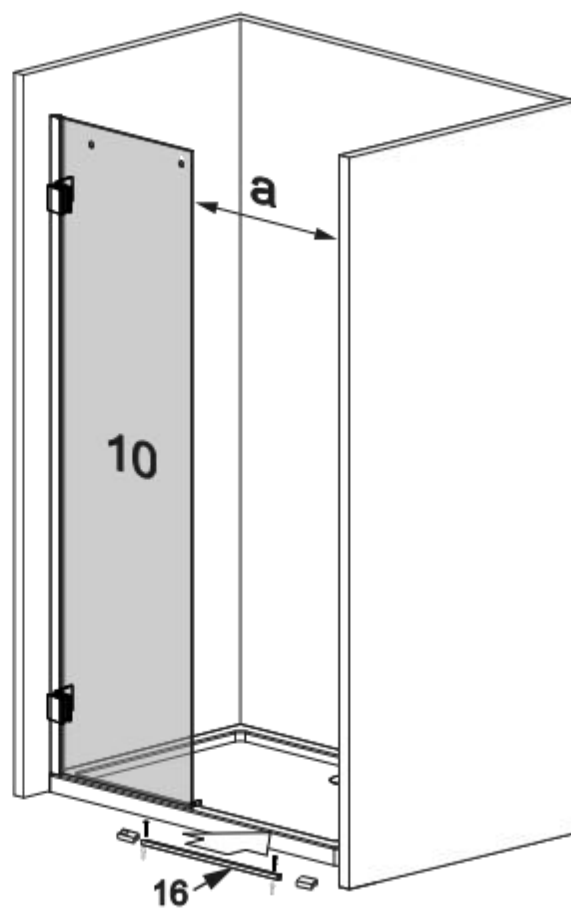
6.1

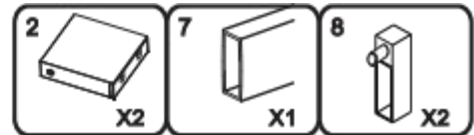


6.2

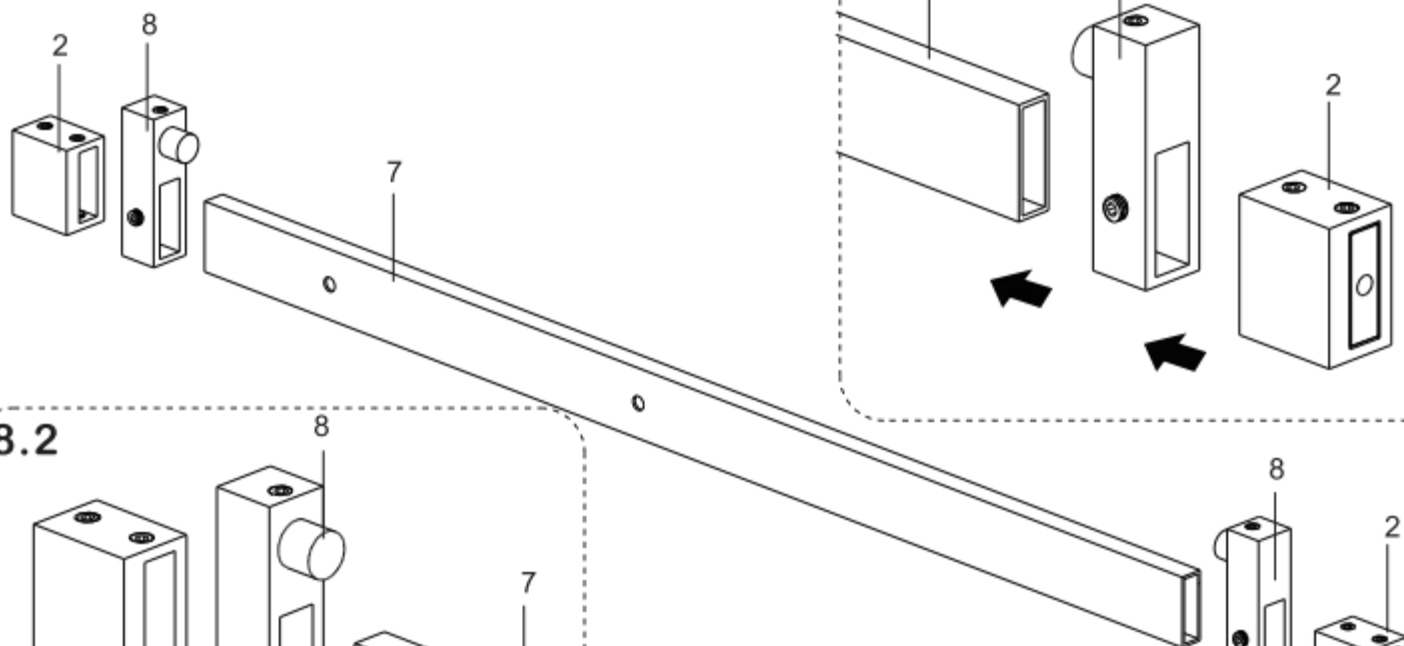


7

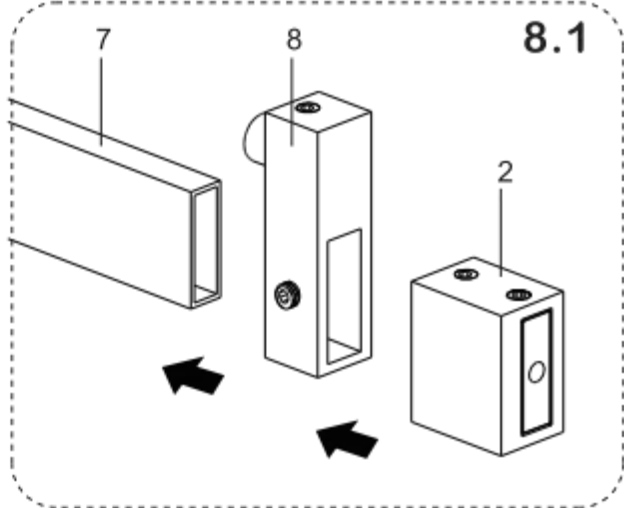




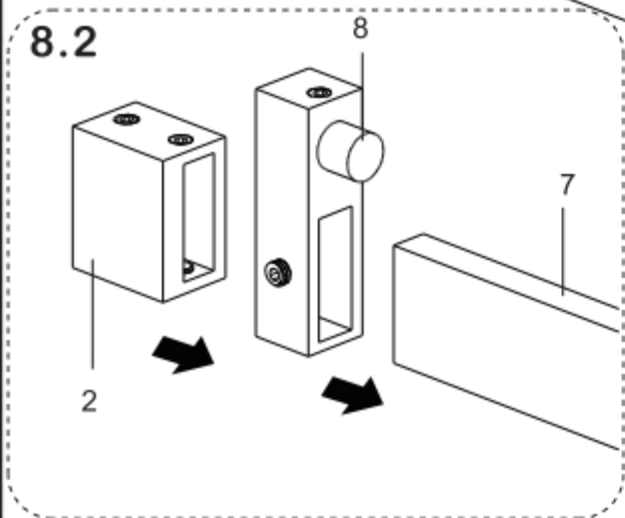
8



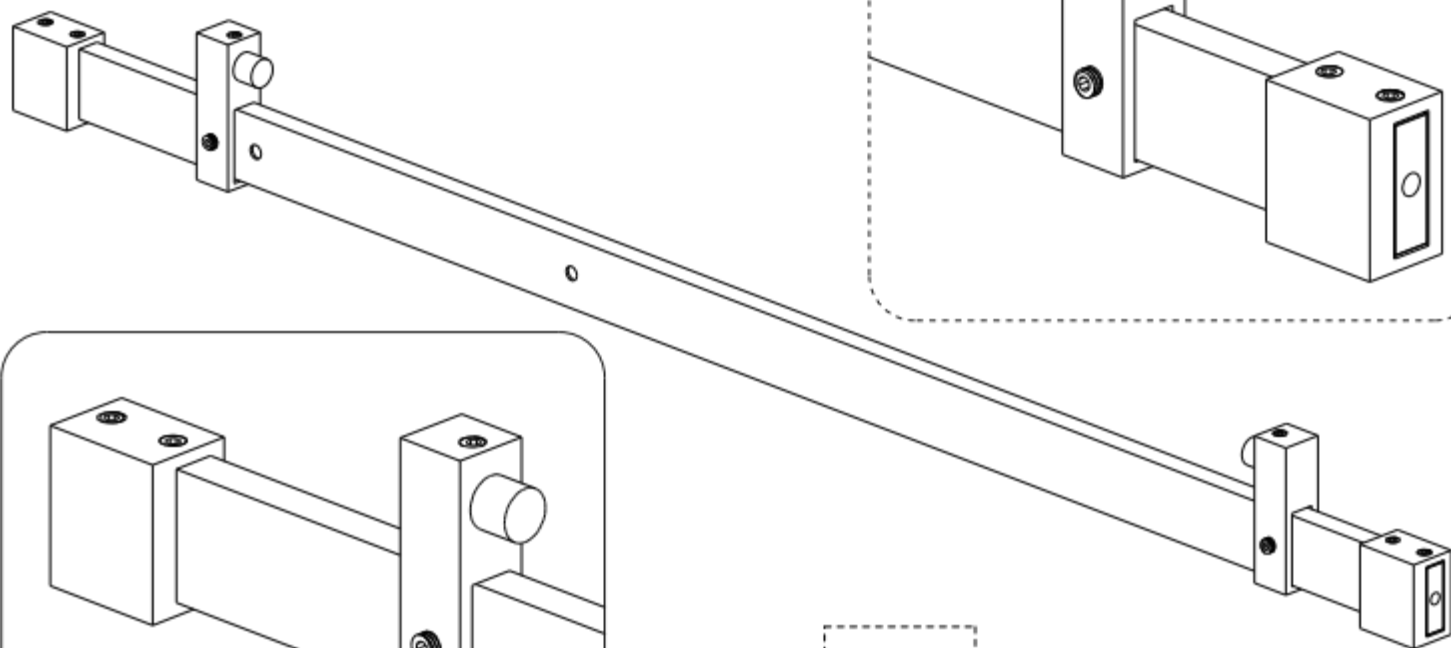
8.1



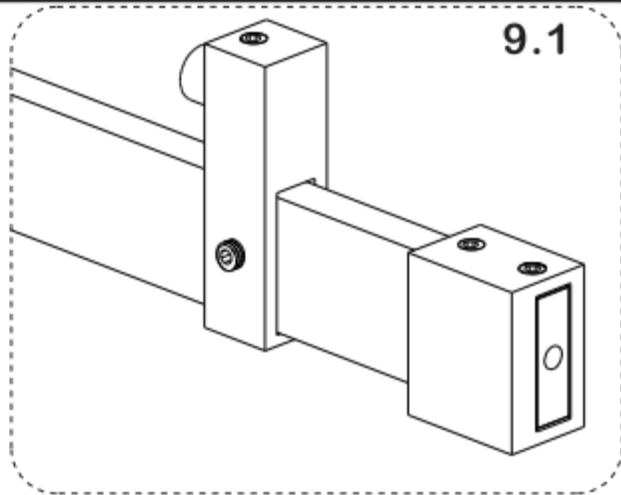
8.2



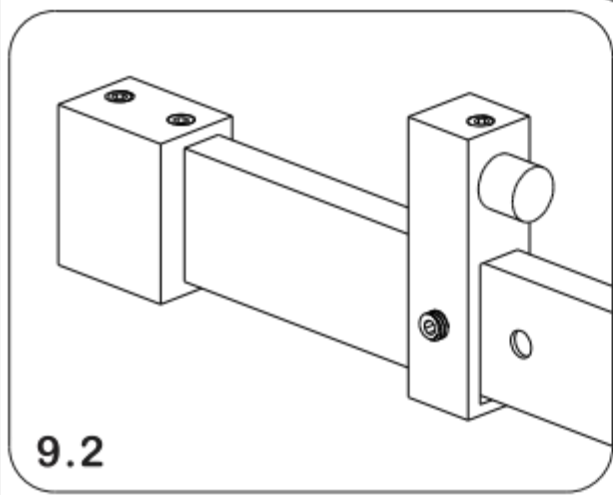
9



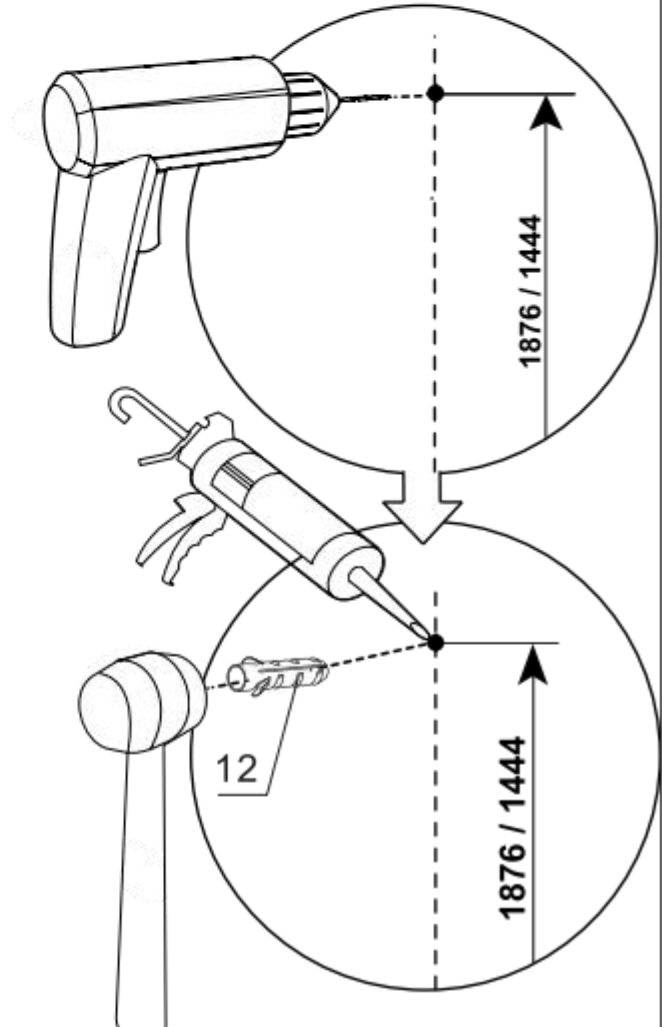
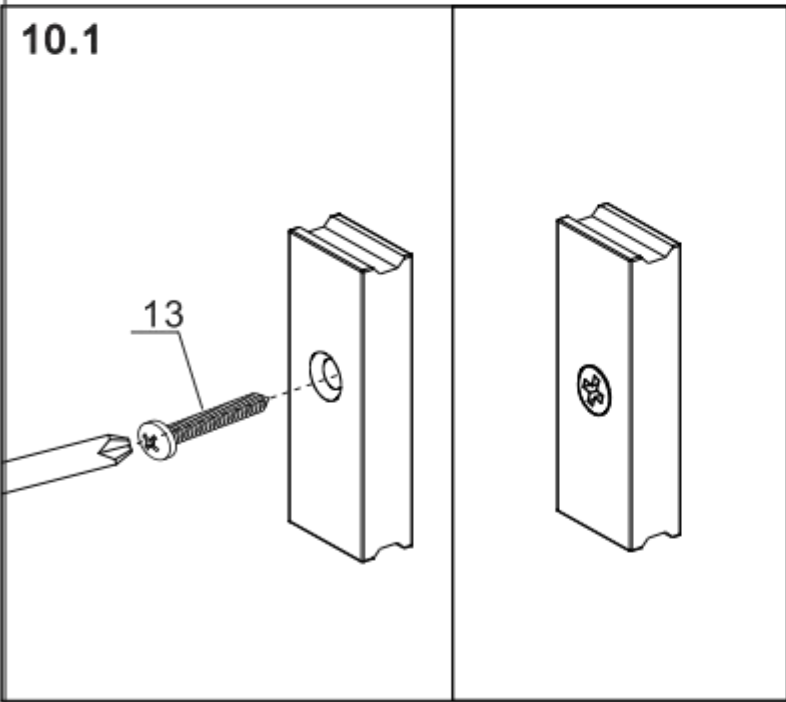
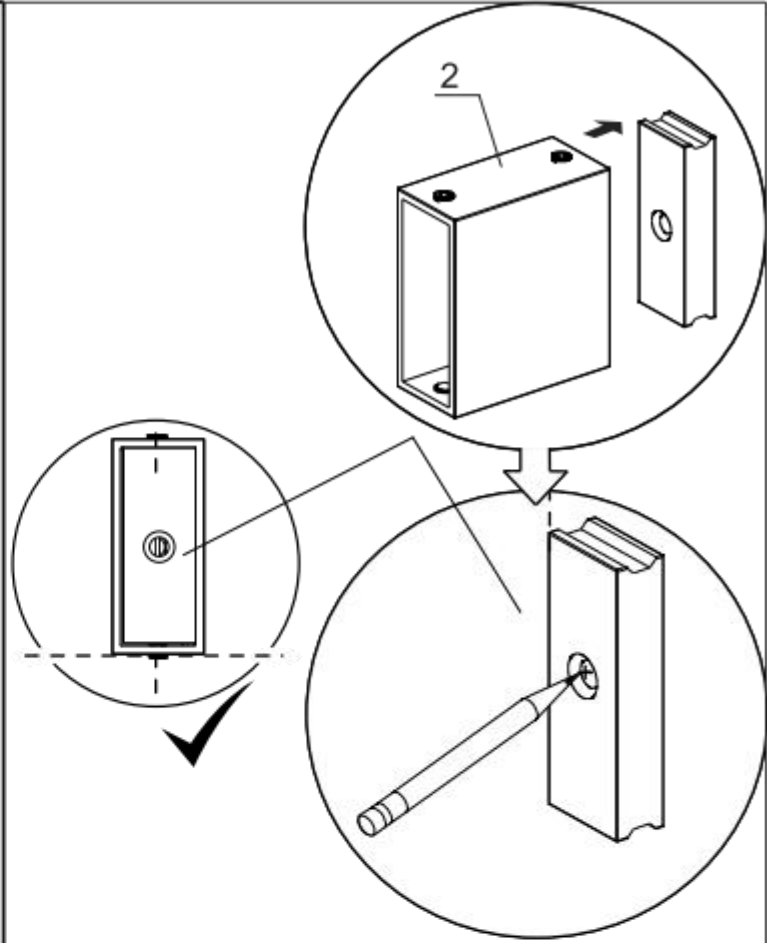
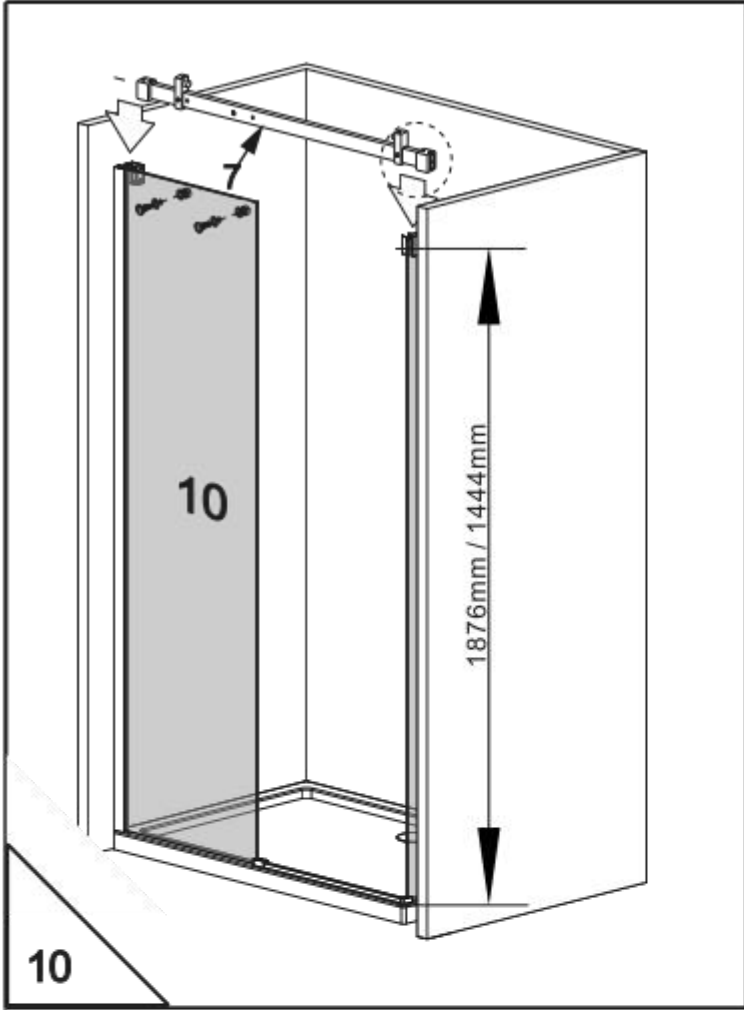
9.1

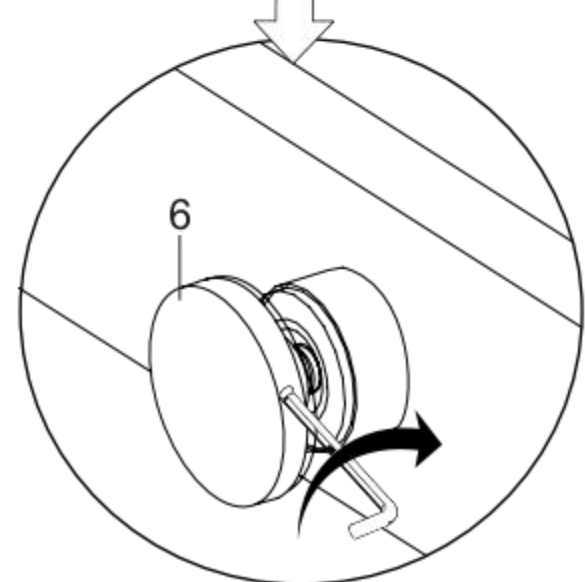
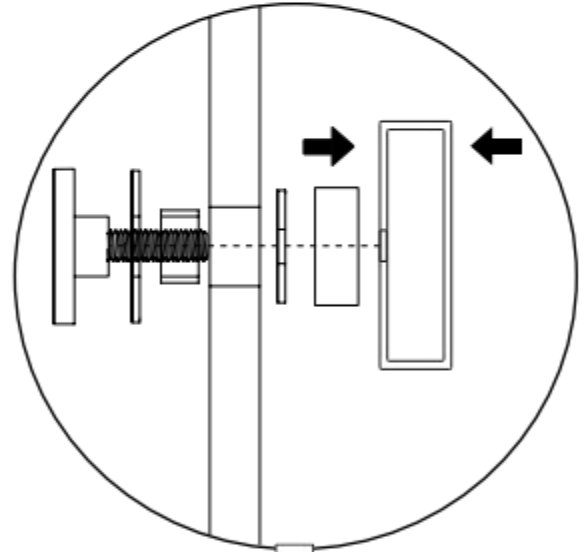
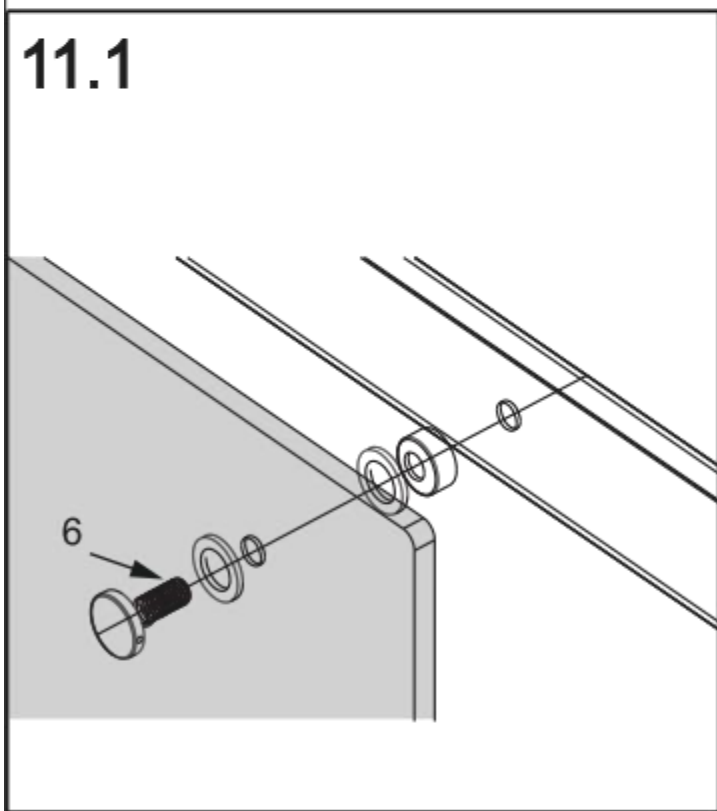
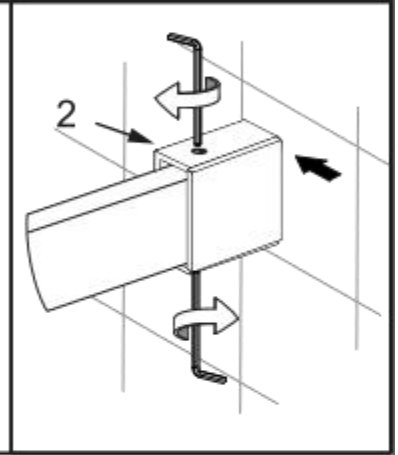
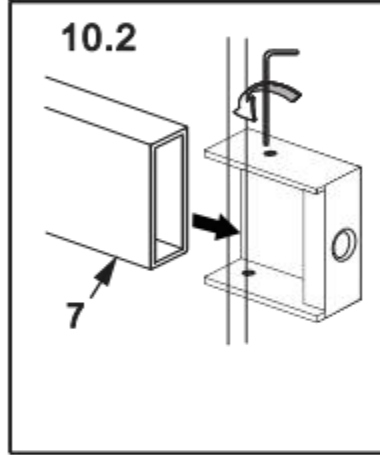
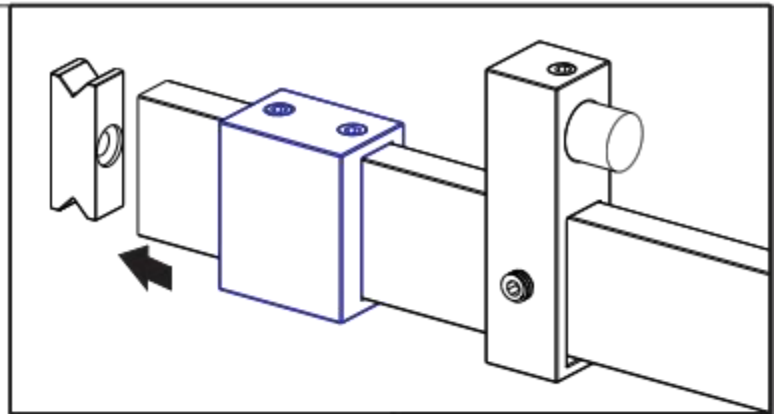
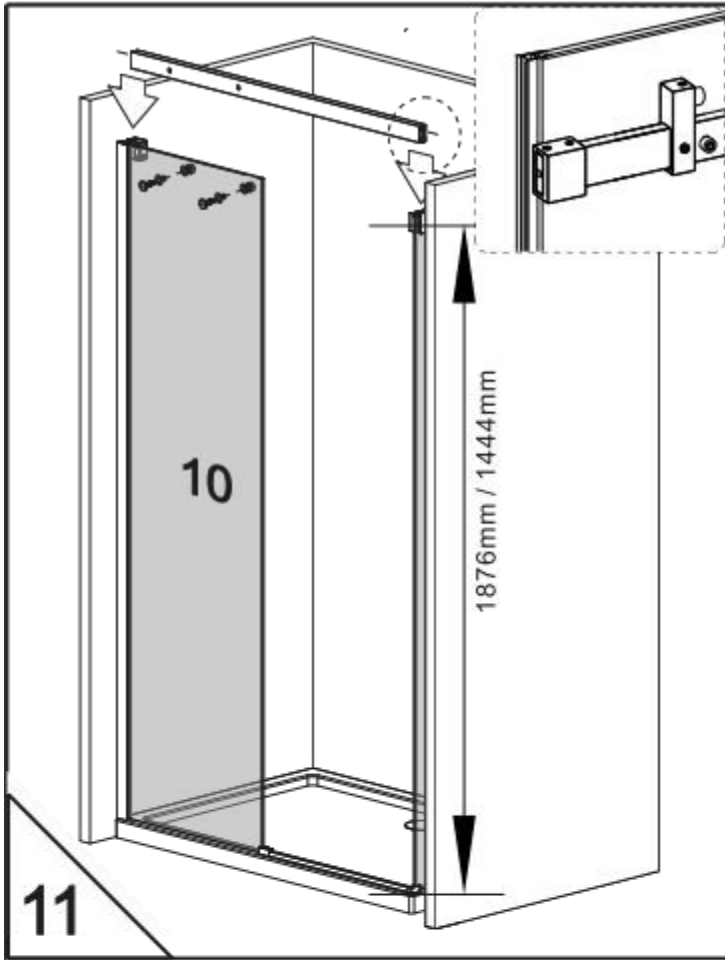
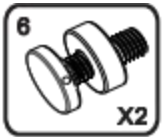


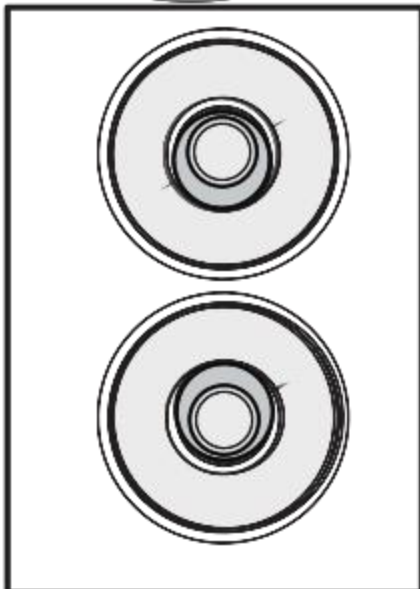
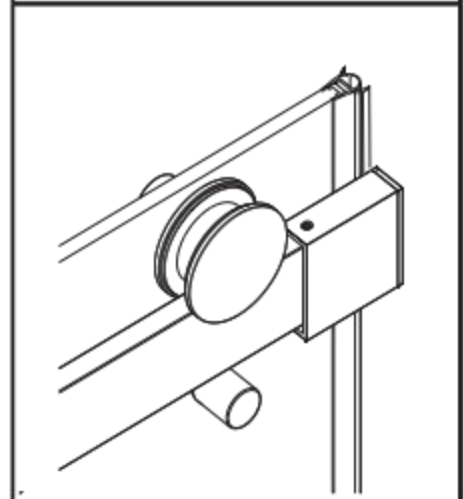
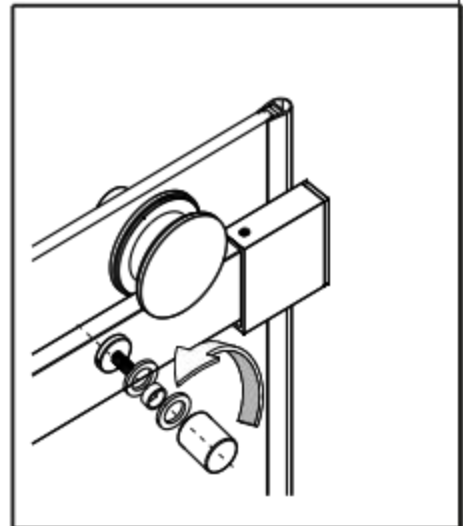
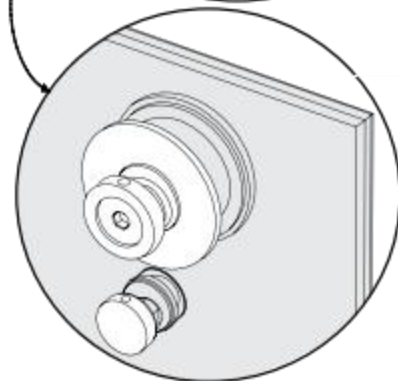
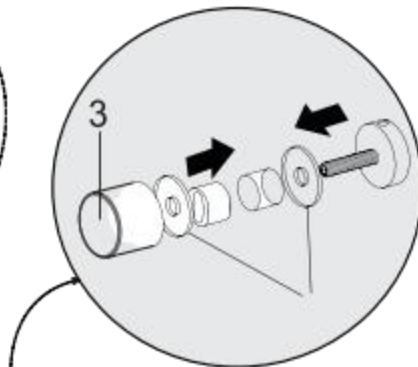
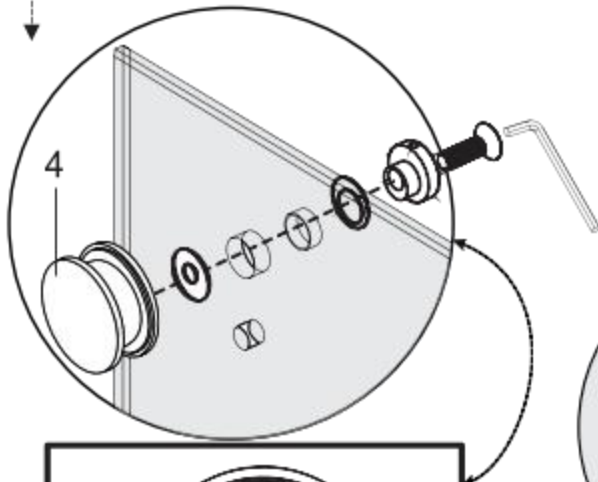
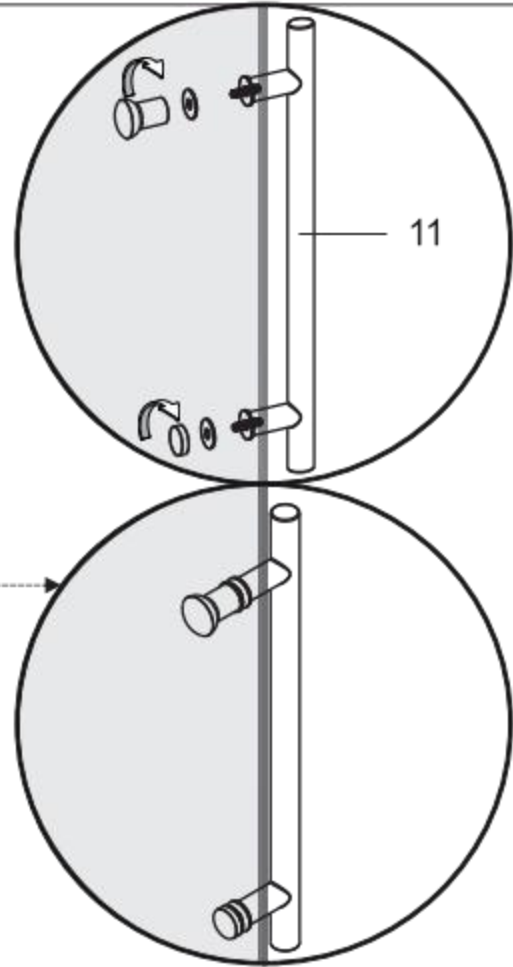
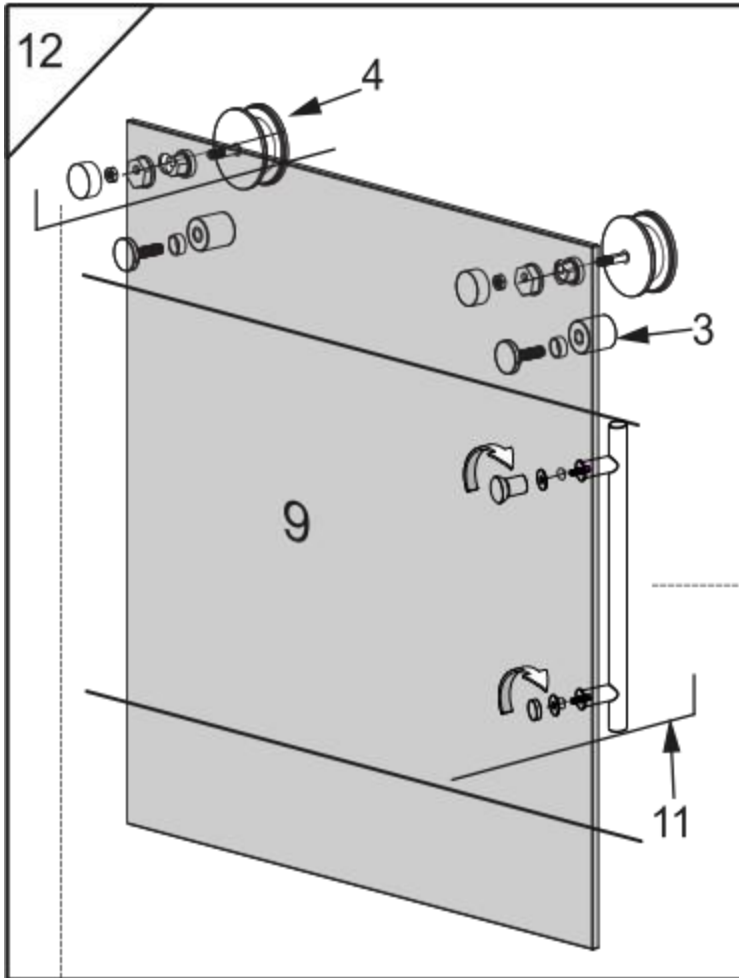
9.2

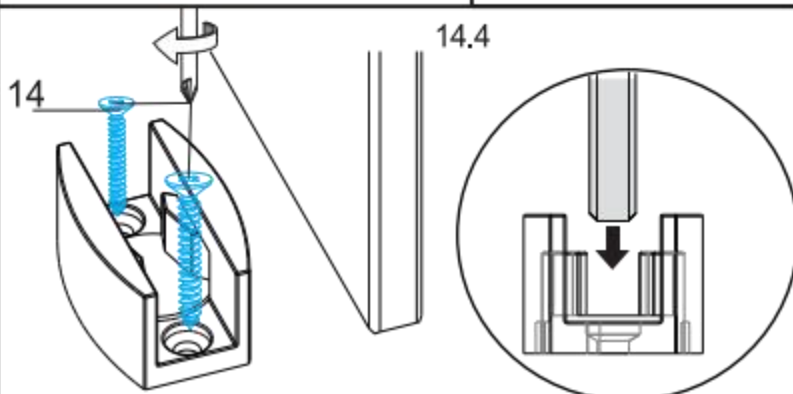
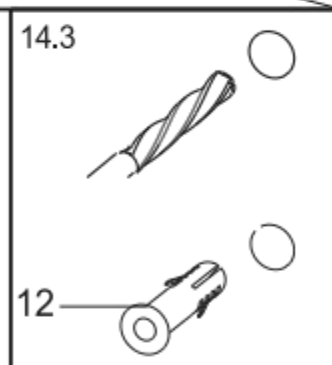
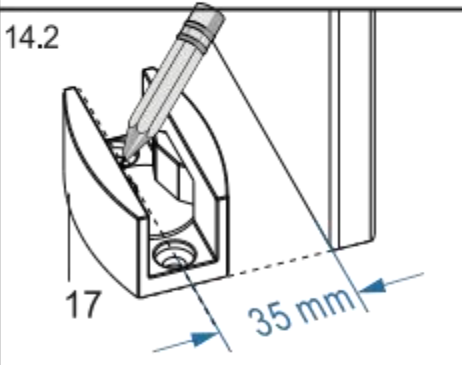
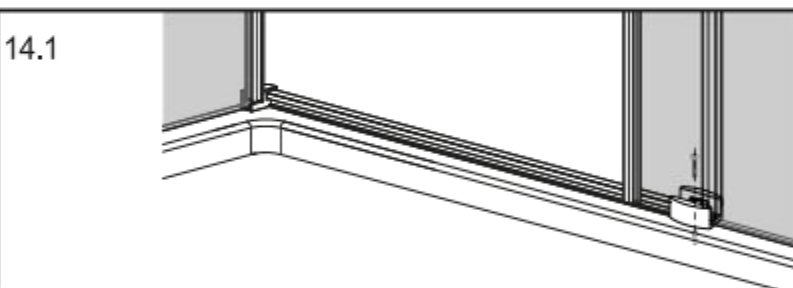
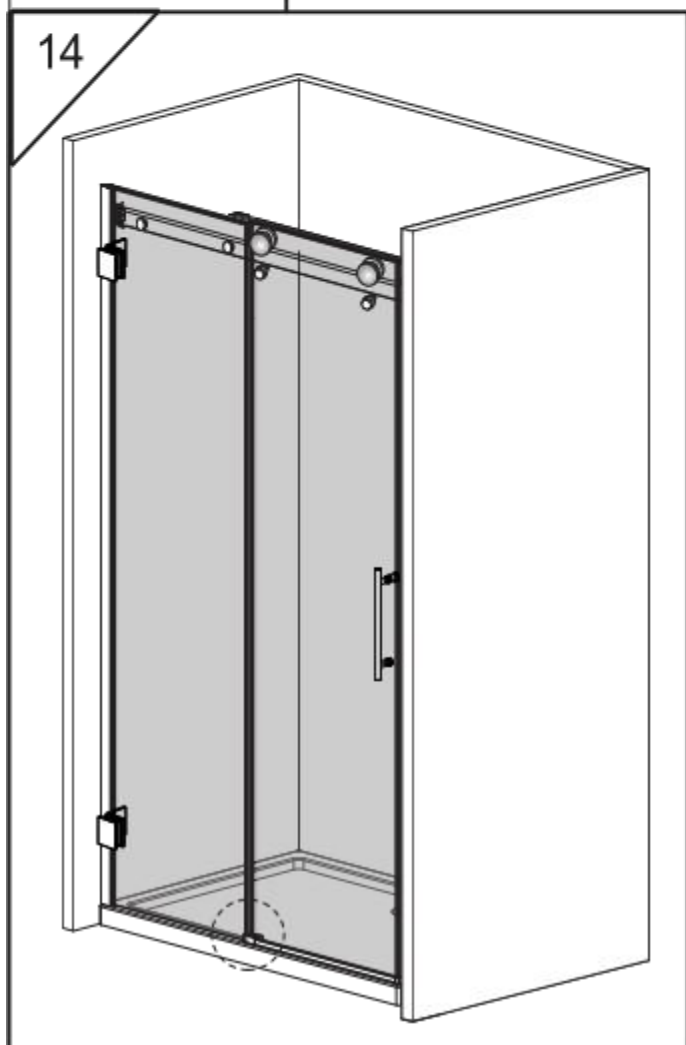
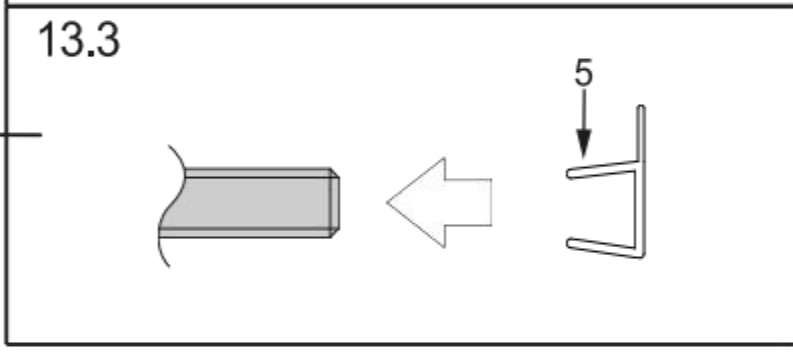
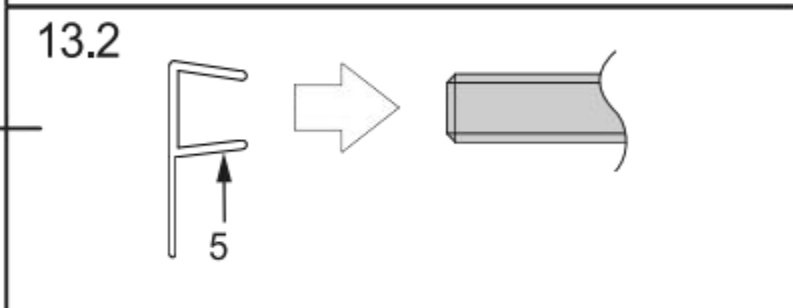
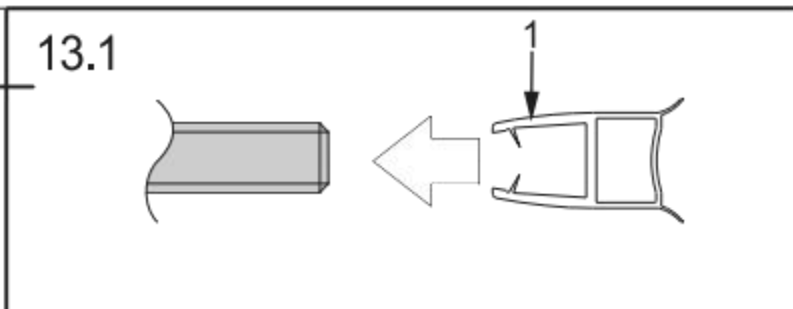
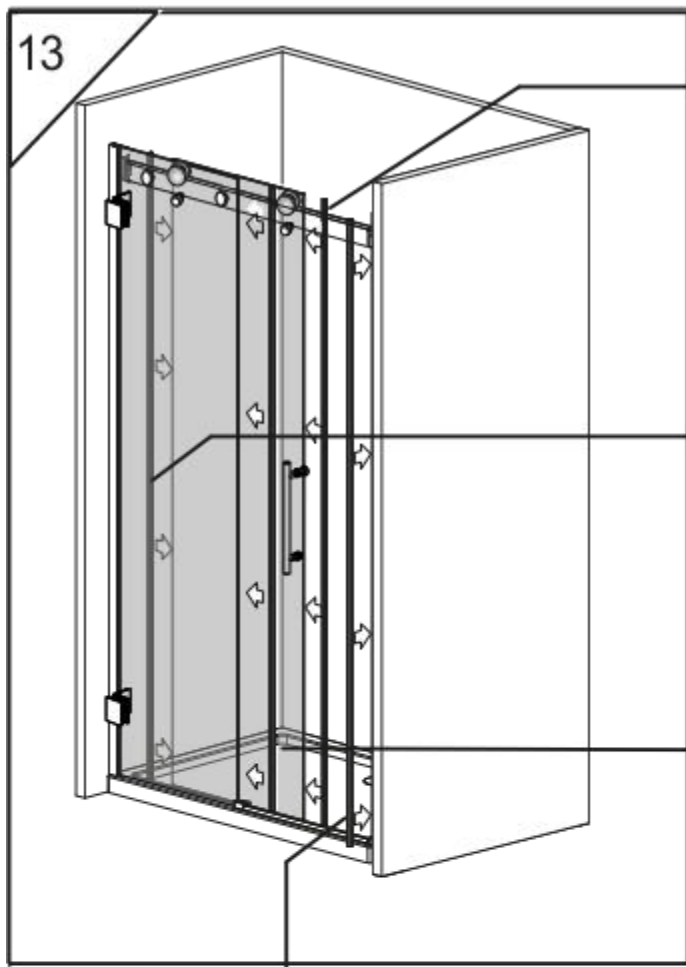


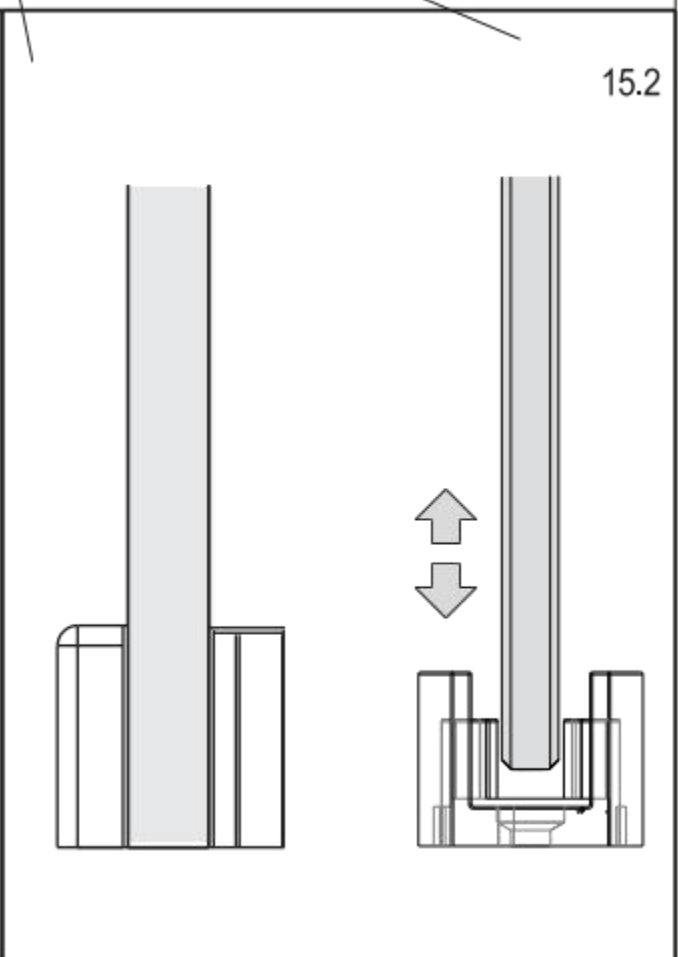
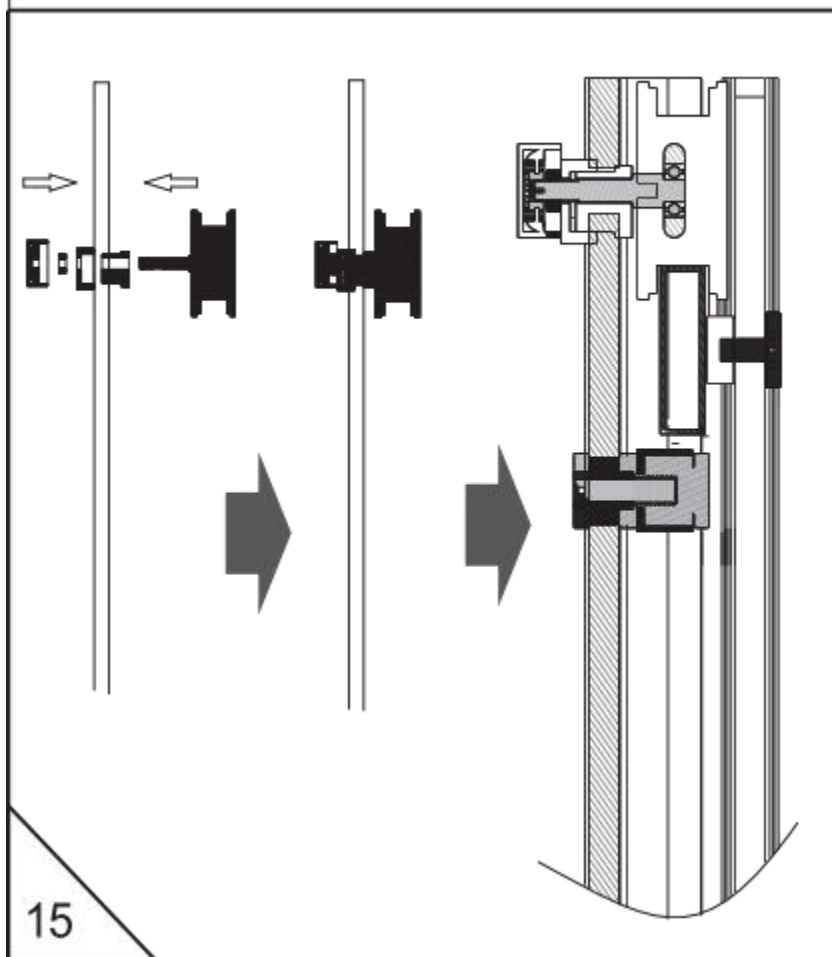
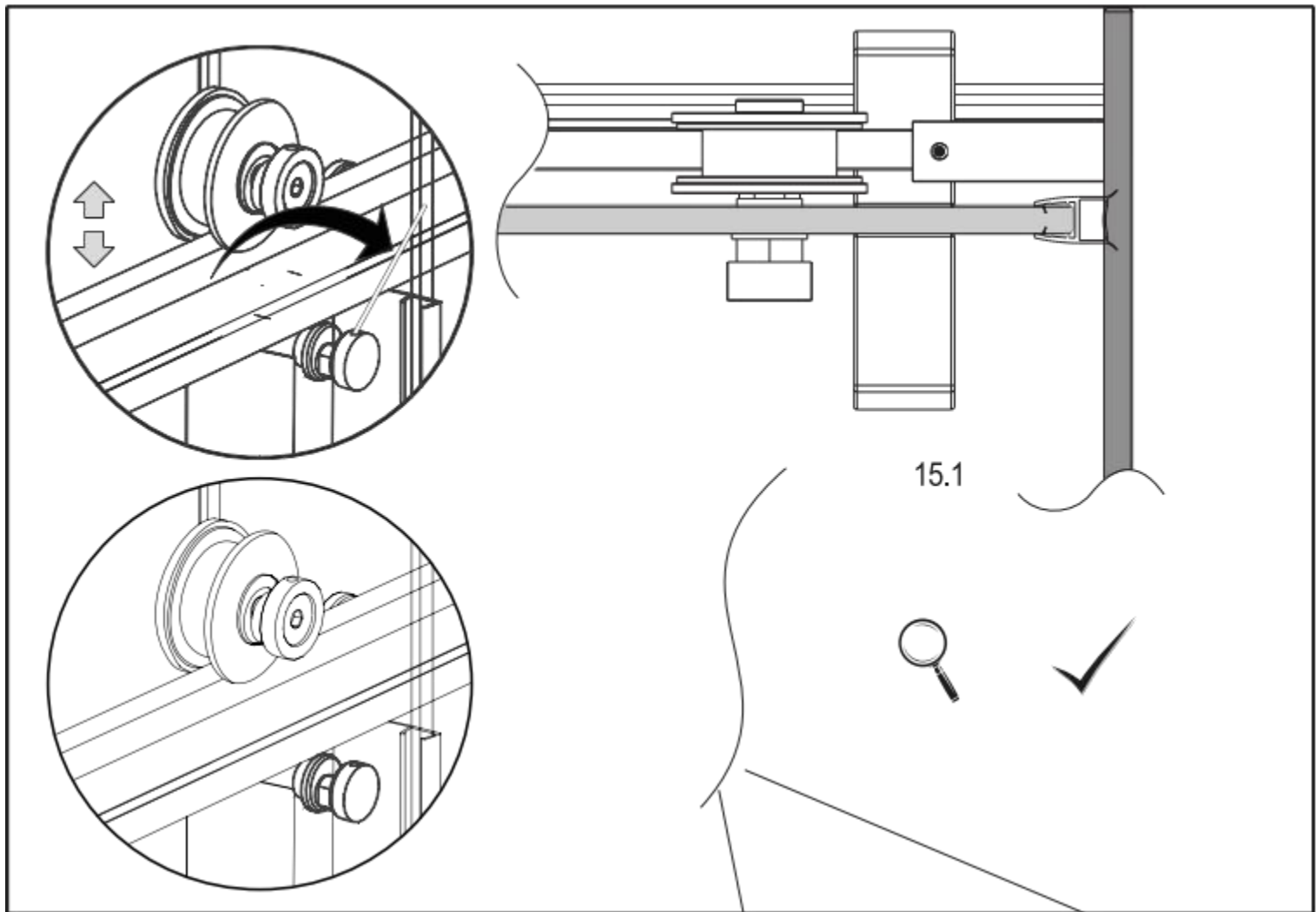


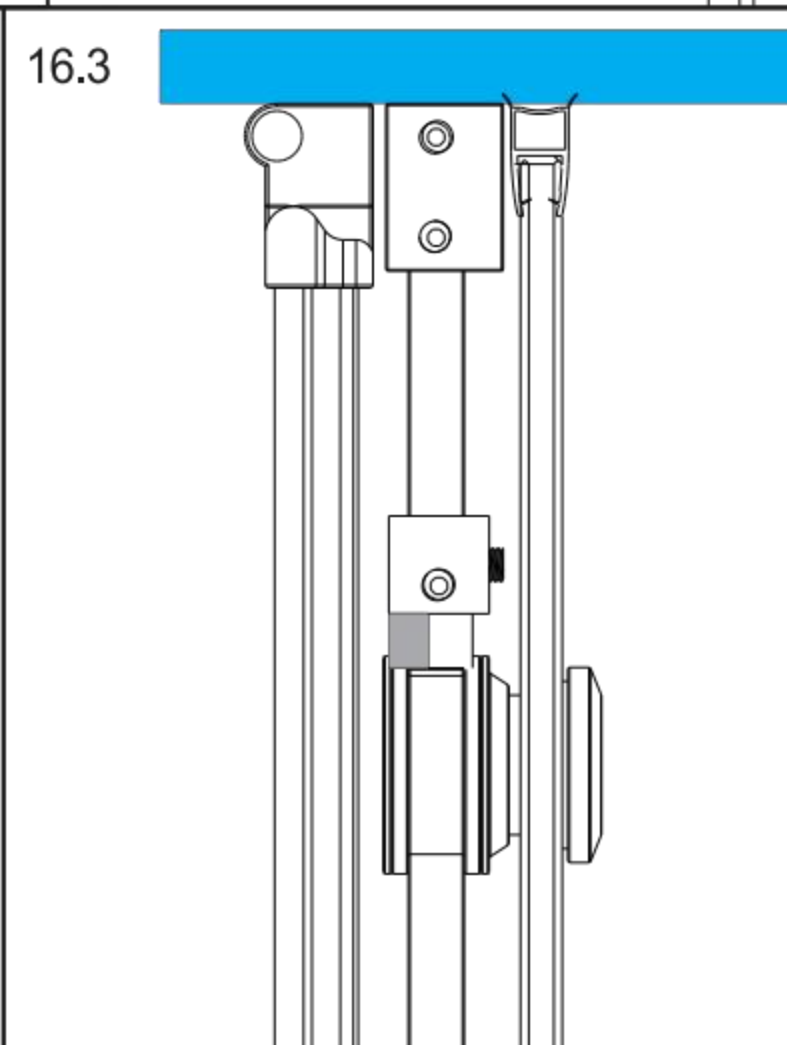
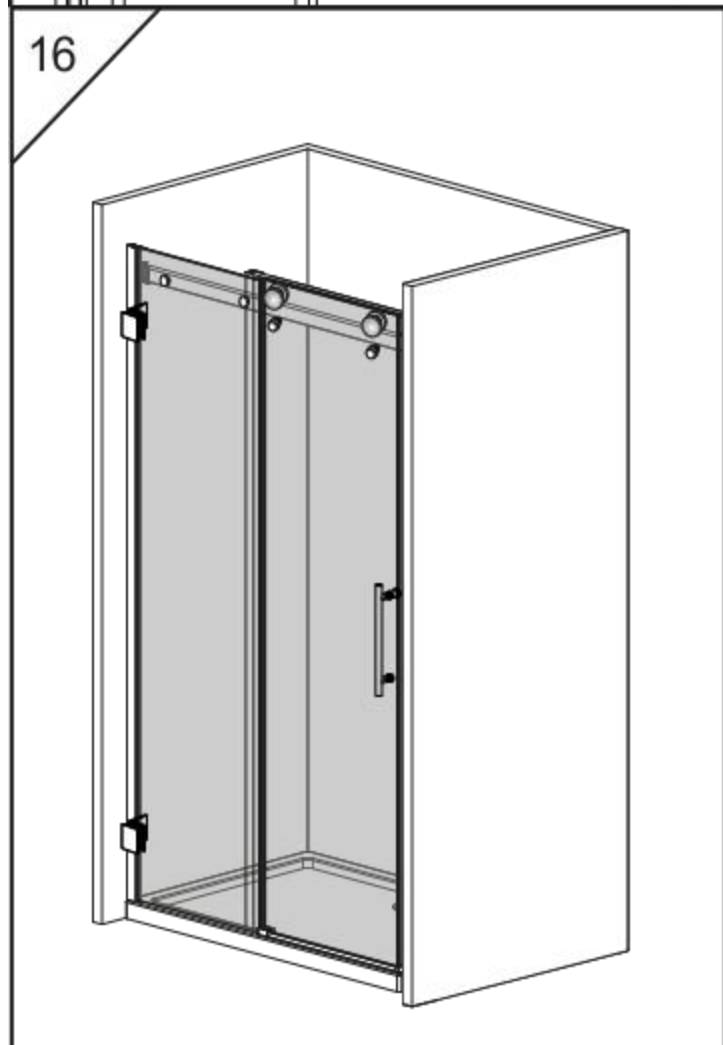
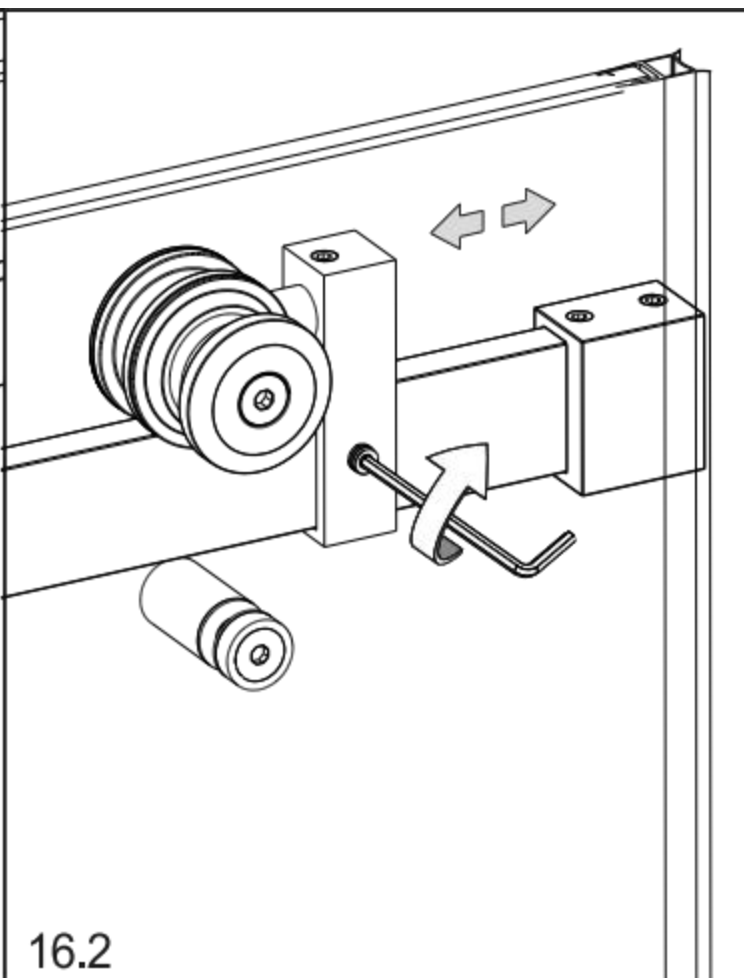
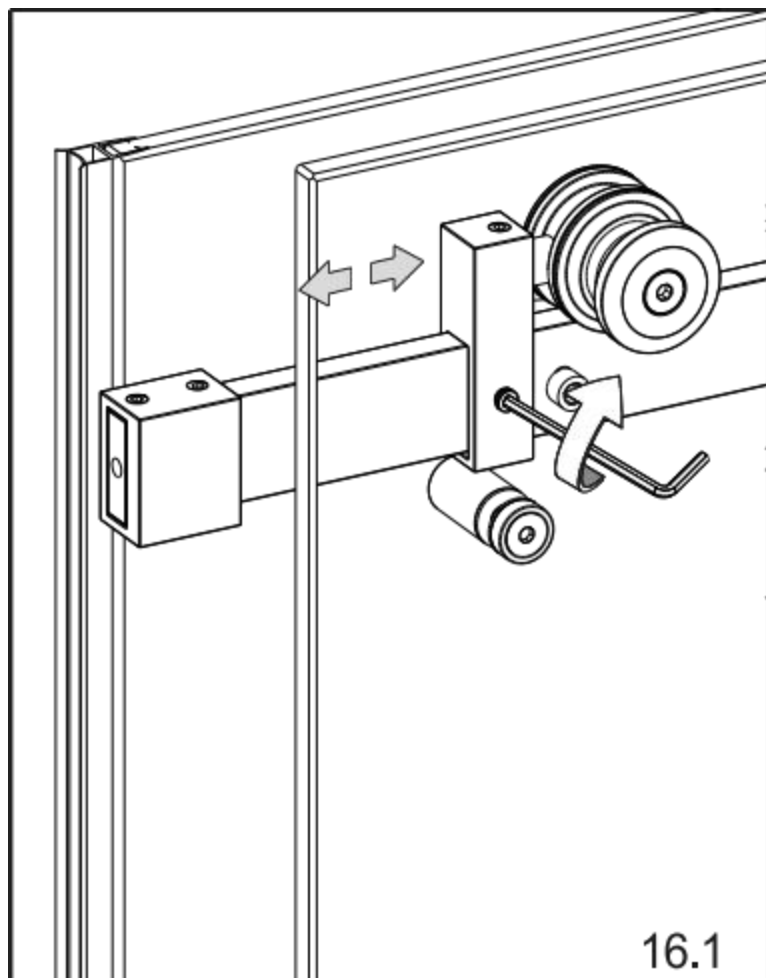


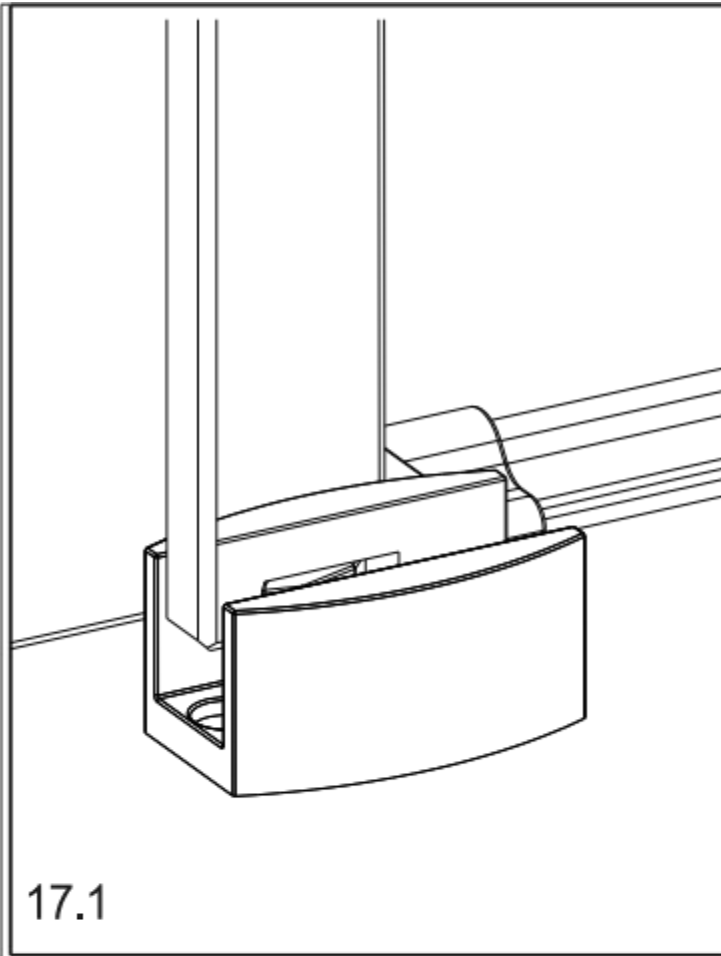








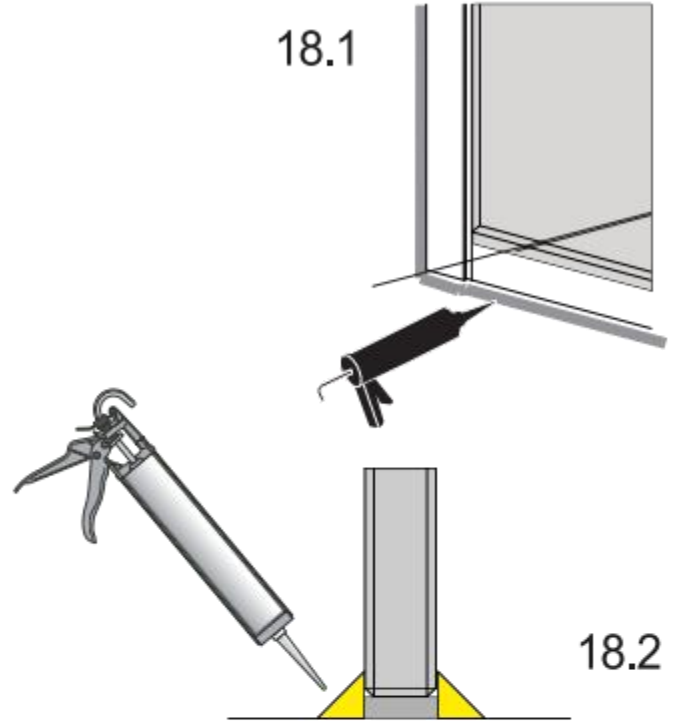




17.1

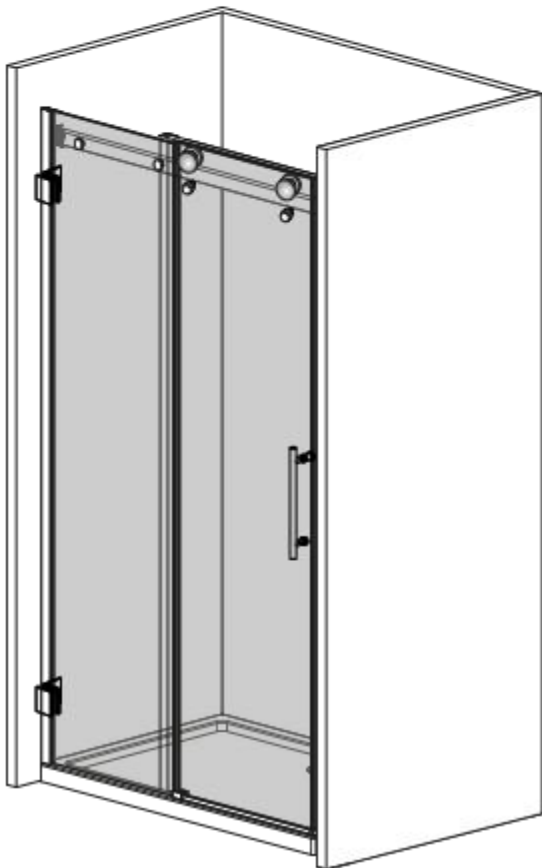


18.1



18.2

17



18

