

SHOWER FAUCET

Installation Manual



MB/BN/BG/ORB/CP

Installation precautions

1. When you open the product packaging, please check the product and accessories at first. If there is any discrepancy, please contact us.
2. The hot and cold water supply pipe of the faucet must be properly connected. When facing the front of the faucet, the hot water supply is on the left and cold water supply is on the right. Incorrect connection will cause permanent damage to the cartridge.
3. If the accessories to be changed without affecting the use, we will not make a prior notice.
4. The impurities in the water supply pipe must be cleared before installation to avoid blockage.
5. The water pressure of the faucet is 0.05MPa-1.0MPa(including cold water and hot water pressure). Applicable water temperature range:39 °F-194°F.

Preparation before installation

1. Please read the installation manual carefully before installation.
2. Installation work must be performed by a professional installer.
3. Installation tool:

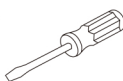
Plumber's putty



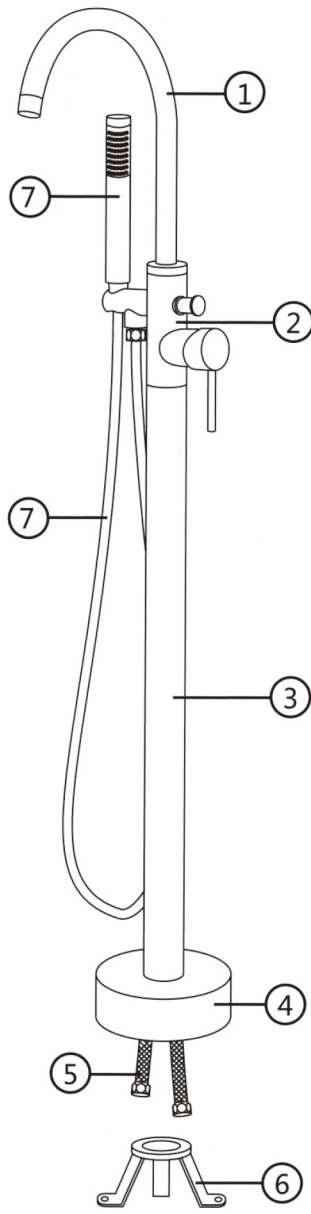
Thread seal tape



Included



Product Diagram and Parts



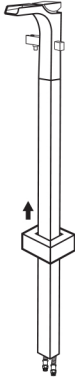
Accessory List:

- 1.Tub Filler Spout
- 2.Body
- 3.Standing Tube
- 4.Floor Escutcheon
- 5.Flexible hoses*2
- 6.Permanent Seat
- 7.Hand Shower and Hose
8. Expansion Screw

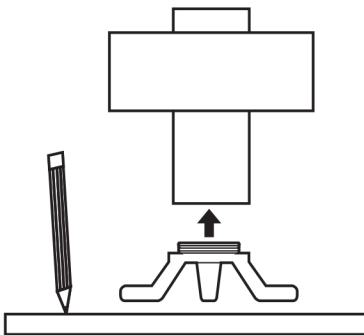
Freestanding faucet installation

INSTALLATION

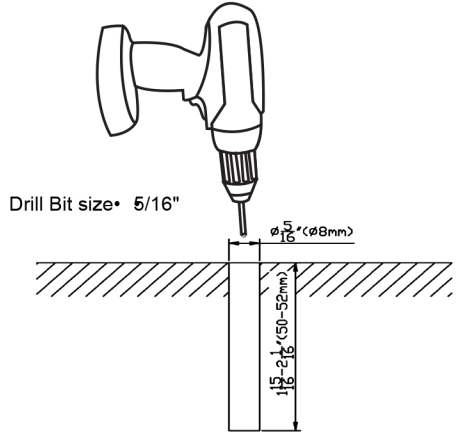
1. Slide the decorative baseplate onto the faucet body, as shown.



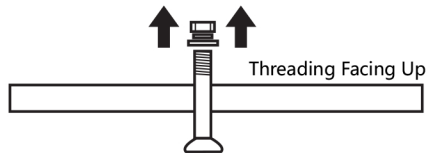
2. Attach the mounting bracket by threading it onto the base of the faucet. Hand tighten firmly. Position the faucet at its desired location, then mark the location of the mounting holes on the floor. Set the faucet aside.



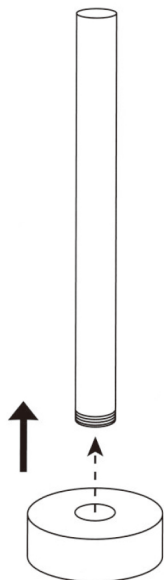
3. Drill pilot holes into the floor at the marked mounting hole locations.



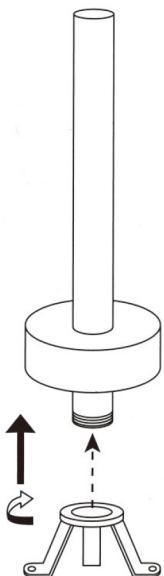
4. Remove the nuts, locking washers, and metal washer from each of the mounting screws. Drop each of the screws and anchors into the drilled pilot holes, with the threads facing up through the floor.



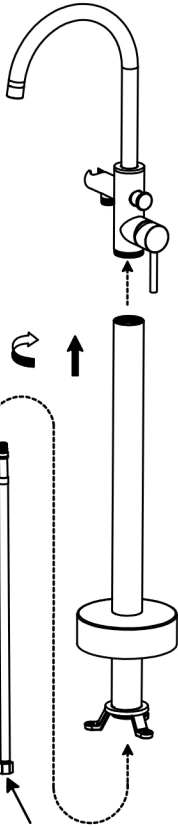
Faucet Installation Steps



1. The floor escutcheon through the standing tube from top to bottom.



2. Installed the permanent seat.

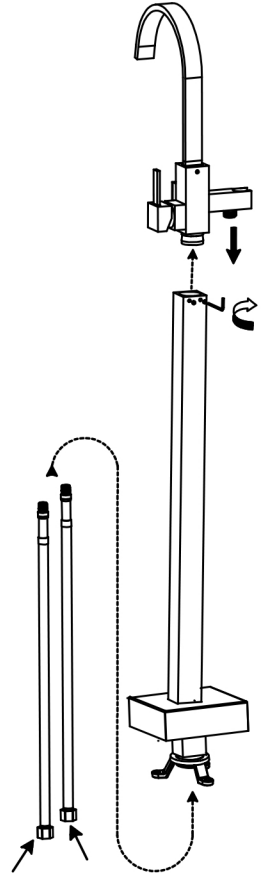


3. The flexible hoses through the standing tube. Twist tight to attach flexible hoses to the faucet.

4. Twist to tighten the standing tube to the top faucet.

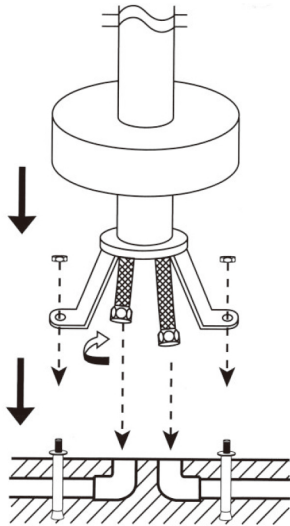
Hot water Cold water

Round free-standing faucet

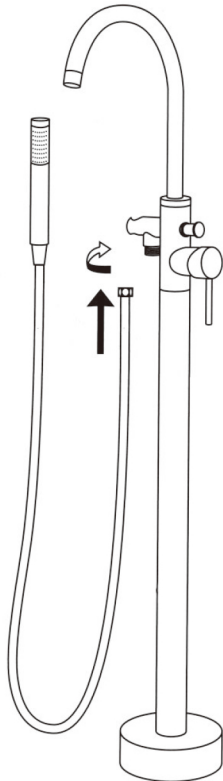


Hot water Cold water

Square free-standing faucet



5. Tighten the screws to the permanent seat on the ground. Insert the flexible hoses to the hot and cold outlet tube.



6. Install the hose to the hand shower and the tub filler. Please check the tub filler spout and hand shower water flow and its function.