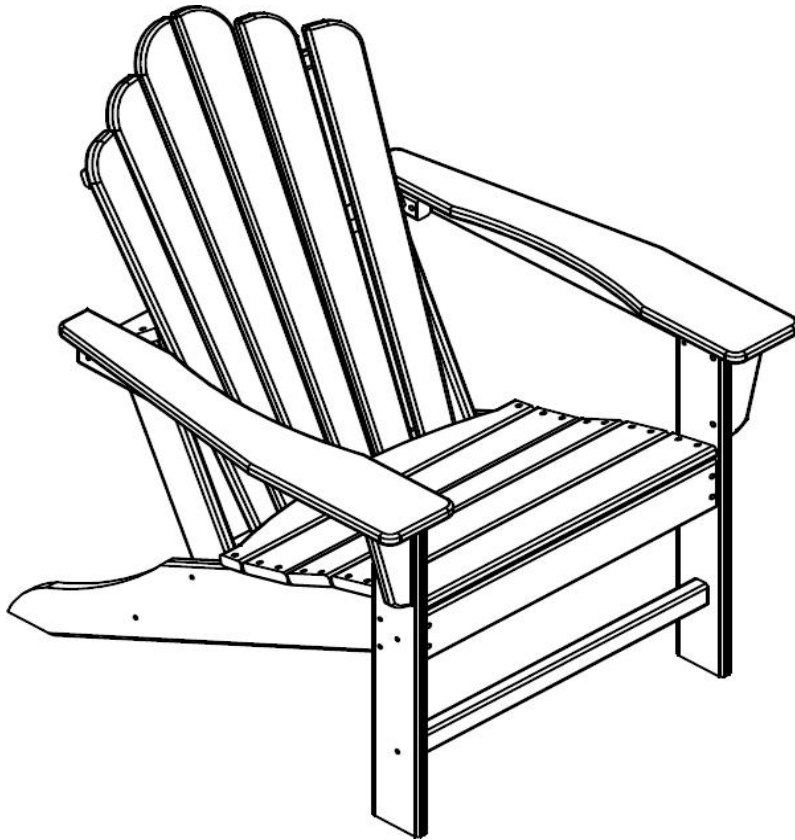


CASAINC

Assembly Instruction

Adirondack chair



Customer Service Before Return:

If part is missing or damaged, or you need help with assembly, please do not hesitate to contact us.

Website: www.casainc.com

Contact us: (303)747-4321

Email us : service@casainc.com











Before Assembly

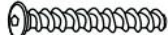
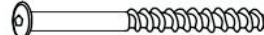


IMPORTANT NOTE:

- Make sure all parts and hardware are included and free of obvious defect before disposing of any packaging.
- Do not tighten all screws and bolts until completely assembled.
- Assembly will require two people.

PART LIST

1 	2 	3 	4 	5 	6 	7 	8 
1PC	1PC	1PC	1PC	1PC	1PC	1PC	1PC

HARDWARE LIST

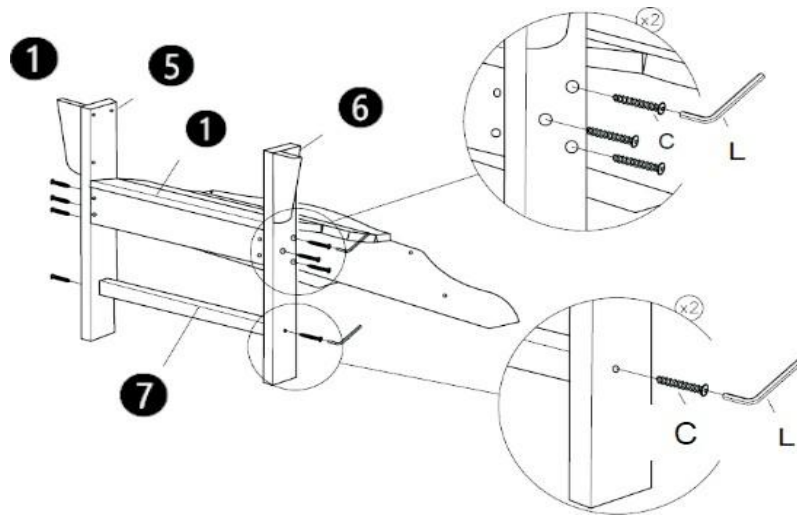
A  40mm	B  80mm	C  50mm	L  5mm
4PCS	2PCS	10PCS	1PC



NOTED:

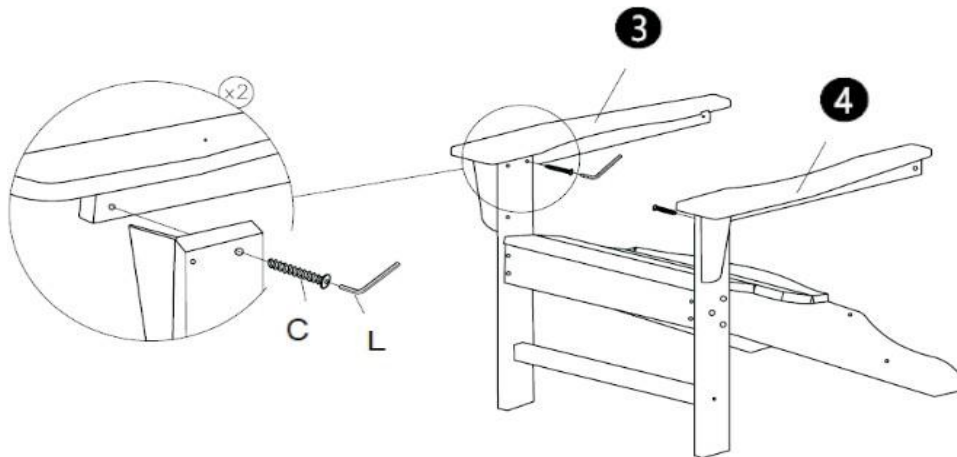
Do not fully tighten all bolts until all parts are in place. Failure to follow these instructions may cause the bolt to misalign during assembly.

Step 1



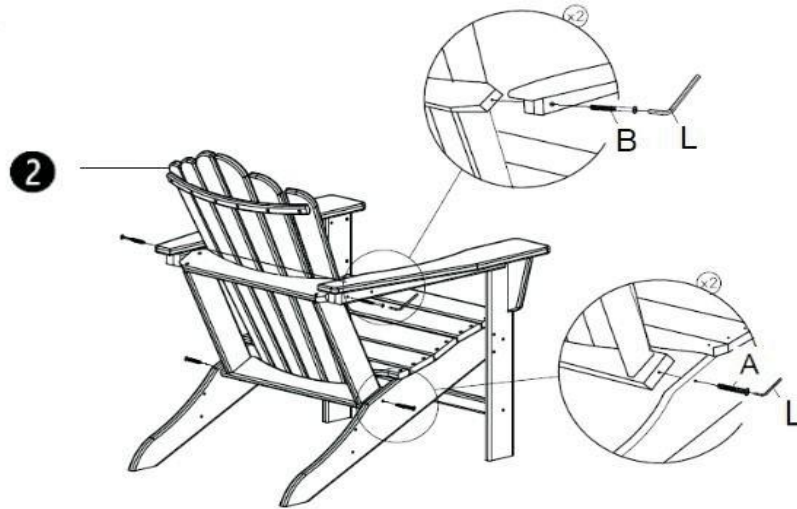
C X 8PCS 

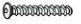

Step 2



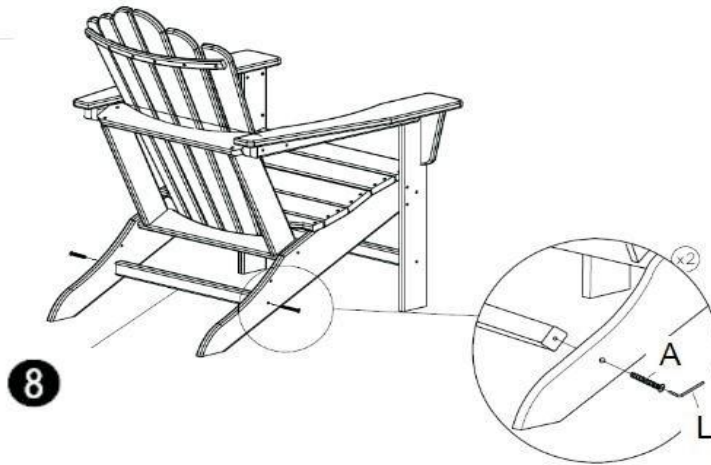
C X 2PCS 

Step 3



A X 2PCS	
B X 2PCS	

Step 4



A X 2PCS	
----------	---------------------------------------------------------------------------------------

Step 5

