

**Confidentialal : A**

**INSTALLATION INSTRUCTIONS**

**PROHIBIT COPY**

SKU:CA49WM-BN



Prior to installation please check received items against the Packing List .Please report any missing items .

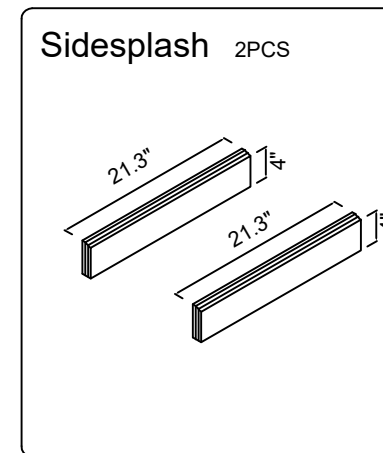
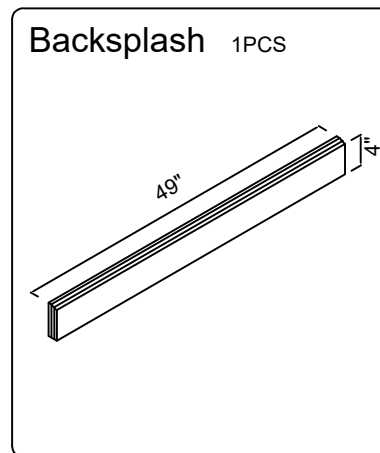
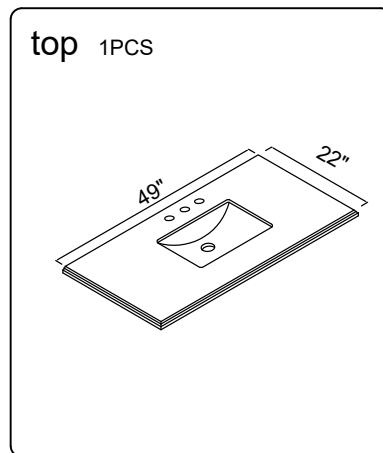
Call: 888-257-3857

Email: [service@casainc.com](mailto:service@casainc.com)

Protect all surfaces from sharp objects, high heat sources,direct prolonged sunlight and chemical hazards .

Professional installation recommended !

PACKING LIST



**Confidentialal : A**

**INSTALLATION INSTRUCTIONS**

**PROHIBIT COPY**

SKU:CA49WM-ST



Prior to installation please check received items against the Packing List .Please report any missing items .

Call: 888-257-3857

Email: [service@casainc.com](mailto:service@casainc.com)

Protect all surfaces from sharp objects, high heat sources,direct prolonged sunlight and chemical hazards .

**Professional installation recommended !**

**PACKING LIST**

