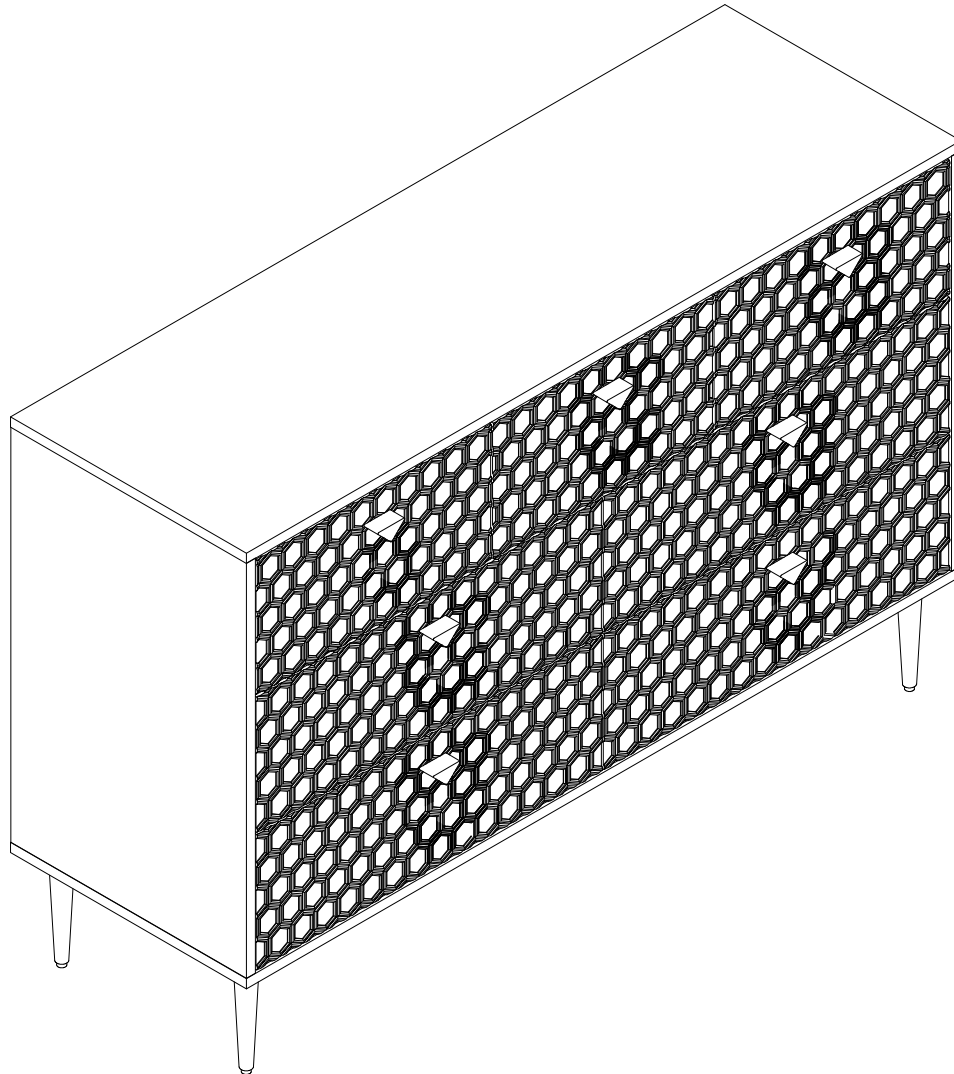


ASSEMBLY INSTRUCTIONS

1. Before installation, please read the Assembly Instruction carefully.
2. Please check whether the Parts and Hardware are consistent with the list.
3. It is normal for the sealed environment to smell, not a product quality problem.



Phone number:

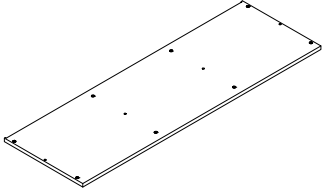
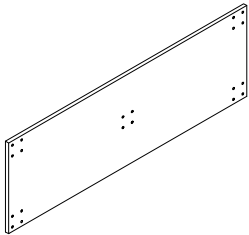
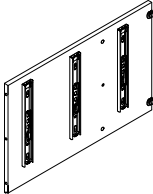
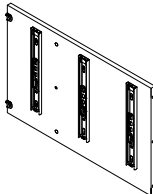
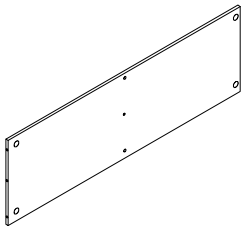

(909) 297-5794/ (323) 982-8955

service@boyelliving.com

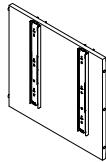
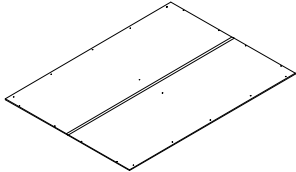
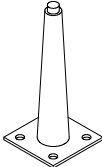
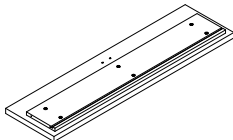
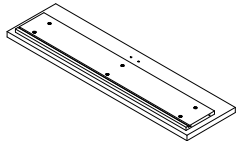
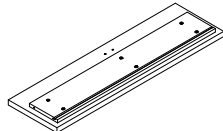
Web: www.boyelliving.com

ASSEMBLY INSTRUCTIONS

Part List:

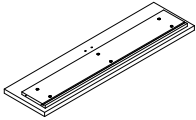
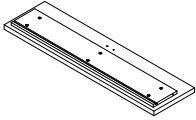
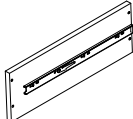
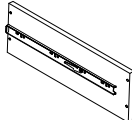
ITEM	DESCRIPTION	PART	QTY
1	Top panel		1
2	Bottom panel		1
3	Left side panel		1
4	Right side panel		1
5	Fixed shelf		1
6	Upper cross middle rail		2

Part List:

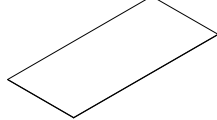

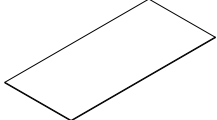

ITEM	DESCRIPTION	PART	QTY
7	Bottom cross middle rail		1
8	Back panel		1
9	Leg		5
10	Left upper drawer front		1
11	Right upper drawer front		1
12	Middle upper drawer front		1

ASSEMBLY INSTRUCTIONS








Part List:

ITEM	DESCRIPTION	PART	QTY
13	Left Bottom Drawer front		2
14	Right Bottom Drawer front		2
15	Drawer Left Side		7
16	Drawer Right Side		7


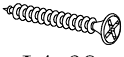

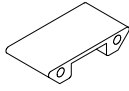


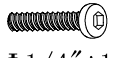
Part List:

ITEM	DESCRIPTION	PART	QTY
17	Side Upper Drawer bottom		3
18	Side Upper Drawer back		3
19	Bottom Drawer bottom		4
20	Bottom Drawer back		4

Hardware List:

ITEM	DESCRIPTION	PART	QTY
A	Wooden dowel	 Φ8*30mm	12
B	Short bolt	 Φ1/4"*1/2"	20
C	Cam Bolt		6
D	Cam Lock		6
E	Allen wrench		1
F	Round head screw	 Φ3*16mm	20
G	Safety wall strap		2

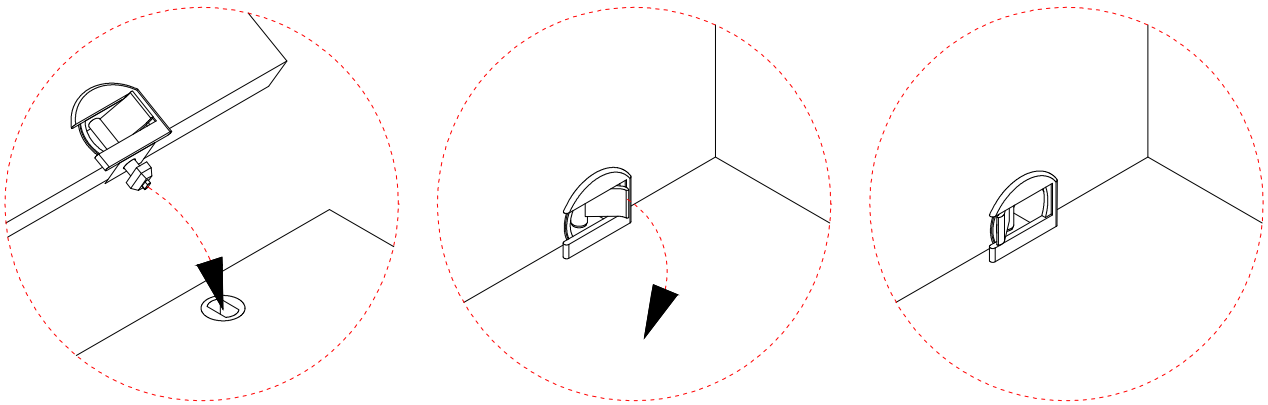
Hardware List:

ITEM	DESCRIPTION	PART	QTY
H	Plastic anchor		2
I	Mounting screw	 Φ4*38mm	2
J	Flat Head screw	 Φ4*30mm	56
K	Handle		7
L	Bolt	 Φ5/32"*1-1/8"	14
M	Washer		2
N	Long bolt	 Φ1/4"*1"	10

ASSEMBLY INSTRUCTION

- * Required screwdriver & mallet, not included.
- * Before discarding packing materials, please check to make sure that all parts and hardware is present.
- * Two people needed for assembly.
- * Please follow the instructions closely; do not over tighten screws or bolts unless instructed.
- * After a few days from initial assembly, the product may have acclimated to the new environment. Please retighten the hardware.

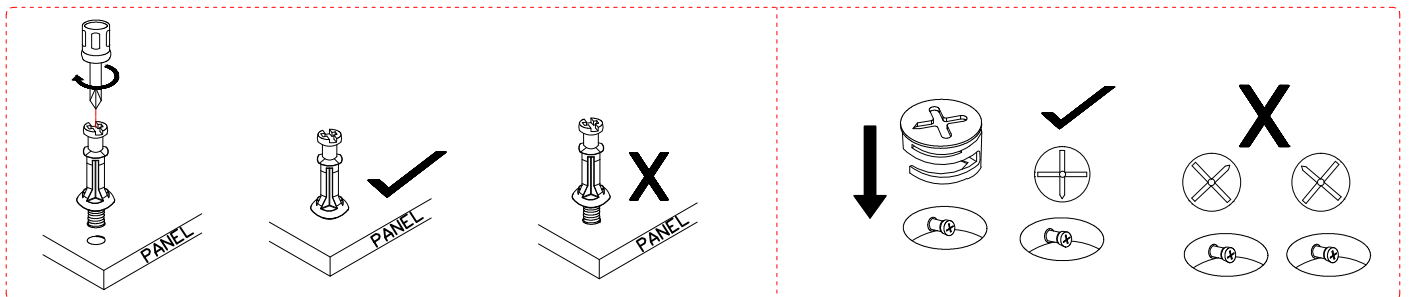
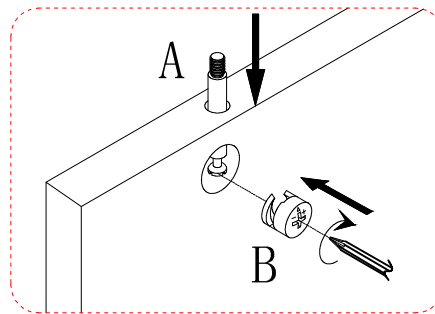
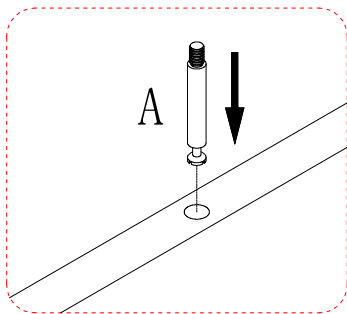
Guideline For Assembling of Plastic Lock



Screw camlock bolt (A) to wood part.

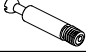
Do not assemble camlock (B) unless instructed.

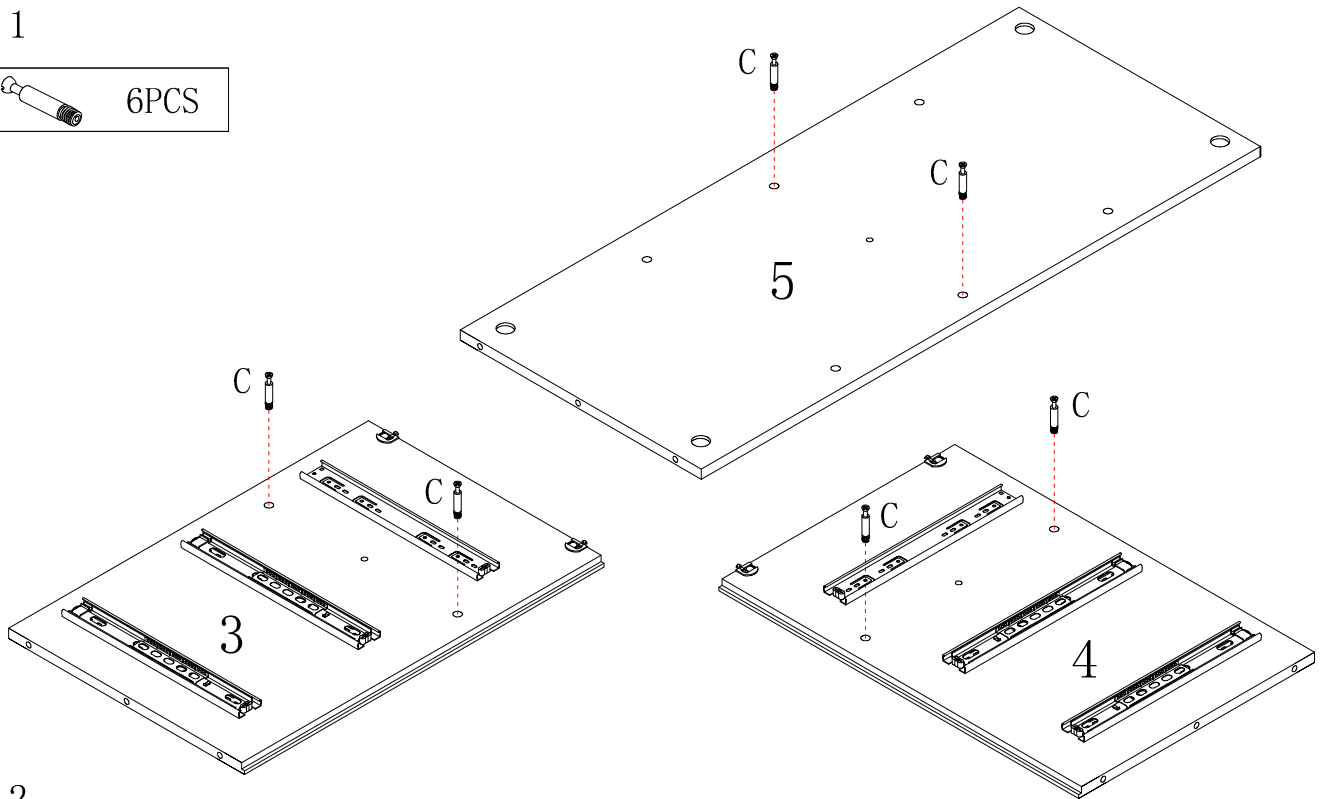
To assemble camlock (B), ensure long side of the + is facing the bolt (A) before inserting into hole.





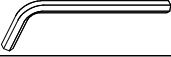

ASSEMBLY INSTRUCTION

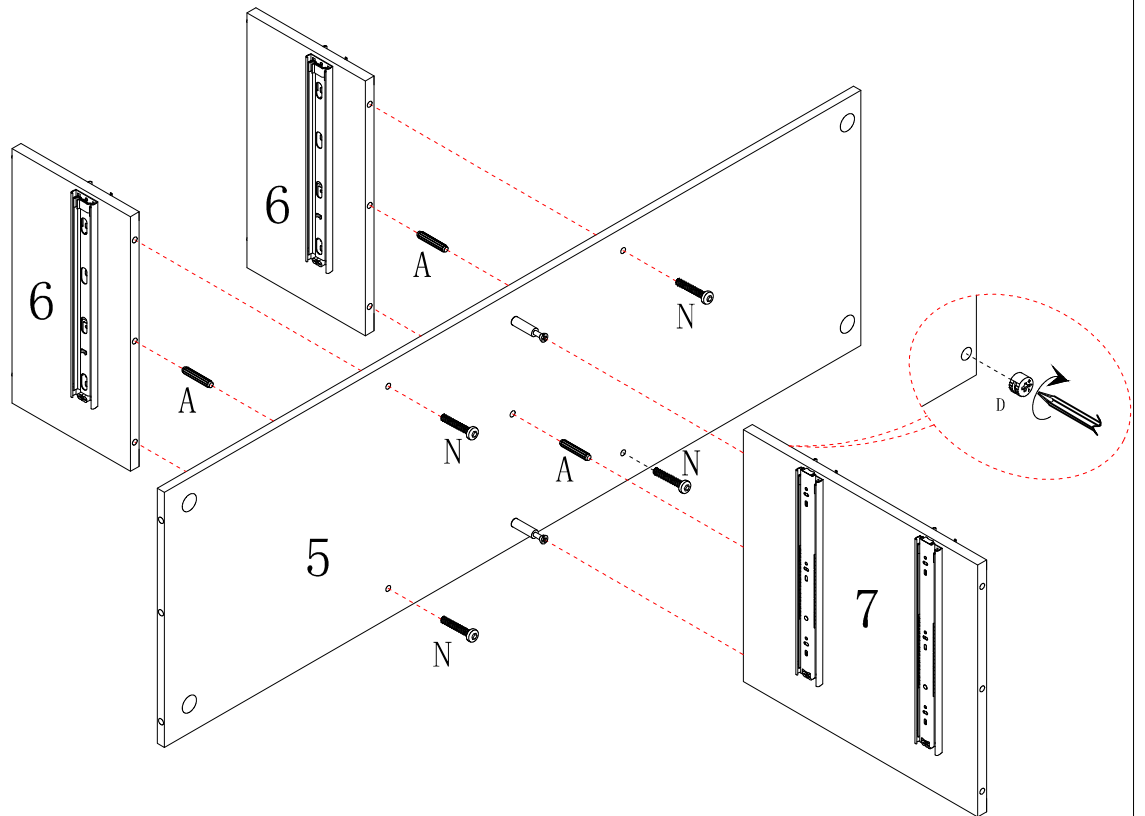
STEP 1

C:  6PCS

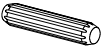



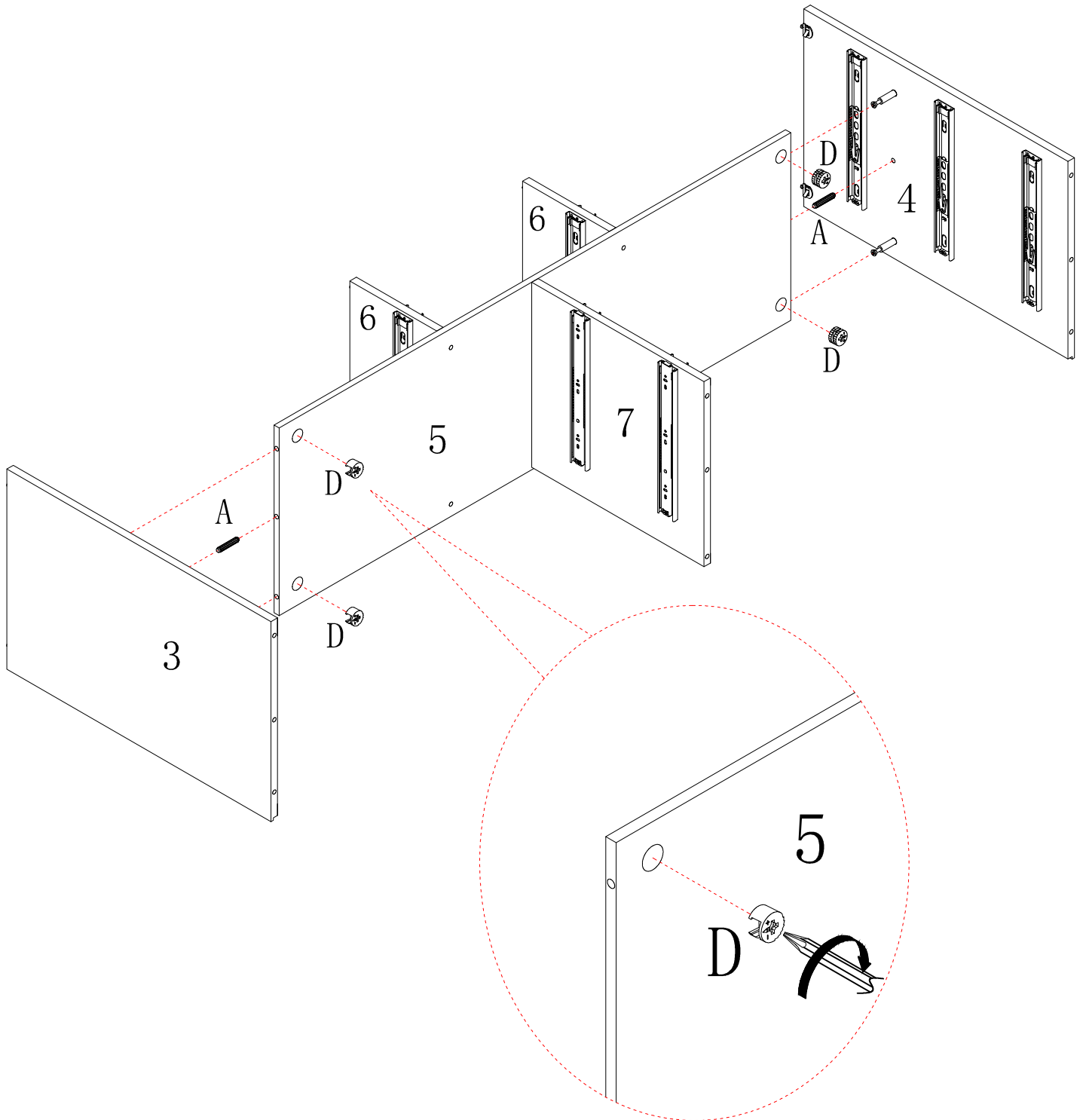
STEP 2

A:  3PCS
 D:  2PCS
 E:  1PC
 N:  4PCS



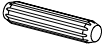


STEP 2

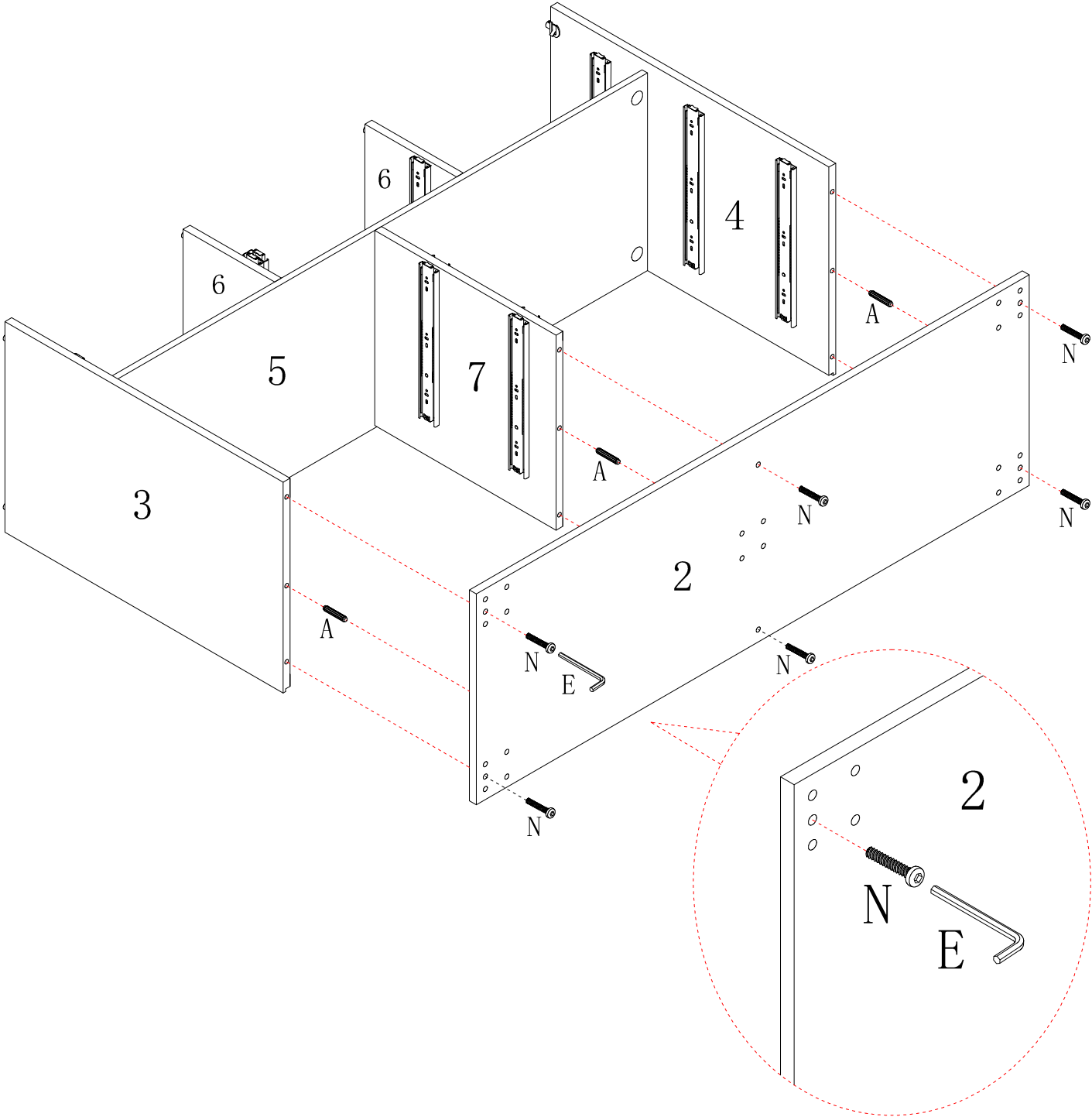
A:		2PCS
D:		4PCS



ASSEMBLY INSTRUCTION



STEP 3

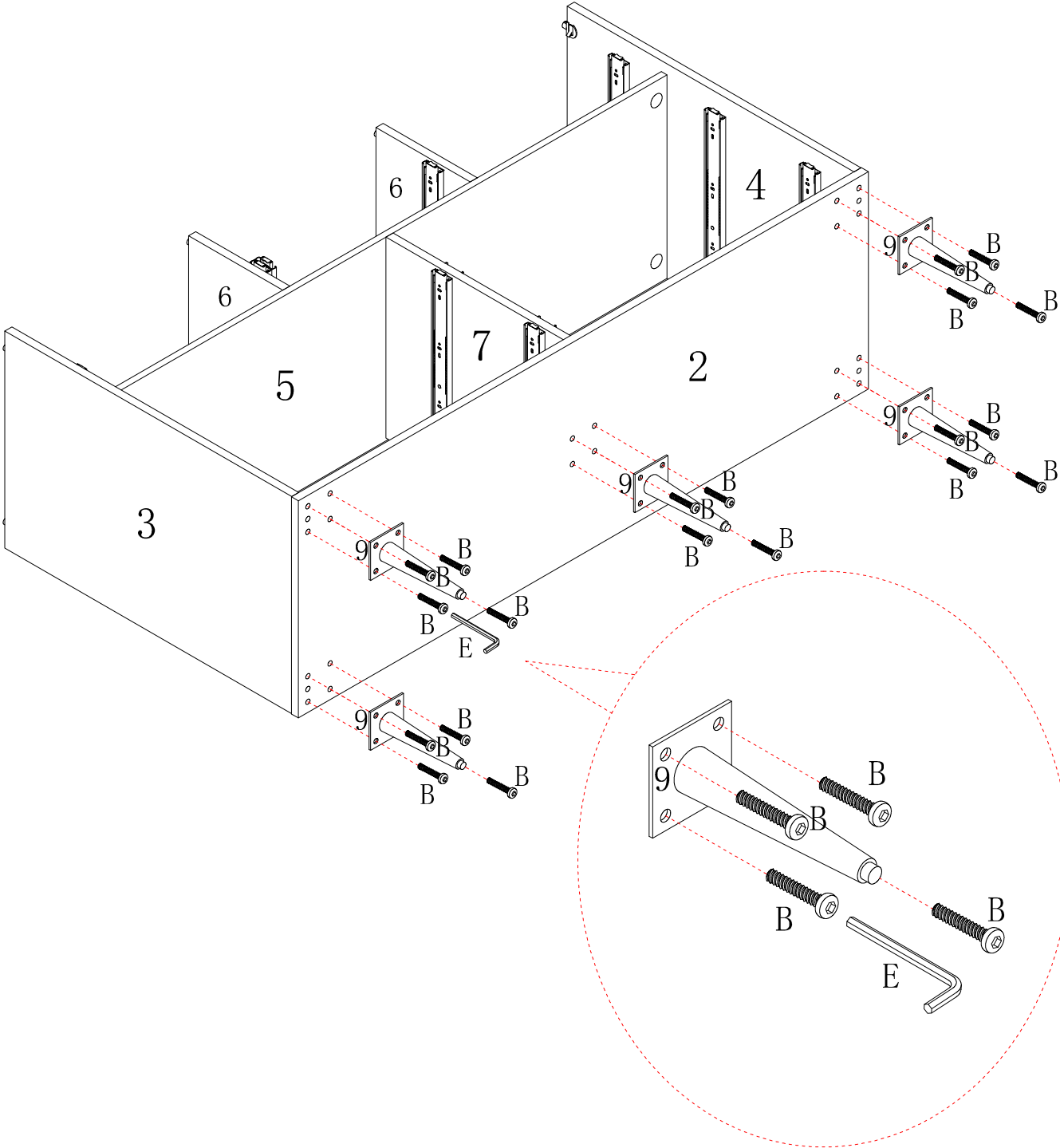
A:		3PCS
N:		6PCS
E:		1PC



ASSEMBLY INSTRUCTION

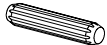
STEP 4

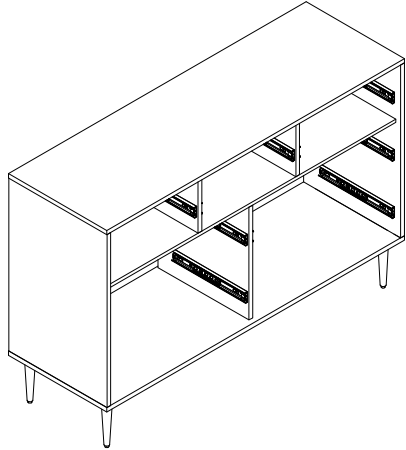
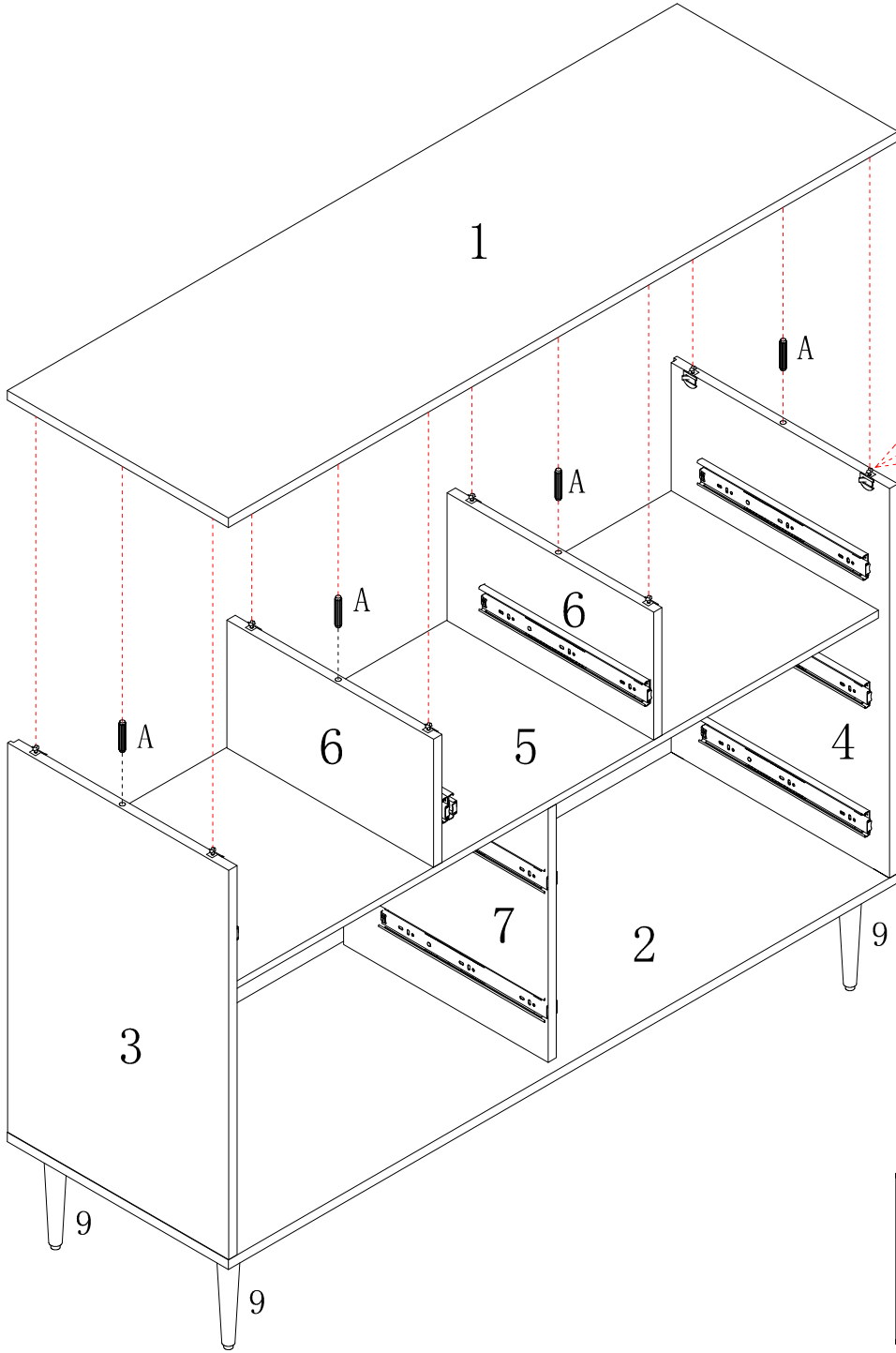
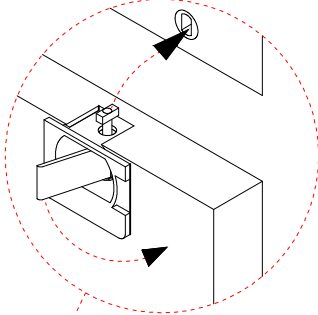
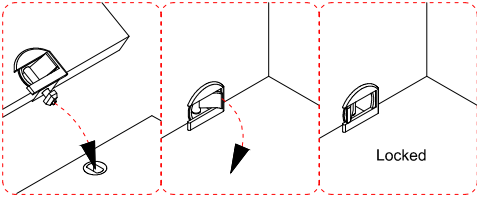
- B:  20PCS
- E:  1PC



ASSEMBLY INSTRUCTION



STEP 5

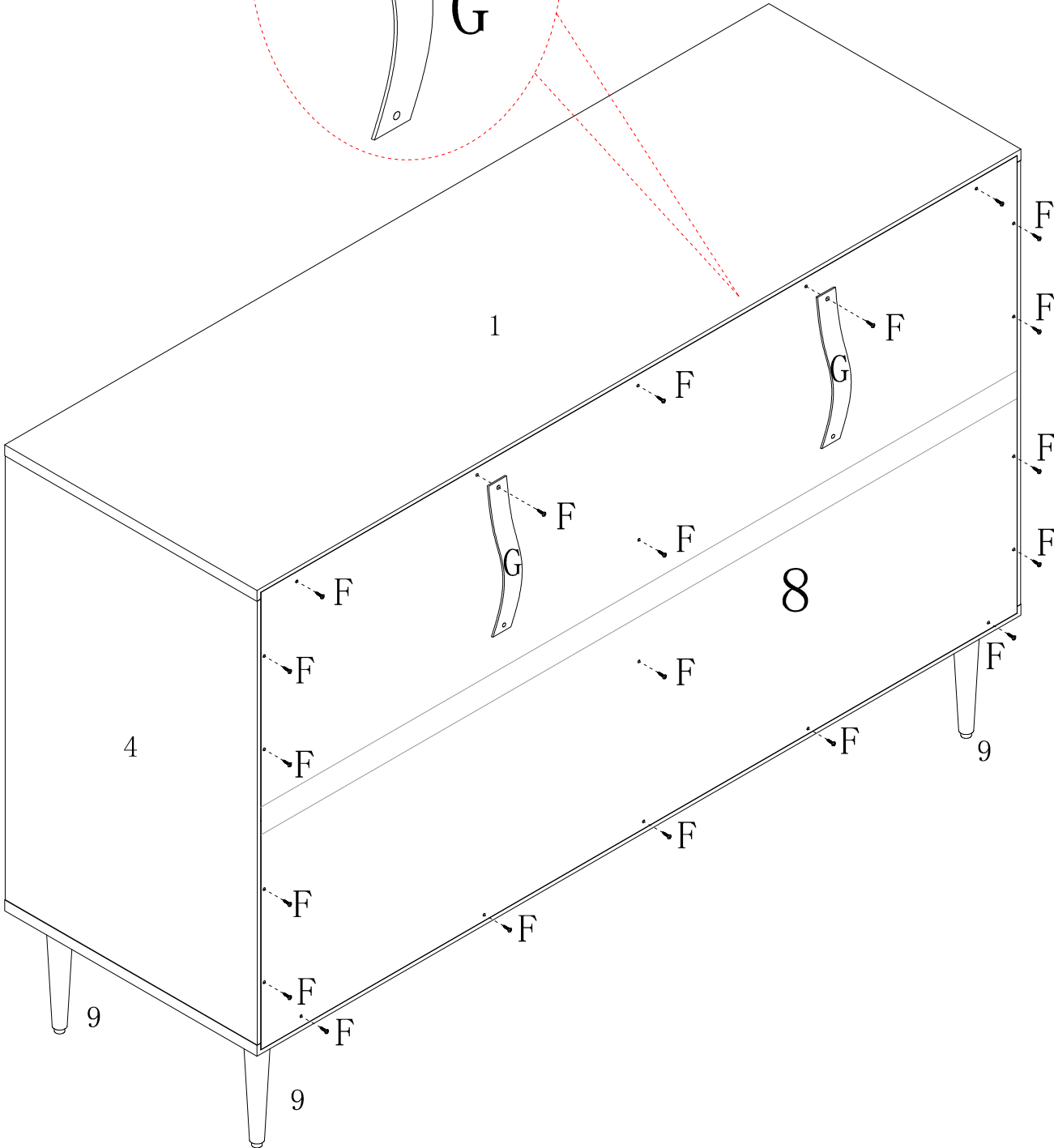
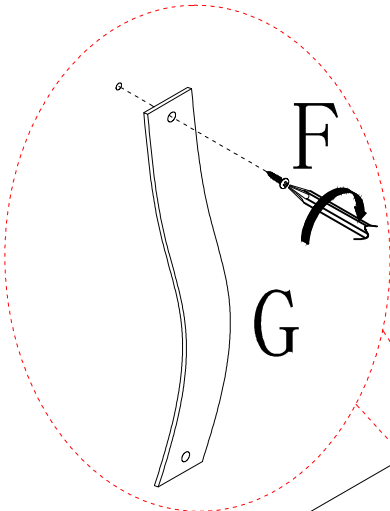
A:  4PCS



ASSEMBLY INSTRUCTION


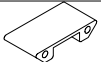
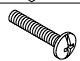
STEP 6

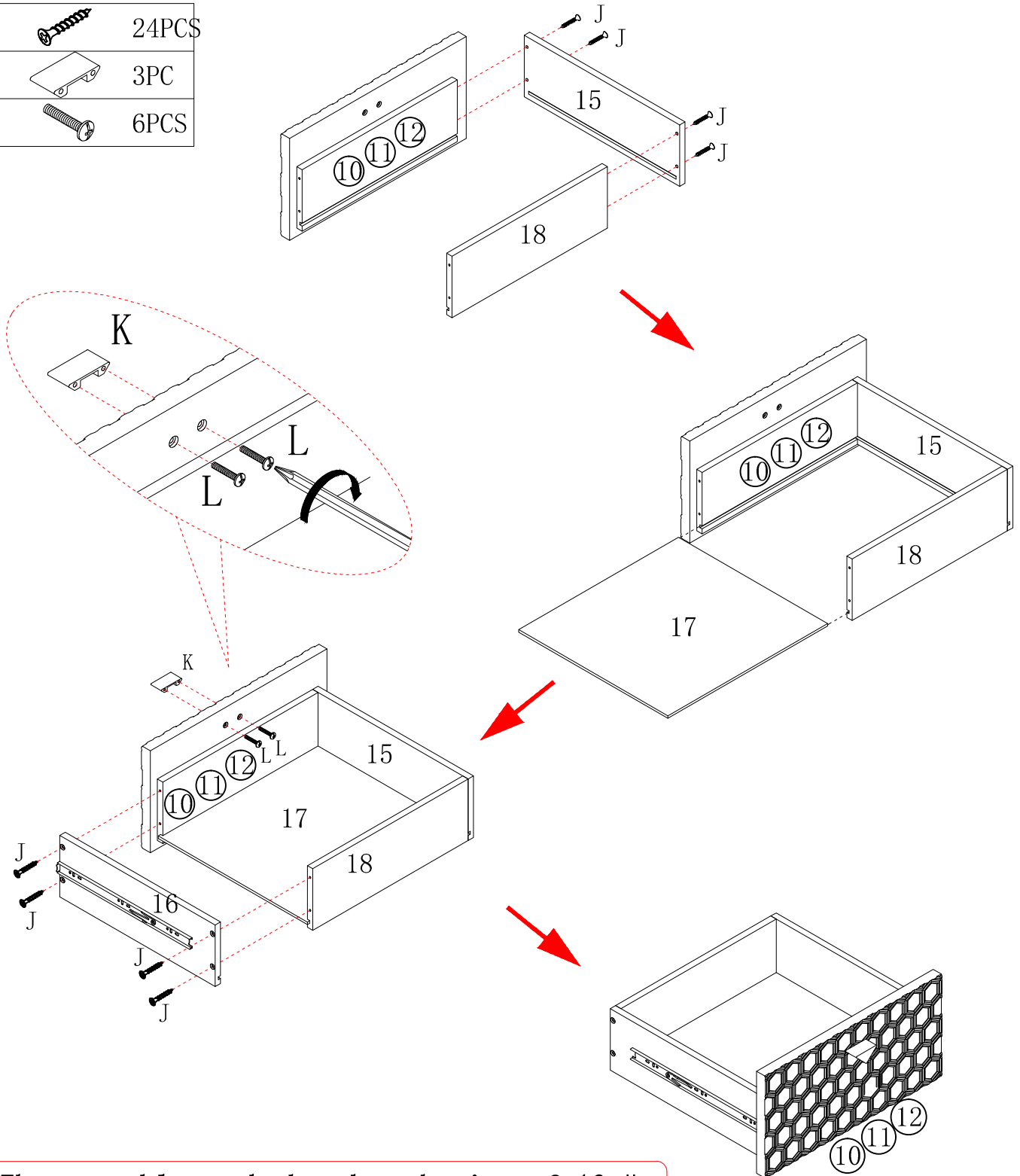
F:		20PCS
G:		2PCS



ASSEMBLY INSTRUCTION



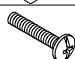
STEP 7

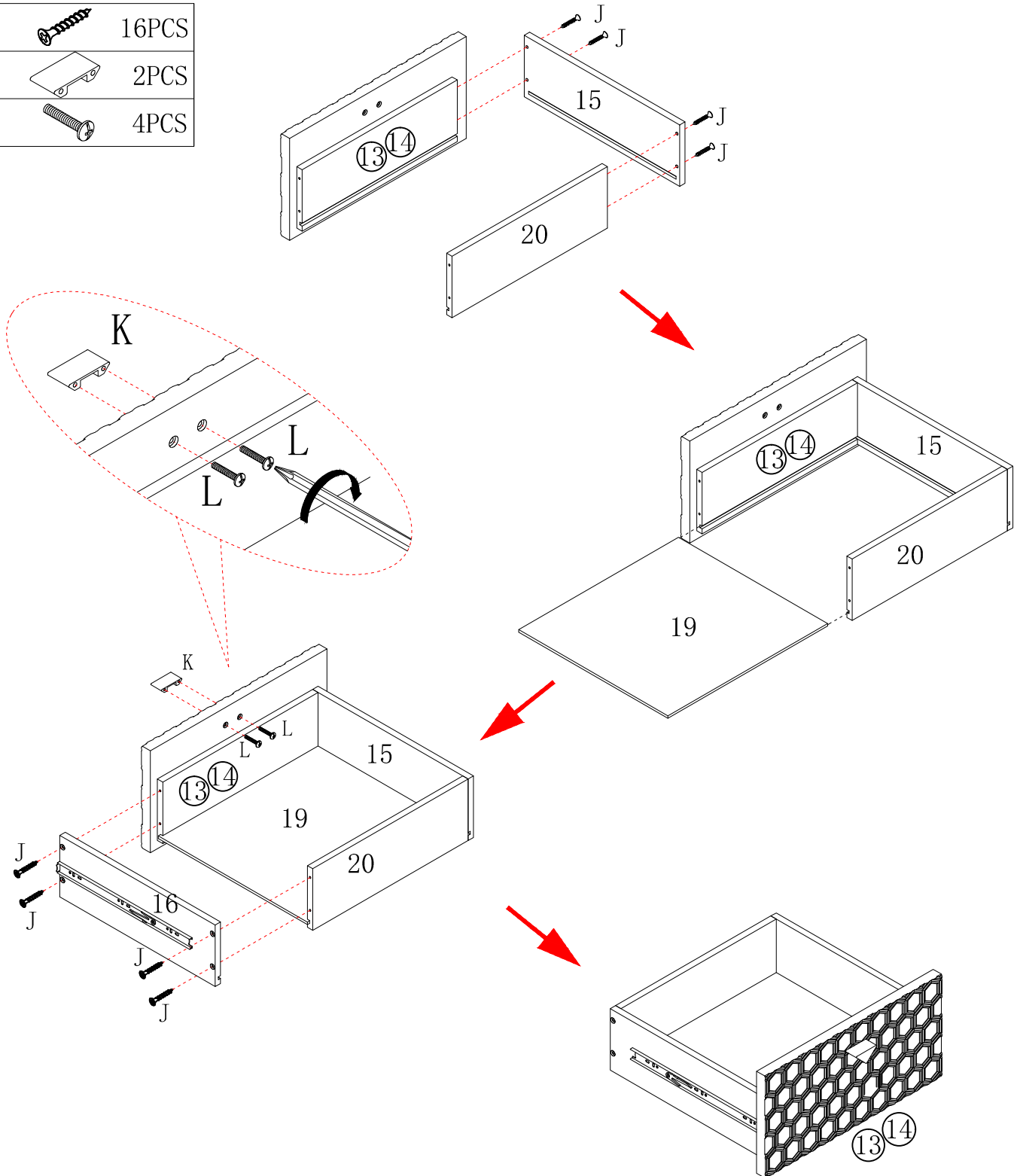
J:		24PCS
K:		3PC
L:		6PCS



The assembly method and numbering of 10 #, 11 #, and 12 # drawers are the same

STEP 8

J:		16PCS
K:		2PCS
L:		4PCS

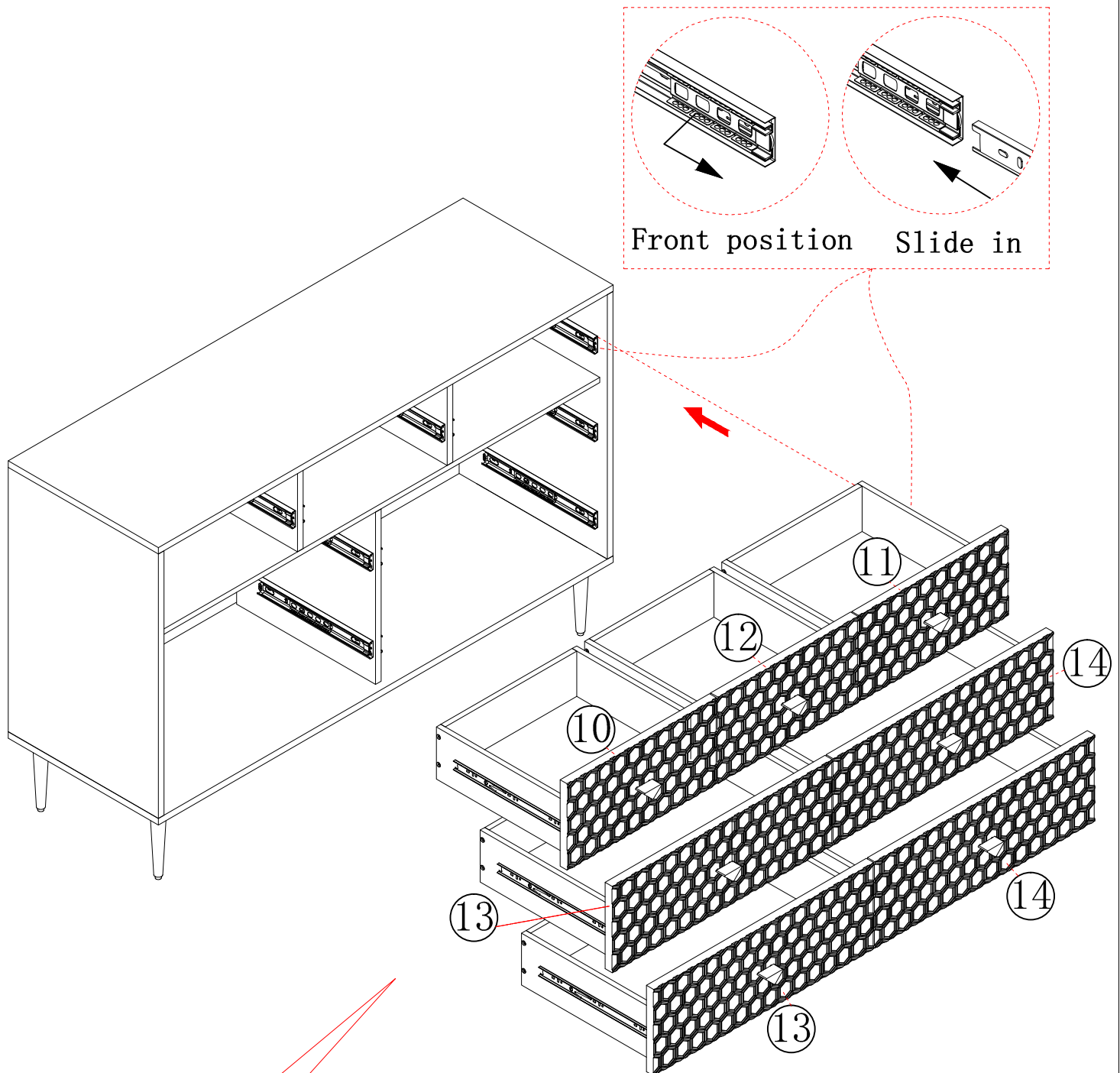


The assembly method and number of drawer
13 # and 14 # are the same

ASSEMBLY INSTRUCTION

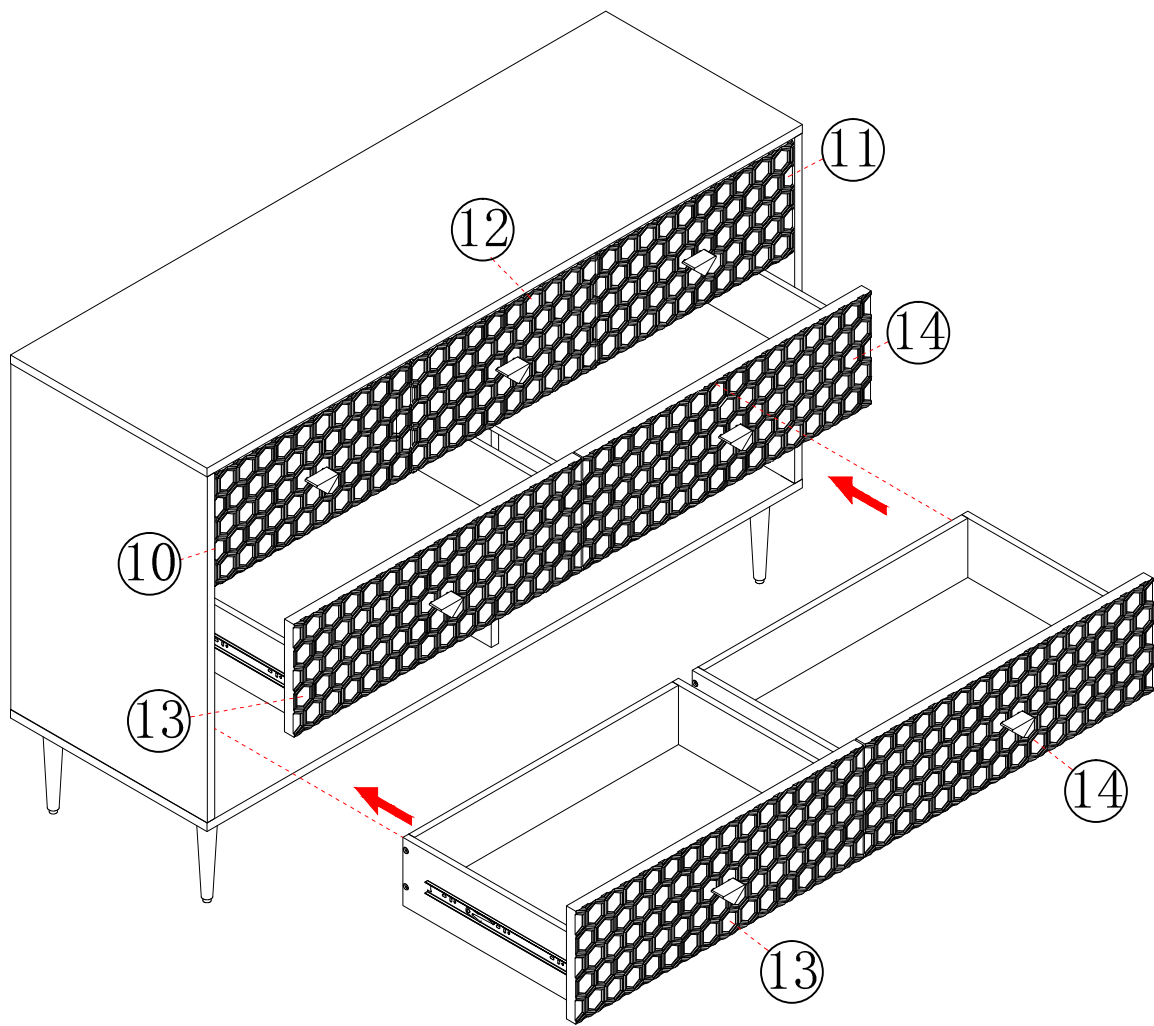
STEP 9

Note: Place the slidable part to the front position before sliding in

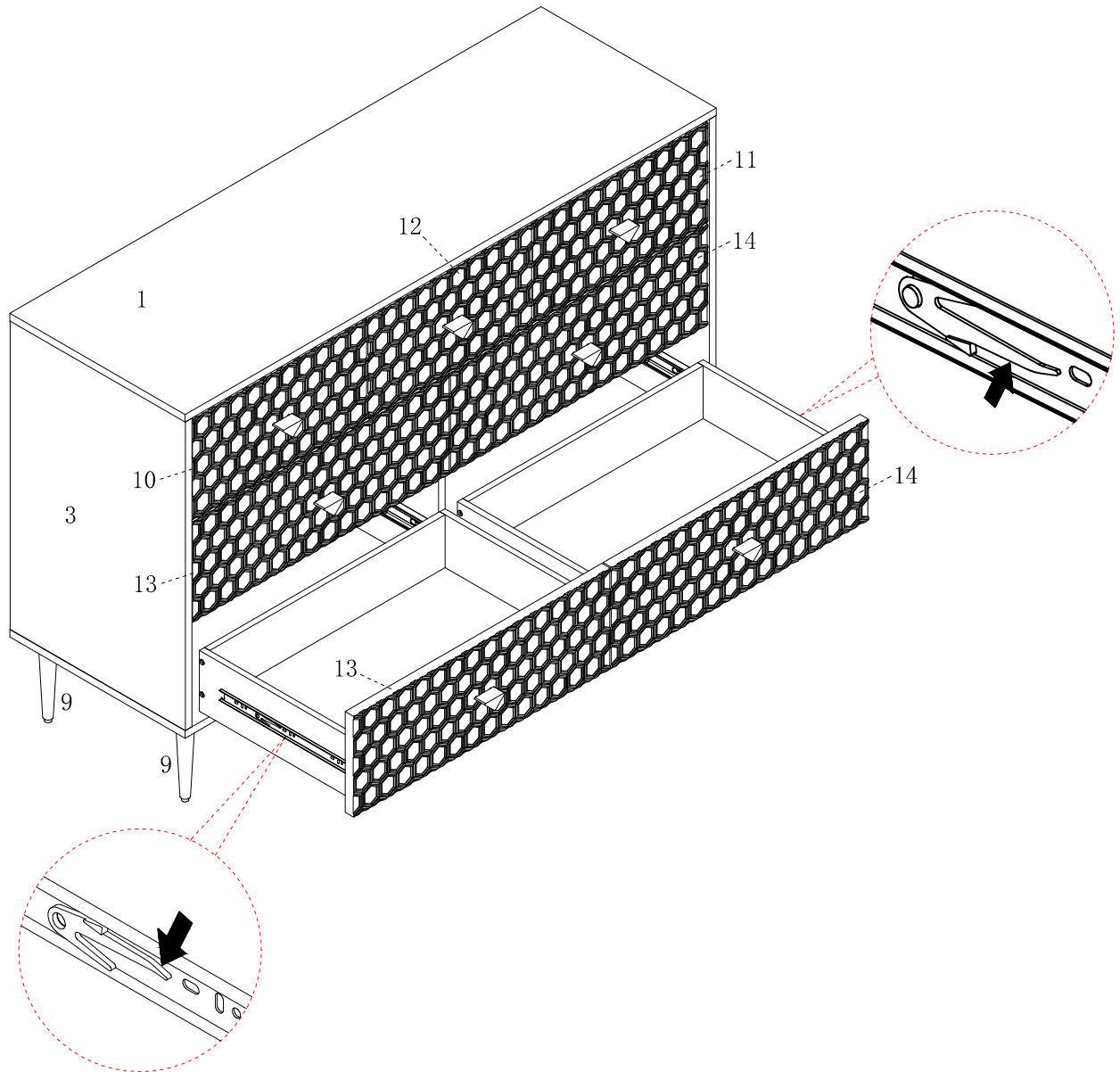


Reminder: If the front and both ends of the drawer are tilted, do not use force. You can refer to the above steps to smoothly insert the slide rail. Please install the drawers in the numbered order shown in the diagram and do not misplace them!

STEP 10






STEP 11



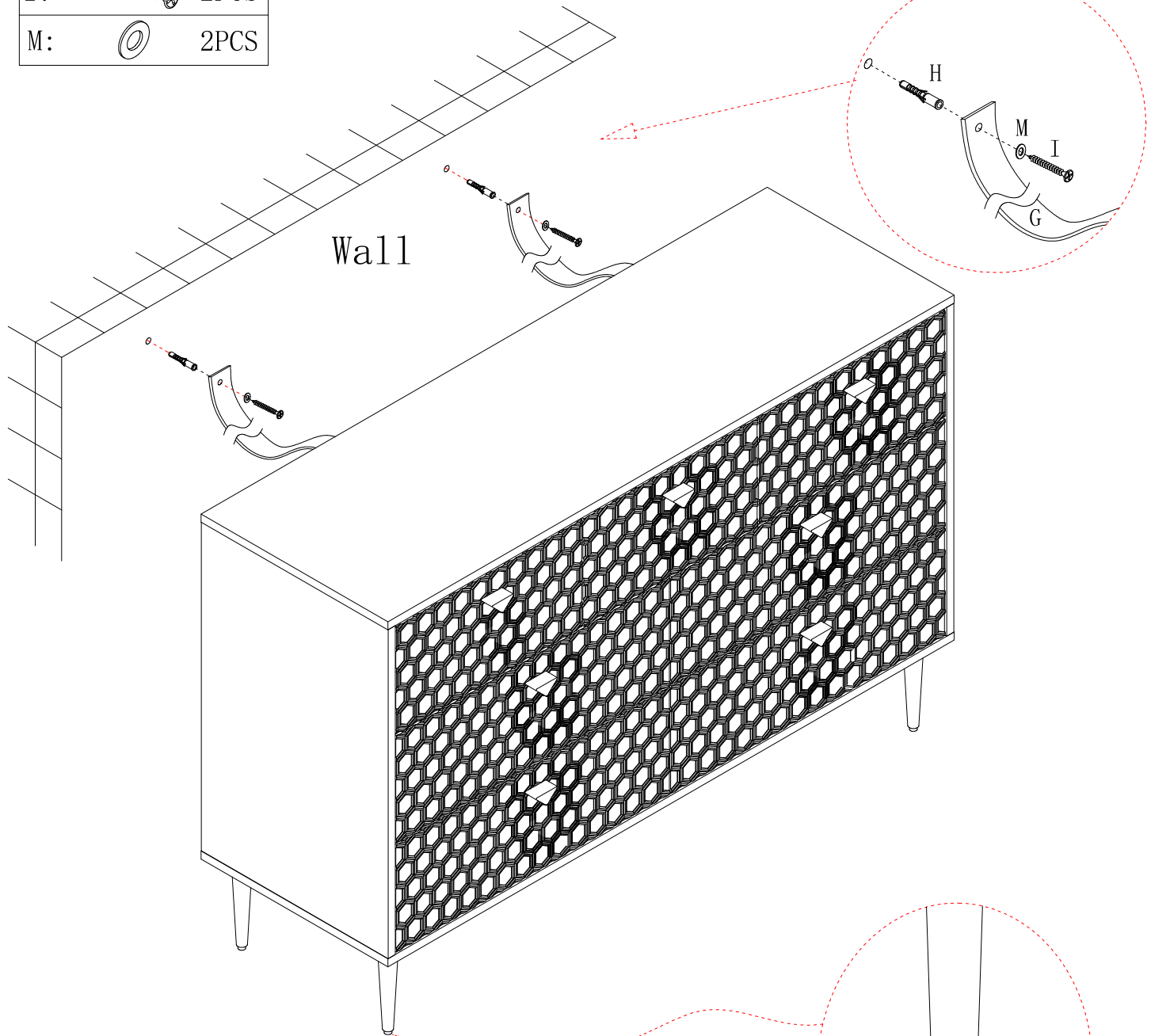
To remove the drawer. lift up on the left side buckle and press down on the right side buckle, operating both left and right at the same time, and move outward to remove it.

ASSEMBLY INSTRUCTION

STEP 12

H:		2PCS
I:		2PCS
M:		2PCS

For safety reasons,
it is recommended to install
safety wall strap to fix the item.



After installation, adjust the
adjustable foot to keep the cabinet
balanced and align the door.

