

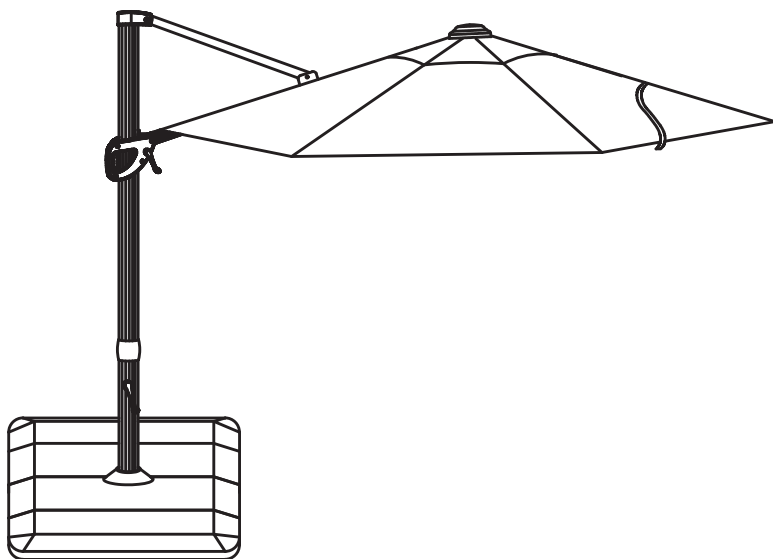
# 11' Round Offset Umbrella with Resin Base

## Assembly & Care Instructions



SKU#: CA-11RD  
CA-11BG  
CA-11BL  
CA-11GY

**IMPORTANT : RETAIN FOR FUTURE REFERENCE  
READ CAREFULLY**



The schematics in this manual are for assembly and operation illustration only.  
They may differ from the actual appearance.

Professional Service Team: [service@casainc.com](mailto:service@casainc.com) 888-257-3857

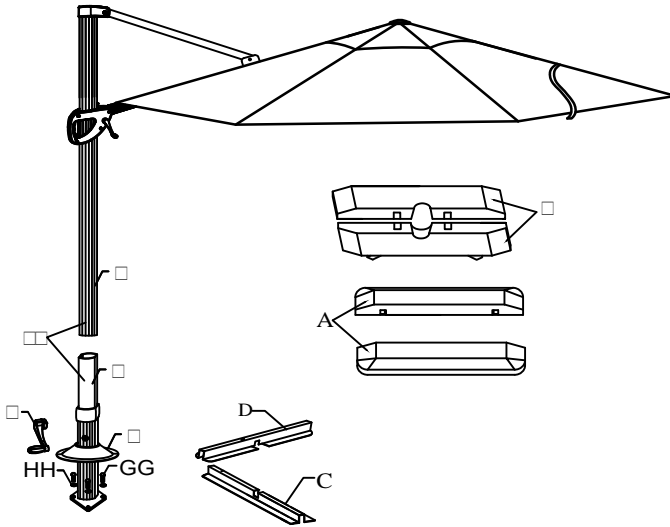
If need any other assistance, Please feel free to contact us.

We are always here at your service.

# Contents

Package Contents . . . . .	2
Preparation . . . . .	3
Hardware Contents . . . . .	3
Assembly . . . . .	4-5
Operation . . . . .	6-7
Care and Maintenance . . . . .	8

## Package Contents



Part	Description	Quantity
A	Blow Molded Base Outside (with cap (M))	2
B	Blow Molded Base Inside (with cap (M))	2
C	Lower Cross Leg	1
D	Upper Cross Leg	1
F	Holder Pole (with handle E and support cup L)	1
CAN	Canopy (on the Umbrella Frame)	1
N	Umbrella Frame (with canopy)	1

## Preparation

---

**CAUTION:** Do not use sharp tools to remove the protective material, as it may damage the product.

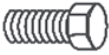
Before assembling make sure all parts are present. Compare parts with package contents list and hardware contents list. If any part is missing or damaged, do not attempt to assemble the product.

Tools required for Assembly: Wrench and Phillips-head screwdriver (not included)

## Hardware Contents

---

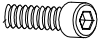
GG



HH



JJ



KK



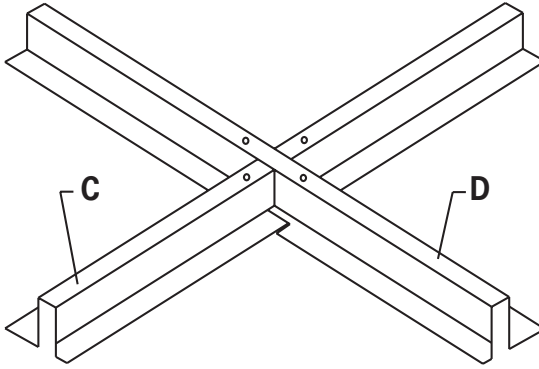
PP



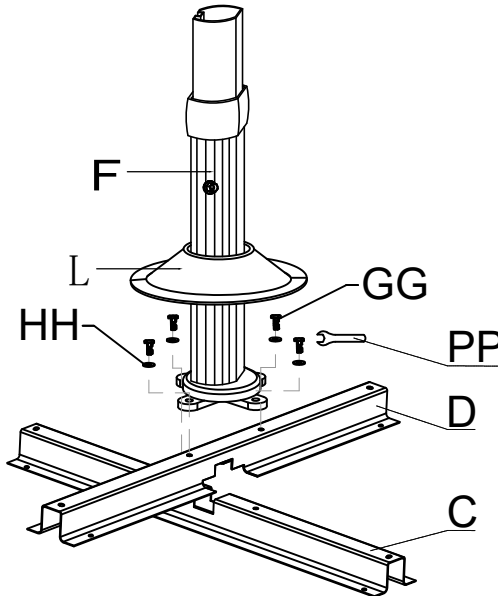
Part	Description	Quantity
GG	Hex Bolt (M10 - 1.5x20)	4
HH	Washer (M10)	4
JJ	Hex Bolt (M8)	2
KK	Hexagon Wrench M8	1
PP	Outer Hexagon Wrench M10	1

# Assembly

---

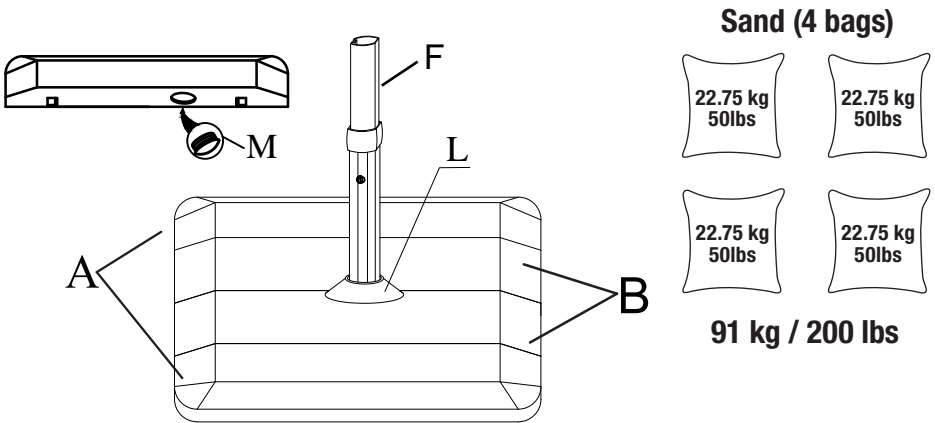


**Step 1:** Place Lower Cross Leg (C) on the ground, line up notches and place Upper Cross Leg (D) over the Lower Cross Leg (C)

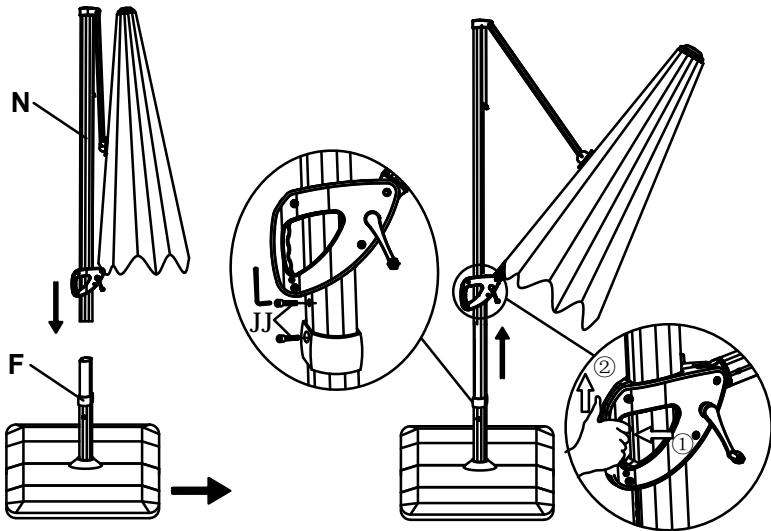


**Step 2:** Attach the Holder Pole (F) to the base by using the Bolts (GG) and Washers (HH), hand tighten only. Adjust the Holder Pole (F) to be sure it is positioned correctly on the base and finally tighten all bolts. Be careful not to over tighten.

## Assembly (continued)



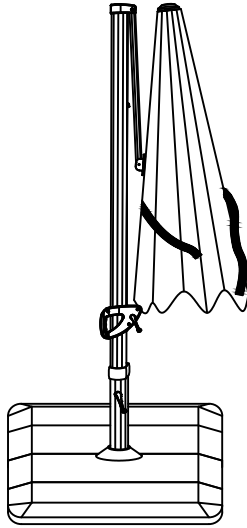
**Step 3:** Place Blow Molded Base (A & B) on the cross bar assembly and fill with sand and water, cover with caps (M). Place Pole Support Cup (L) onto Holder Pole (F) and lay on top of Blow Molded Base (B).



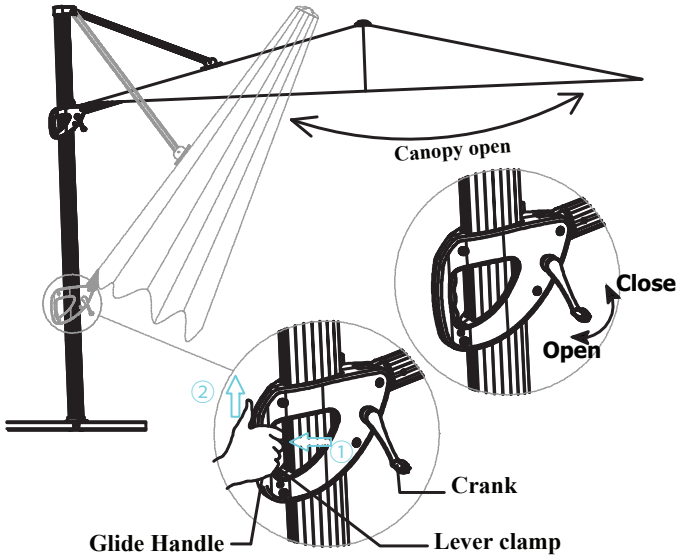
**Step 4:** Insert Umbrella Frame with Canopy (N) into the Holder Pole (F). Slide the holder pole collar onto the holder pole at the same time. Tighten the two Hex Bolts (JJ) into the holder pole to secure the umbrella.

# Operation

---



**Step 1:** Unfasten the storage straps around the canopy



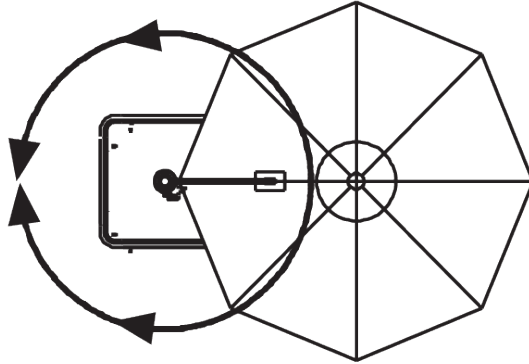
**Step 2:** To open the umbrella, squeeze the Glide Handle and grip together and slide up or down the pole to achieve the desired tilting angle. Release the grip to lock into place. To open the canopy, turn the crank handle clockwise until the canopy is fully open.

## Operation (Continued)

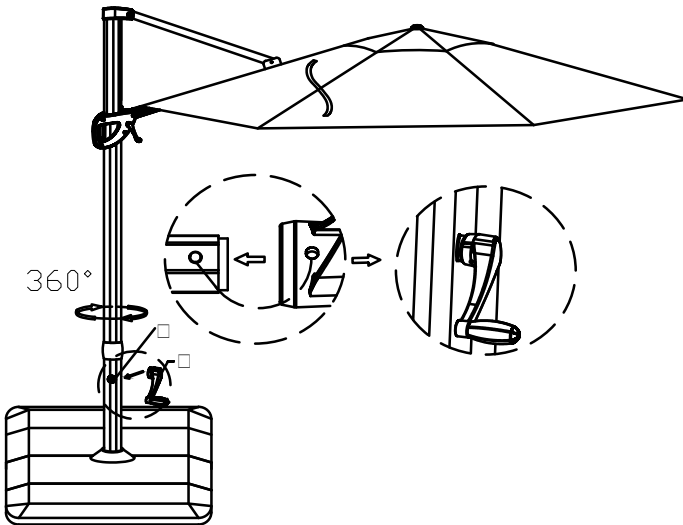
---

Canopy position  
adjusting

Rotates  
360°



**Step 3:** The multiple position canopy can rotate 360° around the axis of the main pole to offer the shade on your expected area around the umbrella.



**Step 4:** To rotate umbrella, insert the crank handle (E) into holder pole (F) and turn to desired position.

## Care and Maintenance

---

- Simply clean the umbrella canopy with a soft brush and mild detergent.
- Do not machine wash.
- Do not iron.
- Air dry the canopy thoroughly before storing for extended periods of time.
- Make sure the canopy is completely open during drying process to prevent shrinkage.

## Warnings and Cautions

---



**DANGER:** Keep children out of the assembly area during assembly.



**WARNING:** Do not use the umbrella during periods of high winds and rain as this may result in personal injury and/or damage.



**WARNING:** Be sure to secure and/or weight the base of the umbrella.



**WARNING:** Always take the umbrella down when not in use.



**WARNING:** To prevent damage to the canopy, open the umbrella facing the opposite direction that the wind is blowing.

**IMPORTANT:** If the crank becomes too hard to crank, check to see if the rope has come off the pulley. If you continue to turn the crank, the rope or crank handle could break.

**IMPORTANT:** Placement of the umbrella over or near a swimming pool can cause premature fading of the canopy. This is not covered under our warranty.