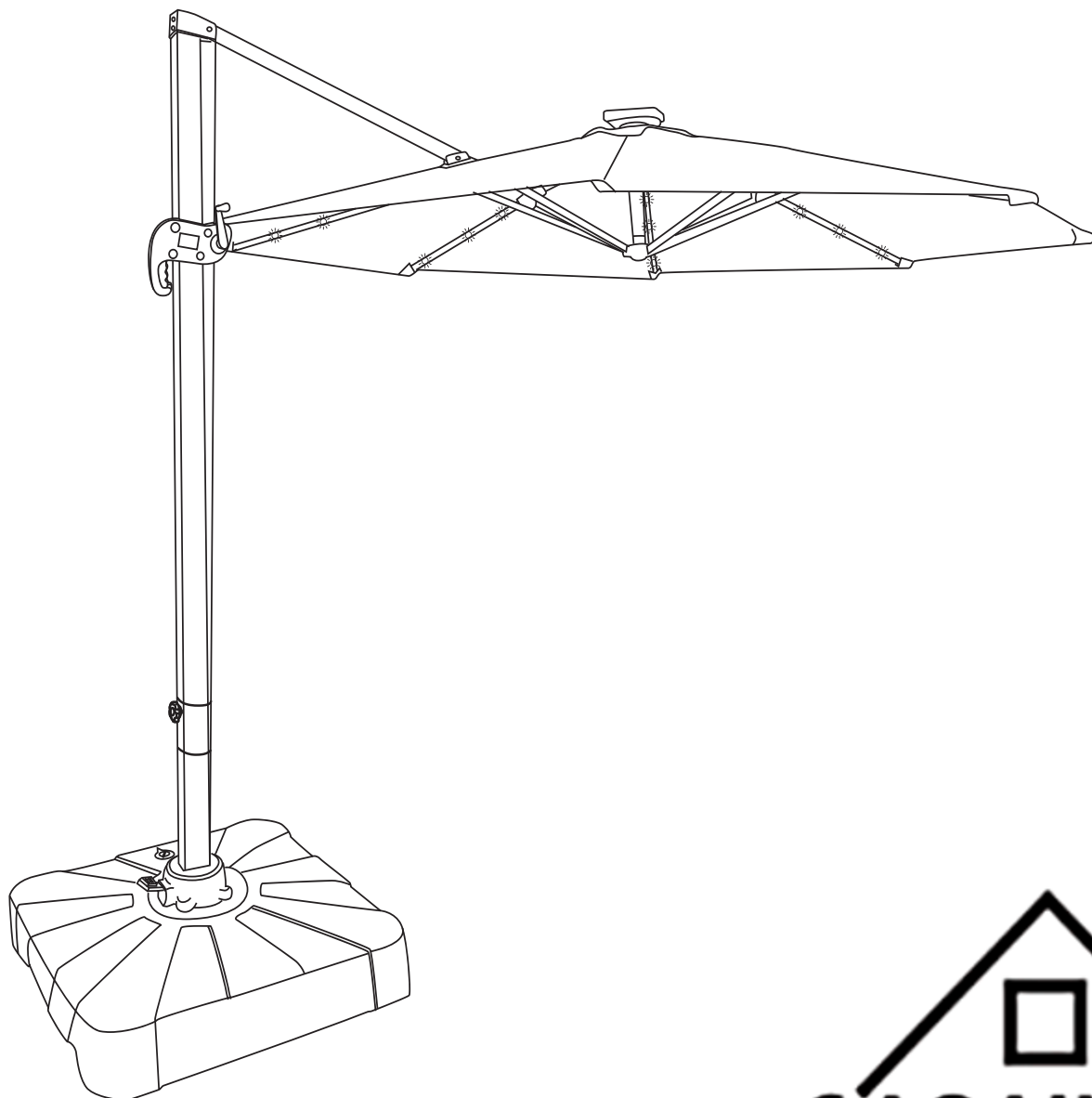

11 FT Aluminum Offset Umbrella With Solar LED Lights

CA350RDLED; CA350BGLED; CA350BLLED; CA350GYLED



Professional Service Team: service@casainc.com
If need any other assistance, Please feel free to
contact us. we are always here at your service:)

888-257-3857

User Manual

General Guidelines

- Please read the following instructions carefully and use the product accordingly.
- Please keep this manual and hand it over when you transfer the product.
- This summary may not include every detail of all variations and considered steps. Please contact us when further information and help are needed.

Notes

- Personal injury and/or damage to the product may occur if products are used outside of their intended purposes and/or if products have been changed/modified from their original design. The product must be assembled and used in accordance with the provisions of the manual. The seller does not assume any responsibility or liability with respect to any damage caused by incorrect assembly or improper use.
- Carefully check accessories when opening the package. If anything is missing or damaged, please contact us immediately.
- Do not use the parasol without an umbrella stand.
- This parasol is only used for shading and decoration purposes.
- Store the parasol in a dry, sheltered place, such as a garage or basement during high winds, rainy days, and the off-season.
- Never force your parasol open. Umbrella mechanics should open gently and easily.
- Do not use sharp tools or equipment such as a knife or scissors when removing the protective material, as it may damage the product.
- After receiving the product, connect the LED light plug to the solar panel before using it.
- Put the solar parasol in direct sunlight to charge the batteries for 8 hours before the first use.


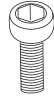
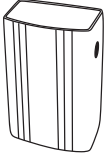





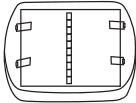

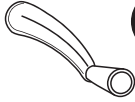
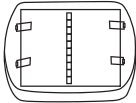

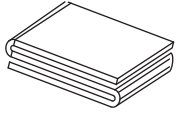

Warnings

- Keep children away when assembling the product. Small parts are included in the package; they may be fatal if swallowed or inhaled.
- To avoid the potential dangers of suffocation, please keep all parts and packaging (film, plastic bags, foam, etc.) away from babies and children.
- Keep the parasol away from fire; do not use it during extreme cold and heat, and severe weather like rainy, windy, snowy days, and hailstorms, etc.
- When the battery needs to be replaced, please use a battery of the same specifications and capacity.
- Do not throw the battery into fire or heat.
- The battery should be recycled or treated according to state or local requirements.

Daily Maintenance

- Clean the canopy with a soft cloth moistened with a neutral detergent. Store it after completely drying, which will help reduce the growth of mold.
- Do not machine wash, do not dry.
- Do not iron.

PACKAGE CONTENTS

A – (1) Main Umbrella			
B – (1) Plastic Water Fillable Stand			
C – (1) Swivel Mechanism			
D – (1) Base Pole			
E – (1) Swivel Cover			
F – (1) Allen Wrench			
G2 – (8) Stainless Bolt (M8 x0.63IN)			
H – (8) Washer			
I - (1) Threaded Knob			
J - (1) Crank Handle			
K - (1) Umbrella Cover			
L - (1) Connector			
M - (1) Lower Pole			
N - (1) Solar Panel			

SAFETY INFORMATION

Please read and understand this entire manual before attempting to assemble or install the product.

- Assemble on level ground.
- Keep children away from assembly area.
- Two adults are required for safe assembly.
- The stand is quite heavy (220lbs) after being filled with water, special attention is necessary for your safety.
- In case you want to move the umbrella to a new place, please close the umbrella and release the water out of the stand first.

PREPARATION

Before beginning assembly of product, make sure all parts are present. Compare parts with package contents list. If any part is missing or damaged, do not attempt to assemble the product.

Estimated Assembly Time: 30 Minutes

CARE AND MAINTENANCE

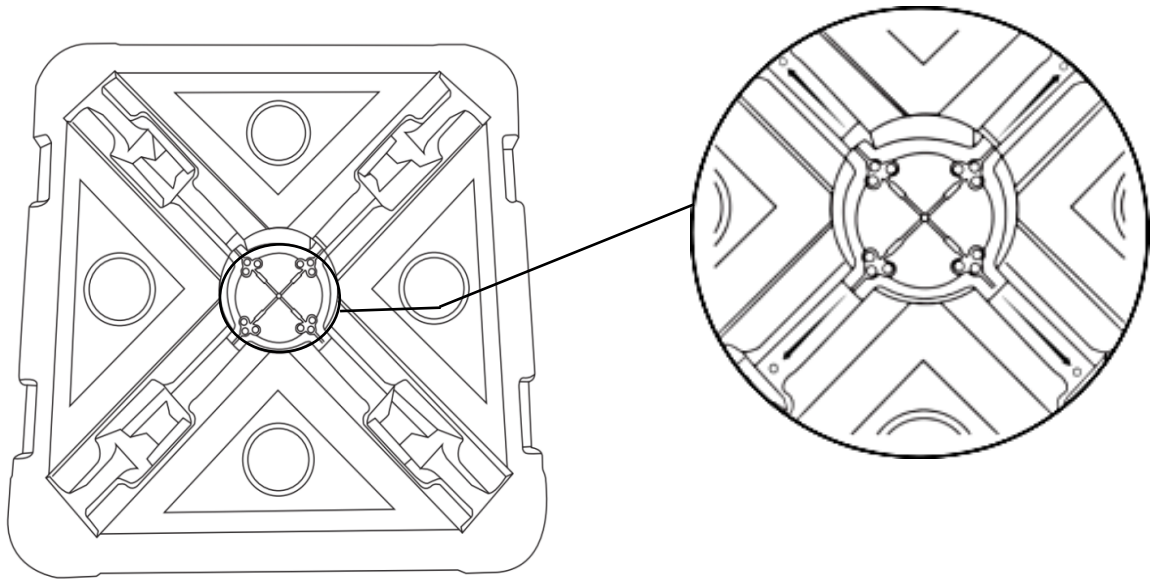
Clean with mild soap and lukewarm water, rinse and air dry.

When not in use, close and cover the umbrella with a protective cover (included).

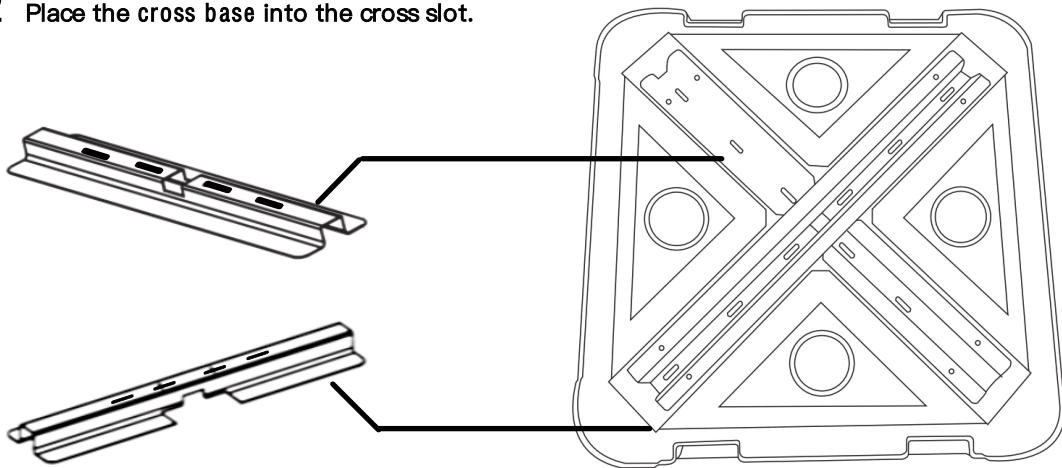
The umbrella must be closed in windy weather to avoid any damages.

Store the product indoors in a cool and dry place.

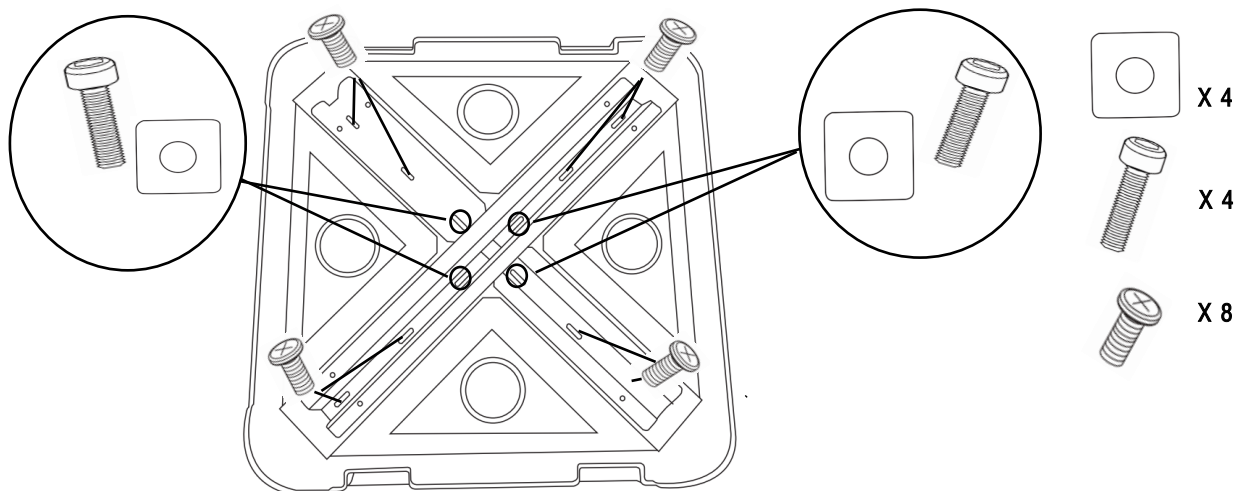
Step1 Ensure that the center circle 4 screws hole alignment, so that the subsequent cross base assembly.



Step2 Place the cross base into the cross slot.



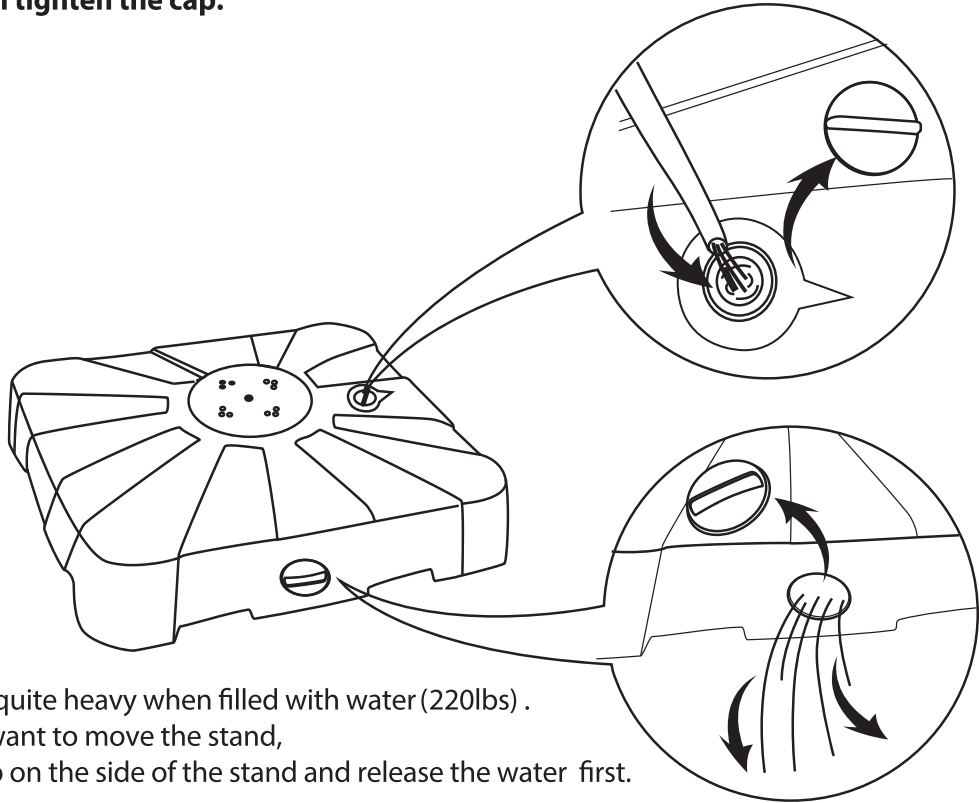
Step3 Fix the middle 4 long screws with spacers, then fix the other 8 short screws.



ASSEMBLY INSTRUCTIONS

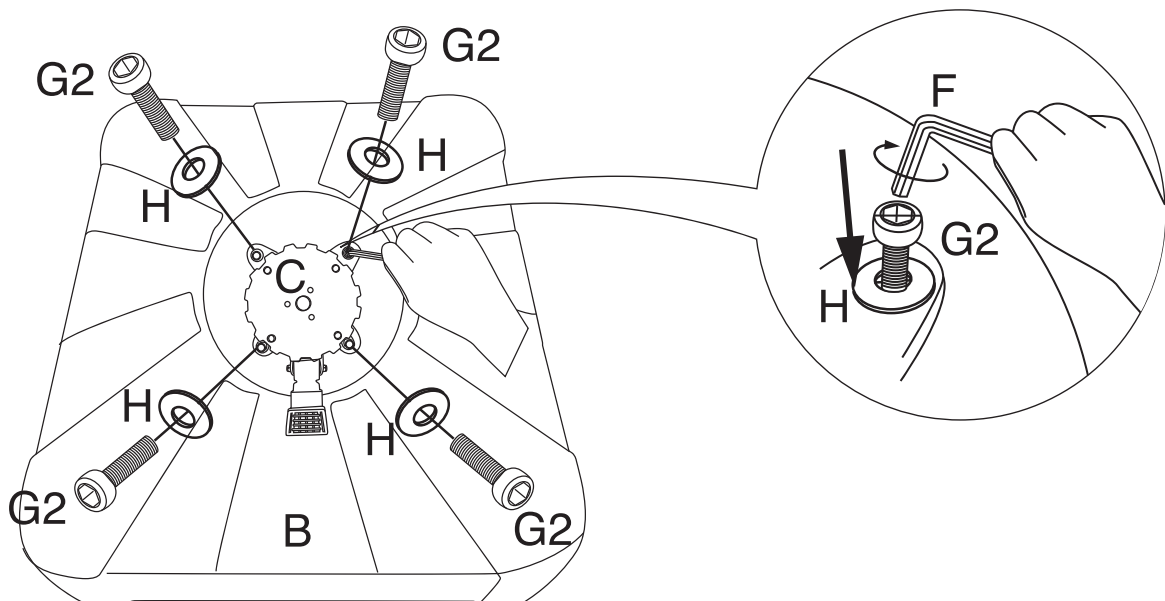
Carefully check all packaging materials before discarding.
Do not assemble if there are missing pieces.

Step 1 Place the stand (part B) on a level ground where you intend to locate your umbrella.
Open the cap on the top of the stand and fill the stand with water .
Then tighten the cap.

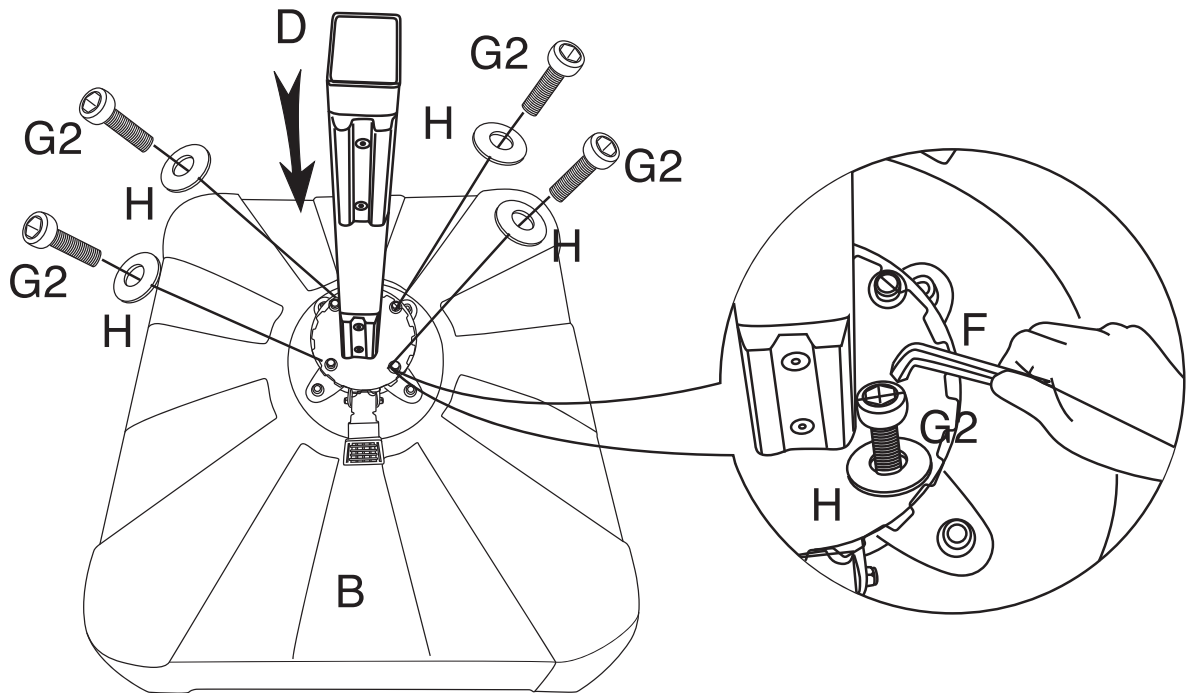


The stand is quite heavy when filled with water (220lbs) .
In case you want to move the stand,
open the cap on the side of the stand and release the water first.

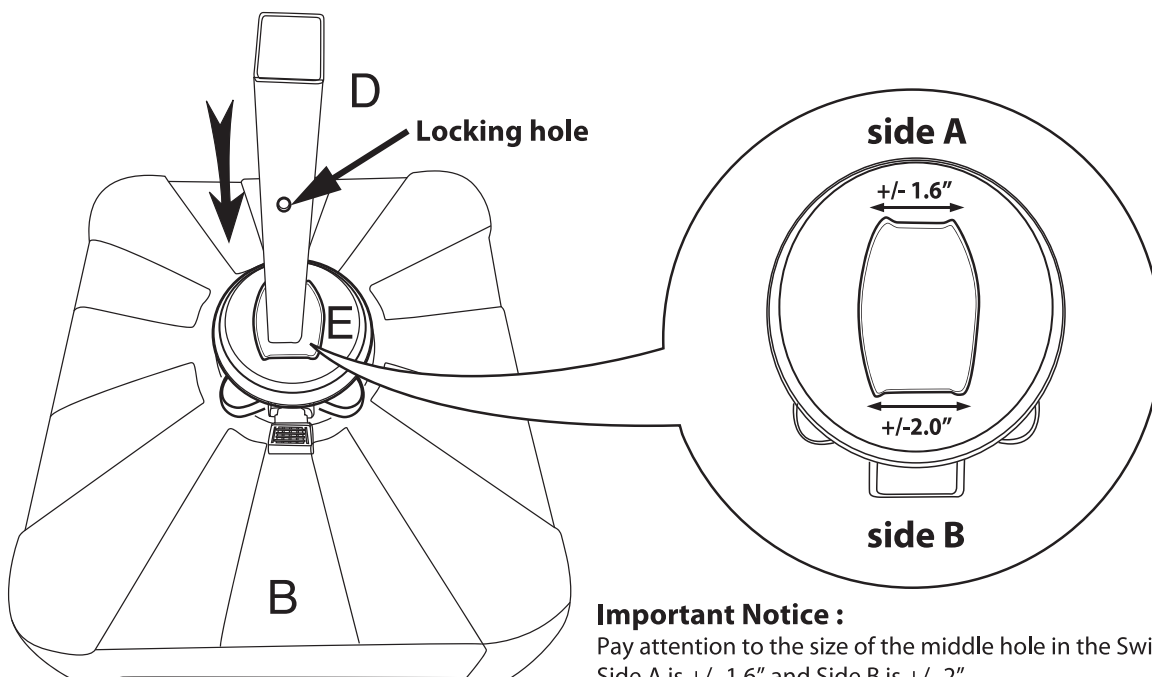
Step 2 Attach the Swivel Mechanism (part C) on top of the stand (part B) with bolts (part G2) washers (part H) and Allen wrench (part F).



Step 3 Attach the Base Pole (part D) on top of the Swivel Mechanism (part C) with bolts (part G2), washers (part H), and Allen wrench (part F).



Step 4 Place the Swivel Cover (part E) over the Base Pole (part D) .

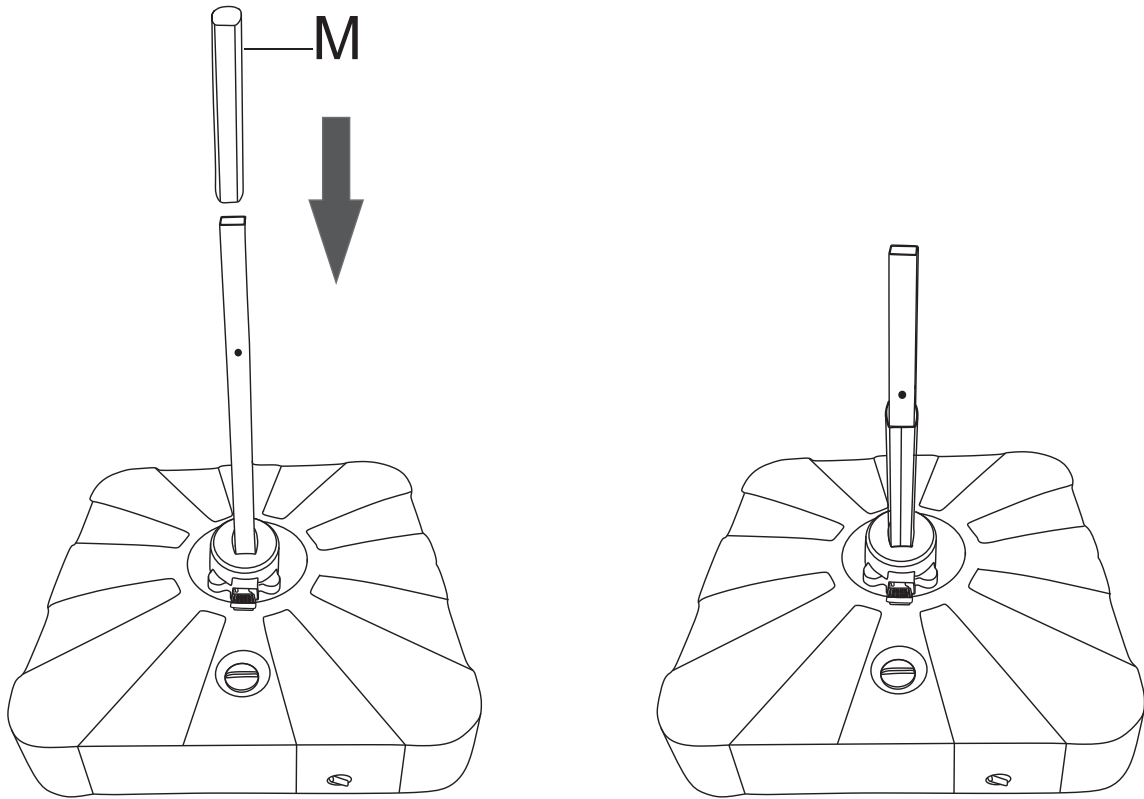


Important Notice :

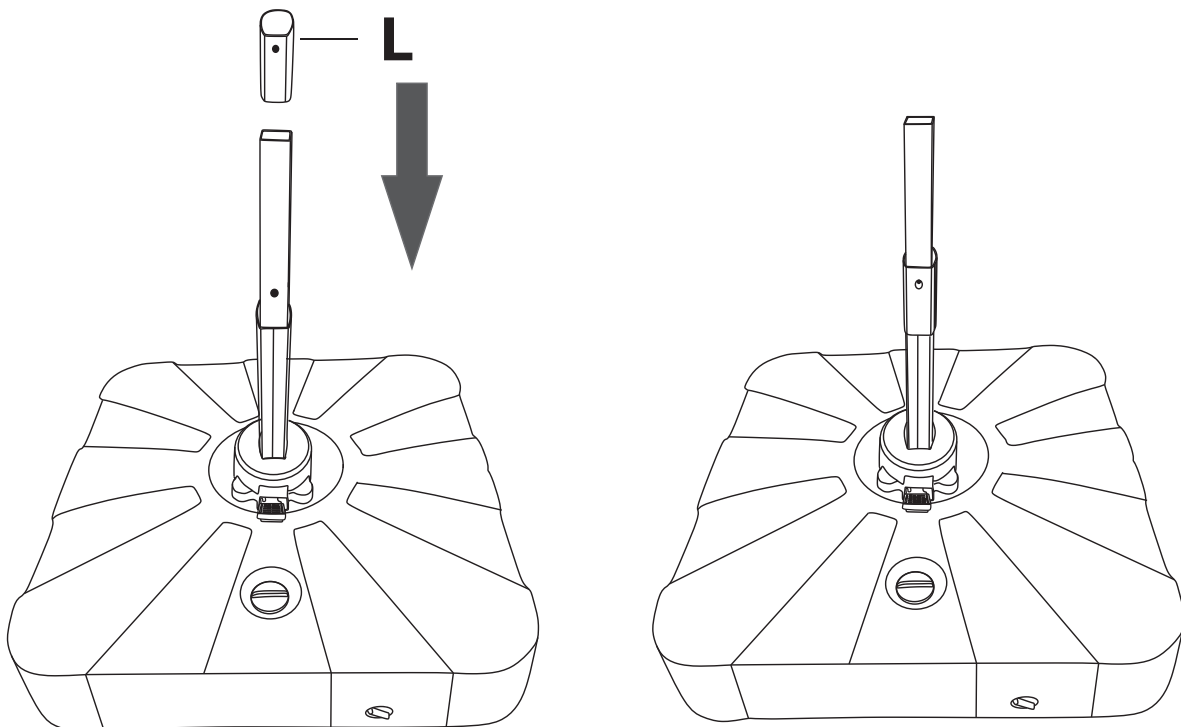
Pay attention to the size of the middle hole in the Swivel Cover (part E). Side A is $\pm 1.6''$ and Side B is $\pm 2''$.

Side B on the Swivel Cover (part E) and the locking hole on the Base Pole (part D) must be on the same side.

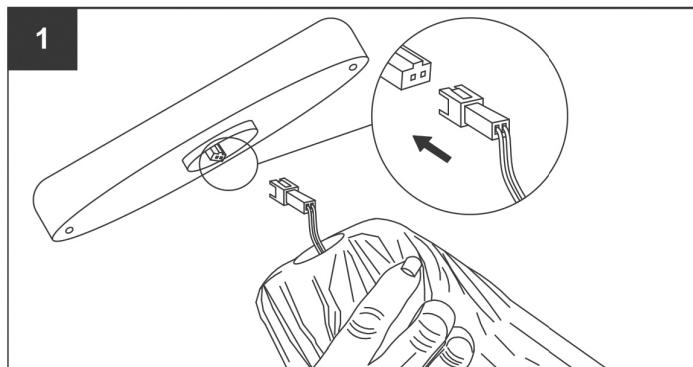
Step 5 Place the lower pole (part M) on the base as below.



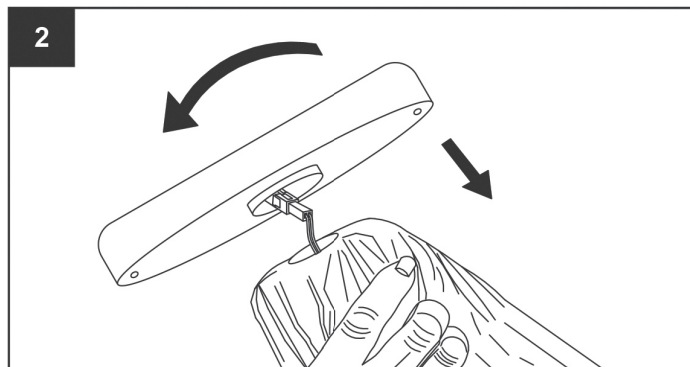
Step 6 Fix the plastic connector (part L) on the top of the lower pole (part M) . Make sure the two holes are on the same side as below.



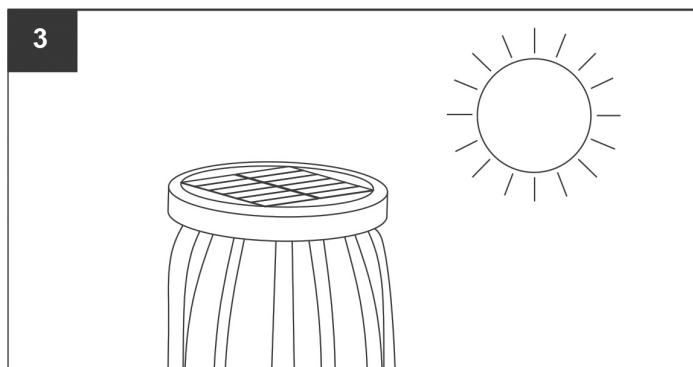
Step 7 Attach the Solar Panel (part N) on the top of Main Umbrella (part A) .



Firmly, but carefully, connect the plug on the solar panel with the socket on the top of the umbrella. Do not pull on wires as doing so may permanently damage the connections.



Align the notches on the solar panel with the grooves on the top of the umbrella, hide the plug and wires inside the hollow space. Turn the solar panel clockwise to lock into place; do not over-tighten.



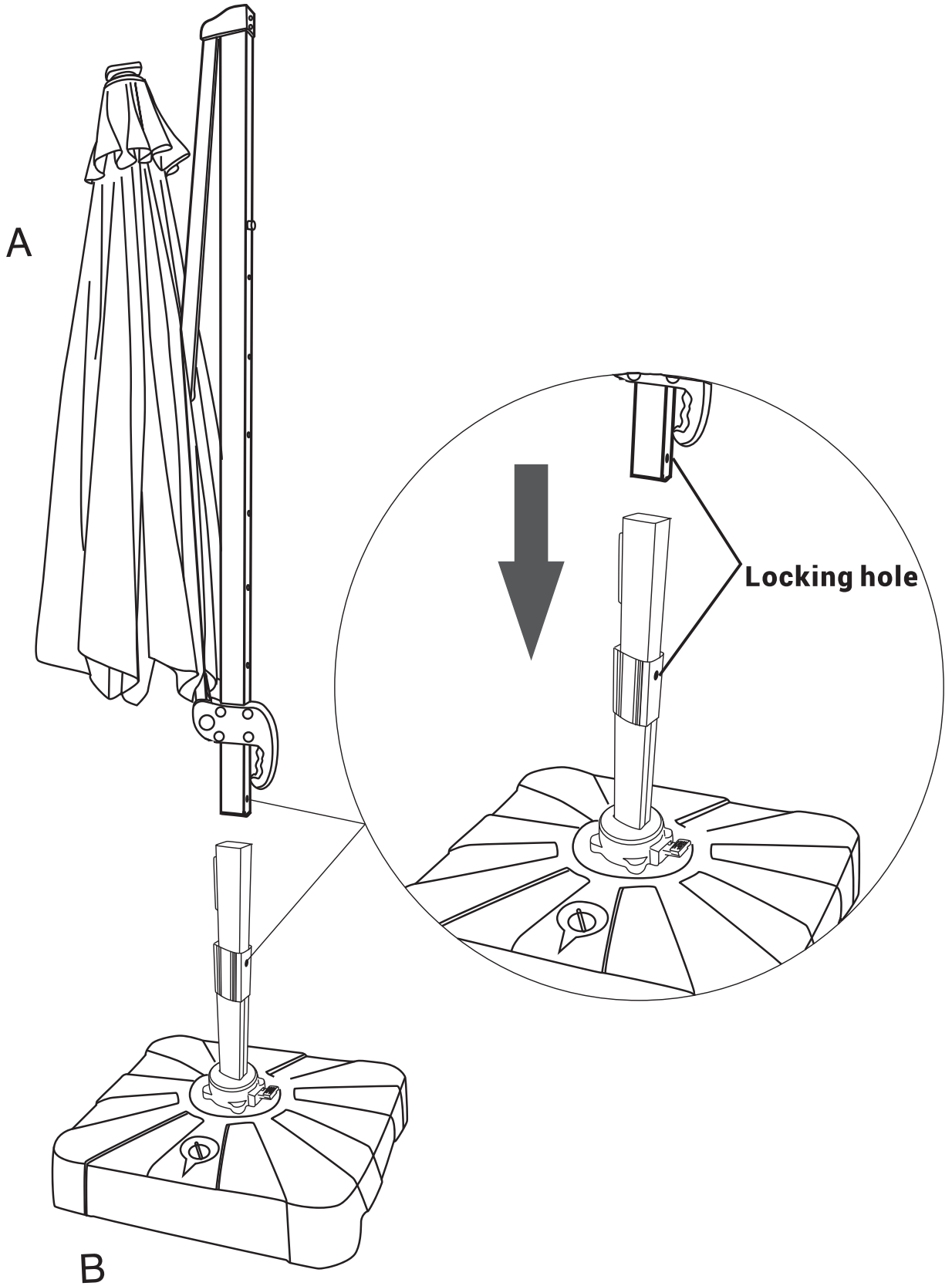
Before the first use, ensure the solar panel receives at least 8 hours of direct sunlight to charge the batteries.

! IMPORTANT:

The solar panel has a protective film to prevent damage during shipping.

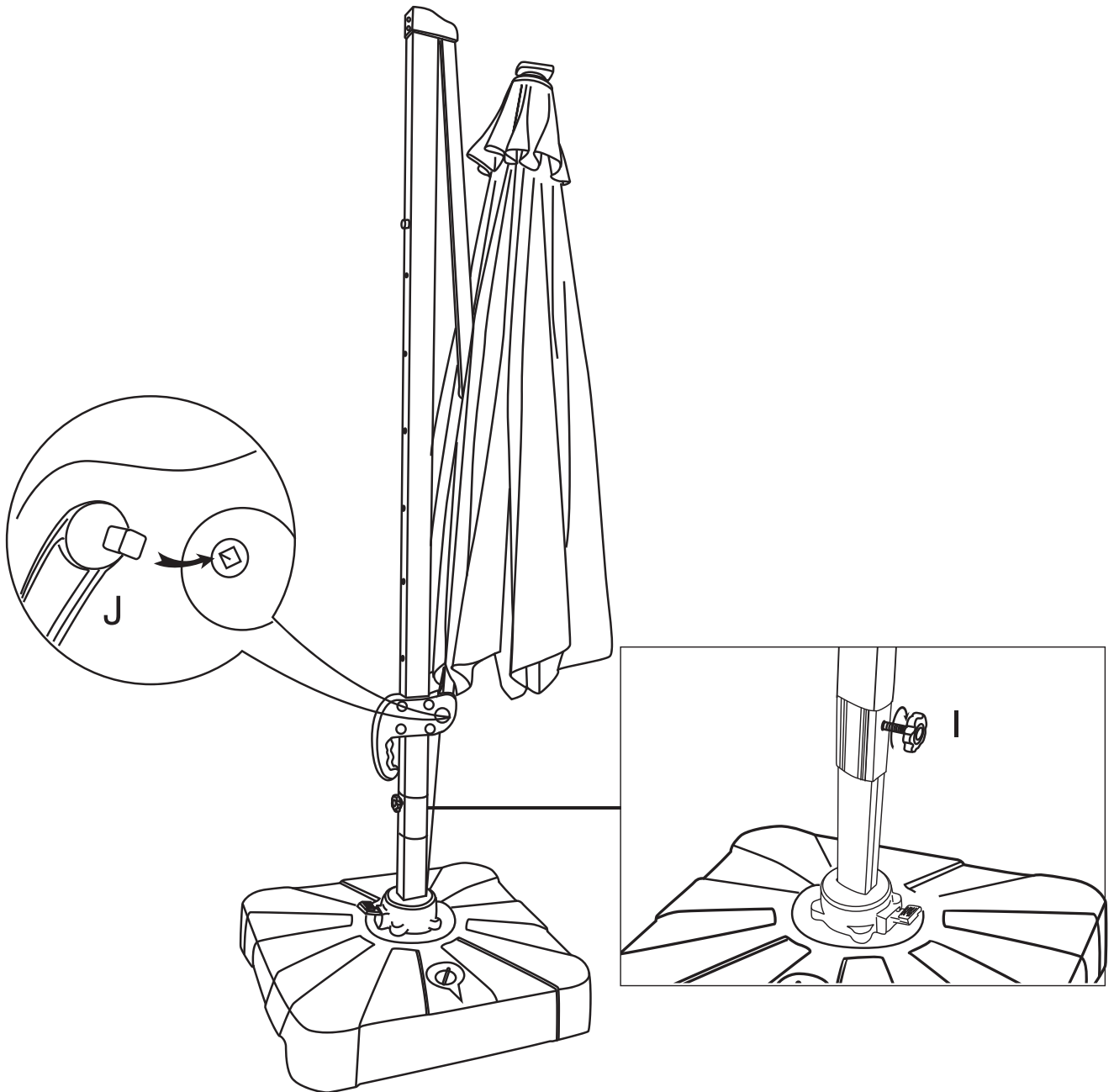
Remove the plastic film on the solar panel. Failure to remove the film will result in the solar panel not functioning properly.

Step 8 Place the Main Umbrella (Part A) on top of the Base Pole (Part D).



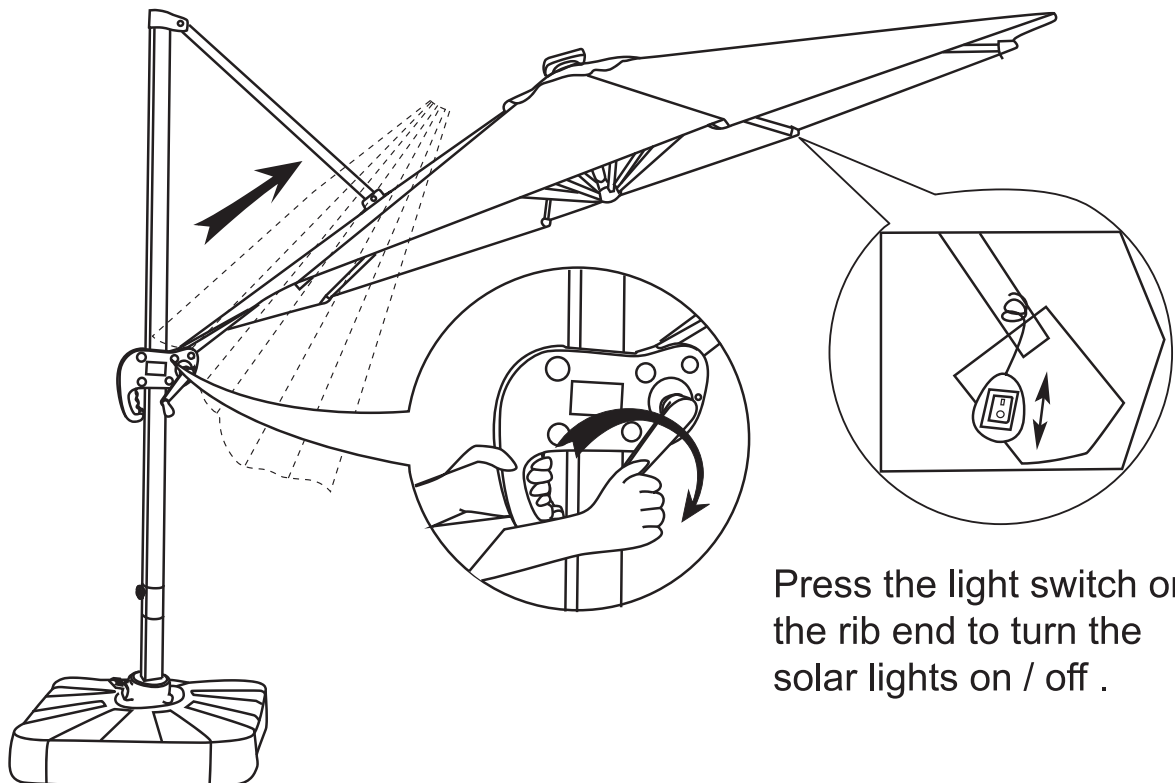
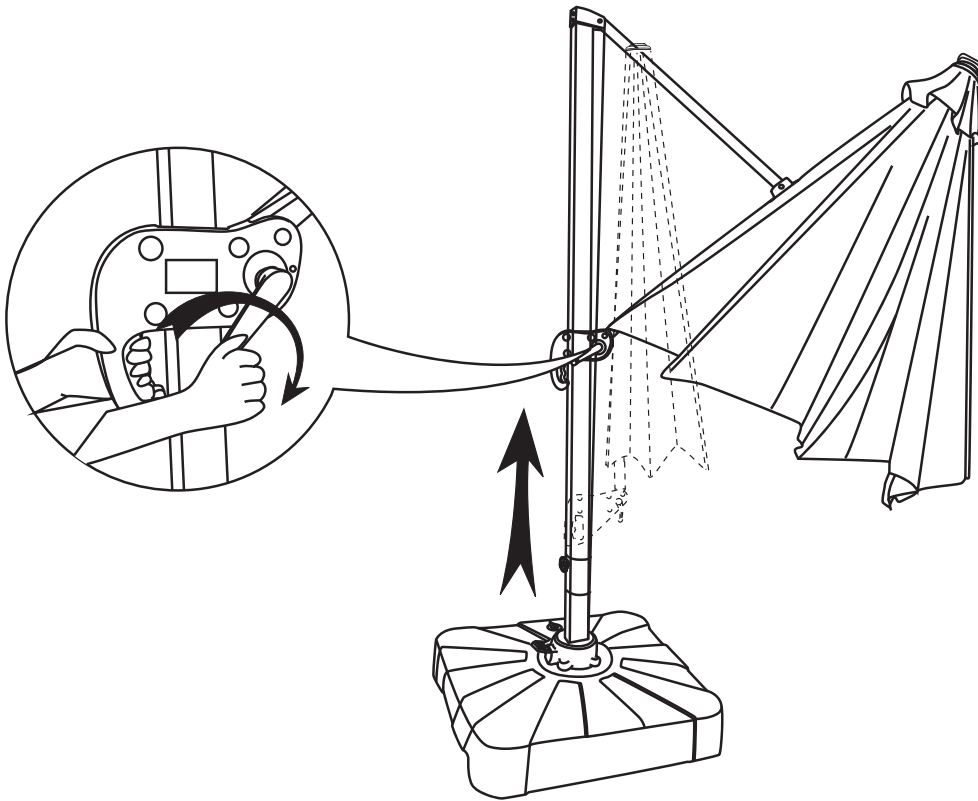
Step 9

Insert the Crank Handle (part J) into the square hole on the Main Umbrella (part A).
Screw the Threaded Knob (part I) into the locking hole on the Main Umbrella (part A).



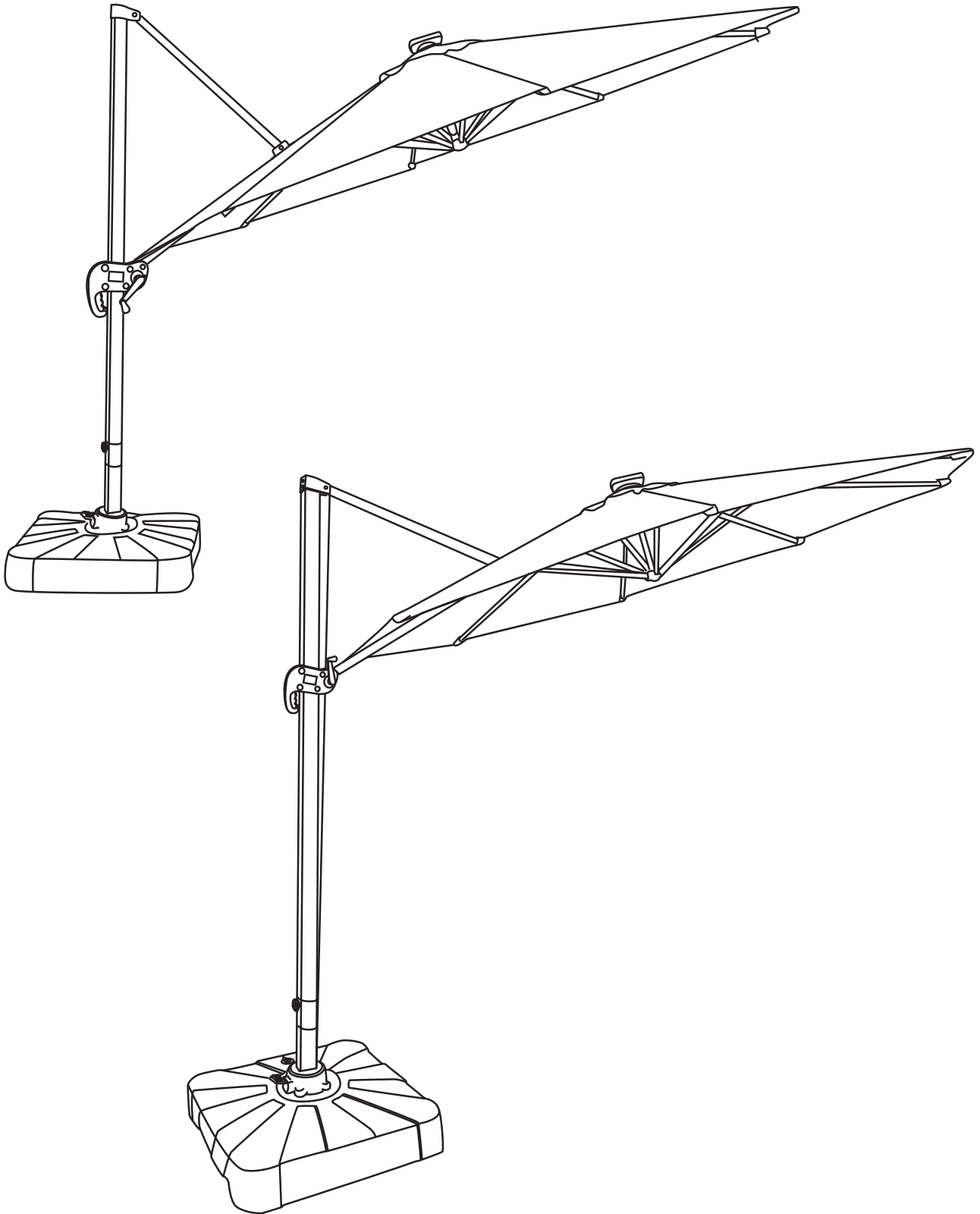
ATTENTION:
MAKE SURE ALL BOLTS AND SCREWS ARE FULLY TIGHTENED BEFORE USING THE UMBRELLA.

Step 10 Squeezing the trigger before attempting to raise the crank house. Turn the Crank handle clockwise to extend the umbrella fully .



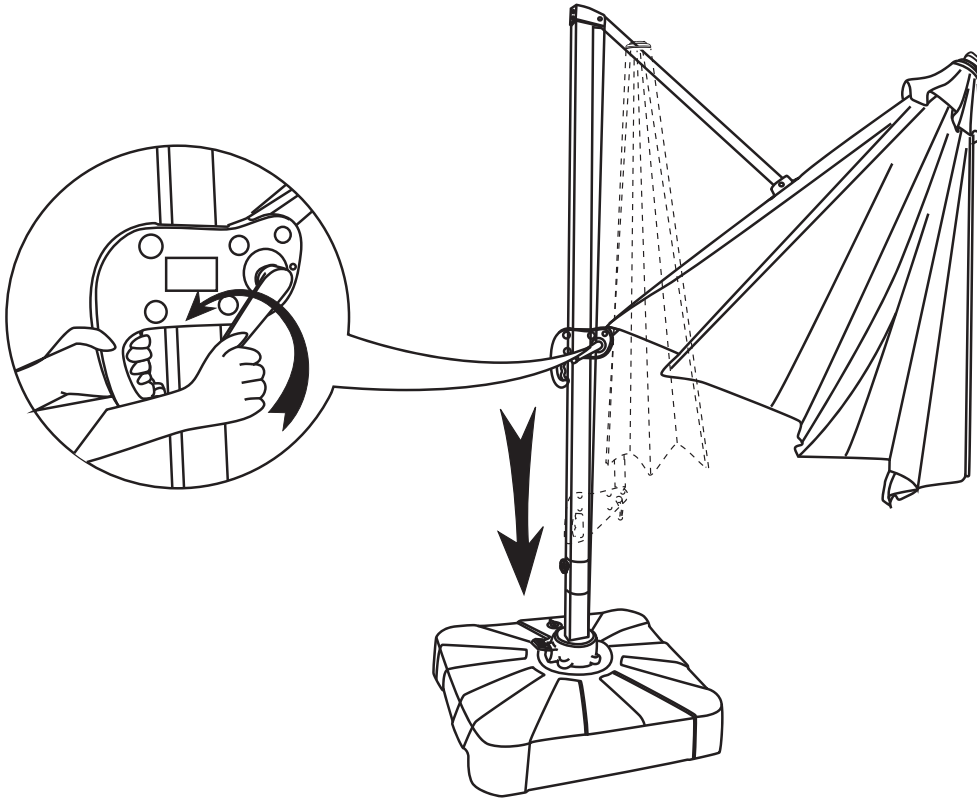
Press the light switch on the rib end to turn the solar lights on / off .

Step 11 The umbrella has 6 position holes on the main pole to lock the canopy at different angles .



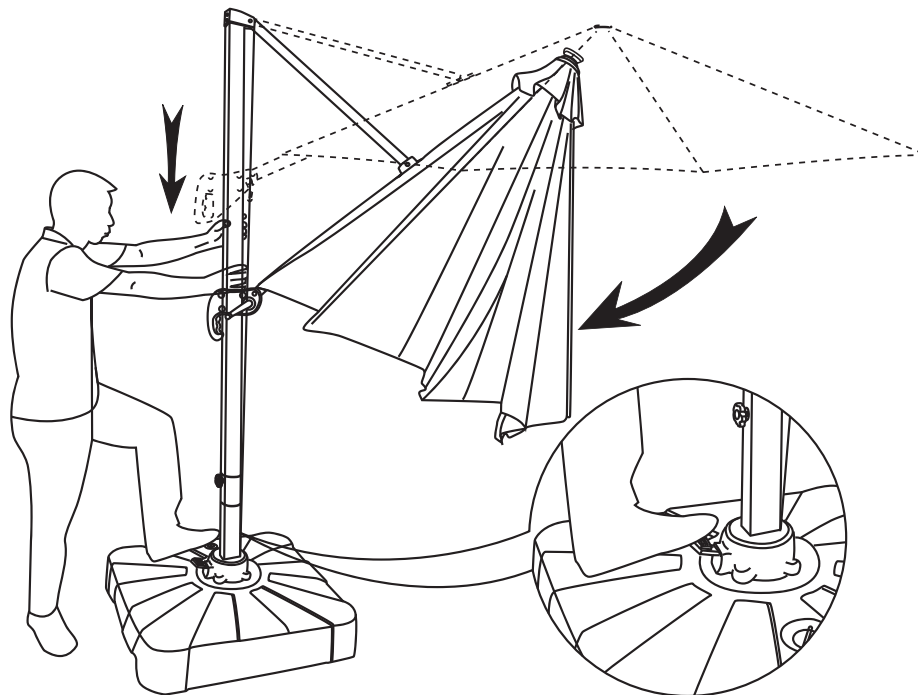
Step 12

Squeeze the trigger before attempting to lower the crank house.
Turn the Crank handle counter-clockwise to close the umbrella.

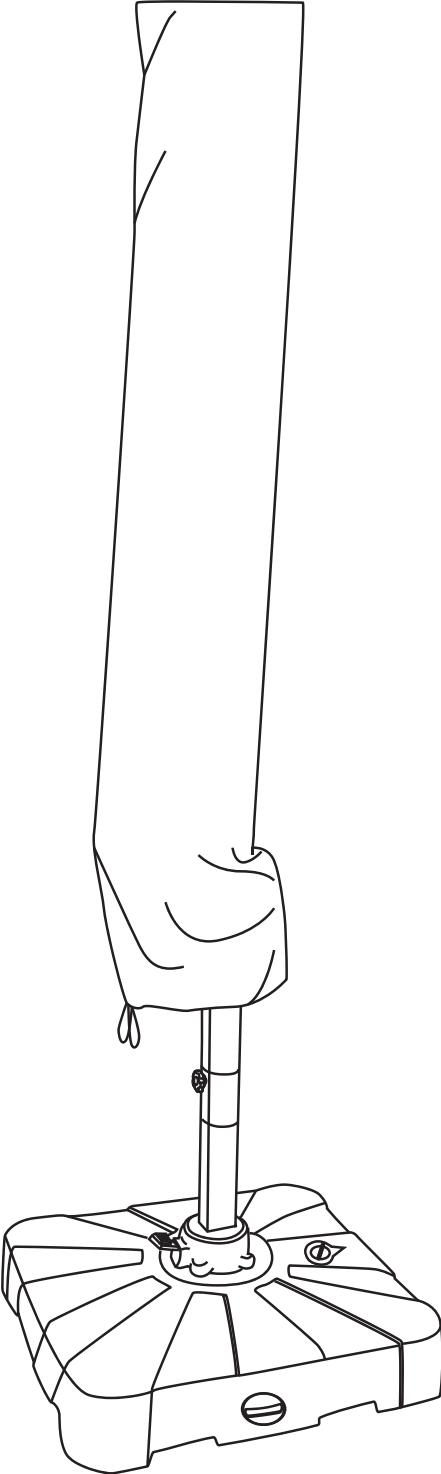


Step 13

This umbrella has a 360 degree swivel mechanism . Before attempting to turn the umbrella, close the umbrella first and press the lever down with your foot to release the mechanism.



Step 14 When not in use, place Umbrella Cover (part K) over the umbrella .



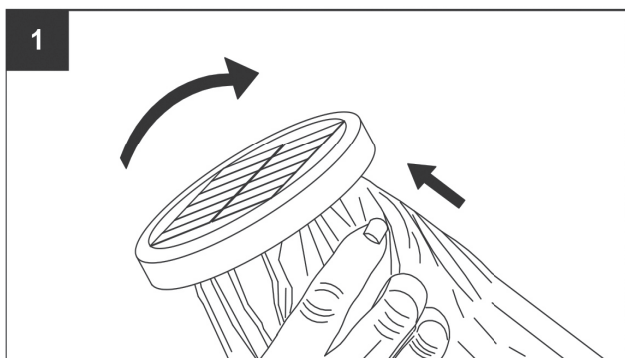
BATTERY REPLACEMENT

Change the batteries in the solar panel every year or when the light output is diminished.

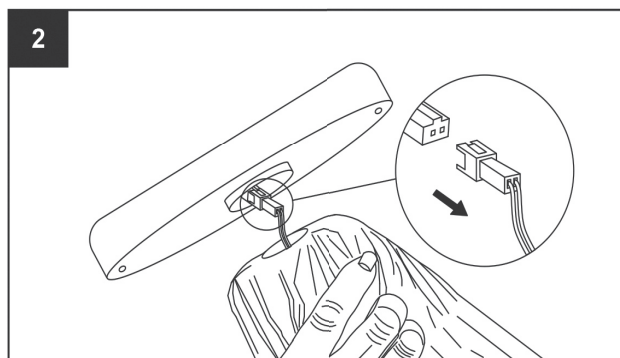
- Only install new batteries of the same type into the product; (3) 'AA' Ni-MH 2000mAh rechargeable batteries.
- Failure to insert batteries in the correct polarity, as indicated in the battery compartment, may shorten the life of the batteries or cause batteries to leak.

- Do not mix old and new batteries.
- Do not mix Alkaline, Nickel Cadmium or Lithium rechargeable batteries.
- Recycle batteries in accordance with local laws and regulations.

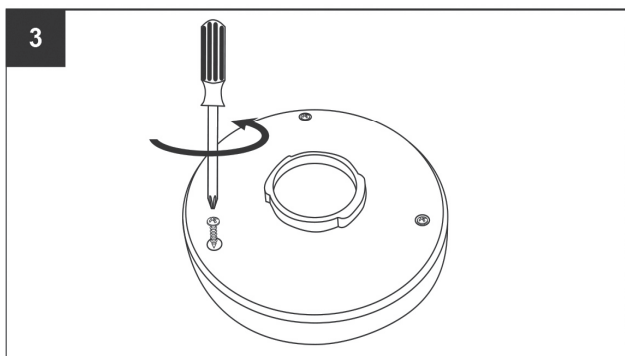
Tools required: Phillips screwdriver (not included)



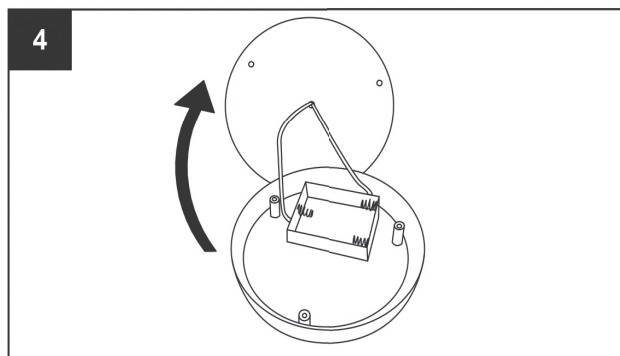
Twist the solar panel counterclockwise and gently lift the panel off the umbrella. Take care not to pull on the cords.



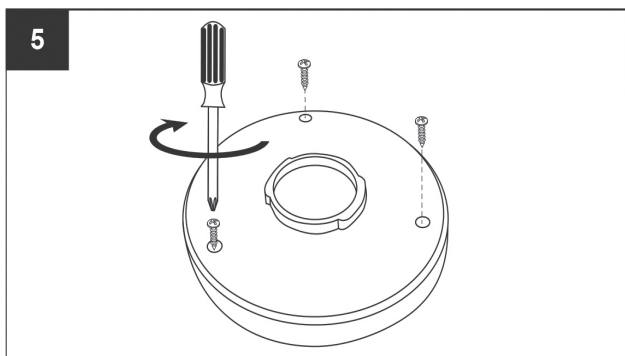
Carefully disconnect the plug from the socket by pressing the tabs surrounding the connection point. Pull apart by holding the plug, never pull on the wires.



Place the solar panel face-down on a soft, clean surface. Remove (3) screws from the bottom of the panel.



Carefully lift the bottom of the panel, ensuring the wires remain intact. Gently remove the old batteries. Paying attention to the positive and negative terminals, insert new batteries.



Carefully replace the bottom of the panel and align the screw holes. Secure the panel with the screws removed in step 3. Do not over-tighten the screws.



This product uses a rechargeable battery. When the battery can no longer be used, it should be removed from the unit and recycled. The battery must not be incinerated or composted. Recycle the battery in accordance with local laws and regulations.