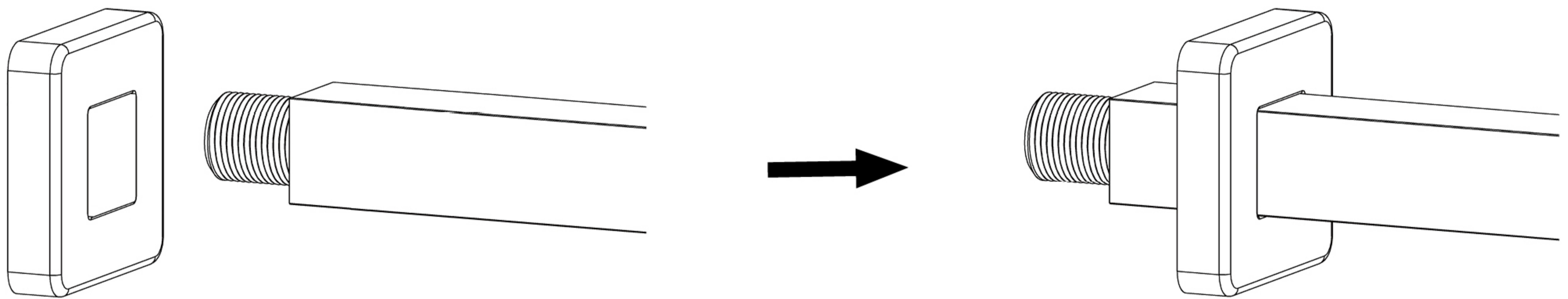
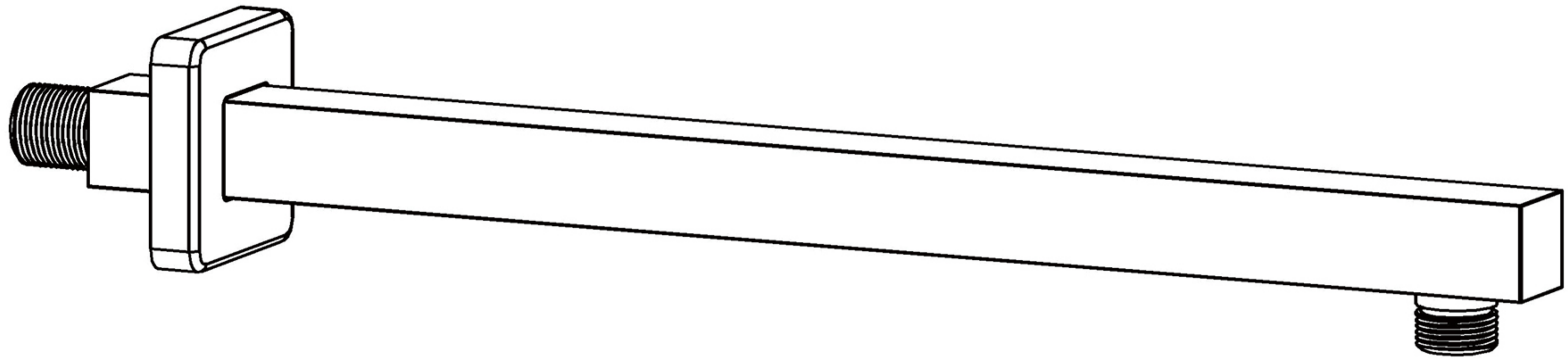
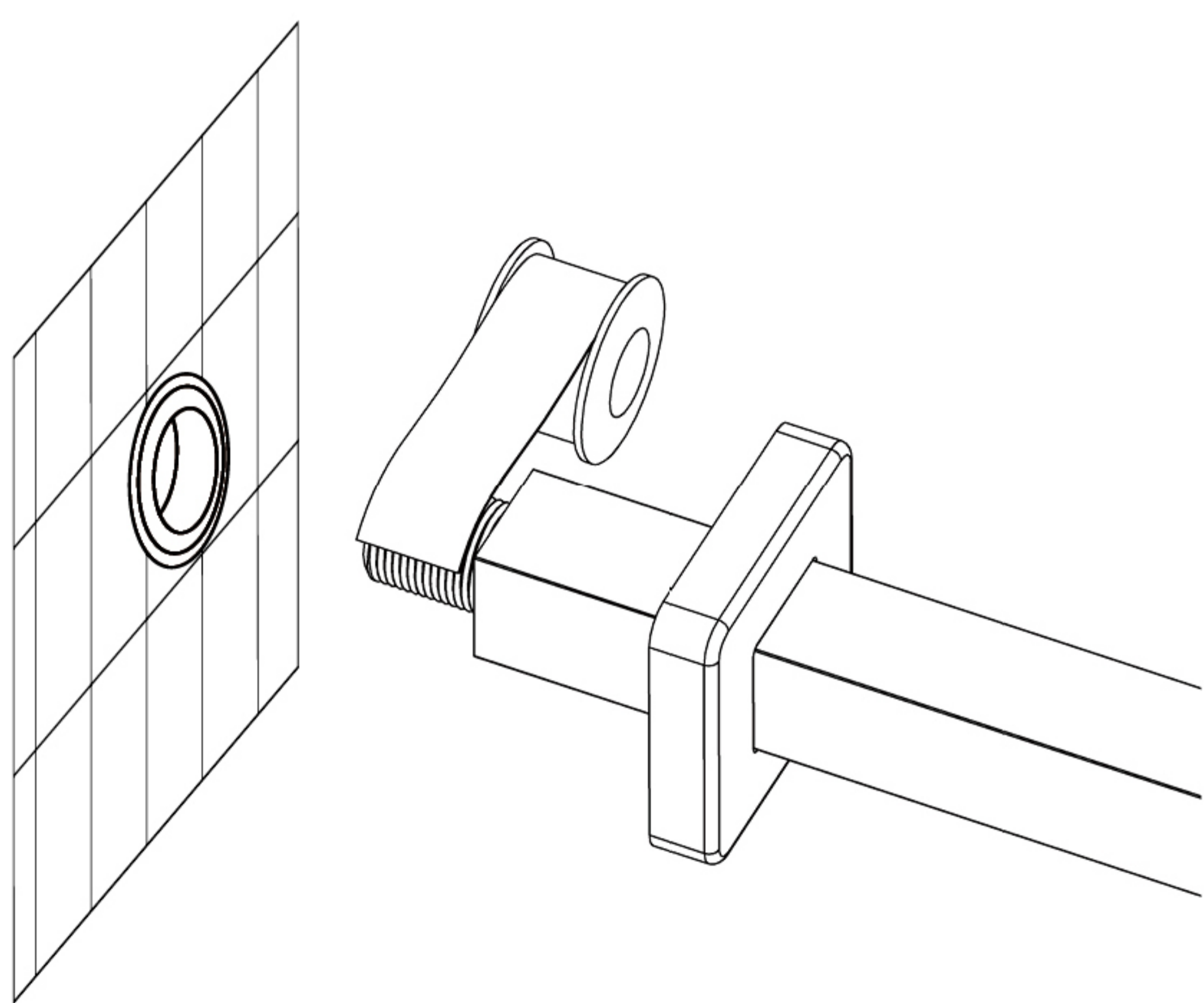


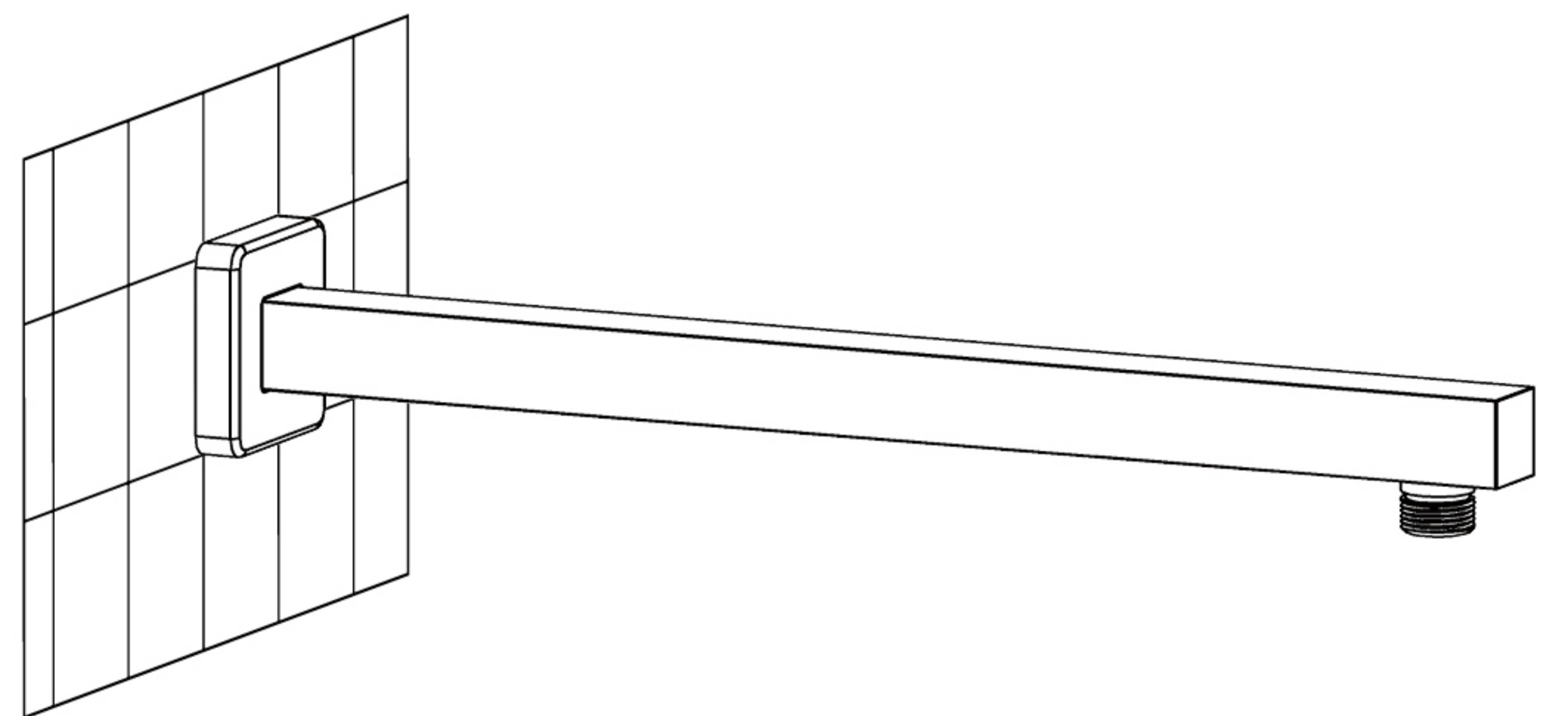
INSTALLATION INSTRUCTIONS



1. Put flange through shower arm



2. Wrap teflon tape on threaded connector



3. Install shower arm and move flange to cover the hole on wall