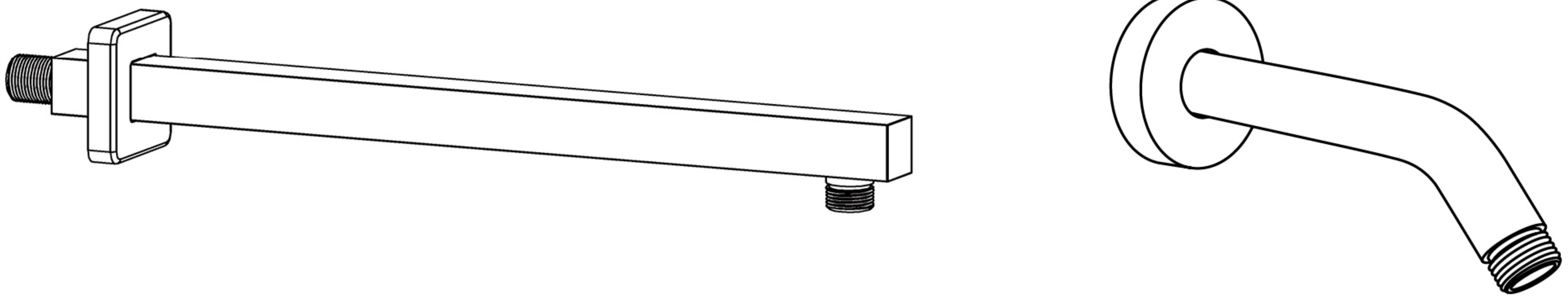
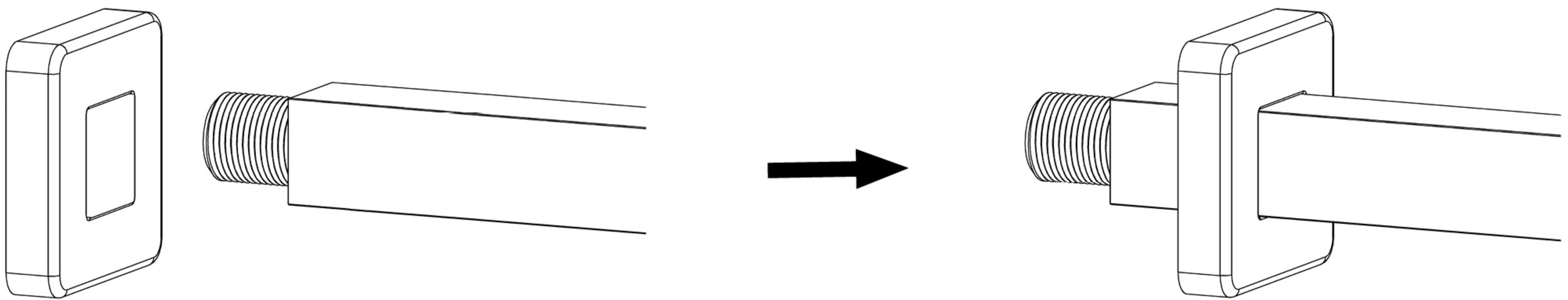


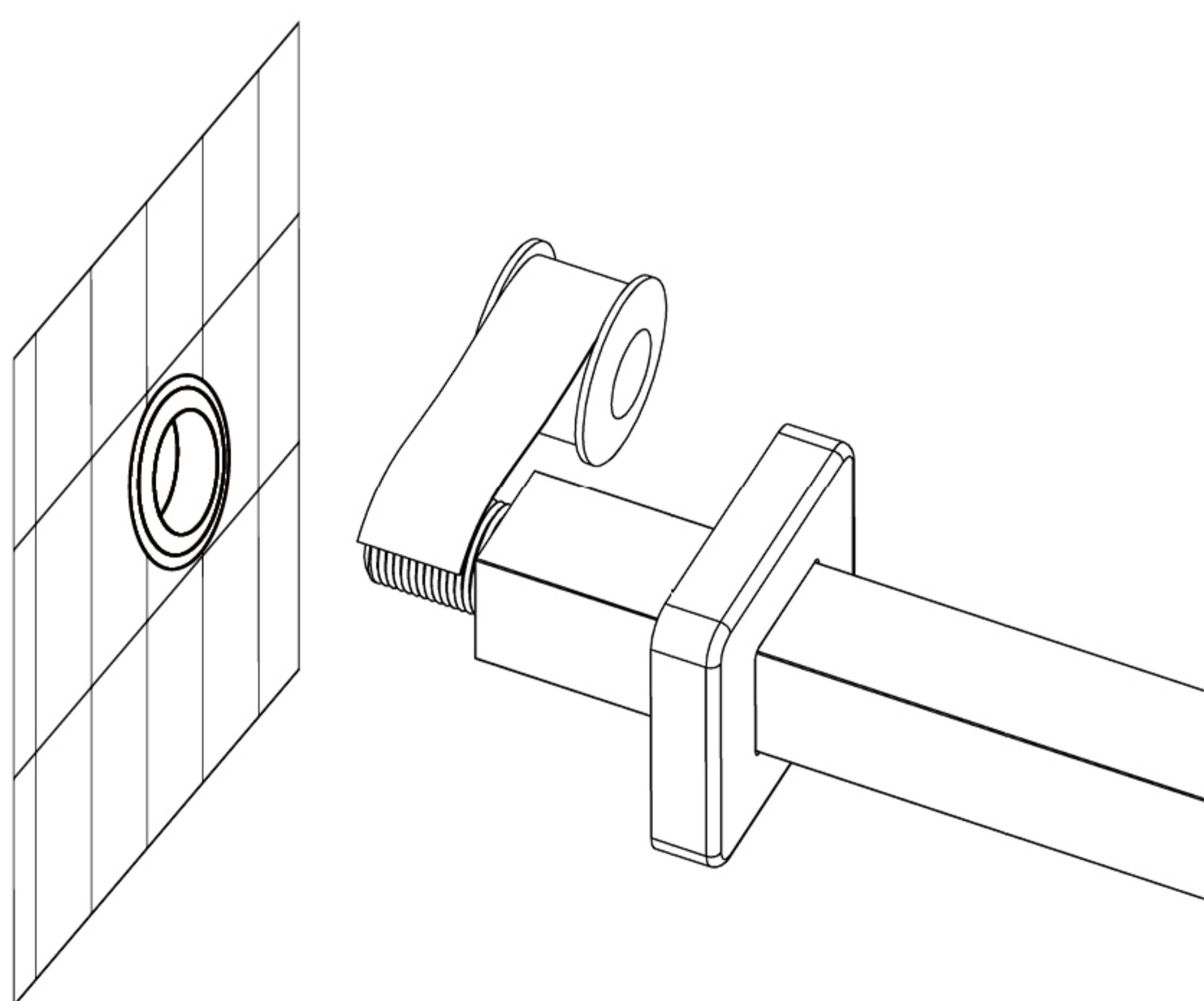
INSTALLATION INSTRUCTIONS



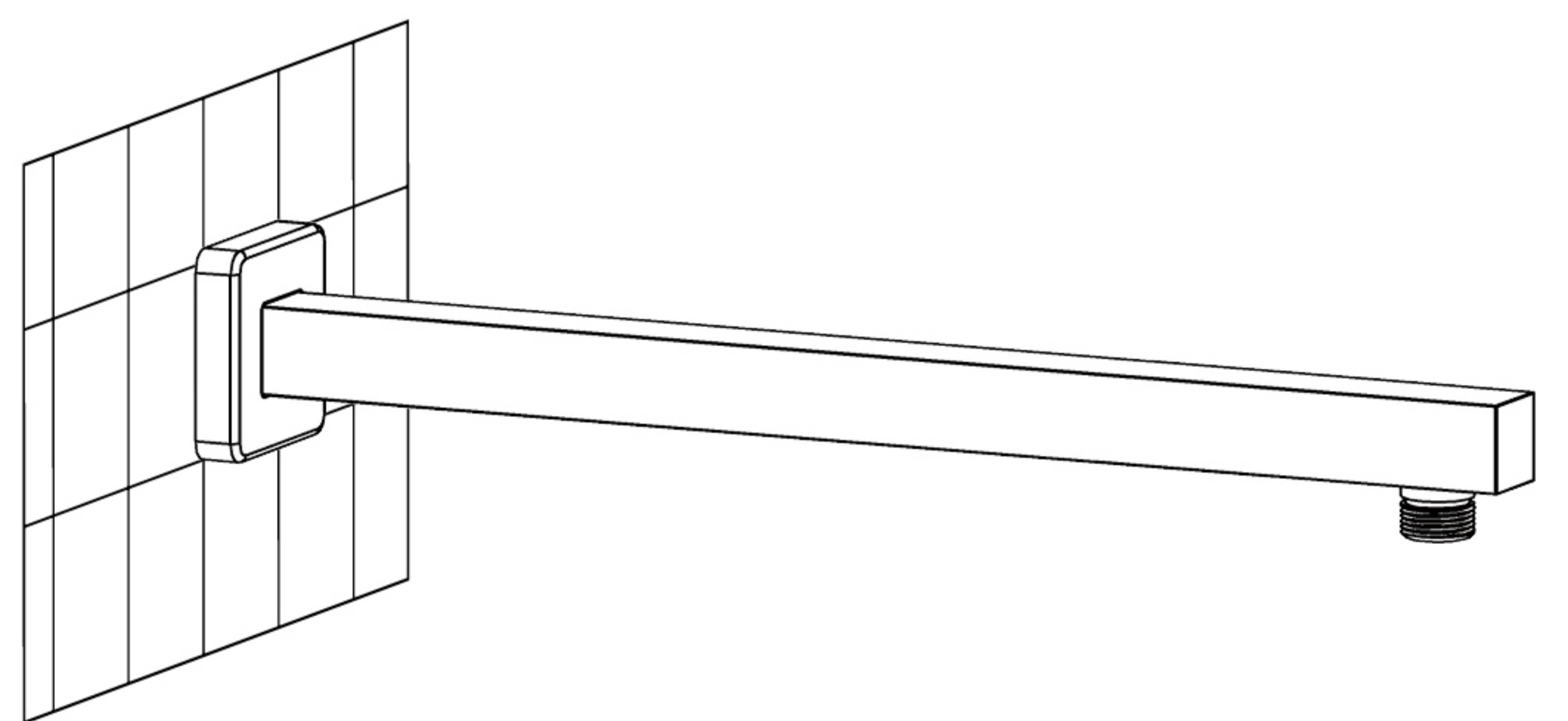
The models may be different, but the installation steps are the same



1. Put flange through shower arm



2. Wrap teflon tape on threaded connector



3. Install shower arm and move flange to cover the hole on wall