

ASSEMBLY INSTRUCTION

HDPE ADIRONDACK CHAIRS



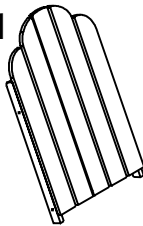
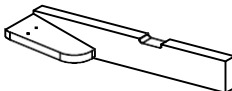
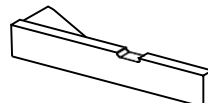

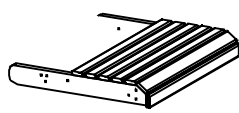
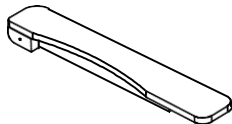
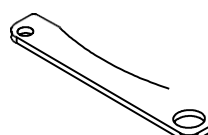
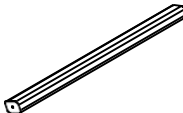



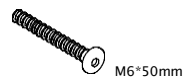




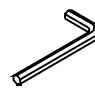
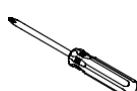
ASSEMBLY INSTRUCTION

IMPORTANT SAFETY NOTICE: READ CAREFULLY BEFORE BEGINNING ASSEMBLY!

- Always use proper tools.
- Follow the assembly steps in order. Do not skip any steps.
- Be sure to check all packing materials carefully for small parts may have come loose inside the carton during shipment. If parts are missing, contact the retailer from which you purchased the product to obtain any missing parts. **DO NOT USE SUBSTITUTE PARTS.**
- Periodically check to ensure that all connectors (bolts, screws, etc.) are tight.
- Keep the instructions for future reference.

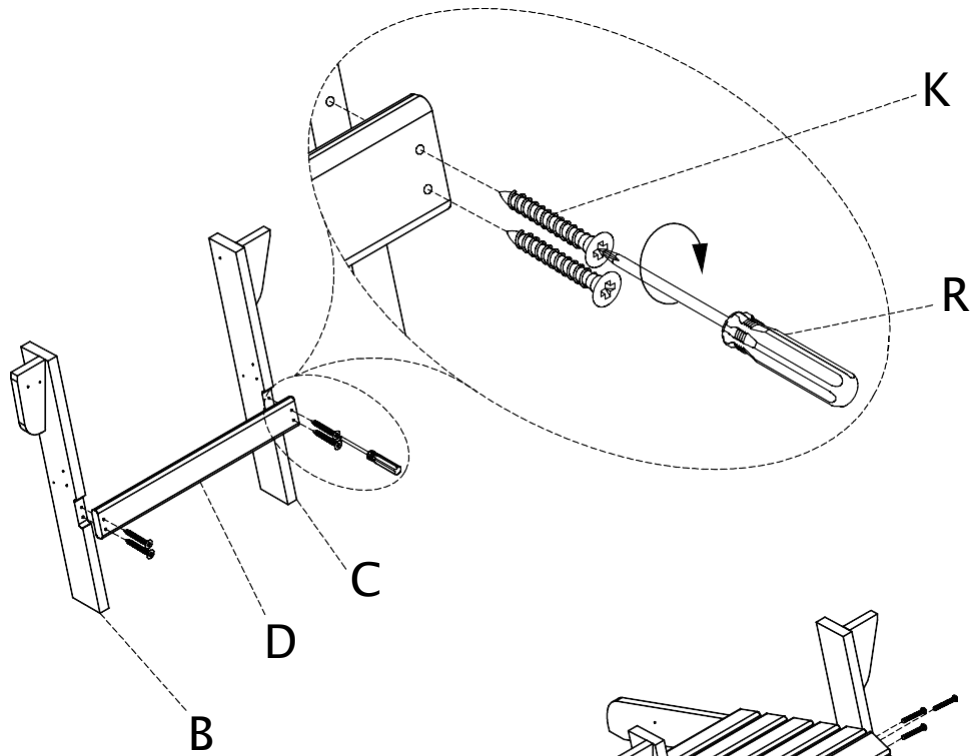
*Where assembly instructions state that the assembly requires two or more people, do not attempt by yourself as there is a risk of injury.

NOTE: YOUR UNIT MAY LOOK DIFFERENT IN APPEARANCE FROM THE ONE SHOWN IN THE ILLUSTRATIONS ON THIS INSTRUCTION SHEET.

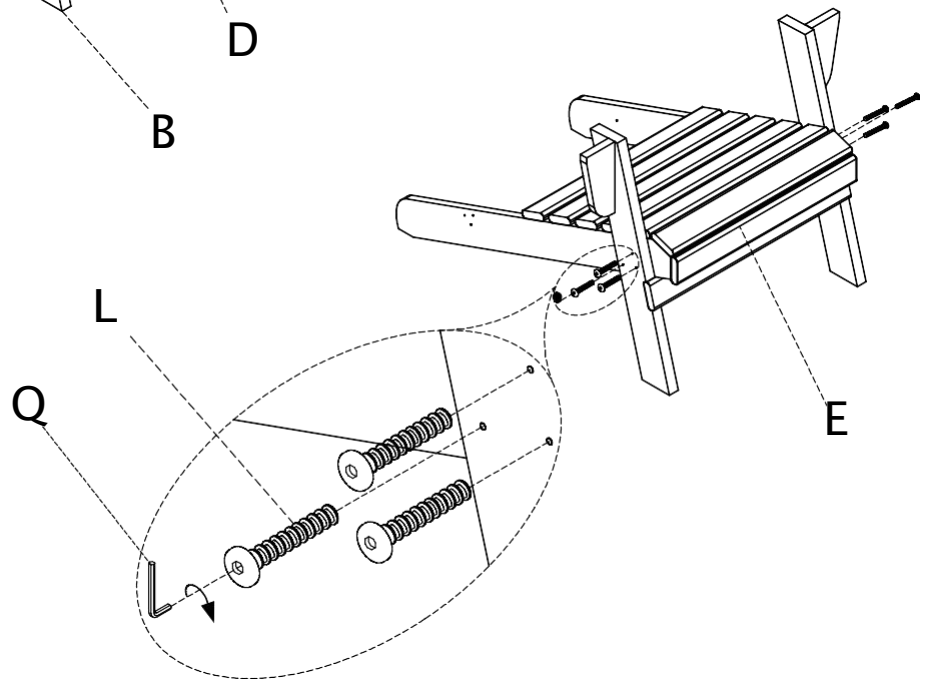
A x 1 	B x 1 	C x 1 	D x 1 
E x 1 	F x 1 	G x 1 	H x 1 
I x 1 	J x 1 	K x 9 	L x 13 
M x 2 	N x 2 	O x 2 	P x 1 
Q x 1 	R x 1 		

NOTE: UNIT SHOULD BE ASSEMBLED BY TWO OR MORE PEOPLE
DO NOT TIGHTEN ANY BOLTS UNTIL ALL BOLTS HAVE BEEN STARTED!

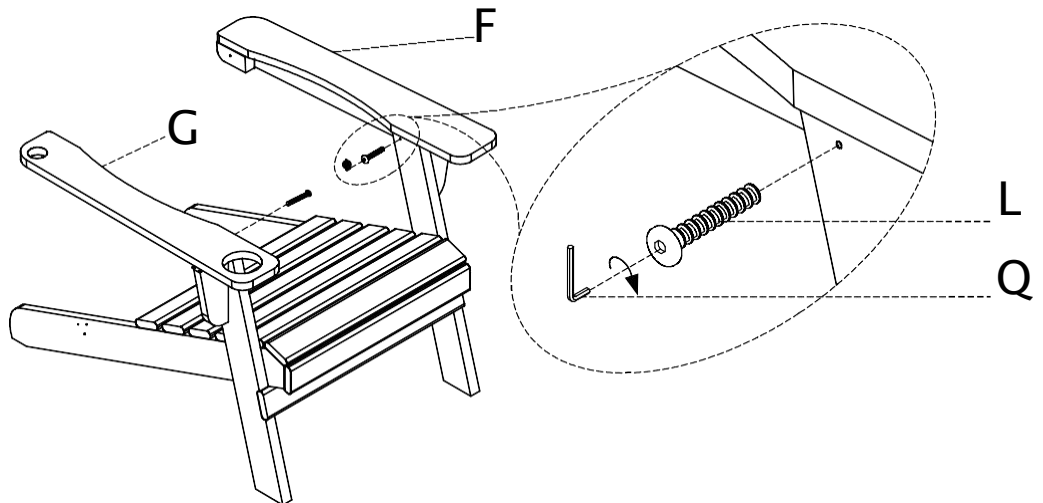
1



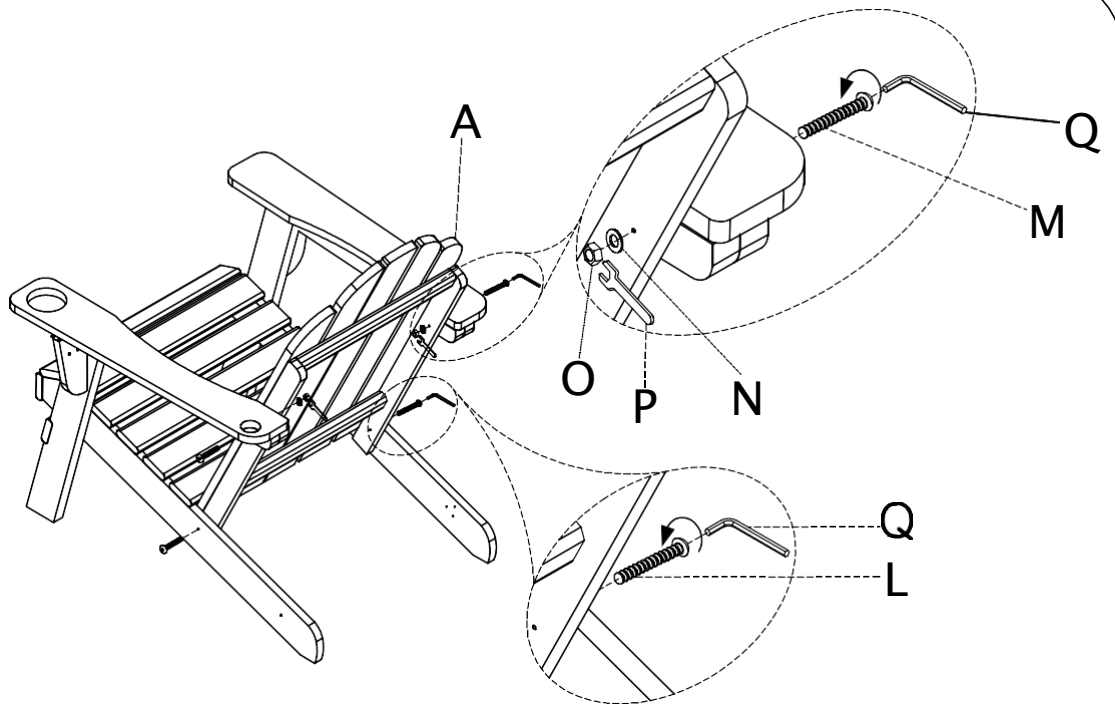
2



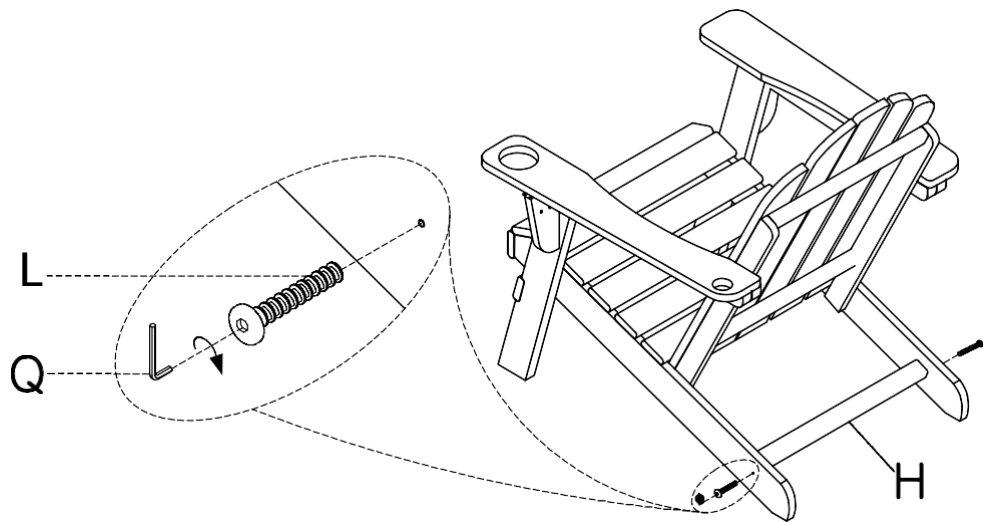
3



④



⑤



⑥

