

Installation Instructions

ASSEMBLY INSTRUCTIONS:

- * Before assembling, make sure that you lay out and identify all parts listed in the parts list.
- * All bolts should be hand tightened before use. Never use power tools or excessive force during assembly and tightening of bolts.
- * Please place the umbrella on a flat protected surface during assembly.

NOTES FOR USE:

- * The first time to open the umbrella before you need to first reason under the umbrella cloth umbrella bone
- * Please can not untie the knot of the umbrella rope

CARE INSTRUCTIONS:

- * Powder-coated steel is durable and will last for many years of seasonal use. It is recommended to touch up or repair any scratches to the paint surface to prevent rust.
- * If you see rust, carefully sand the area using fine sandpaper and apply a rust-resistant paint that closely matches the frame color.
- * When using an umbrella with a table, always make sure the protective ring is in the umbrella hole and the umbrella is secured using a sturdy umbrella base.
- * Never use any umbrella at a table during windy conditions.

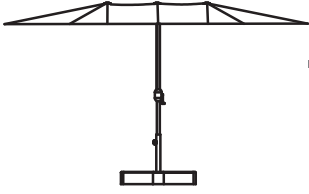


MONDAWE

Website: www.mondawe.com

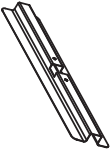

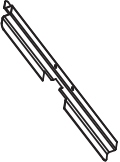









Customer Service: service@mondawe.com

Phone: 888-328-5111





PARTS LIST

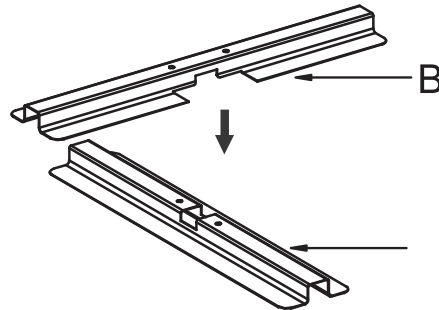


 Stand A	A 1	 Corner Protector	G 4
 Stand B	B 1	 Base Frame	H 4
 Foot Tube	C 1	 Sand Bag (Fabric)	J 2
 Screw	D 4	 Base Cover (Fabric)	K 1
 Spacer	E 4	 Umbrella Body	L1 1
 Wrench	F 1	 Pole	M 1





ASSEMBLY INSTRUCTIONS

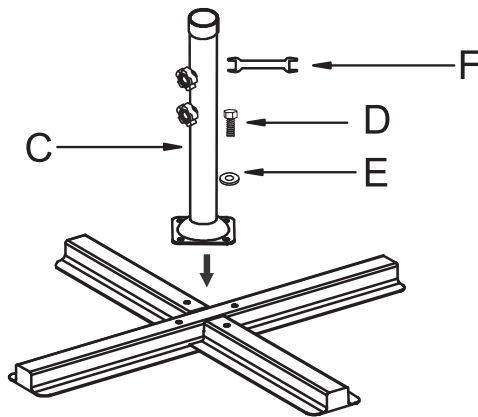
STEP 1 :

	A X 1
	B X 1



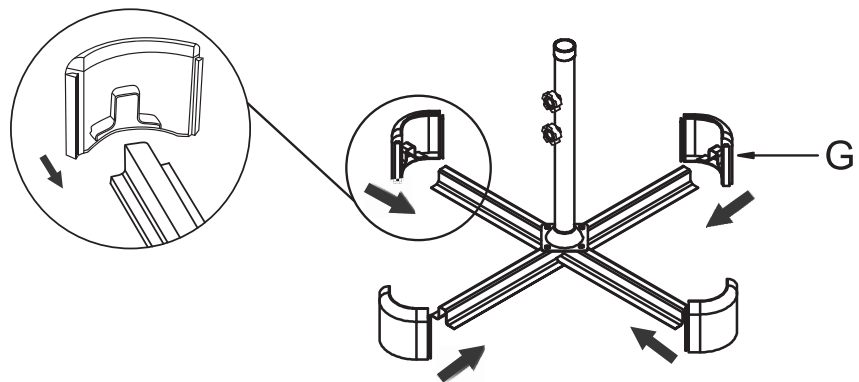
STEP 2 :

	C X 1
	D X 4
	E X 4
	F X 1



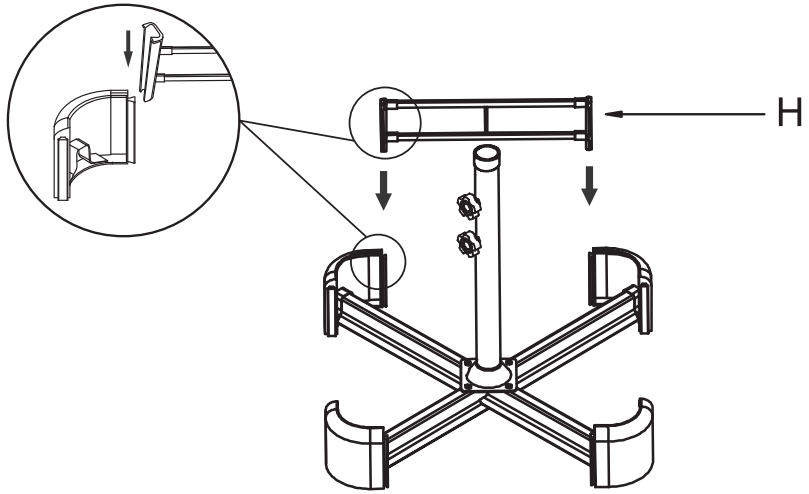
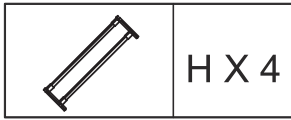
STEP 3 :

	G X 4
---	-------

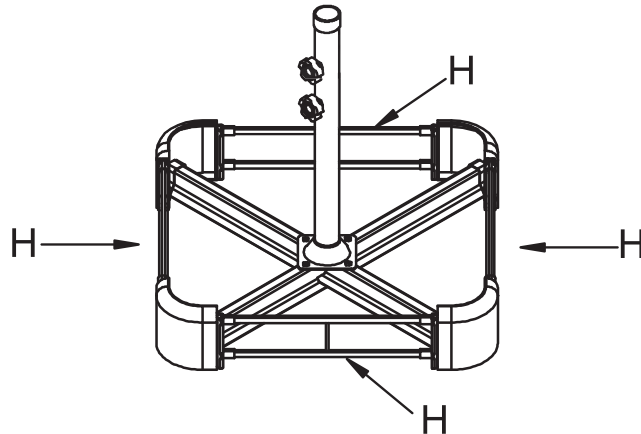


ASSEMBLY INSTRUCTIONS

STEP 4 :



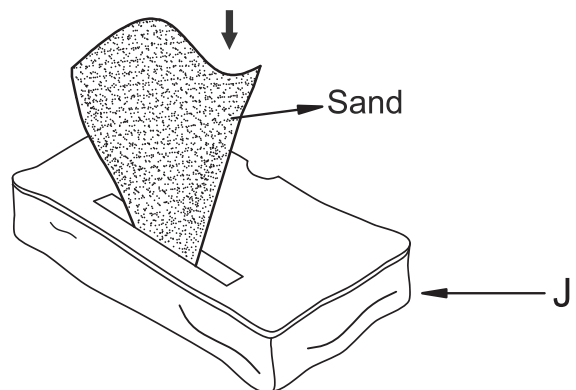
STEP 5 :



STEP 6 :

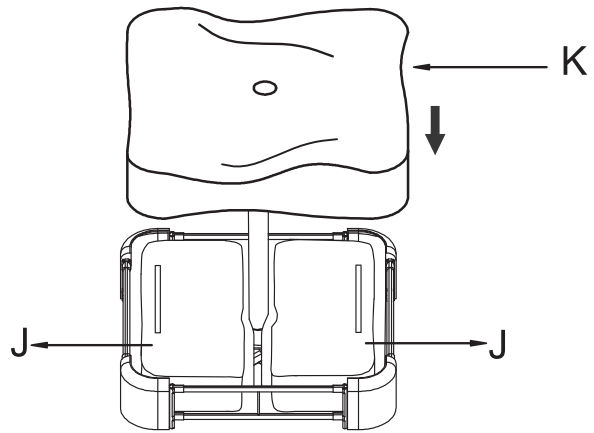
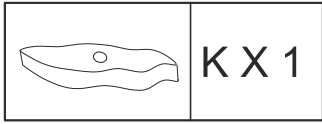


For proper stability of your offset umbrella.
The recommended minimum weight of the
sand to be placed into each sand bag is
67.5lbs for a total of 135lbs.

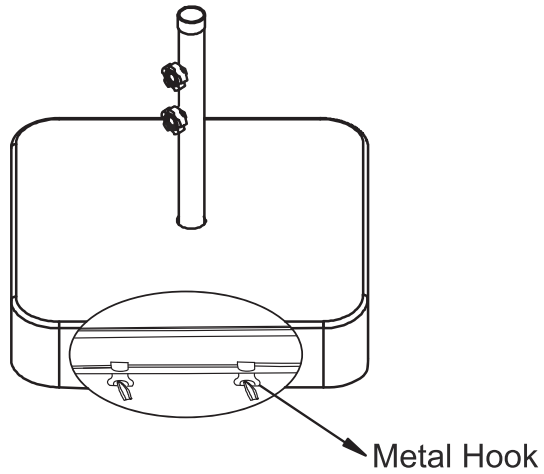


ASSEMBLY INSTRUCTIONS

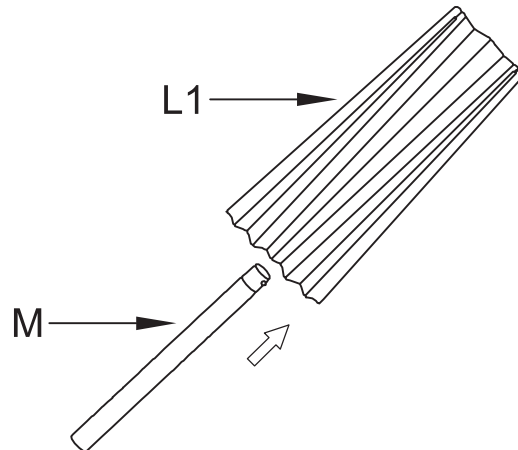
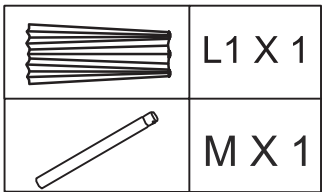
STEP 7 :



STEP 8 :

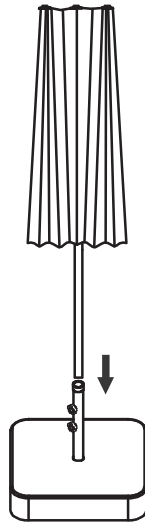


STEP 9 :

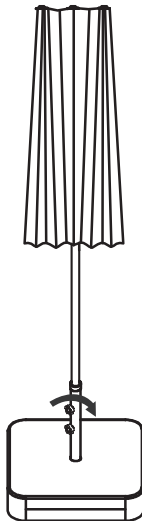


ASSEMBLY INSTRUCTIONS

STEP 10 :



STEP 11 :



CAUTION: Fully tighten the two bolts.

STEP 12 :

