

# Installation Instructions

## ASSEMBLY INSTRUCTIONS:

- \* Before assembling, make sure that you lay out and identify all parts listed in the parts list.
- \* All bolts should be hand tightened before use. Never use power tools or excessive force during assembly and tightening of bolts.
- \* Please place the umbrella on a flat protected surface during assembly.

## NOTES FOR USE:

- \* The first time to open the umbrella before you need to first reason under the umbrella cloth umbrella bone
- \* Please can not untie the knot of the umbrella rope

## CARE INSTRUCTIONS:

- \* Powder-coated steel is durable and will last for many years of seasonal use. It is recommended to touch up or repair any scratches to the paint surface to prevent rust.
- \* If you see rust, carefully sand the area using fine sandpaper and apply a rust-resistant paint that closely matches the frame color.
- \* When using an umbrella with a table, always make sure the protective ring is in the umbrella hole and the umbrella is secured using a sturdy umbrella base.
- \* Never use any umbrella at a table during windy conditions.


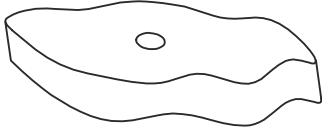
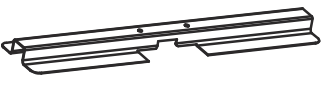
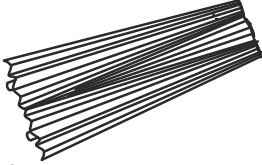
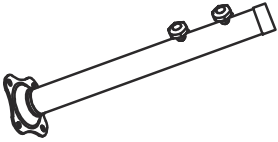






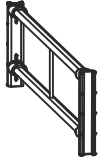





MONDAWE

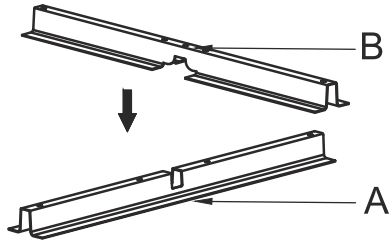
Website: [www.mondawe.com](http://www.mondawe.com)

Customer Service: [service@mondawe.com](mailto:service@mondawe.com)


Phone: 888-328-5111

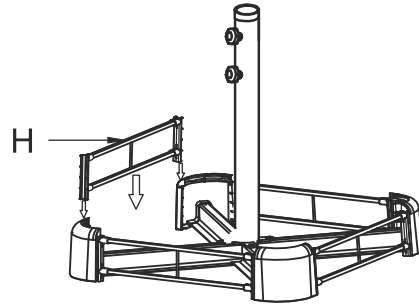
 Stand A	A	1	 Base Cover (Fabric)	K	1
 Stand B	B	1	 Umbrella Body	L	1
 Foot Tube	C	1	 Pole	M	1
 Screw	D	4	 Solar Panel	N	3
 Spacer	E	4			
 Wrench	F	1			
 Corner Protector	G	4			
 Base Frame	H	4			
 Sand Bag (Fabric)	J	2			

	Ax1
	Bx1







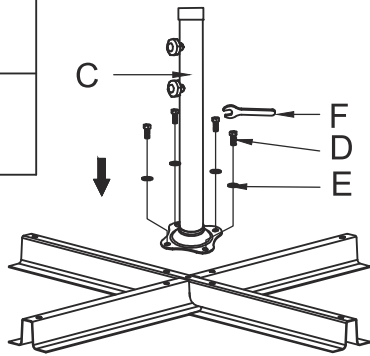
STEP1:

	Hx4
---	-----




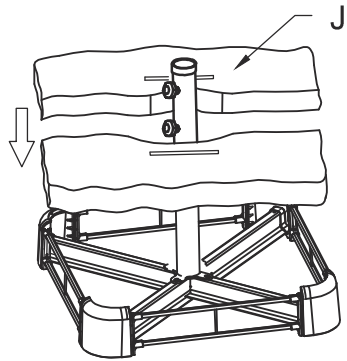
STEP4:

	Cx1
	Dx4
	Ex4
	Fx1



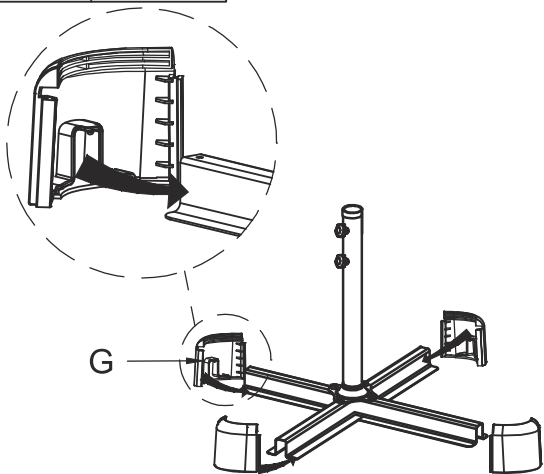
STEP2:

	Jx2
---	-----



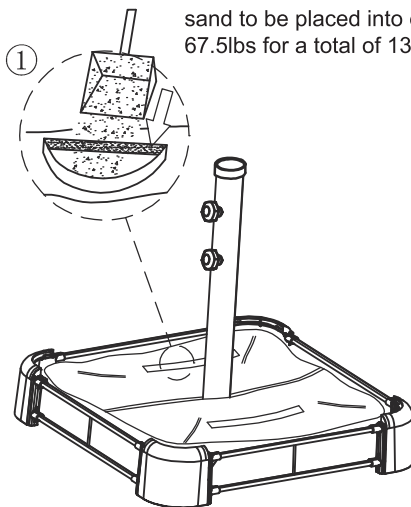
STEP5:

	Gx4
---	-----



STEP3:

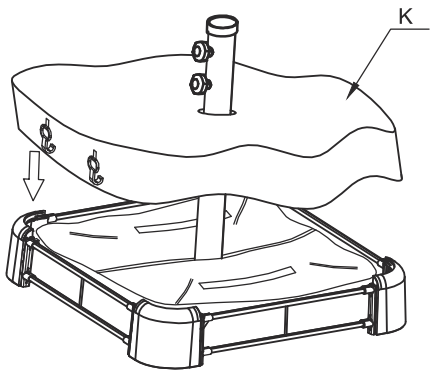
For proper stability of your offset umbrella. The recommended minimum weight of the sand to be placed into each sand bag is 67.5lbs for a total of 135lbs.



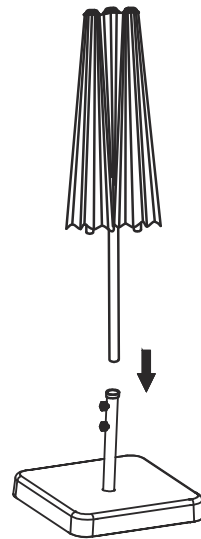
STEP6:



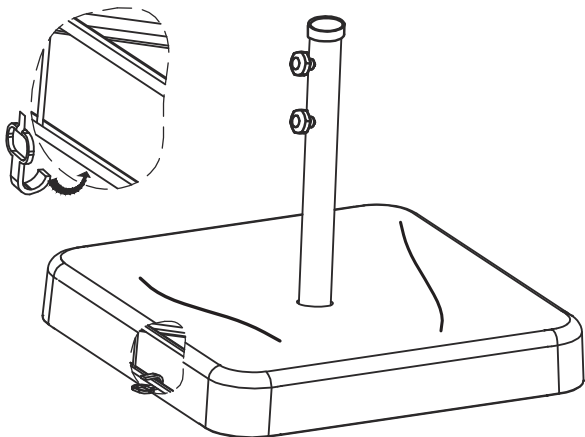
Kx1



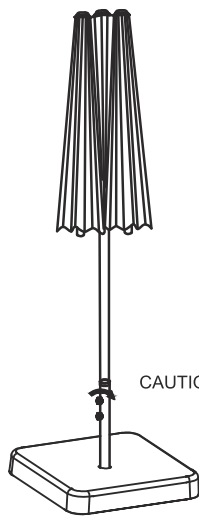
STEP7:



STEP10:



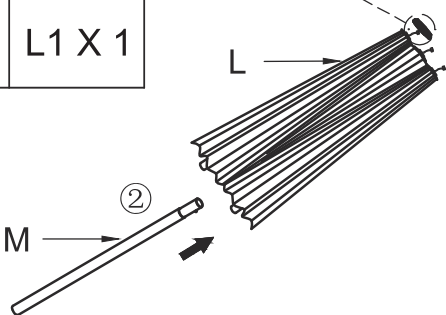
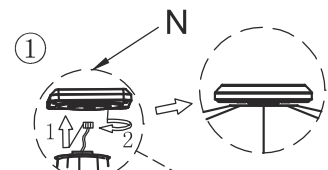
STEP8:



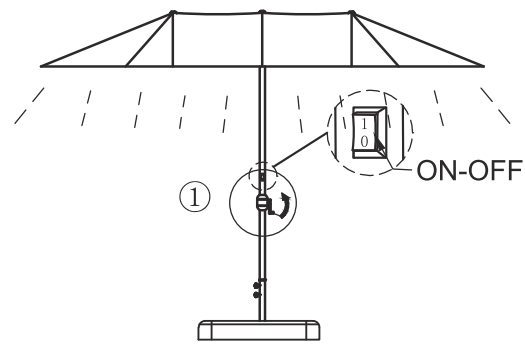
CAUTION: Fully tighten the two bolts.

STEP11:

	Mx1
	Nx3
	L1 X 1



STEP9:



STEP12: