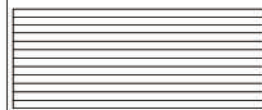


G2 2x



M 4x



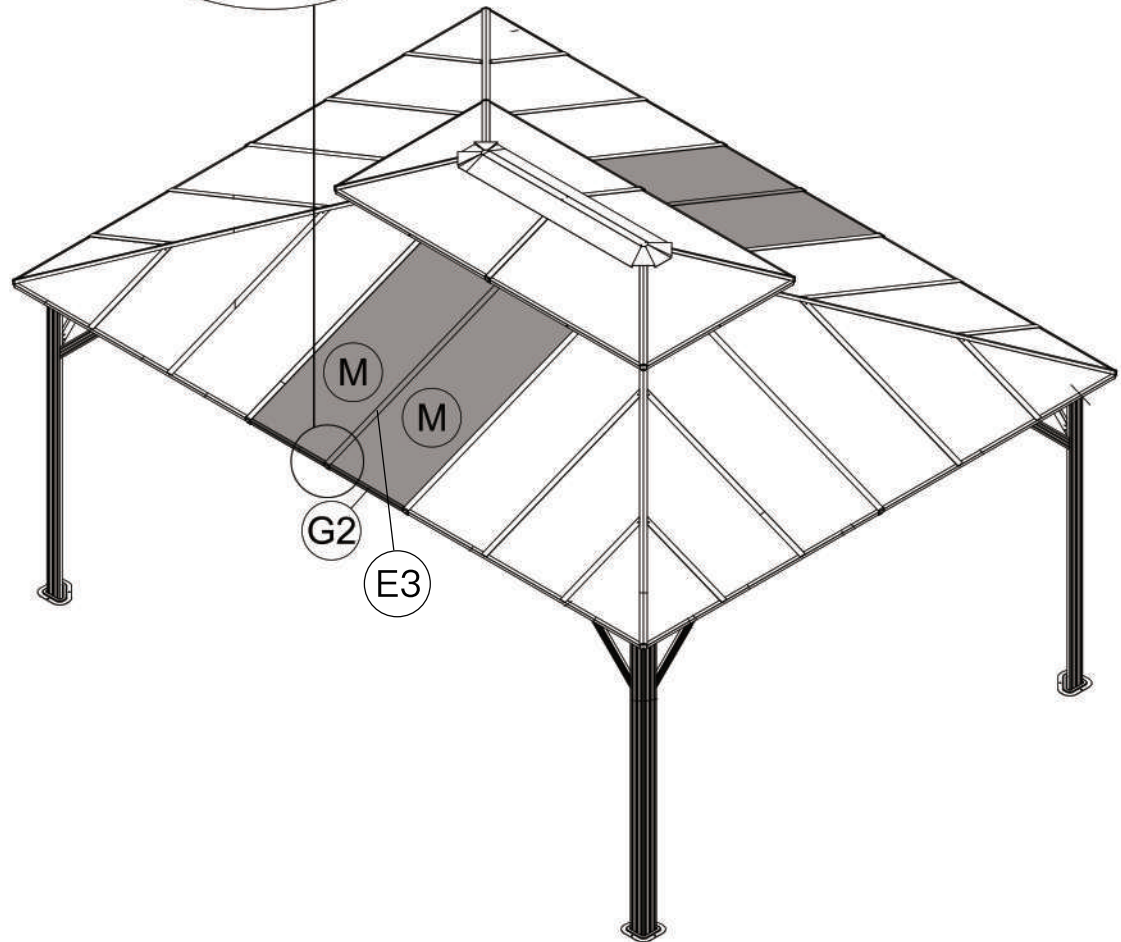
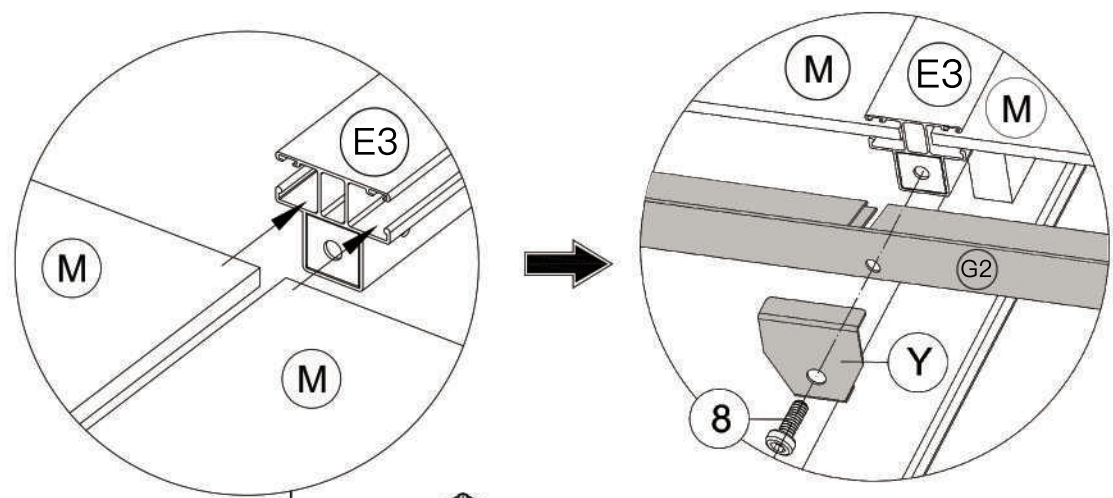
Y 2x



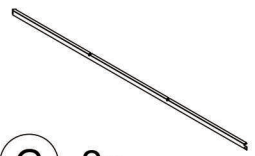
M6x16

8 2x

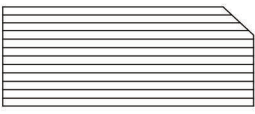
- (1) Insert 2 Parts #M into the frame.
- (2) Place Part #Y on Part #G2 and Part #E3, securing with Bolt #8.
- (3) Repeat these procedures to assemble the another side.



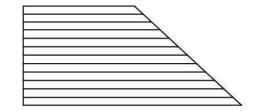
(1) Insert Part #L, Part #L1 and Part #L2 into the frame.



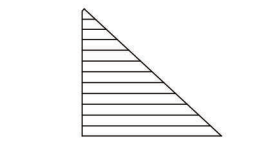
G 2x



L 2x



L1 2x



L2 2x



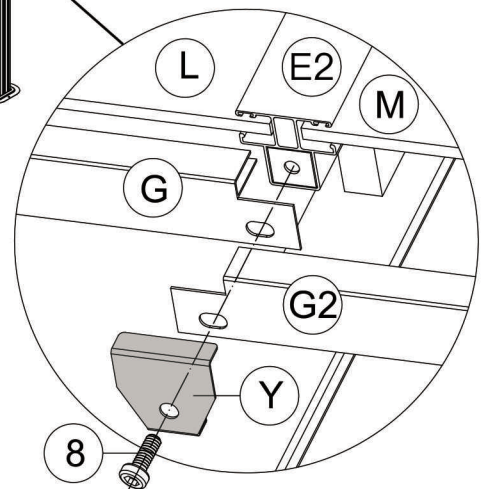
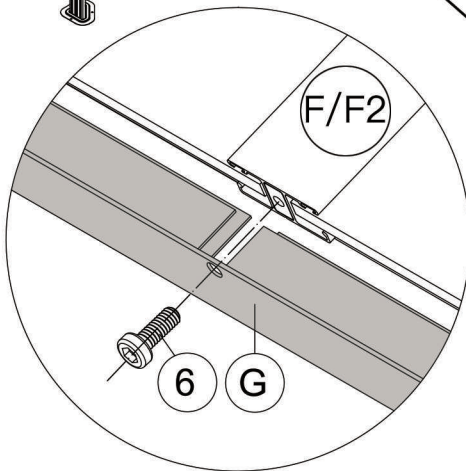
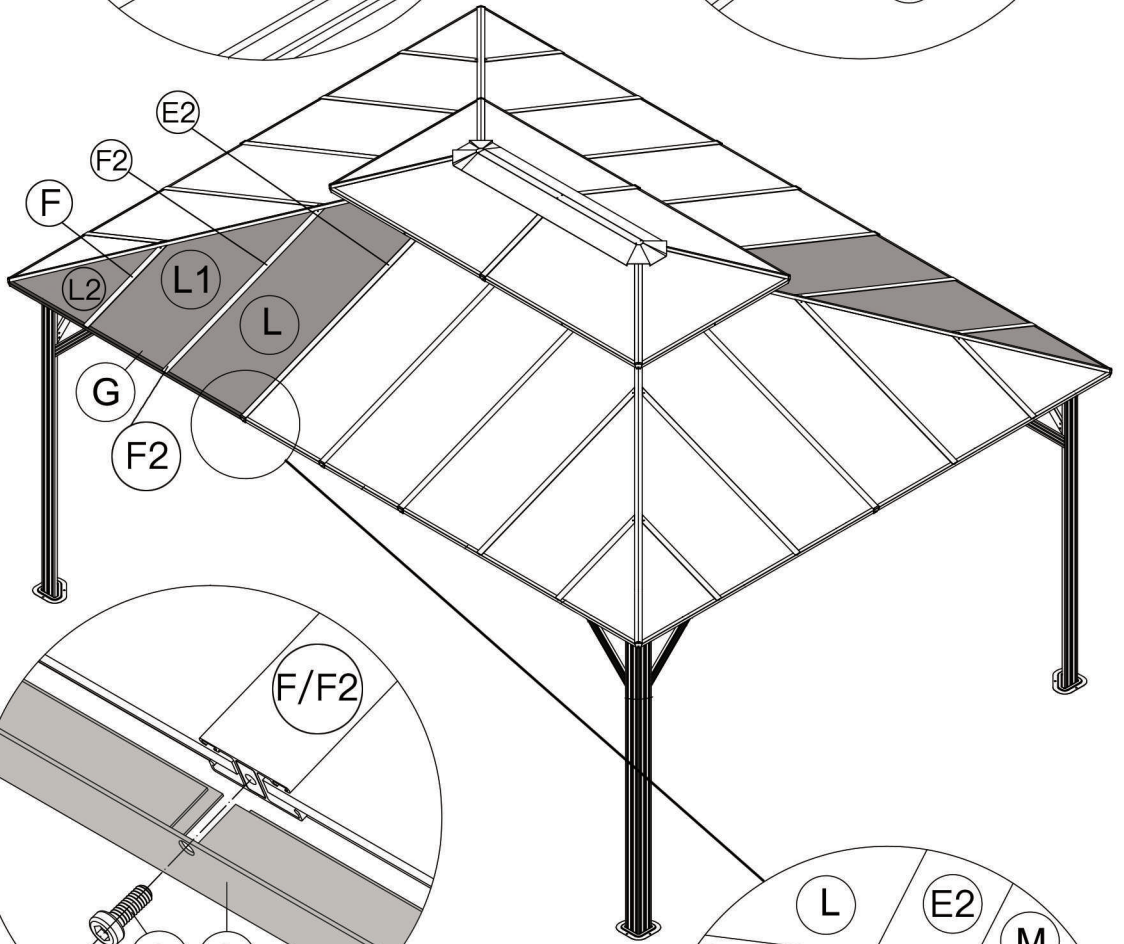
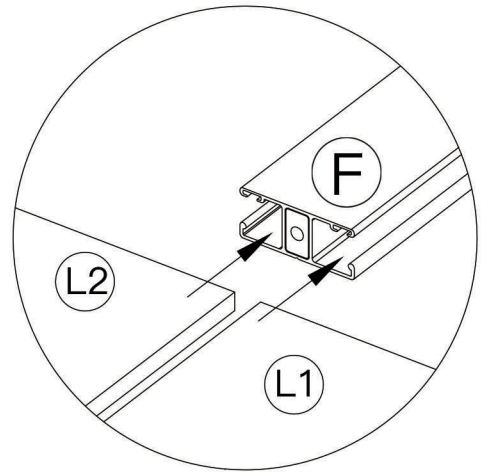
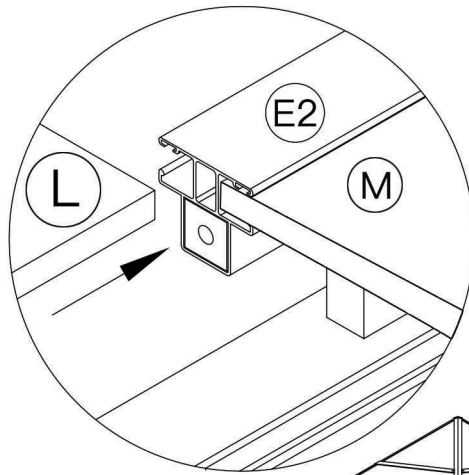
Y 2x



6 4X



8 2x

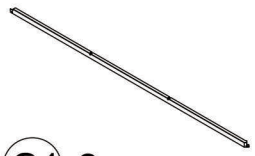


(2) Attach Part #G to the frame, securing with Bolt #6.

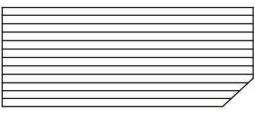
(3) Place Part #G and Part #G2 on Part #E2; put on part#Y and secure with Bolt #8.

(4) Repeat these procedures to assemble the another side.

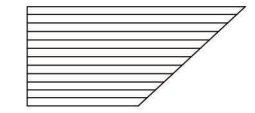
(1) Insert Part #N, Part #N1 and Part #N2 into the frame.



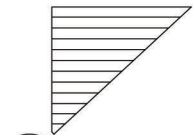
G1 2x



N 2x



N1 2x



N2 2x



Y 2x



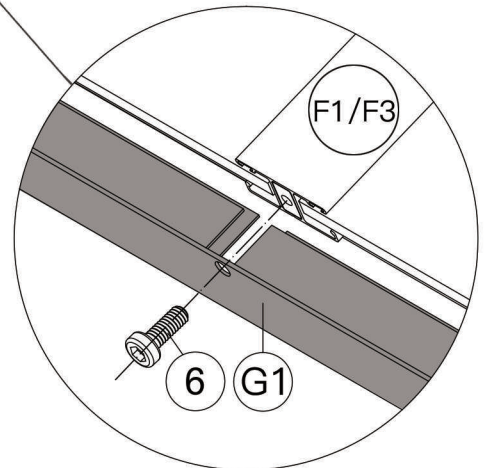
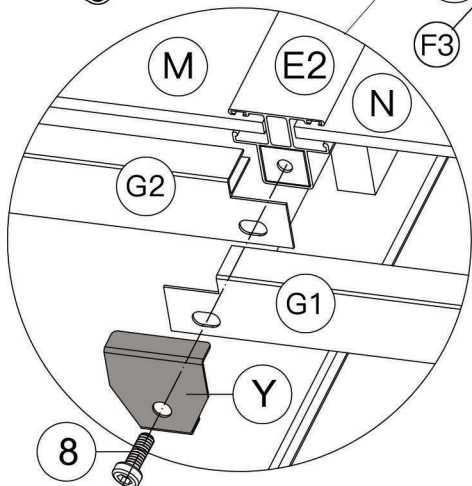
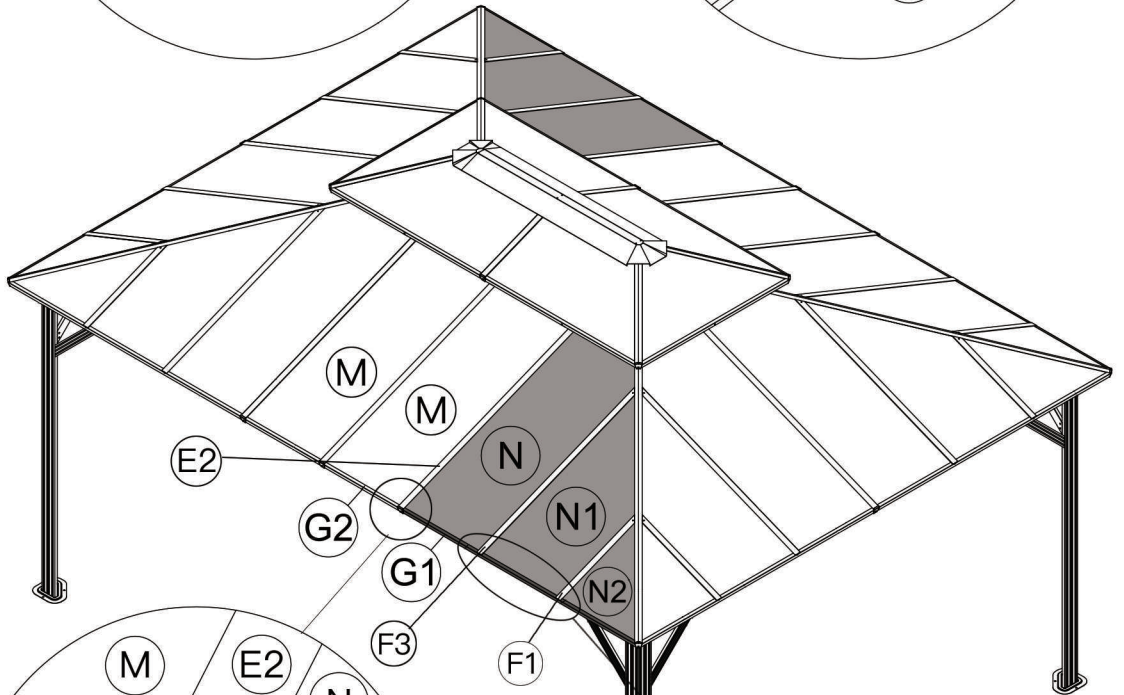
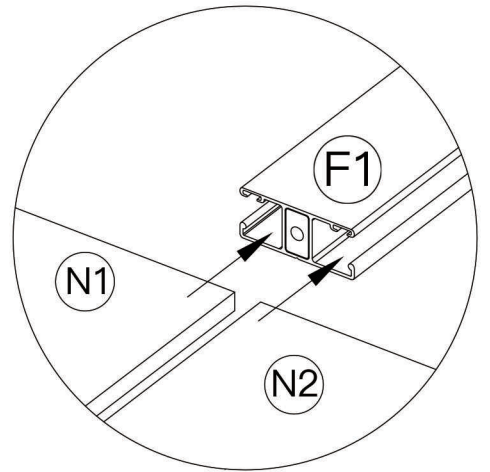
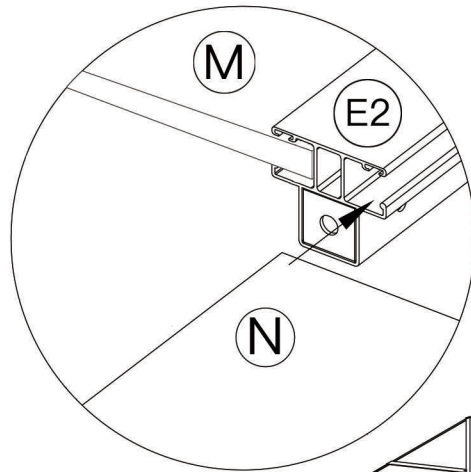
M5x12

6 4X



M6x16

8 2x

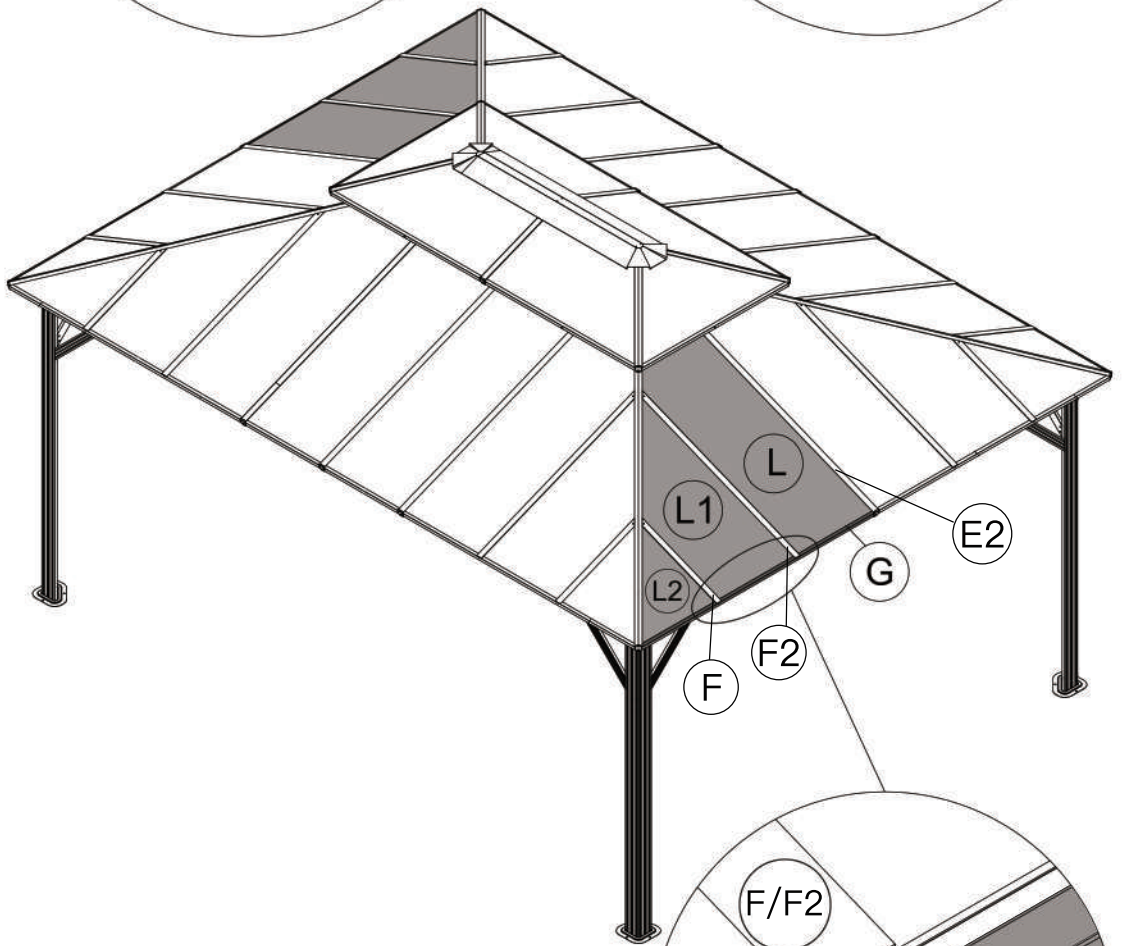
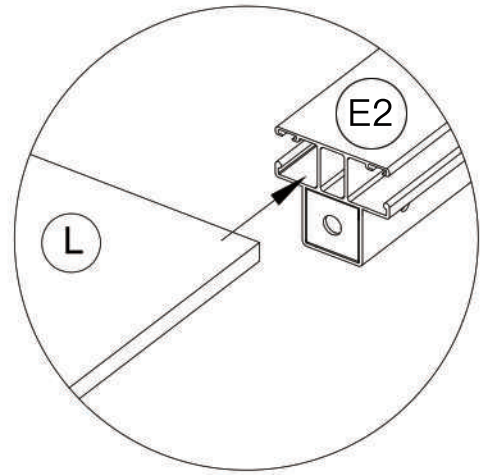
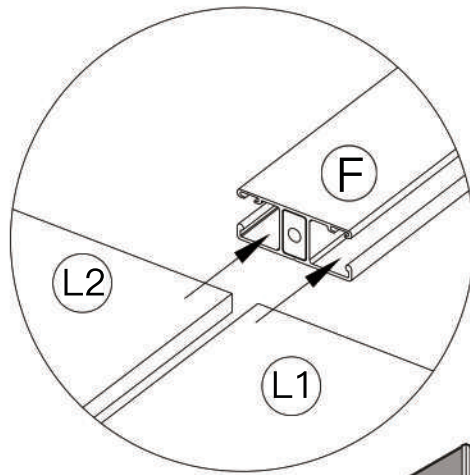
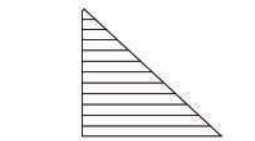
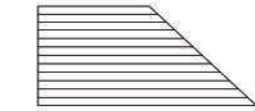
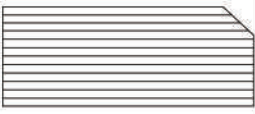
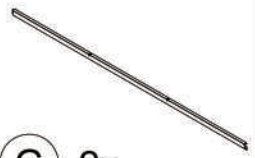


(3) Place Part #G1 and Part #G2 on Part #E2; put on part#Y and secure with Bolt #8.

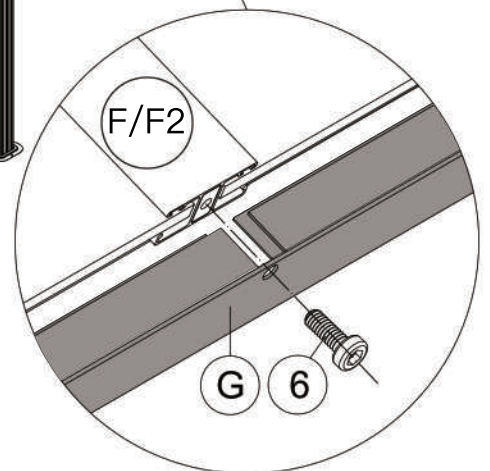
(2) Attach Part #G1 to the frame, securing with Bolt #6.

(4) Repeat these procedures to assemble the another side.

(1) Insert Part #L, Part #L1 and Part #L2 into the frame.

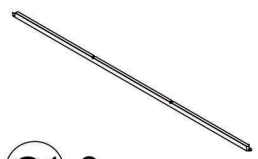


(2) Attach Part #G to the frame, securing with Bolt #6.

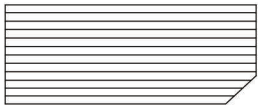


(3) Repeat these procedures to assemble the another side.

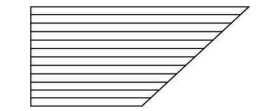
(1) Insert Part #N, Part #N1 and Part #N2 into the frame.



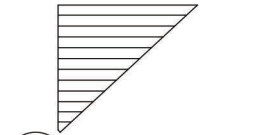
G1 2x



N 2x



N1 2x

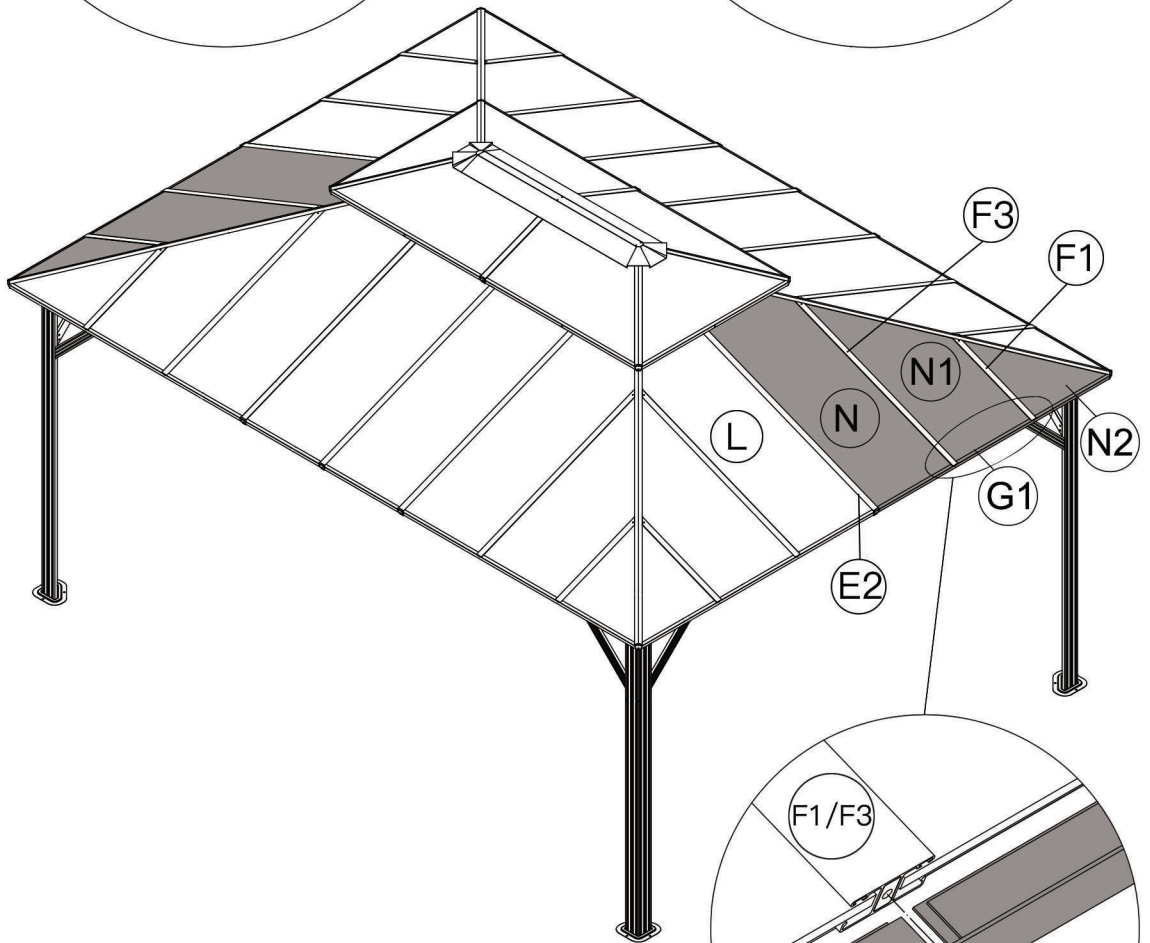
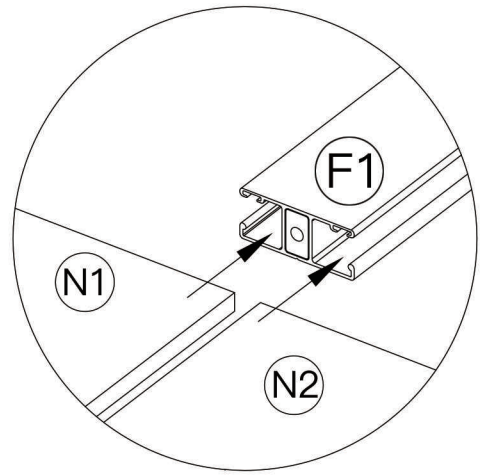
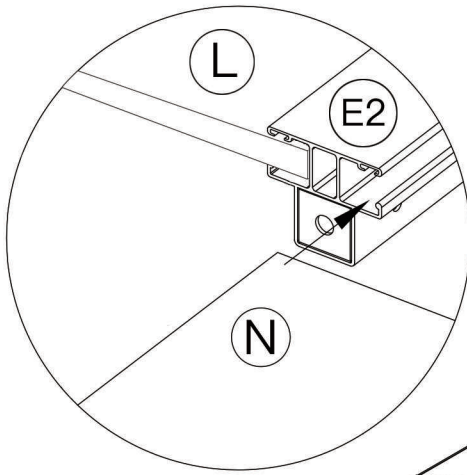


N2 2x

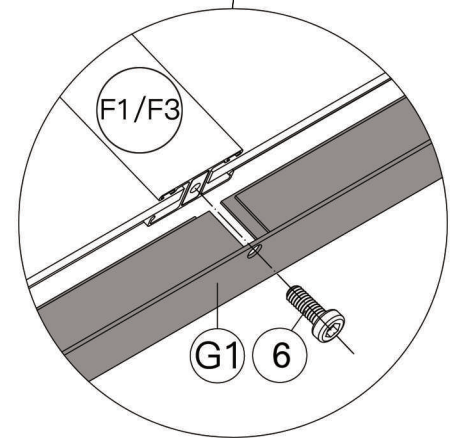


M5x12

6 4x



(2) Attach Part #G1 to the frame, securing with Bolt #6.



(3) Repeat these procedures to assemble the another side.

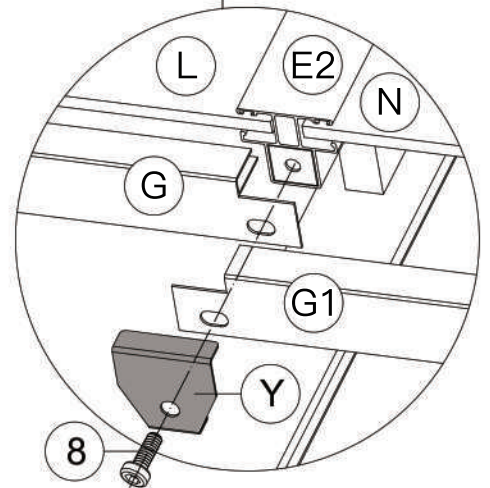
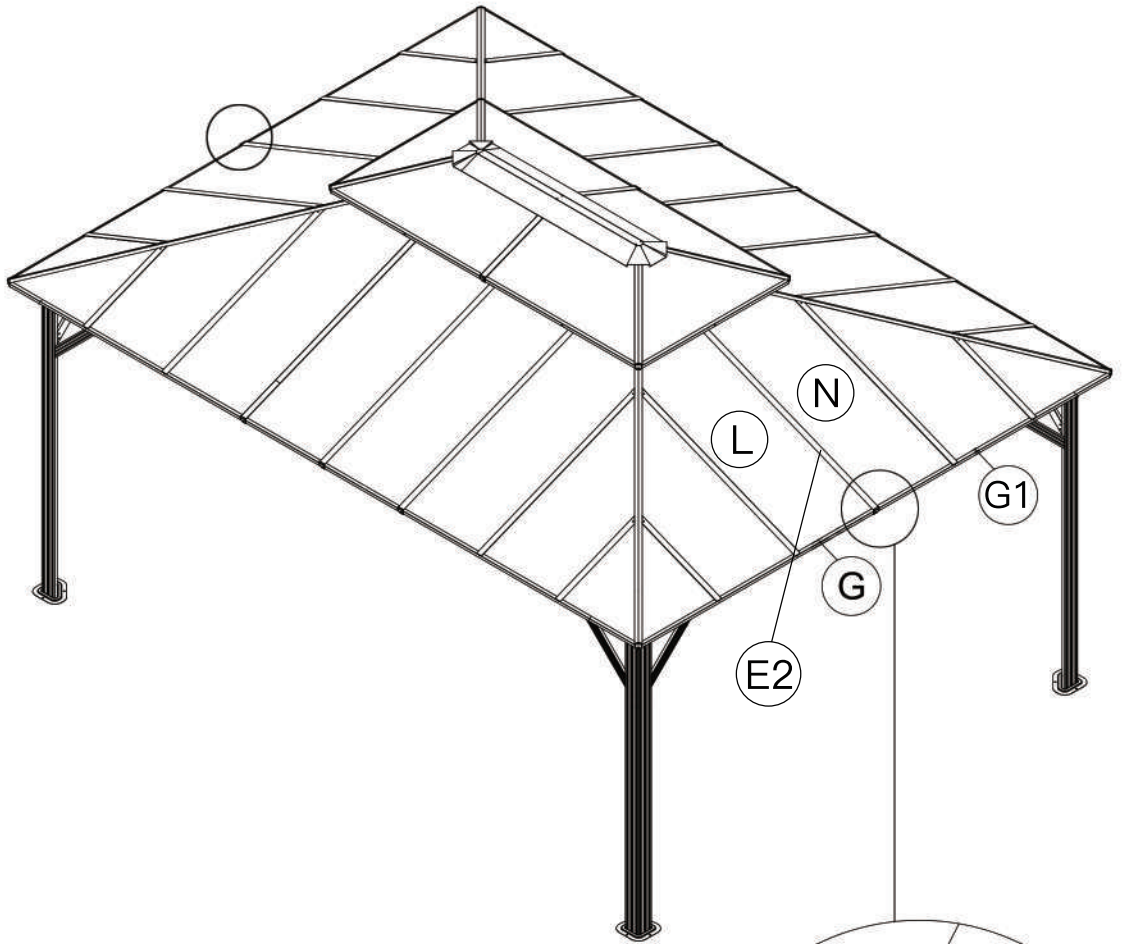


Y 2x



M6x16

8 2x



(1) Place Part #G and Part #G1 on Part #E2; put on part #Y and secure with Bolt #8.

(2) Repeat these procedures to assemble the another side.

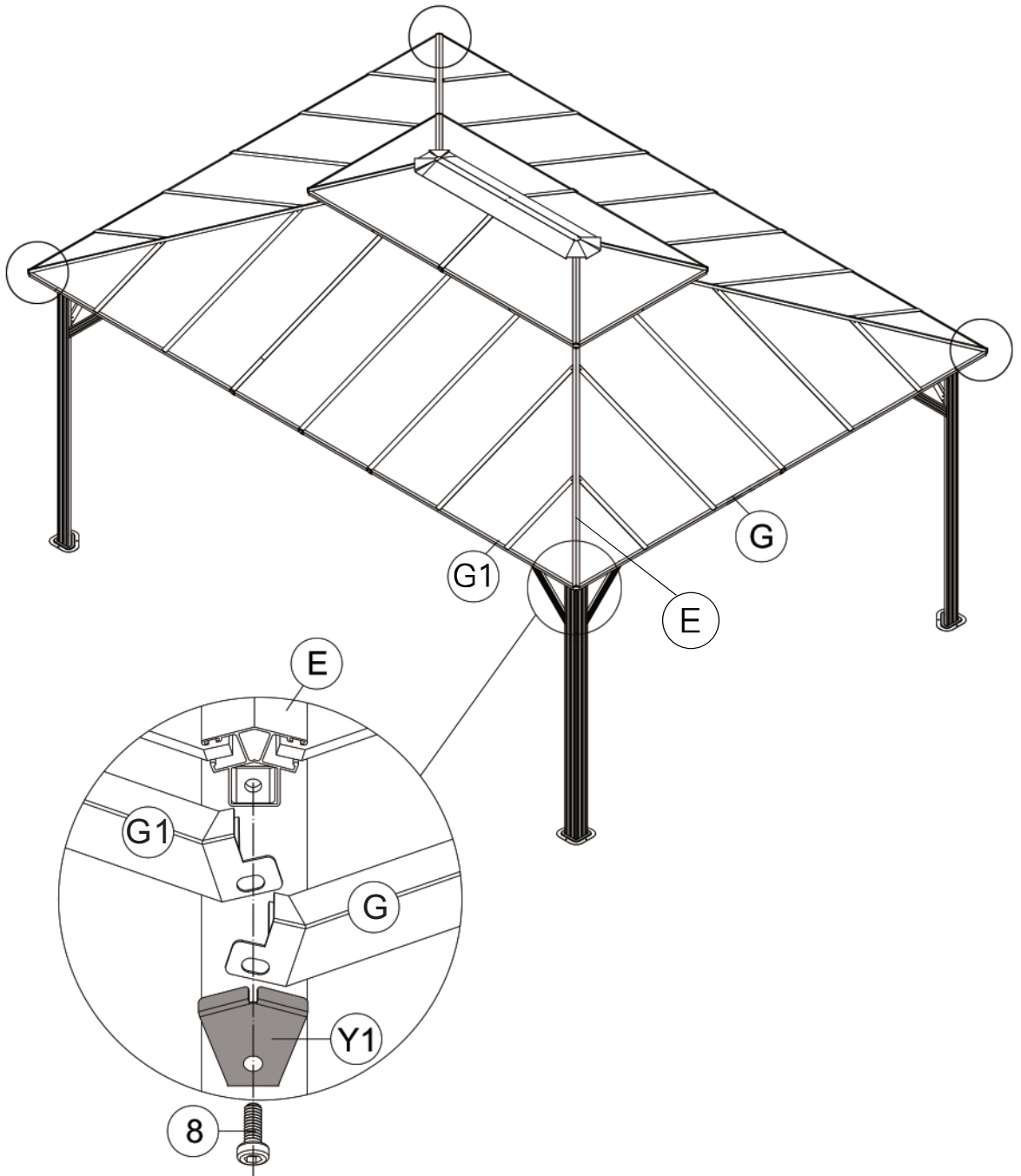


Y1 4x



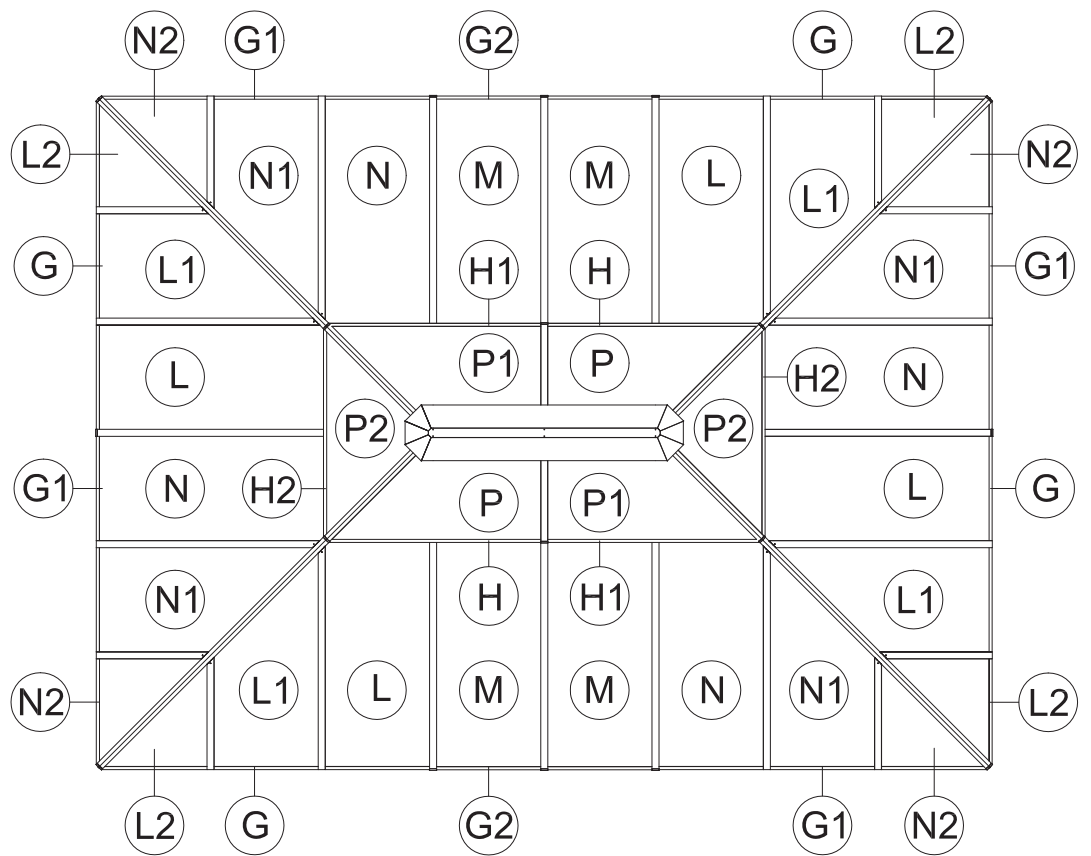
M6x16

8 4x



(1) Place Part #G and Part #G1 on Part #E;
put on part #Y1 and secure with Bolt #8.

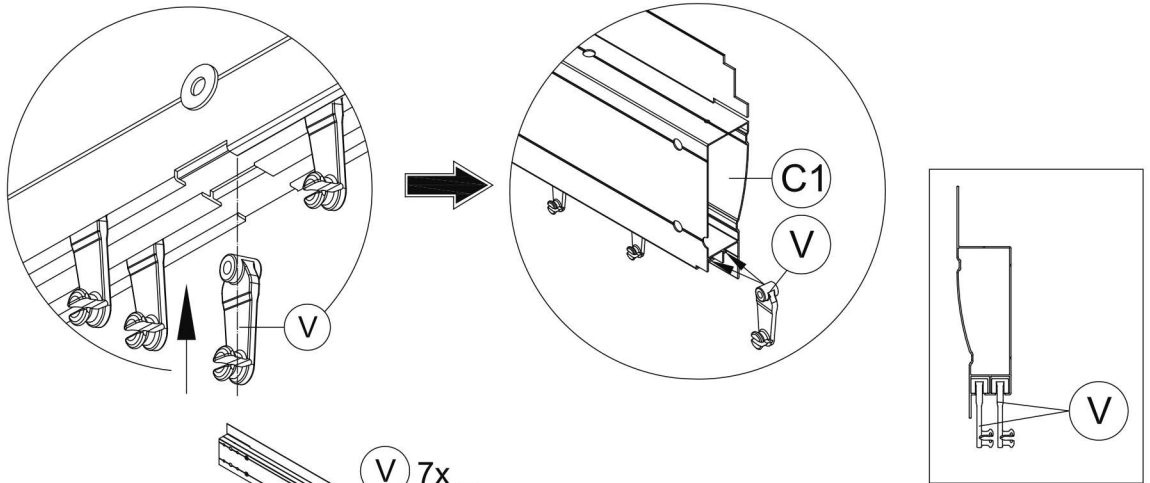
(2) Repeat these procedures to assemble the other three corners.



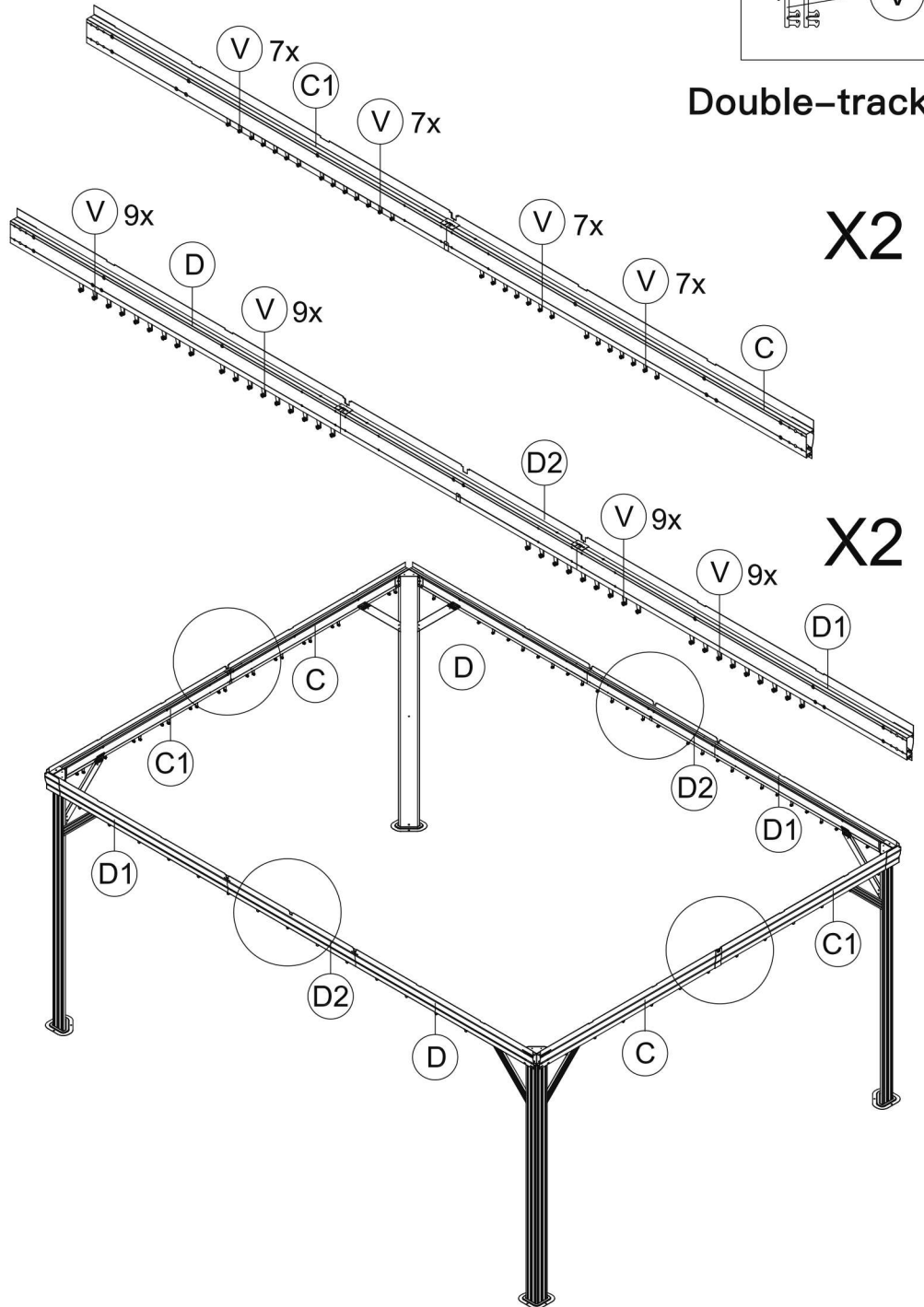


V 128 x

- (1) Place 7 hooks on each slot of the Sidewall Track (C1&C).
- (2) Place 9 hooks on each slot of the Sidewall Track (D&D1&D2).



Double-track





S4

1 1x



W 2x

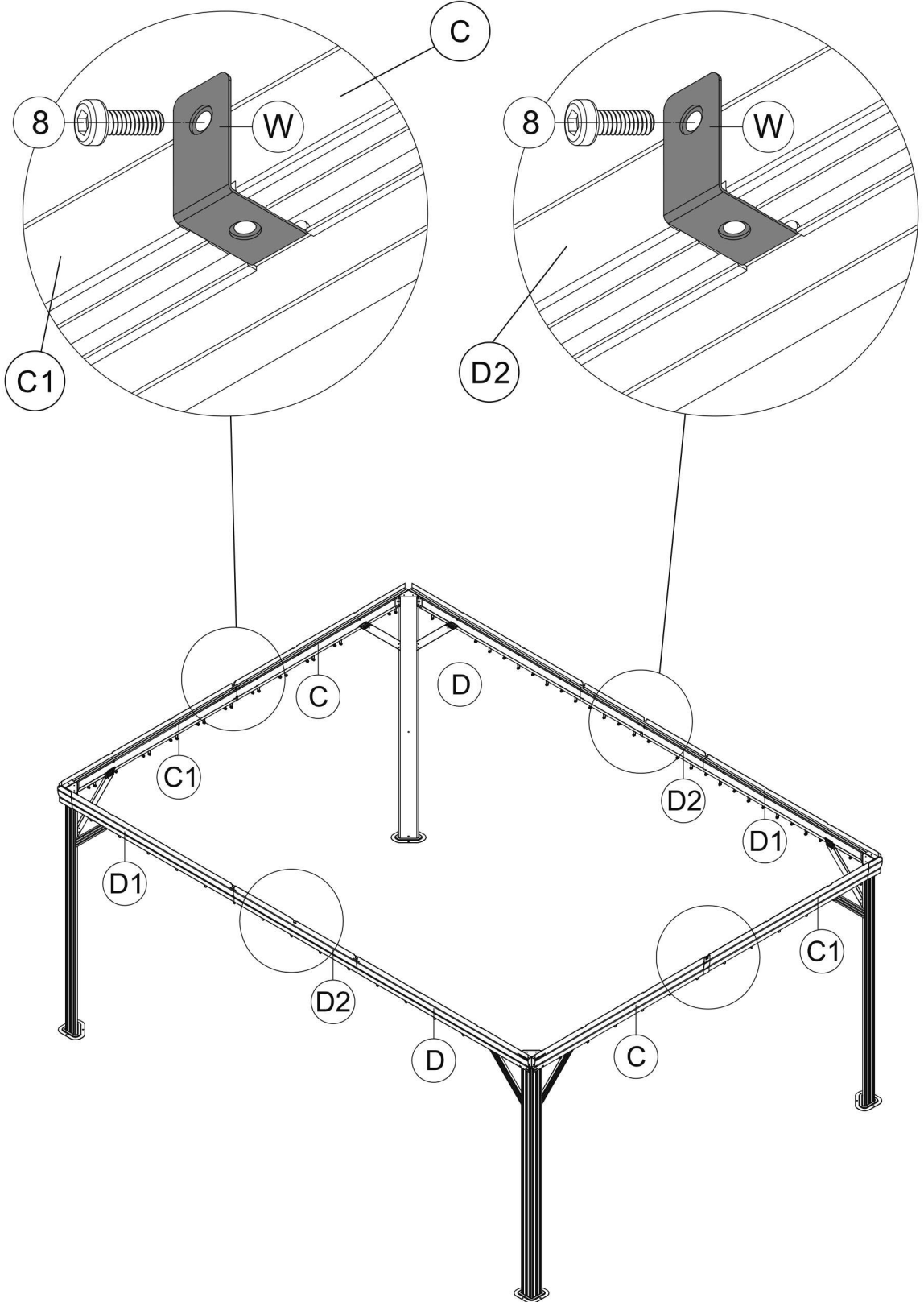


M6x16

8 4x

(1) Install Part #W at the joint of Part #C & C1 with Bolts #8;
Install Part #W at the joint of Part #D2 with Bolts #8.

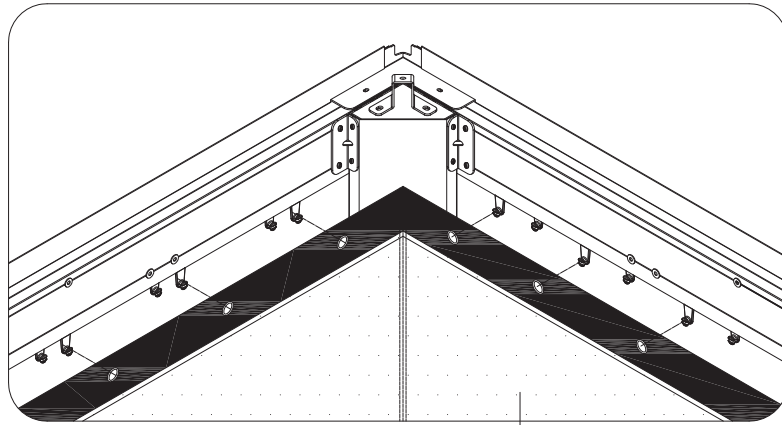
(2) Repeat the above procedures to assemble another side.



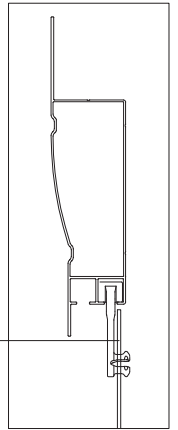


Z1 4x

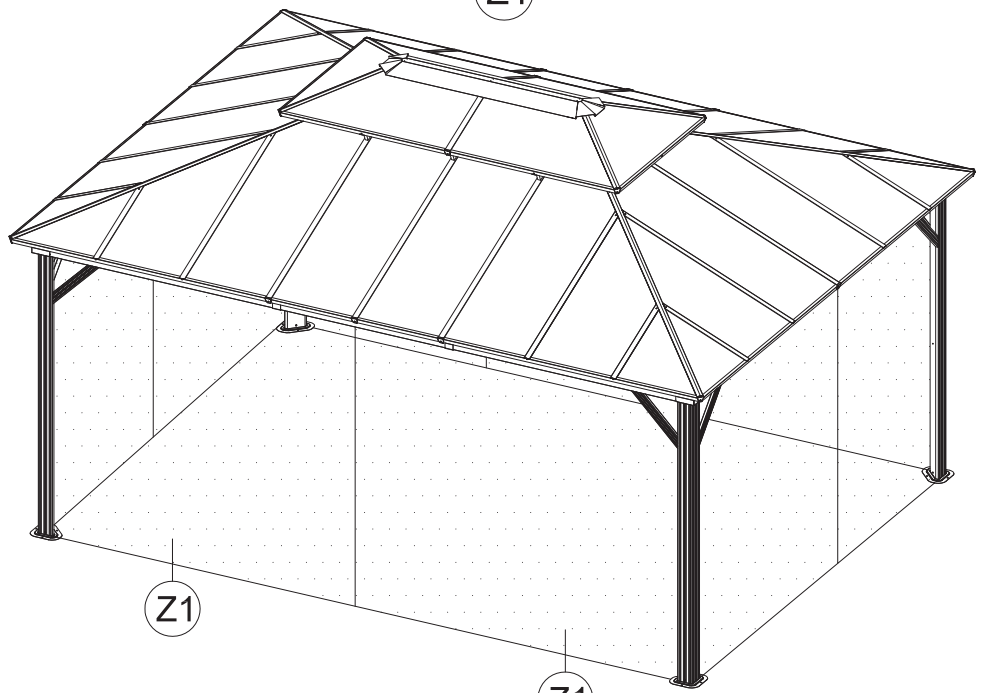
Hang up mosquito sidewalls to inside track.



Z1

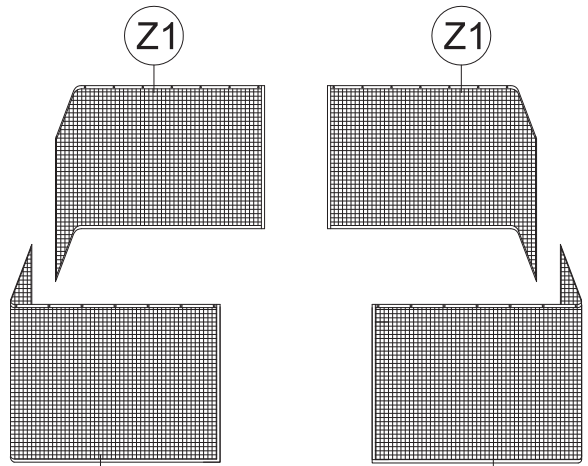


Z1



Z1

Z1

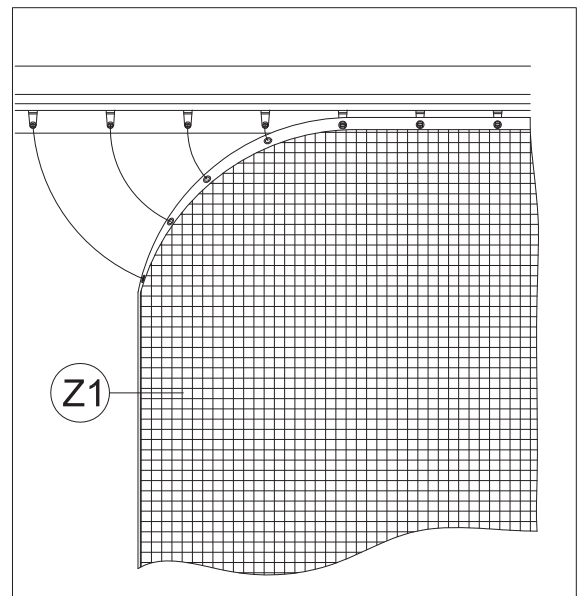


Z1

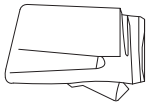
Z1

Z1

Z1



Z1



Z 4x

Hang up mosquito sidewalls to outside track.

