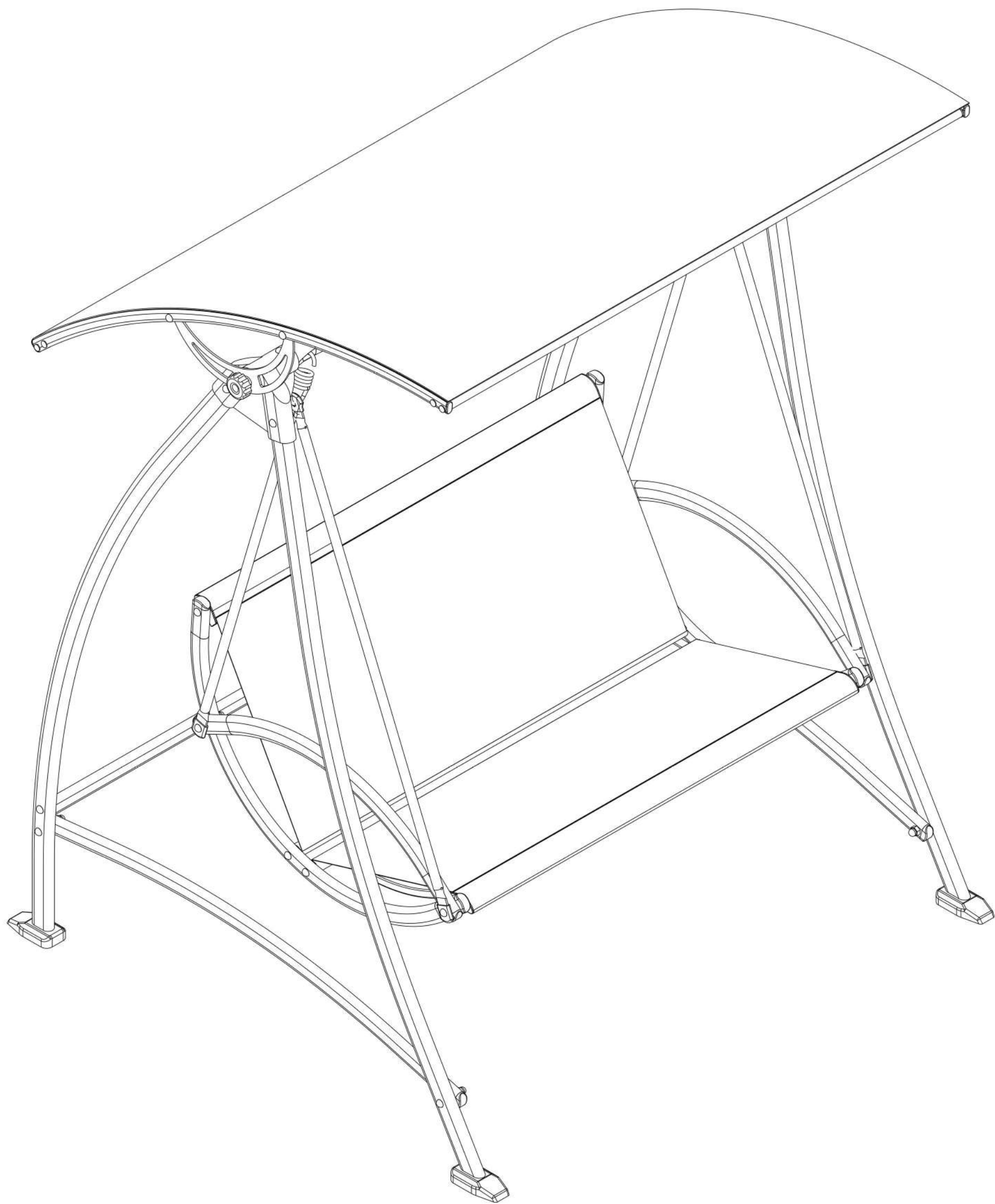
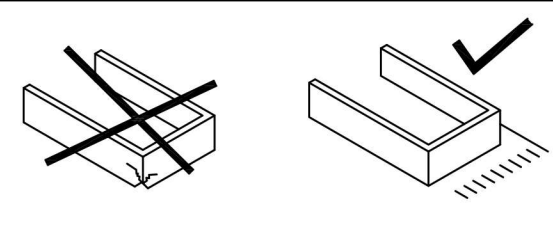
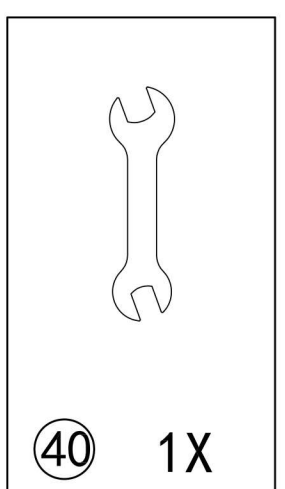
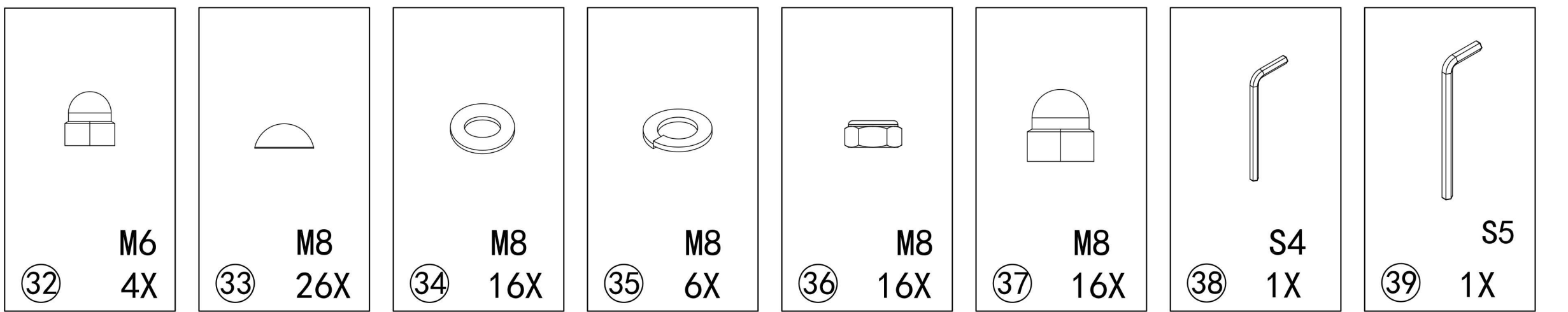
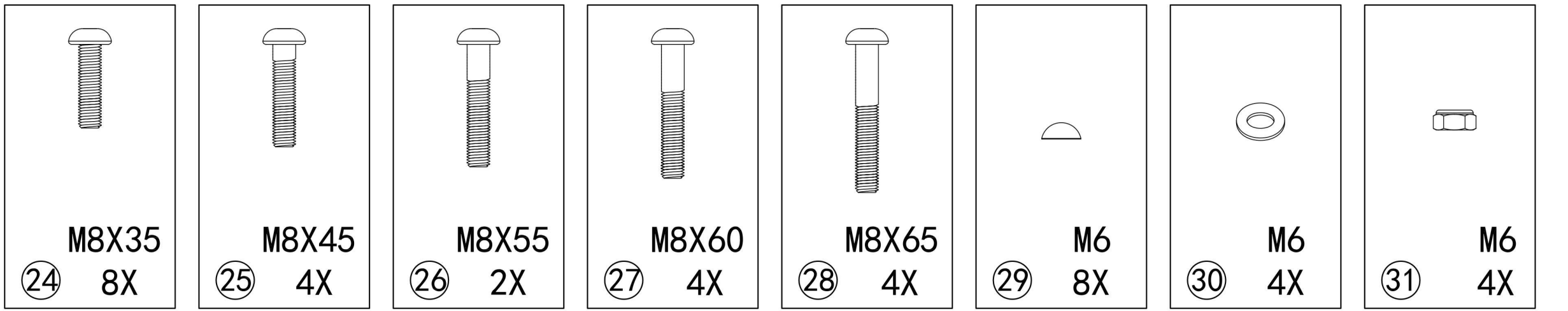
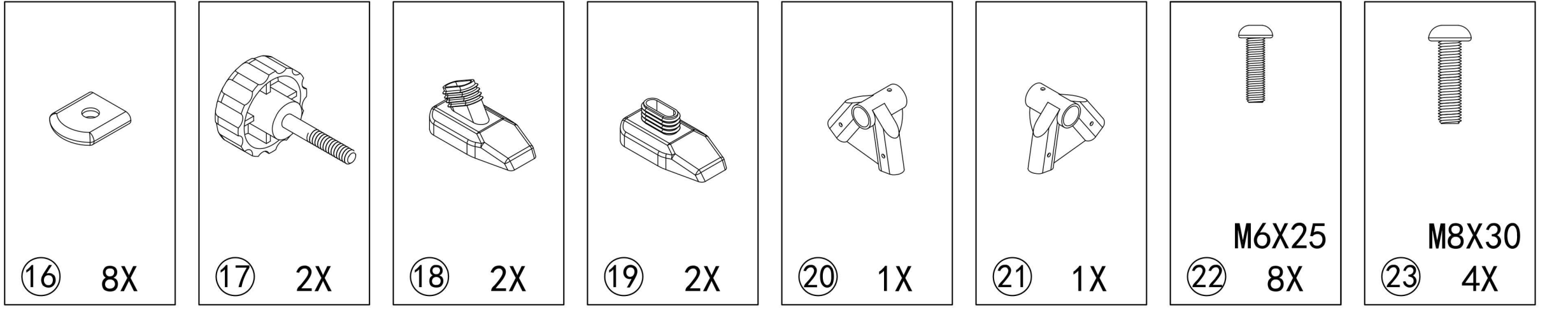
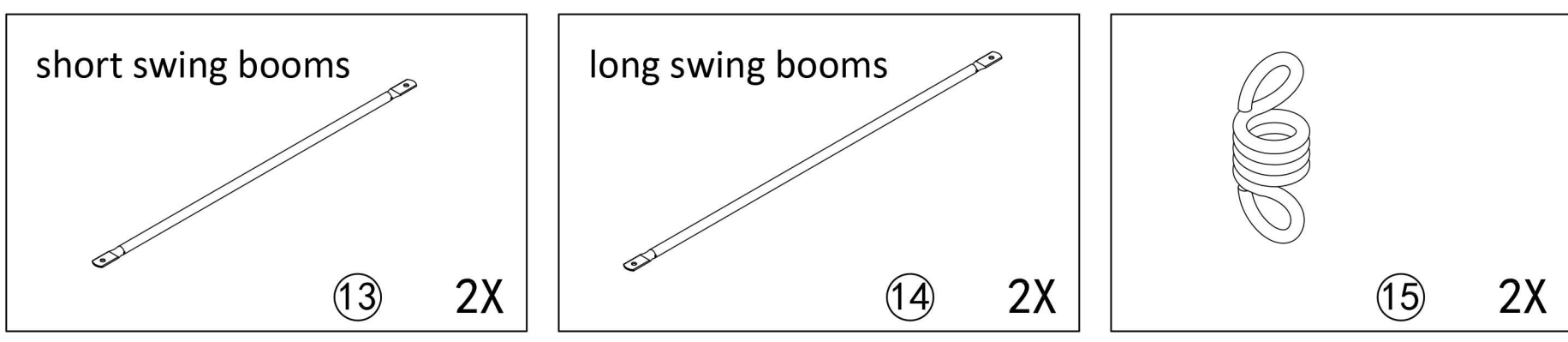
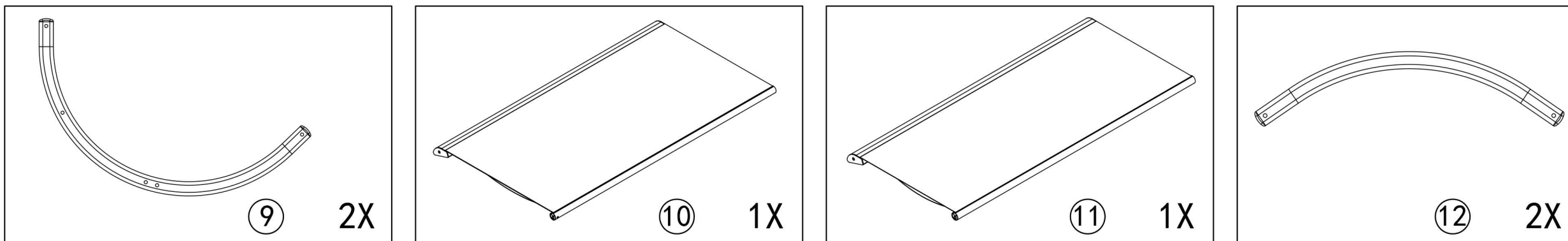
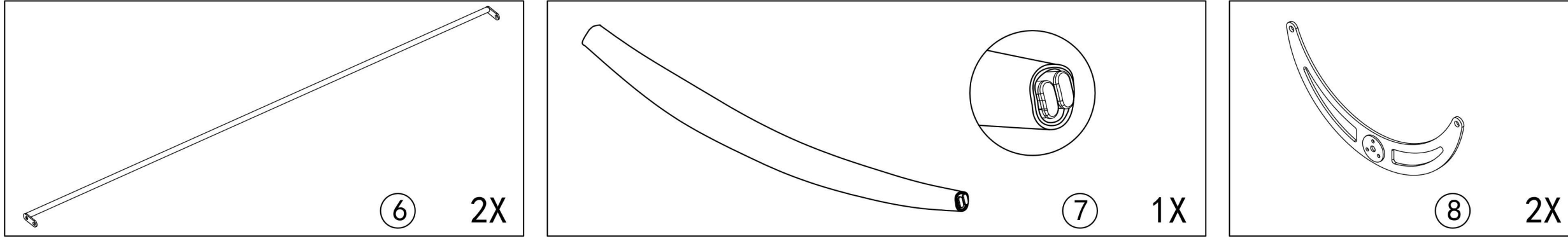
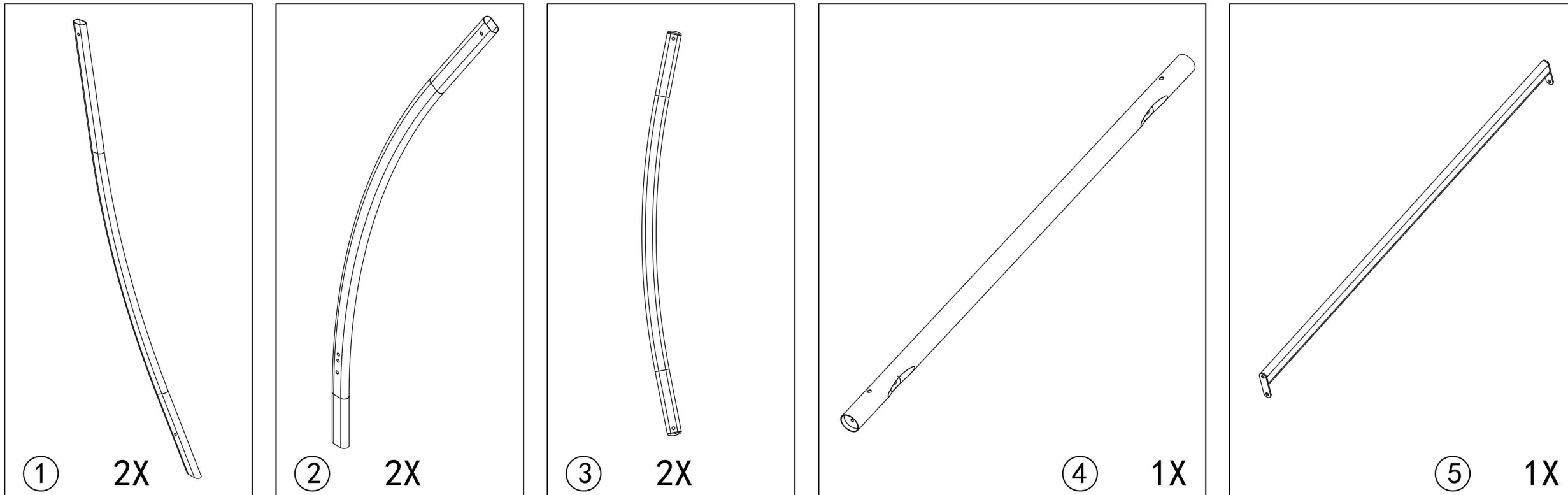


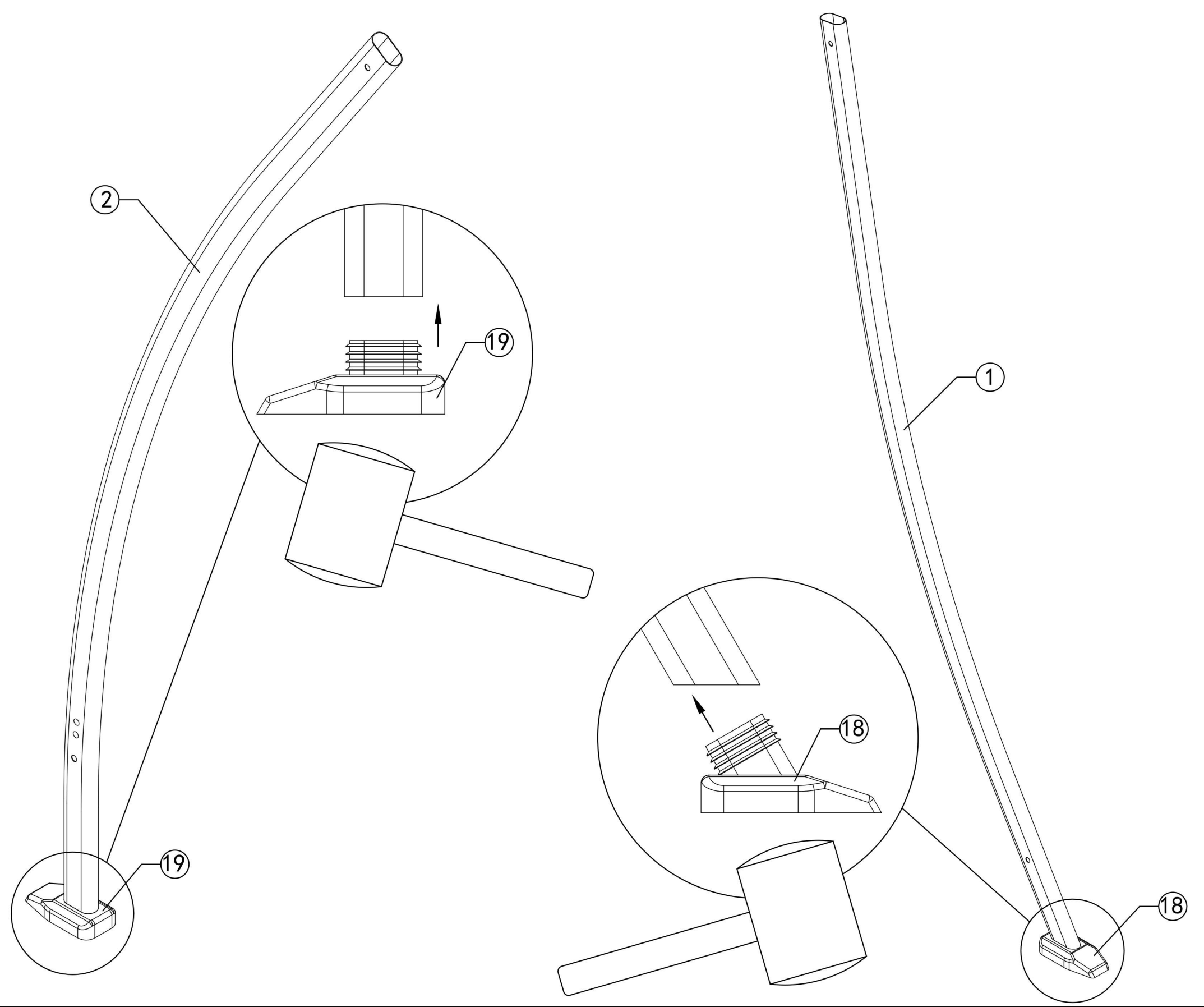
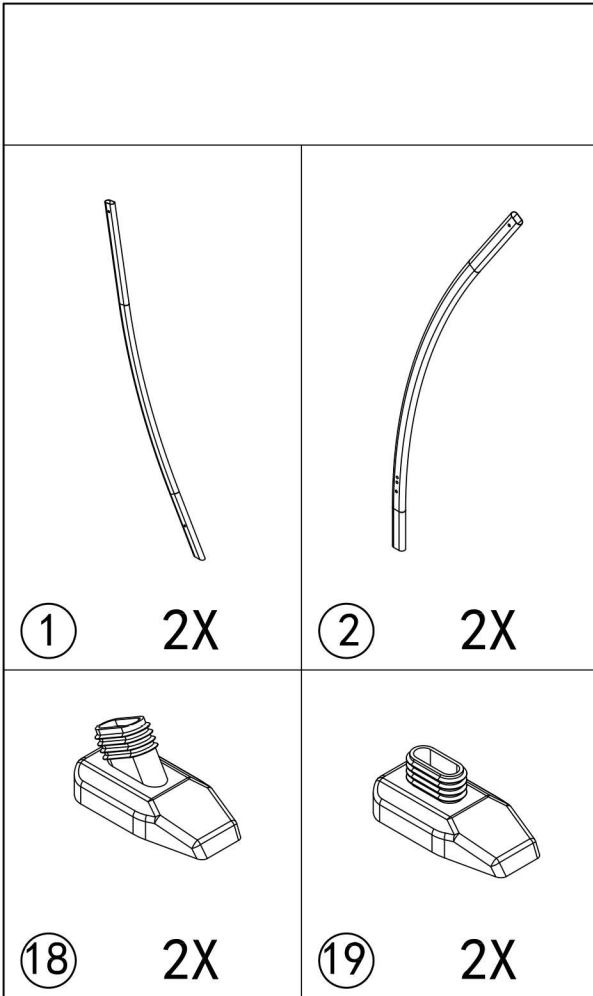
2-Person Patio Porch Swing

Assembly Instructions

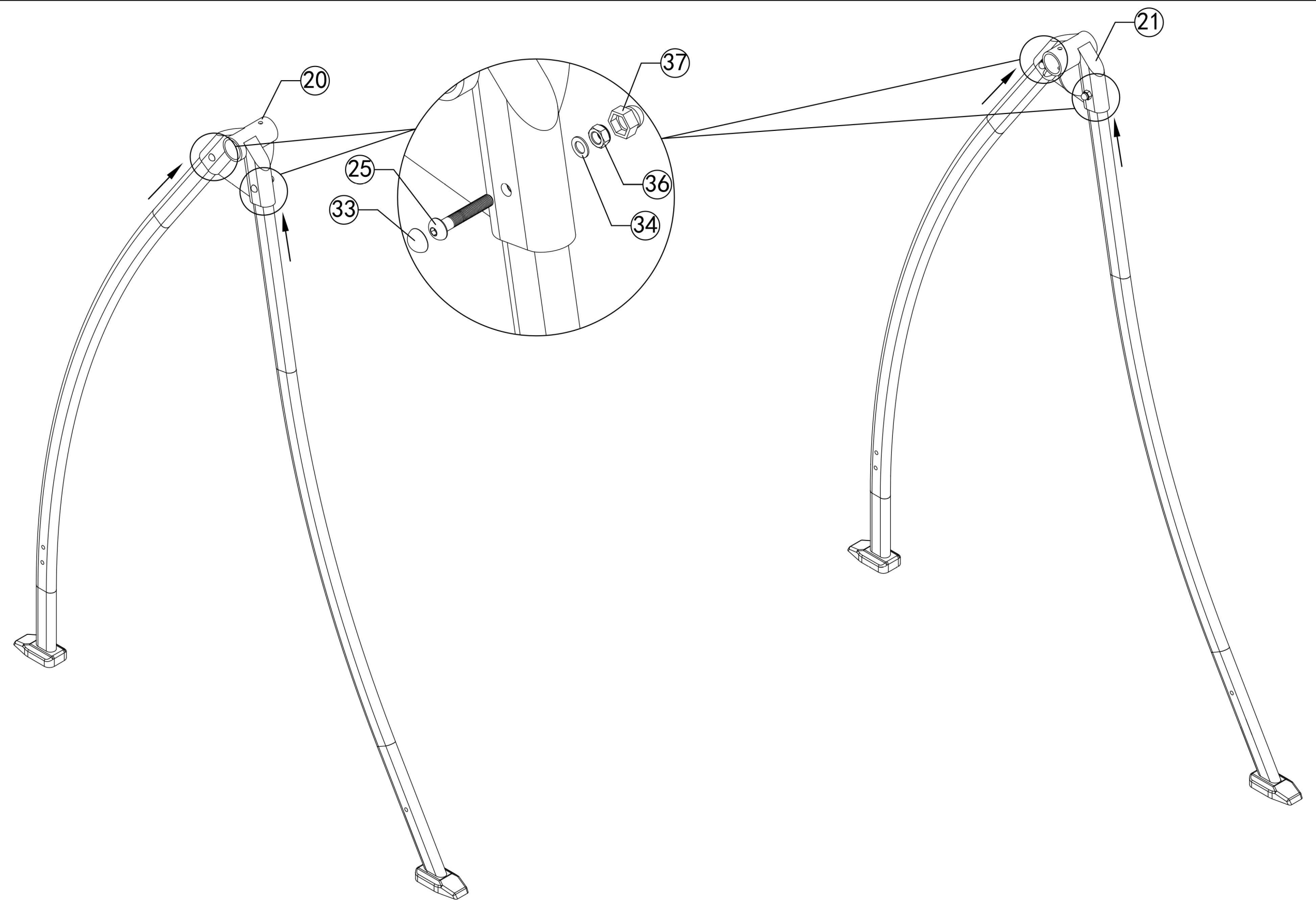
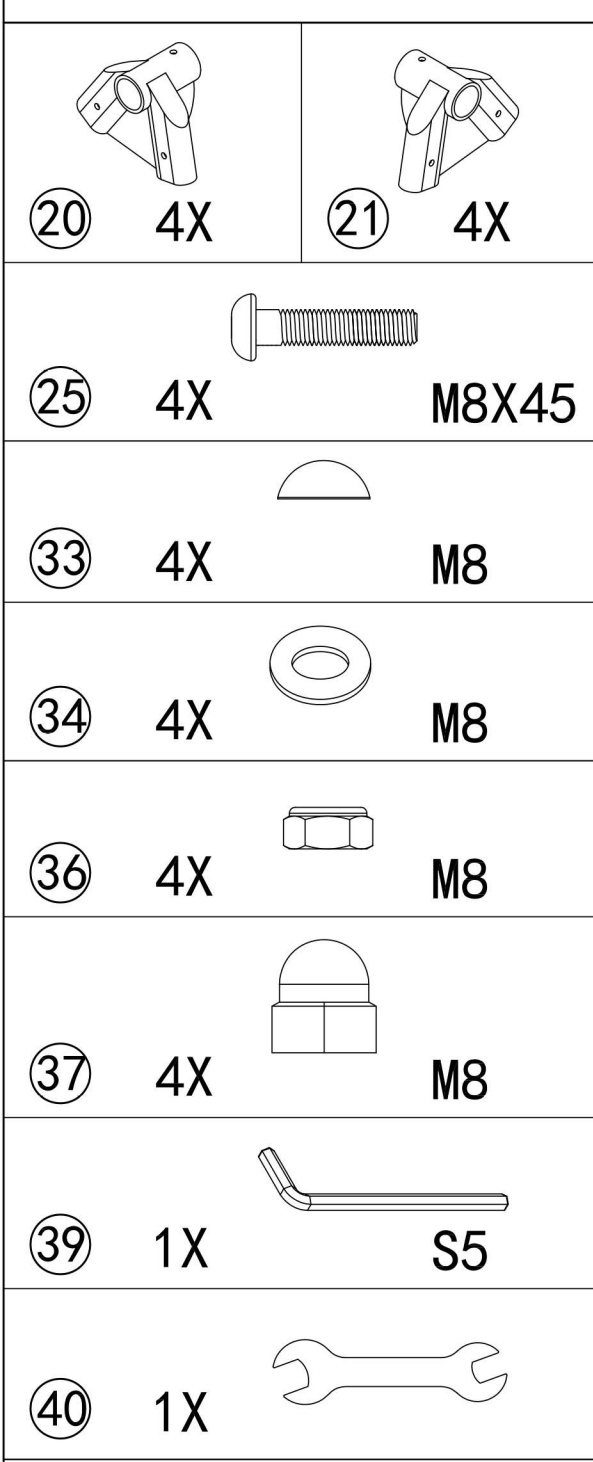


Please ensure all parts listed included before assembly and feel free to contact us if there are any problems.



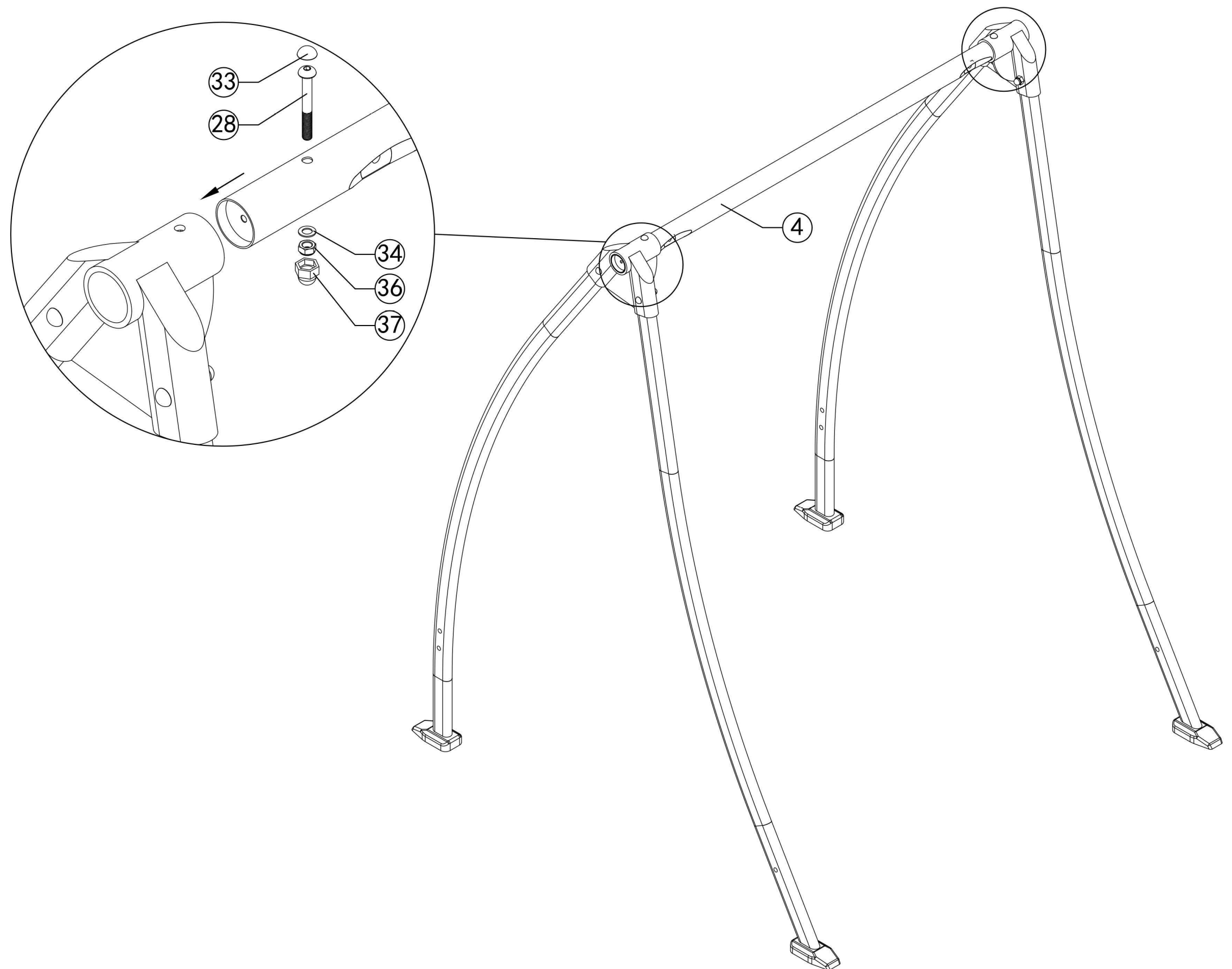


Step 1: Please find the required parts according to the instructions in the left frame, prepare a wooden hammer, and knock the plastic foot pad (Part 18) into the leg tube (Part 1), knock Part 19 into the Part 2 as shown.



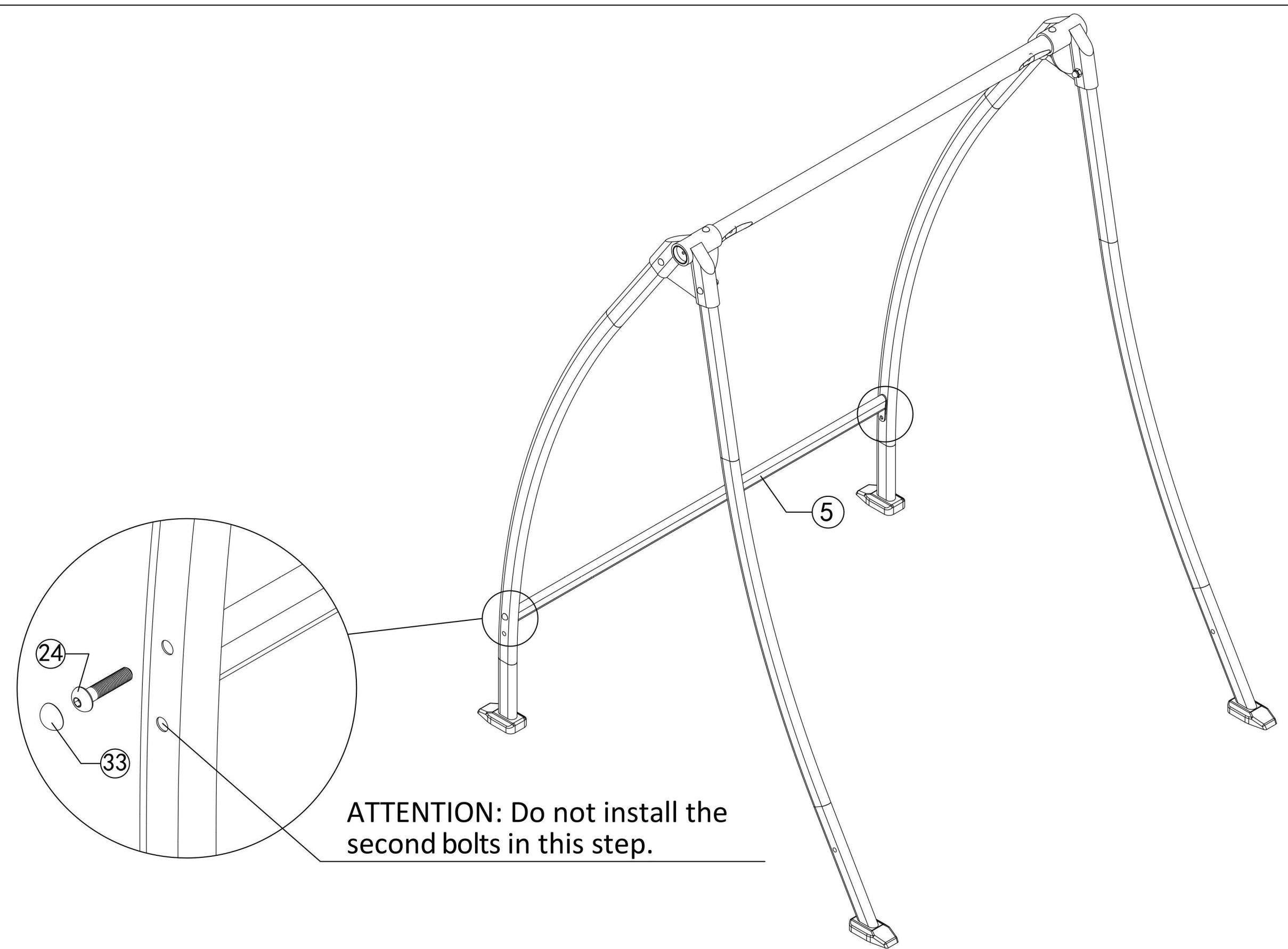
Step 2: Put the front and rear leg tubes (Part 1 is front leg tube, Part 2 is rear leg tube) into the fixator (Part 20 and Part 21) as shown, and secure with bolts and nuts as required (After all the bolts are assembled in place, tighten them together, finally cover the caps).

- ④ 1X
- ②⑧ 2X M8X65
- ③③ 2X M8
- ③④ 2X M8
- ③⑥ 2X M8
- ③⑦ 2X M8
- ③⑨ 1X S5
- ④① 1X





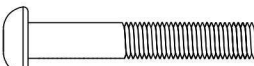


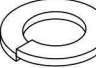
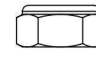


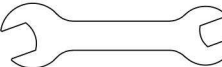
Step 3: Put the beam(Part 4) assembly into the fixator according as shown, and secure with bolts and nuts as required (After all the bolts are assembled in place, tighten them together, finally cover the caps).

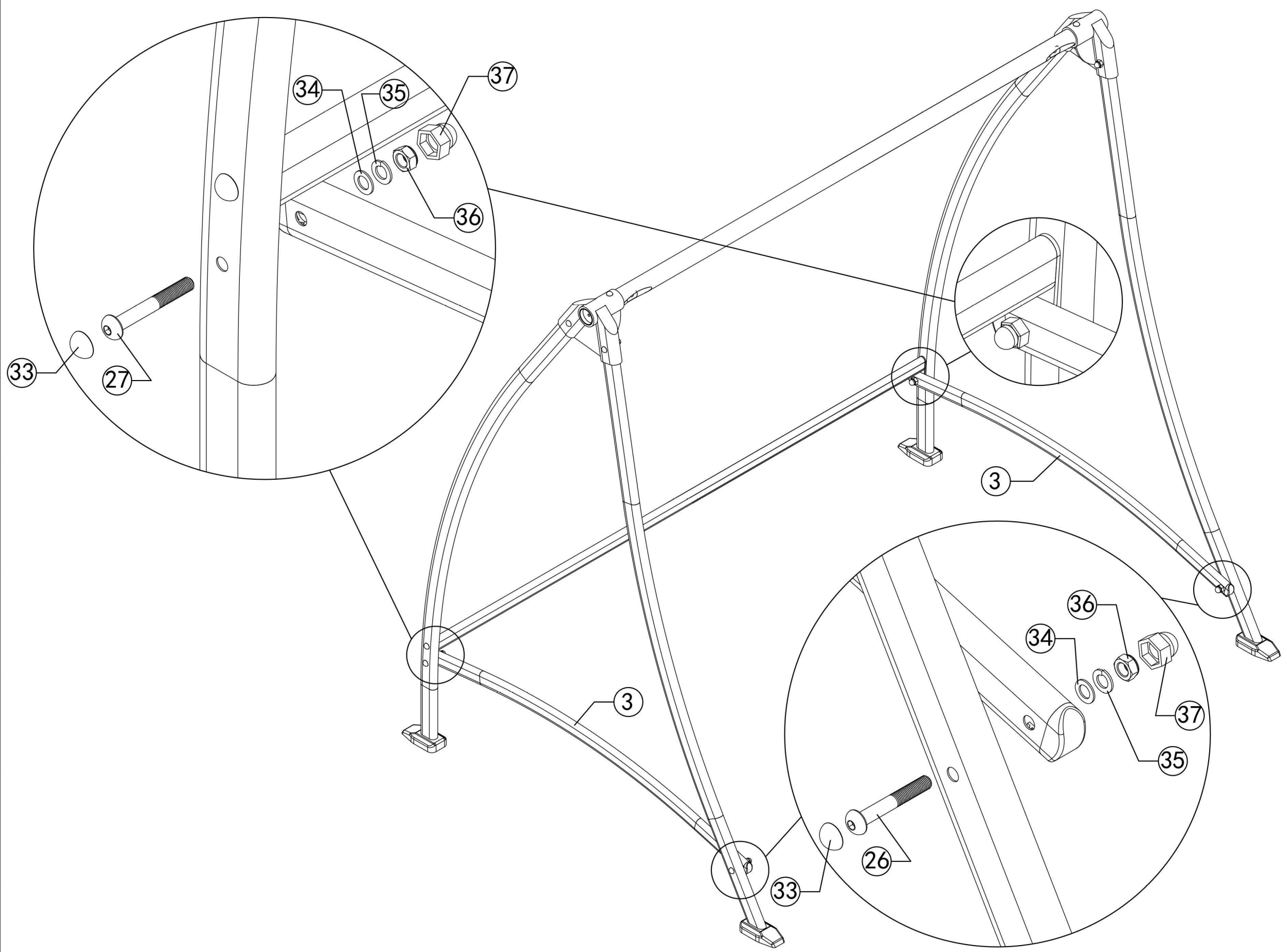
- ⑤ 1X
- ②④ 2X M8X35
- ③③ 2X M8
- ③⑨ 1X S5



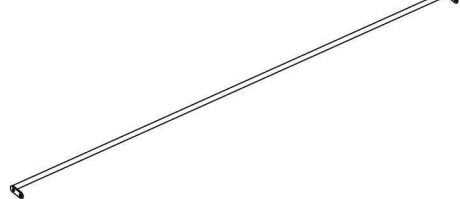
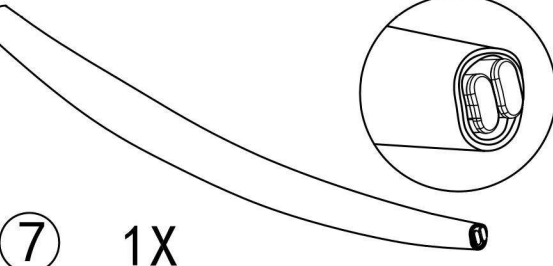
ATTENTION: Do not install the second bolts in this step.

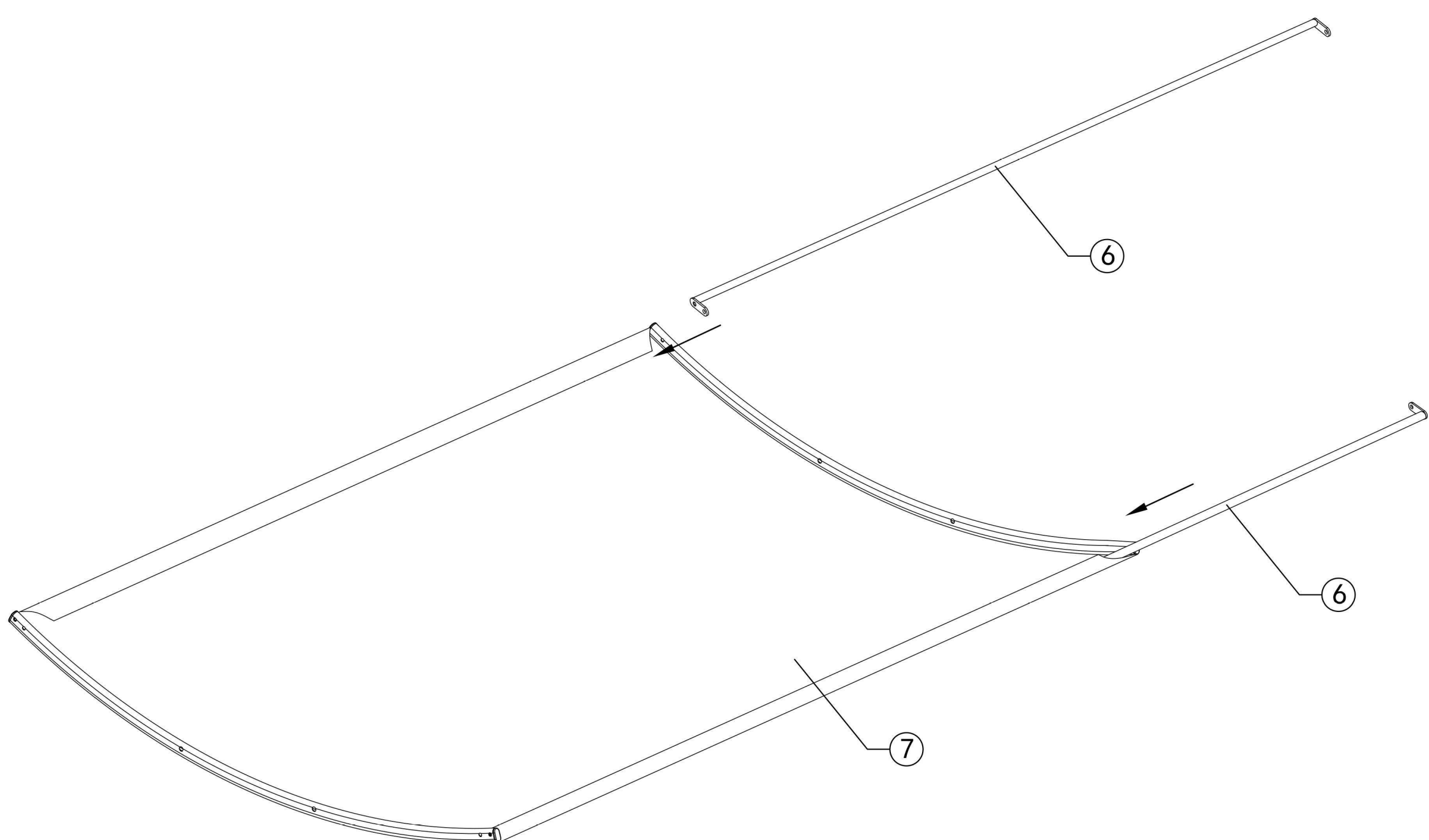
Step 4: Connect the bar (part 5) to the rear leg tubes (Align the first holes and fix the bolts) as shown. After all the bolts are assembled in place, tighten them together, finally cover the caps.

- ③ 2X 
- ②⑥ 2X M8X55 
- ②⑦ 2X M8X60 
- ③③ 4X M8 
- ③④ 4X M8 
- ③⑤ 4X M8 
- ③⑥ 4X M8 
- ③⑦ 4X M8 
- ③⑨ 1X S5 
- ④⑩ 1X 



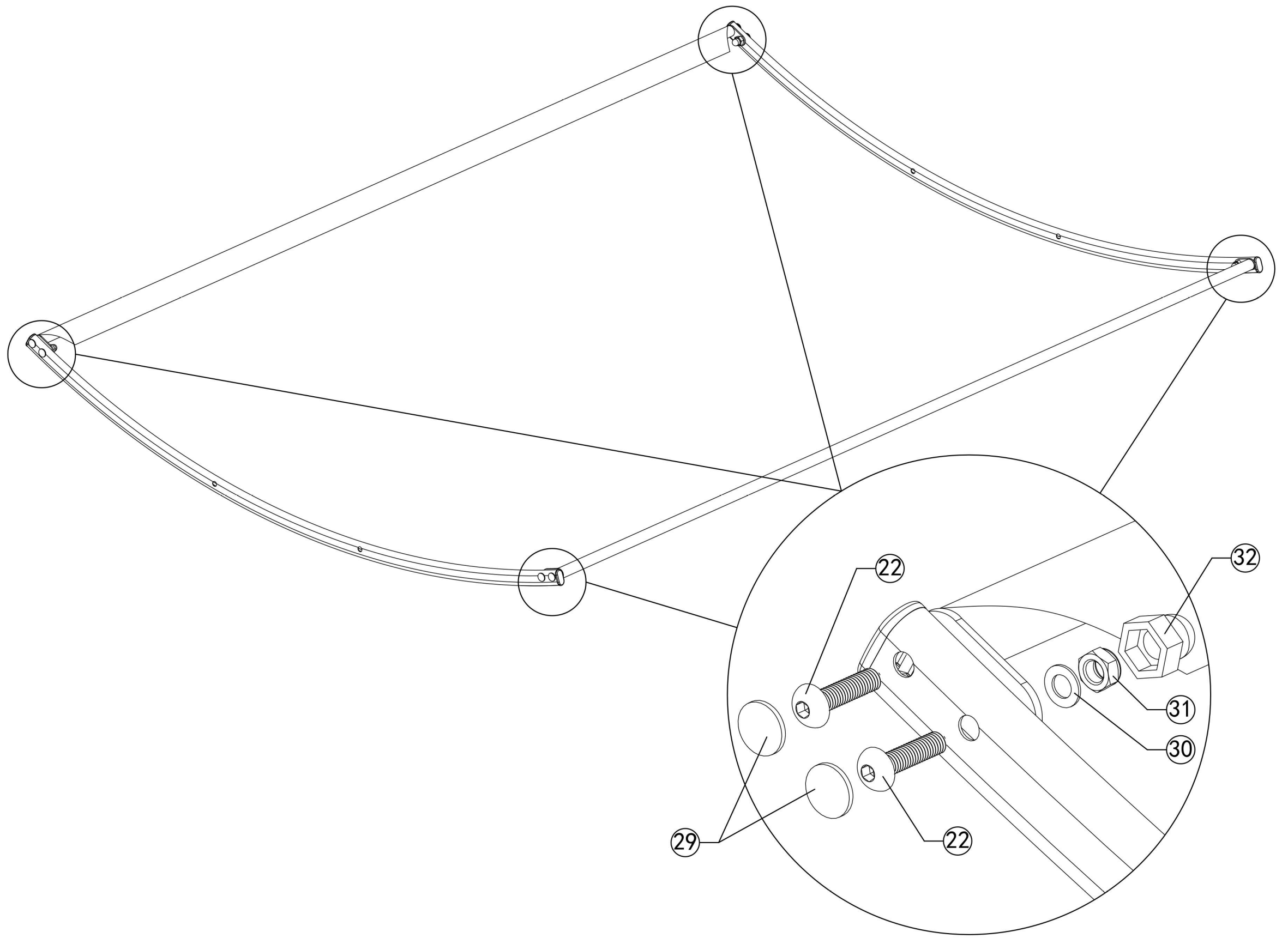
Step 5: Assemble the Part 3 to the front and rear leg tubes (Align the second holes and secure the bolts). Secure with bolts and nuts as required (After all the bolts are assembled in place, tighten them together, finally cover the caps).

- ⑥ 2X 
- ⑦ 1X 



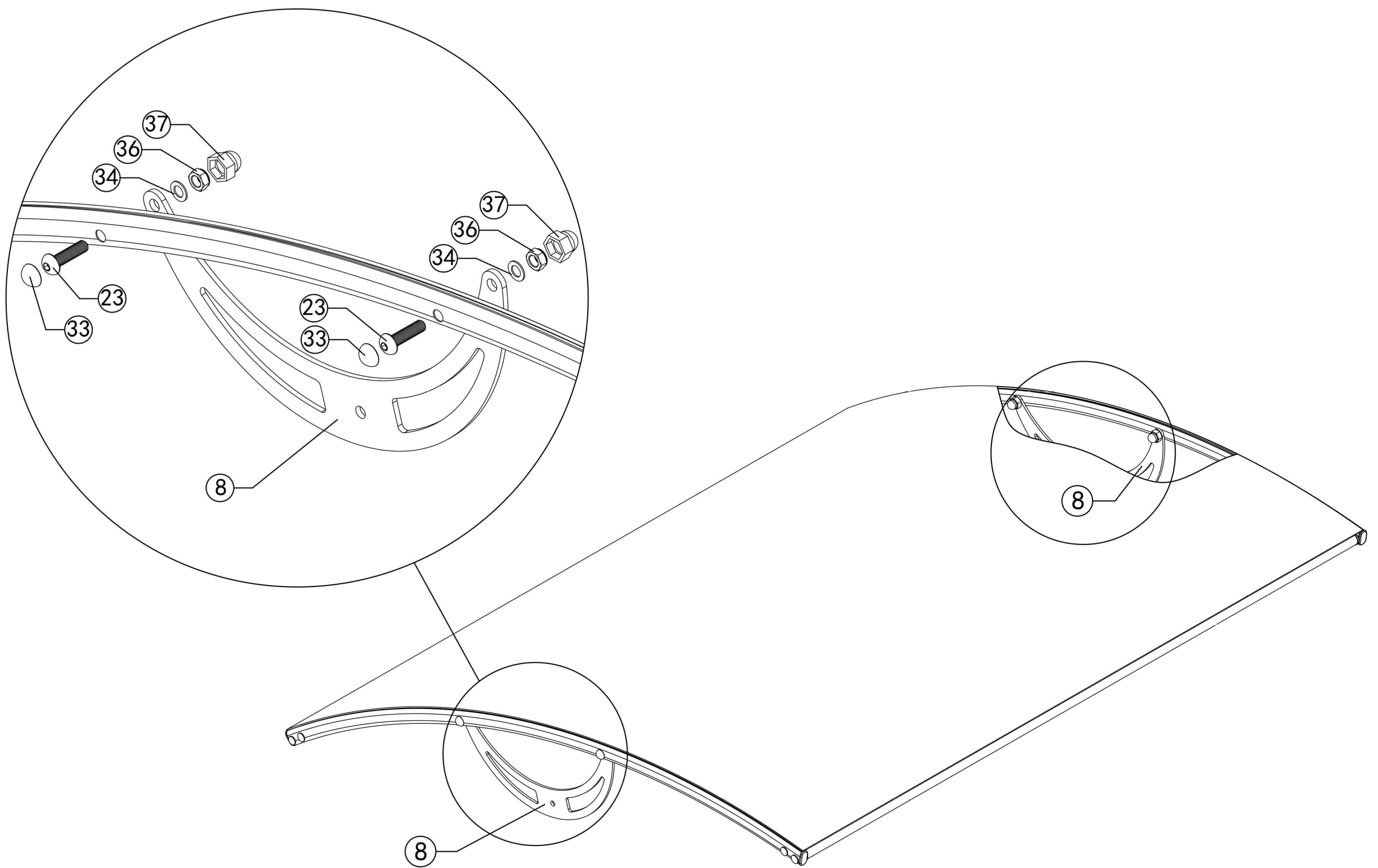
Step 6: Gently Insert the roof tubes (Part 6) into the canopy (Part 7).

- ②② 8X M6X25
- ②⑨ 8X M6
- ③① 4X M6
- ③② 4X M6
- ③⑧ 1X S4
- ④① 1X

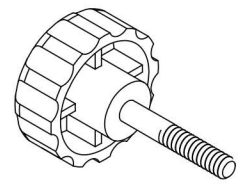


Step 7: Secure the four corners of the canopy with bolts and nuts as required (After all the bolts are assembled in place, tighten them together, finally cover the caps).

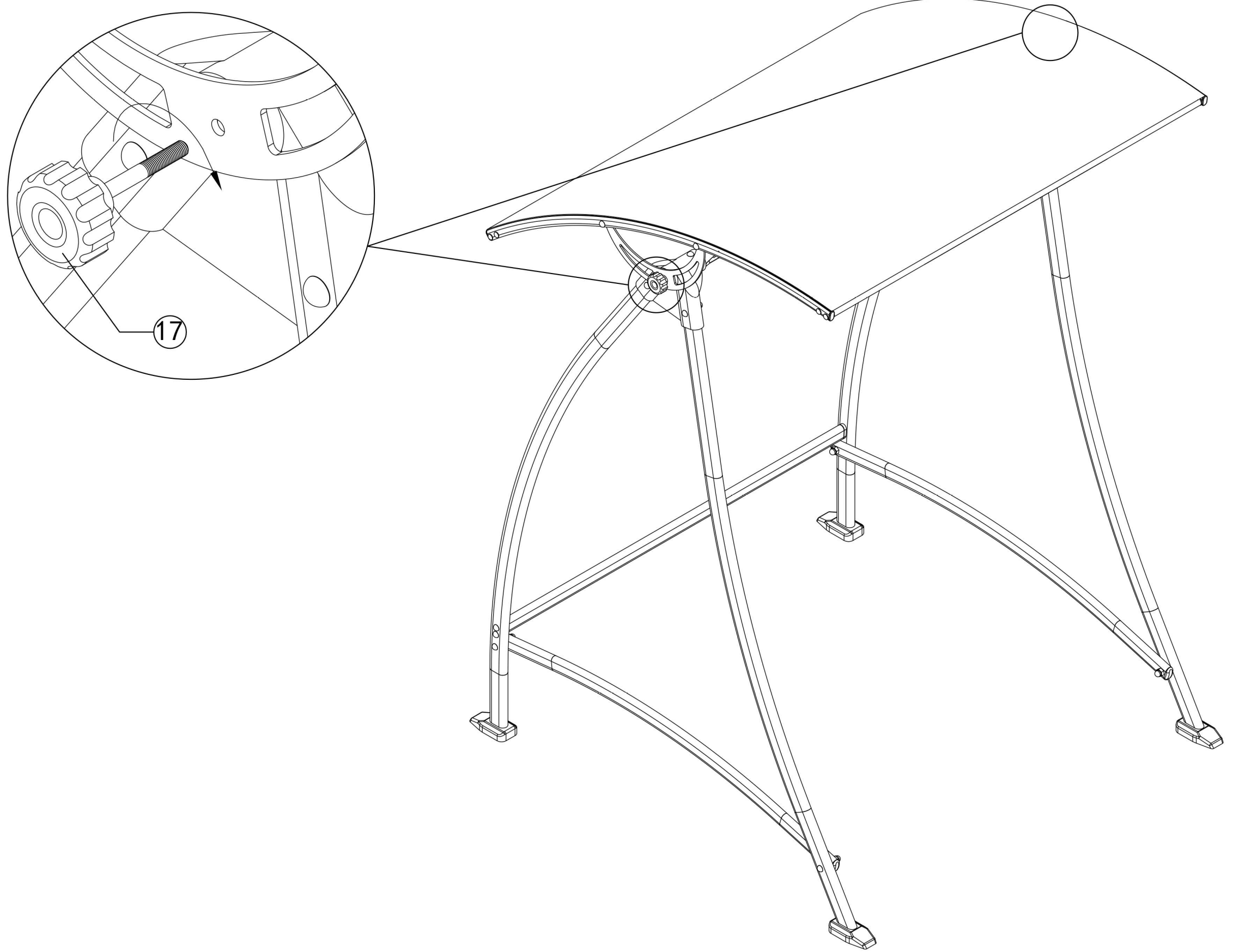
- ⑧ 2X
- ②③ 4X M8X30
- ③③ 4X M8
- ③④ 4X M8
- ③⑥ 4X M8
- ③⑦ 4X M8
- ③⑨ 1X S5
- ④① 1X



Step 8: Install Part 8 to top canopy. Align the holes and secure with bolts and nuts as required as required (After all the bolts are assembled in place, tighten them together, finally cover the caps).

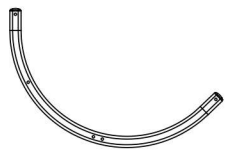


17 2X

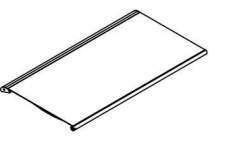


Step 9: Fix the canopy on the assembled leg frame with the adjusting knob (Part 17) as shown. Attention: According to your own requirements to adjust canopy roof, then tighten the knob.

9 2X



10 1X



11 1X

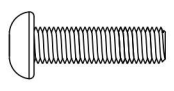


33 6X



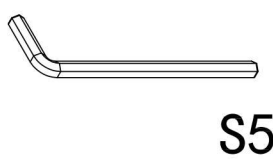
M8

24 6X

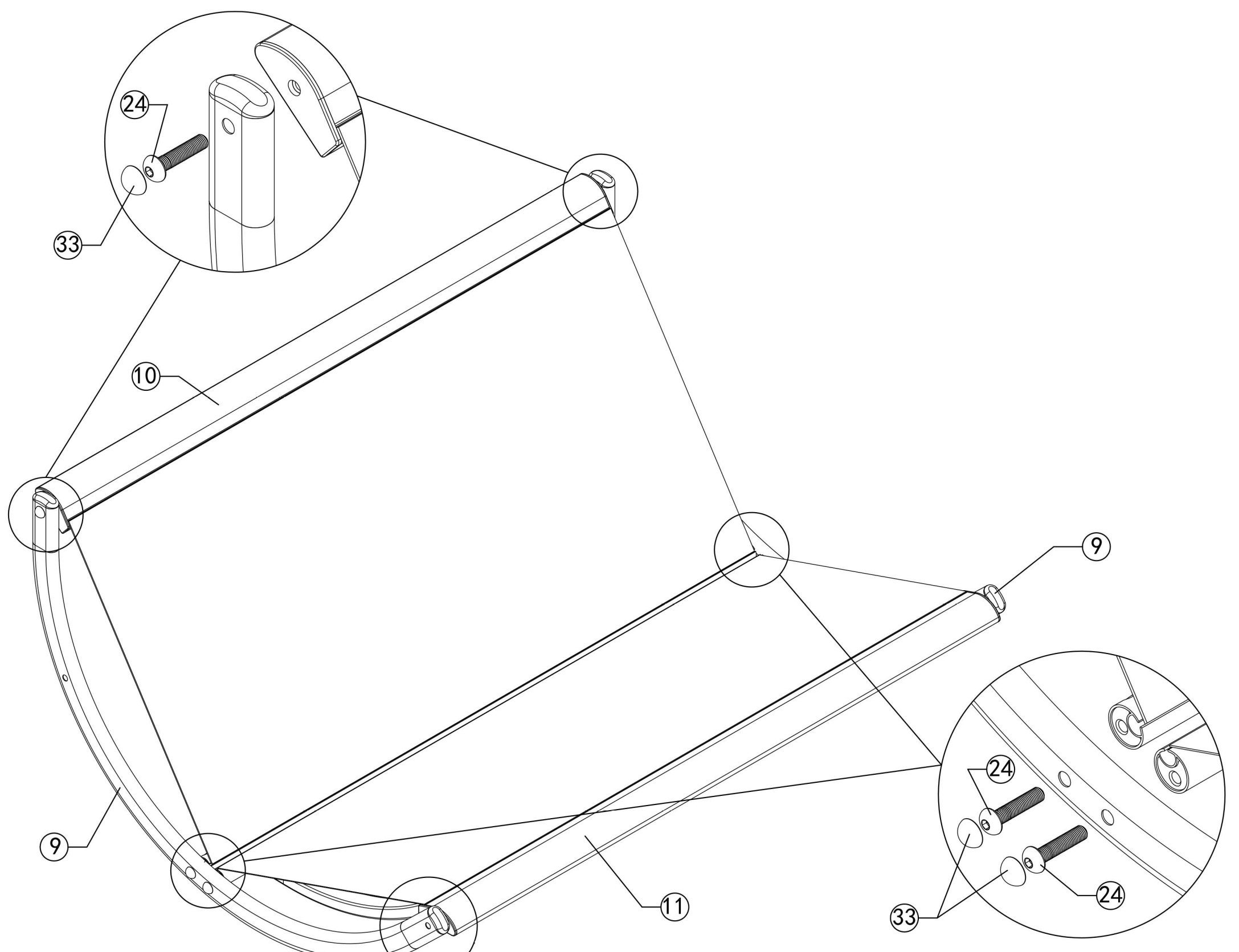


M8X35

39 1X





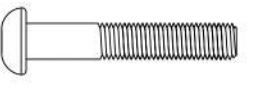

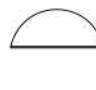


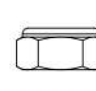
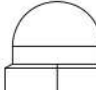
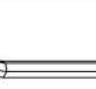
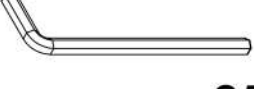



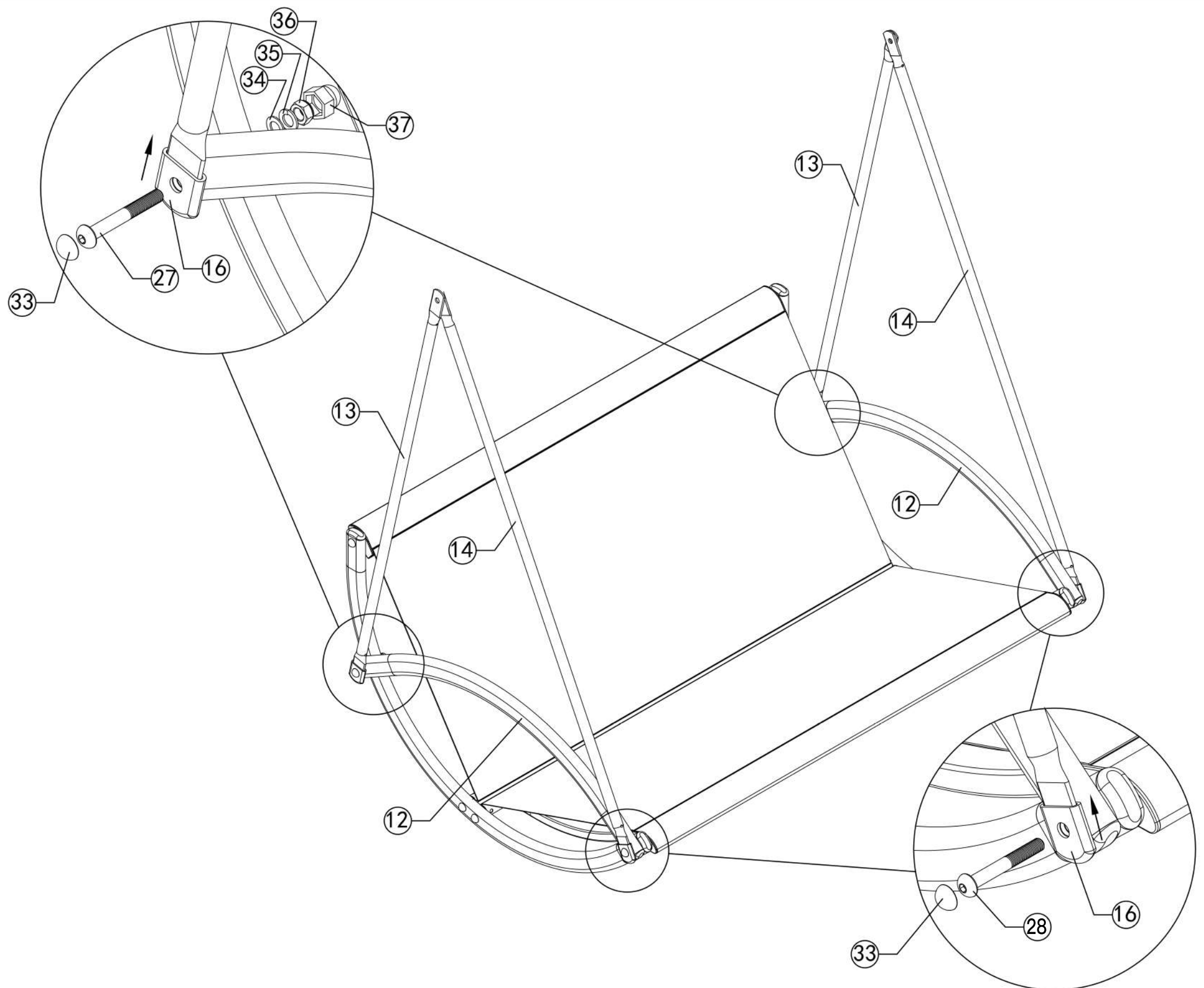
S5





ATTENTION:
Do not install the bolts in this step.

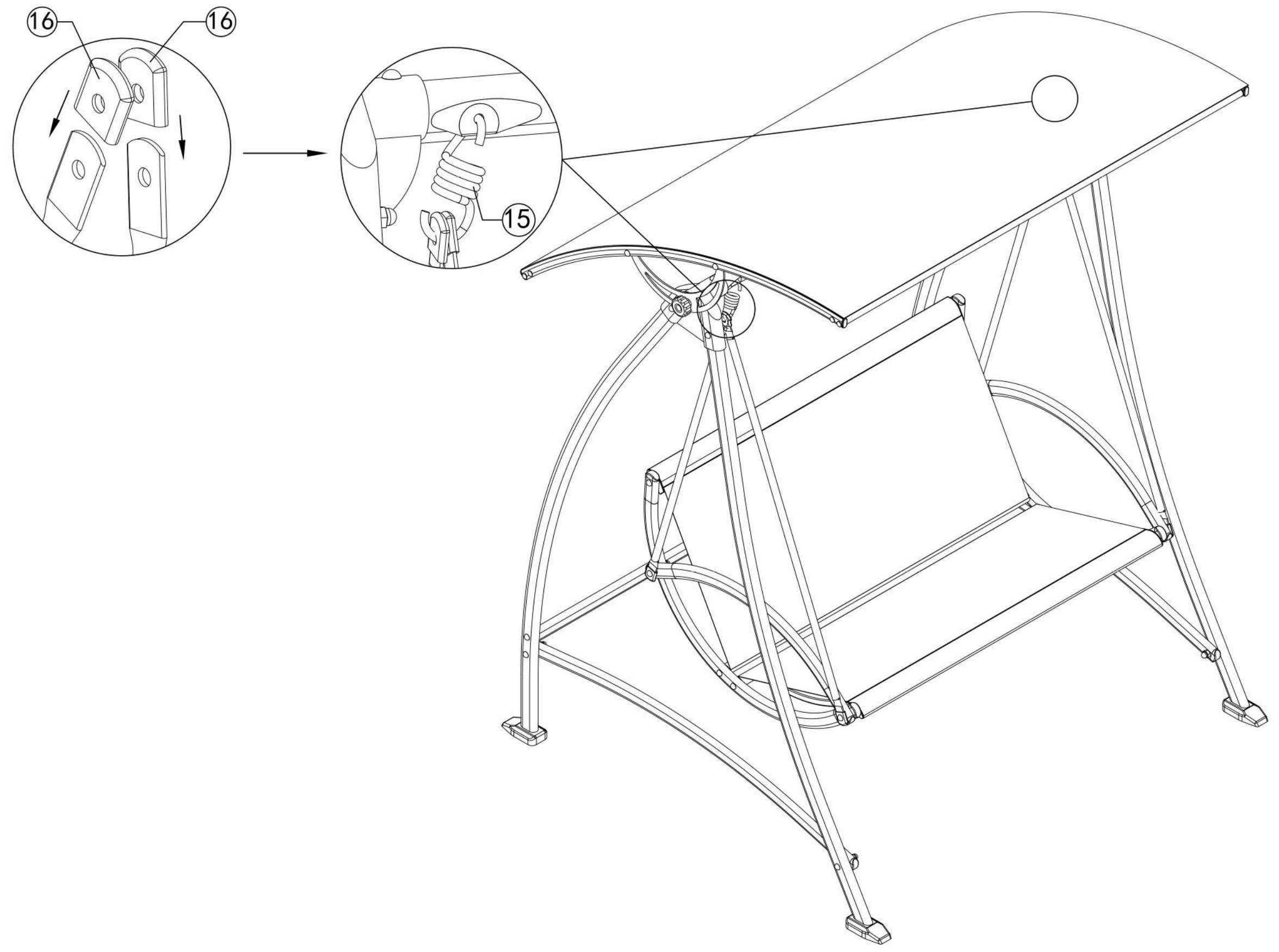
Step 10: Use bolt #24 to secure fixing tube (Part 9) on back (part 10) and seat (Part 11) as shown, secure with bolts and nuts as required (After all the bolts are assembled in place, tighten them together, finally cover the caps).

- ⑫ 2X 
- ⑬ 2X 
- ⑭ 2X 
- ⑯ 4X 
- ⑰ 2X  M8X60
- ⑱ 2X  M8x65
- ⑳ 4X  M8
- ㉑ 2X  M8
- ㉒ 2X  M8
- ㉓ 2X  M8
- ㉔ 2X  M8
- ㉕ 2X  M8
- ㉖ 1X  S5
- ㉗ 1X 



Step 11: Install swing booms and armrests. First fit part 16 on short swing booms (Part 13) and long swing booms (Part 14). Then align the holes and secure with bolts and nuts as required (After all the bolts are assembled in place, tighten them together, finally cover the caps).

- ⑯ 4X 
- ⑮ 2X 



Step 12: Insert Part 16 into the swing booms as shown, and hang it on the swing beam with hanging spring (Part 15).

