

ASSEMBLY INSTRUCTIONS

(For LD7122B-4272)

ATTENTION:

1. Please read these instructions carefully before assembly.
2. Aluminum is soft metal over tighten may strip thread or break the part.
3. DO NOT use power tools.

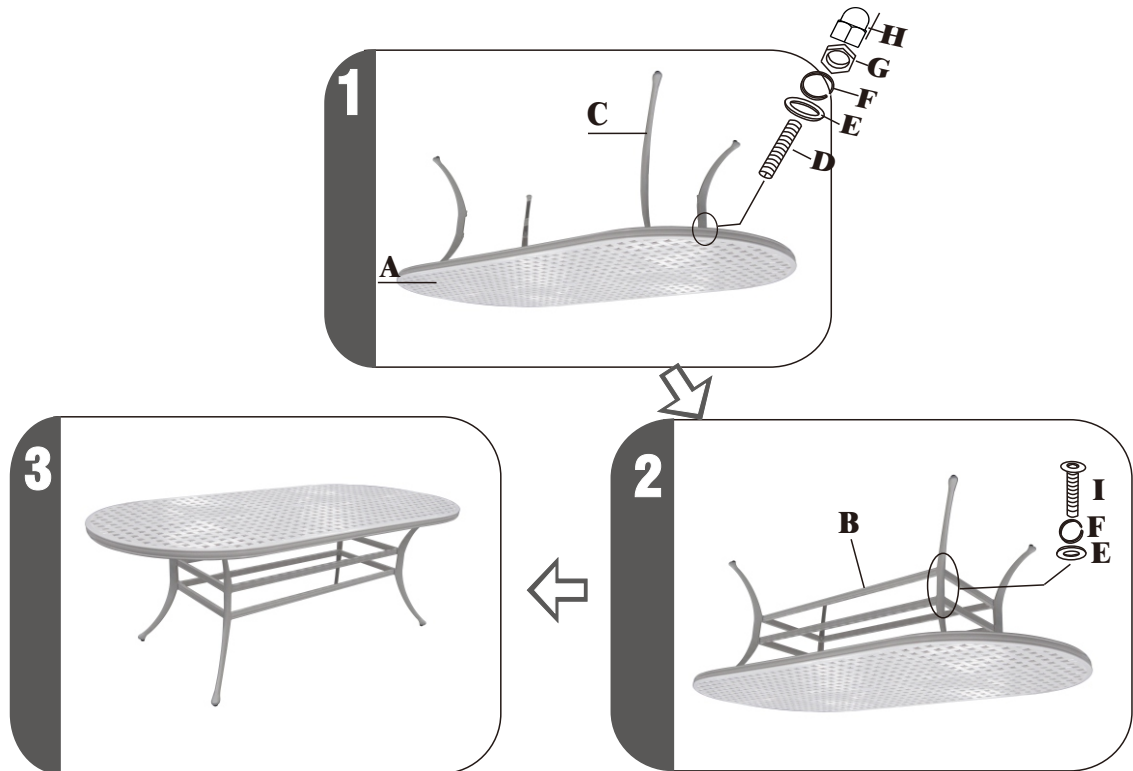
Assembly steps:








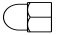


1. Loosely attach the 4 legs(C) to the table top with bolt(D), flat washers(E), lock washers(F), nuts(G) and nut caps(H).

DO NOT tighten the nuts.

2. Loosely attach the center ring(B) to the legs with flat washers(E), lock washers(F) and bolts(I).
3. Tighten all the bolts and nuts completely. DO NOT over tighten the nuts and bolts.
4. Turn the table onto its legs and adjust the footcap to level the tables.

Warning : please do not use acid or alkaline washing liquid to clean the product.



Parts list	Parts picture	Description	Q'ty	Parts list	Parts picture	Description	Q'ty
A		Table top	1	D	 (M8x45)	Bolt	4
				E		Flat washer	12
B		Center plate	2	F		Lock washer	12
				G		Nut	4
C		Table leg	4	H		Nut cap	4
				I	 (M8x40)	Bolt	8
				J		Wrench	1