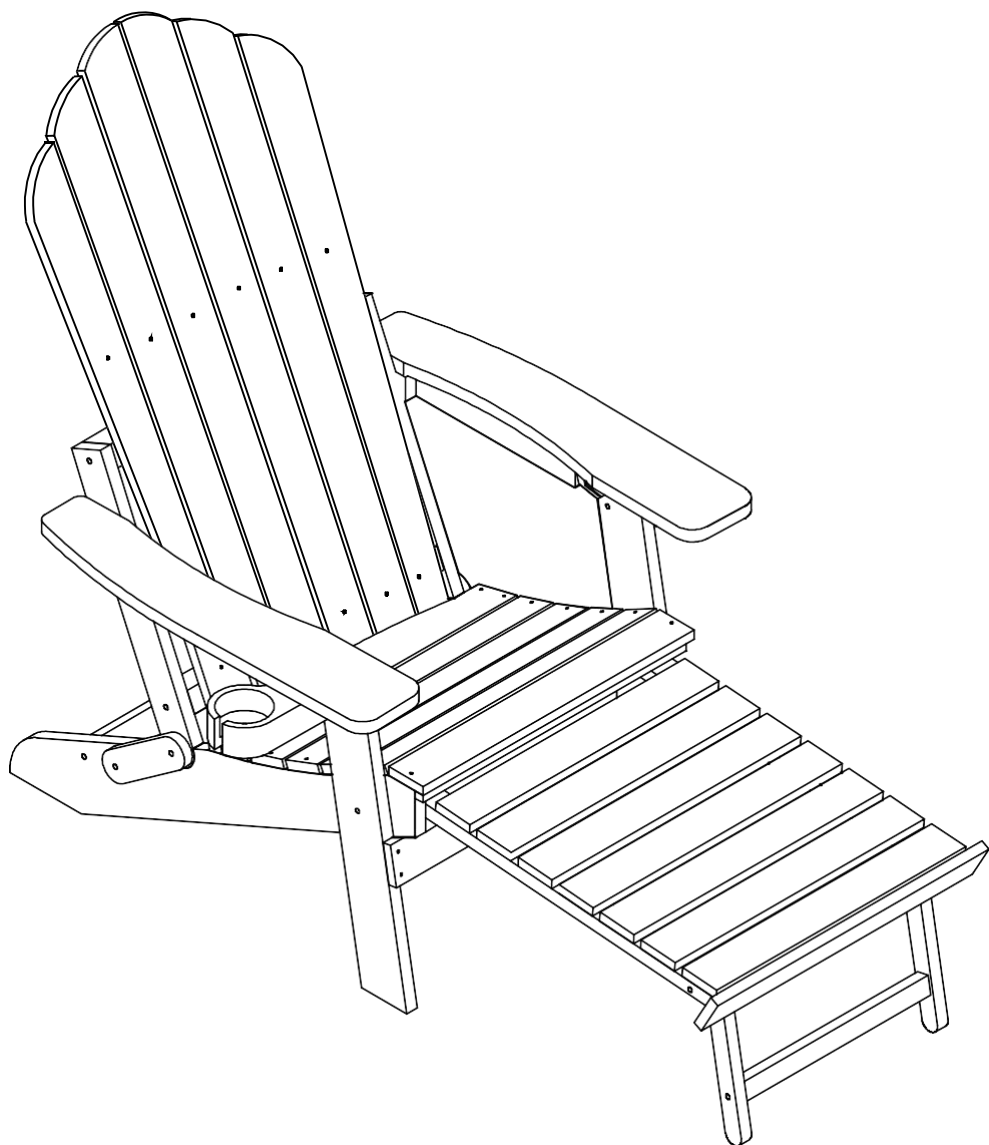
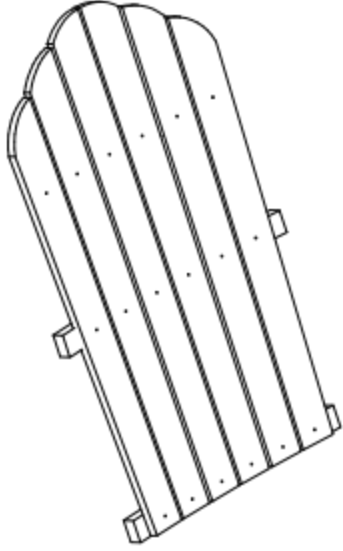

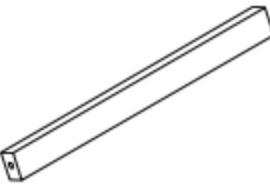

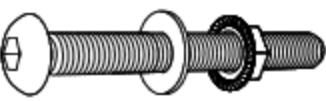
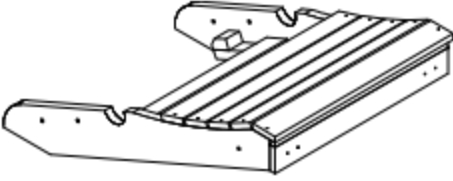

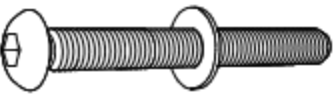
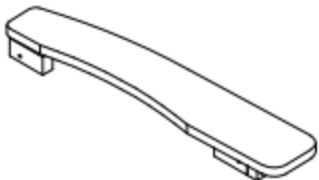
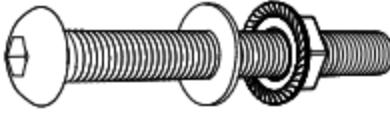
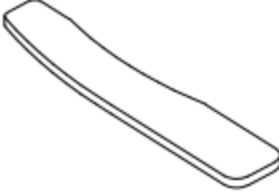





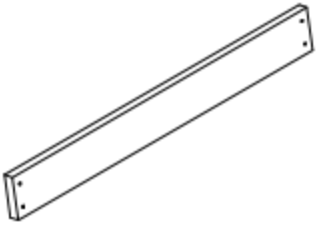

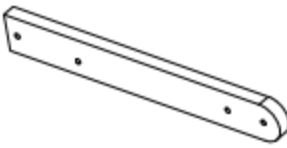



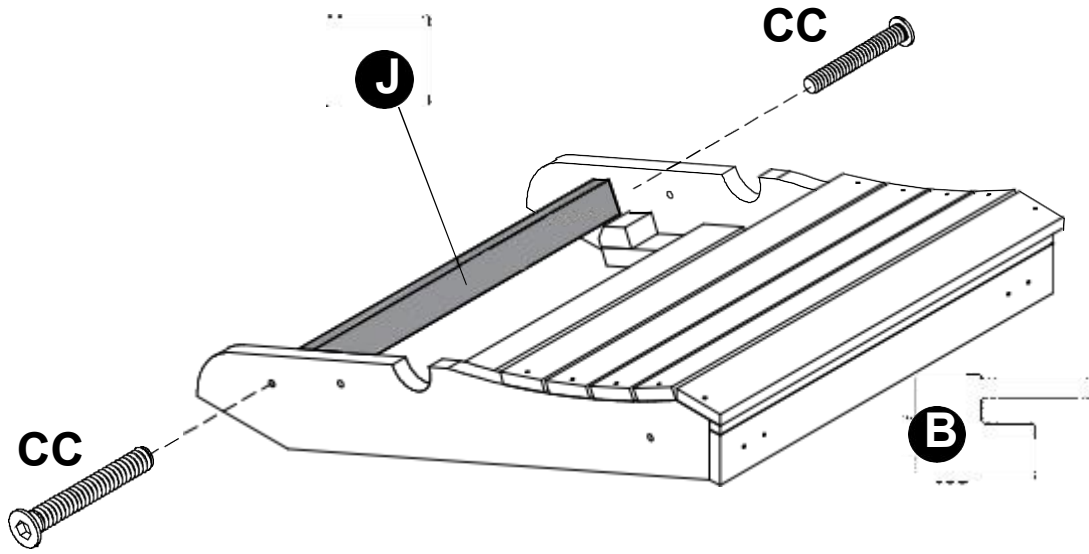
Assembly instructions

Foldable Adirondack chair

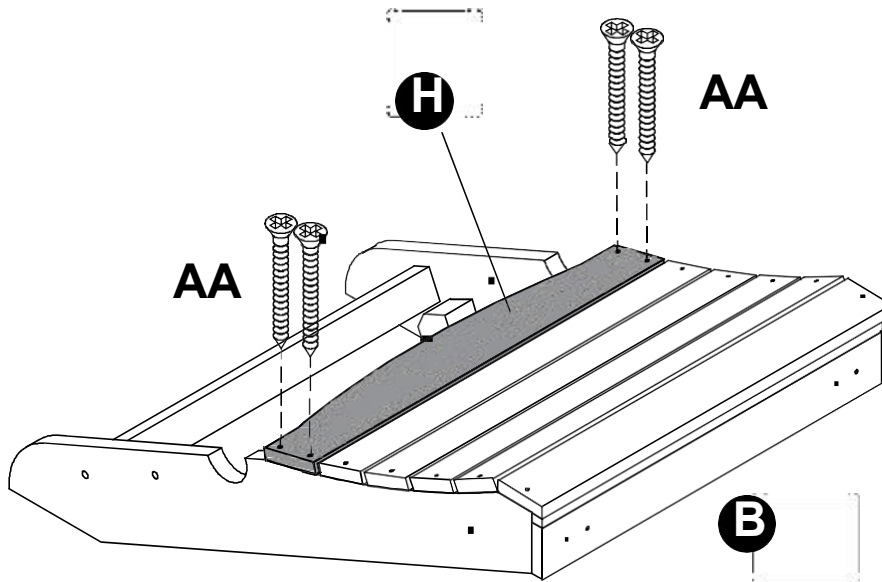


A		1PC	I1		1PC
			J		1PC
			AA	 4*35 Screw	8PCS
			BB	 M6*45 Bolt	4PCS
B		1PC	CC	 M6*45 Bolt	6PCS
			DD	 M6*45 Bolt	2PCS
C		1PC	EE	 M6*80 Bolt	2PCS
D		1PC	FF	 M6*50 Bolt	1PC
E		2PCS	GG		2PCS
F		2PCS			1SET
G		1PC			1SET
H		1PC			1SET

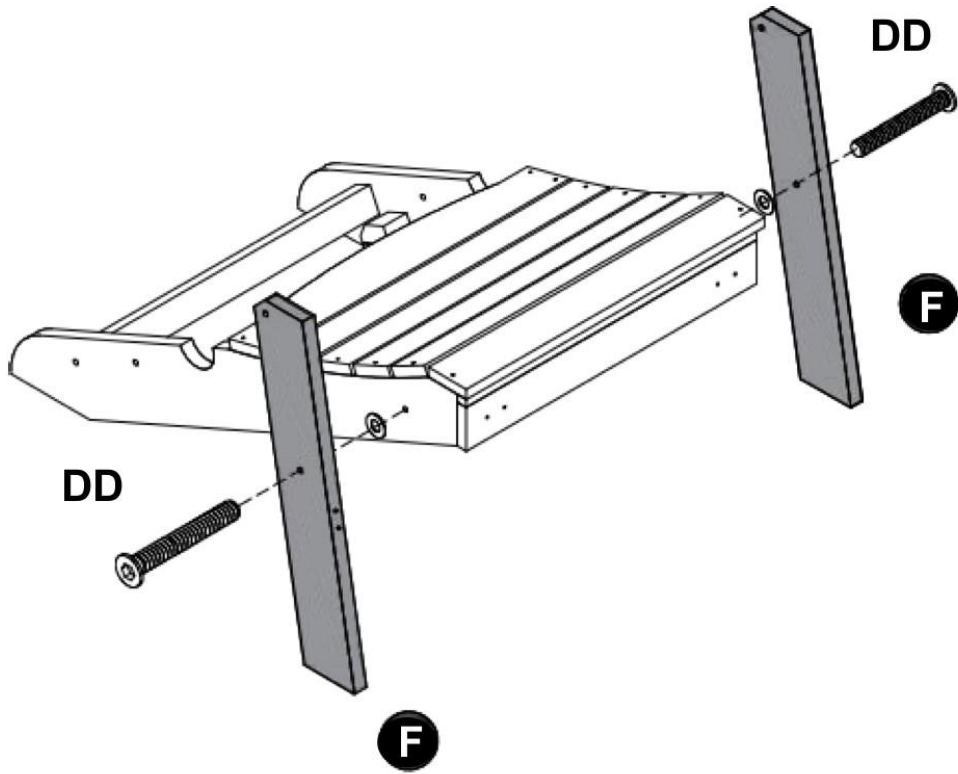
1



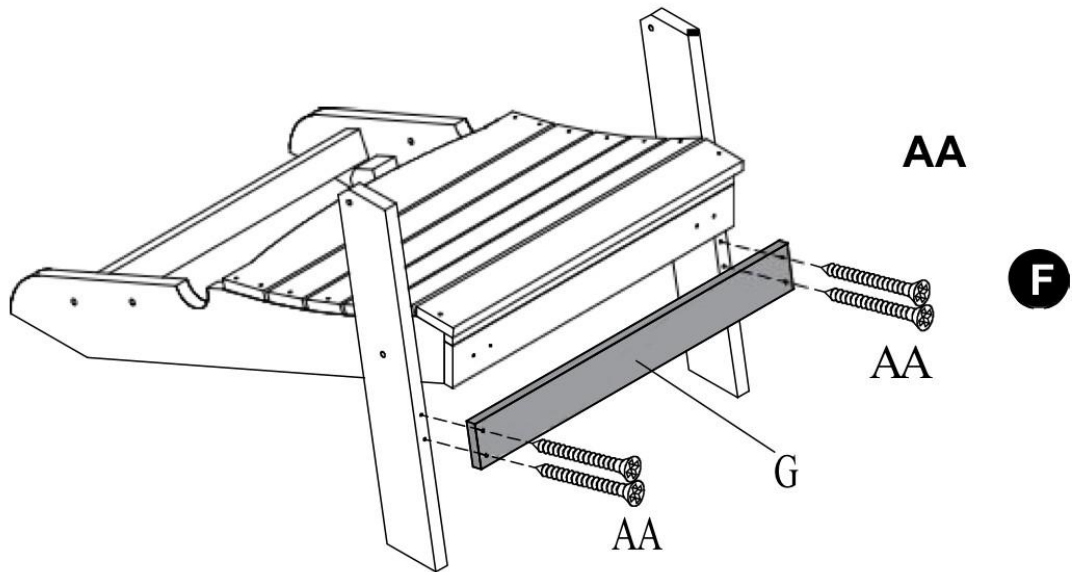
2



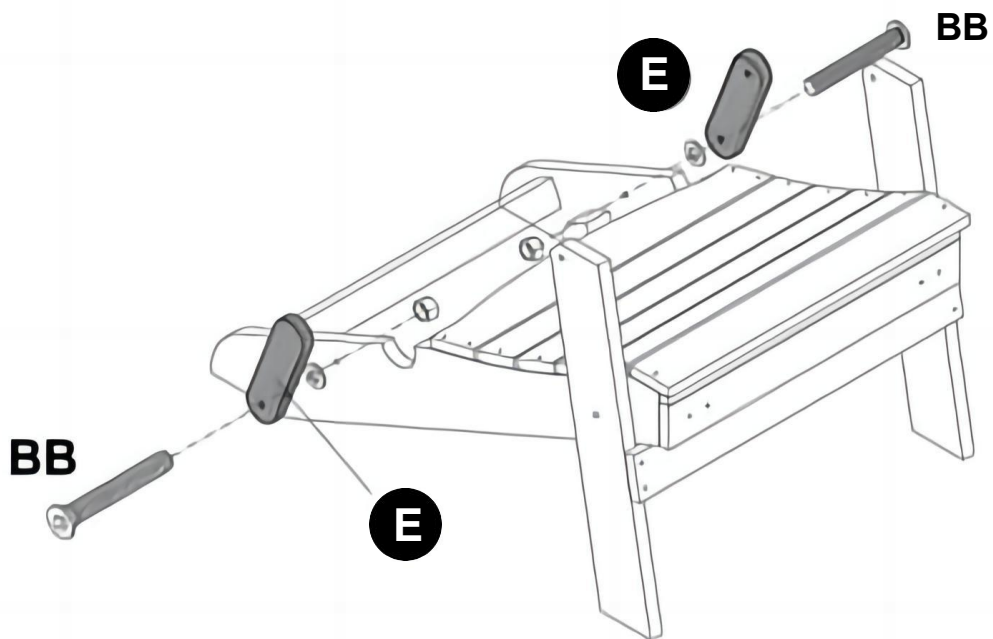
3



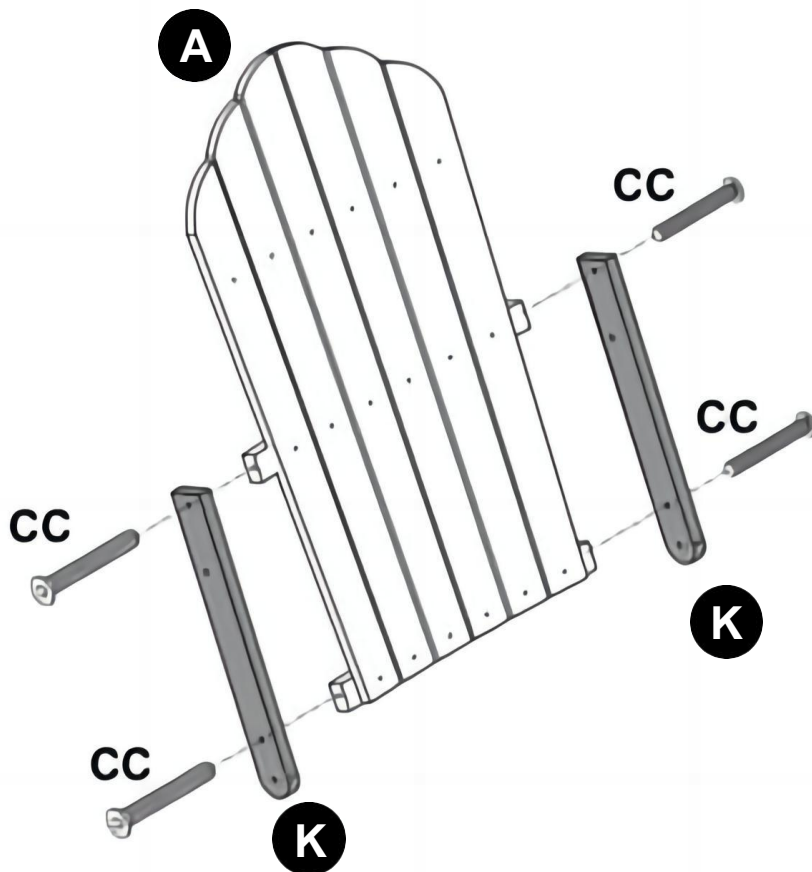
4



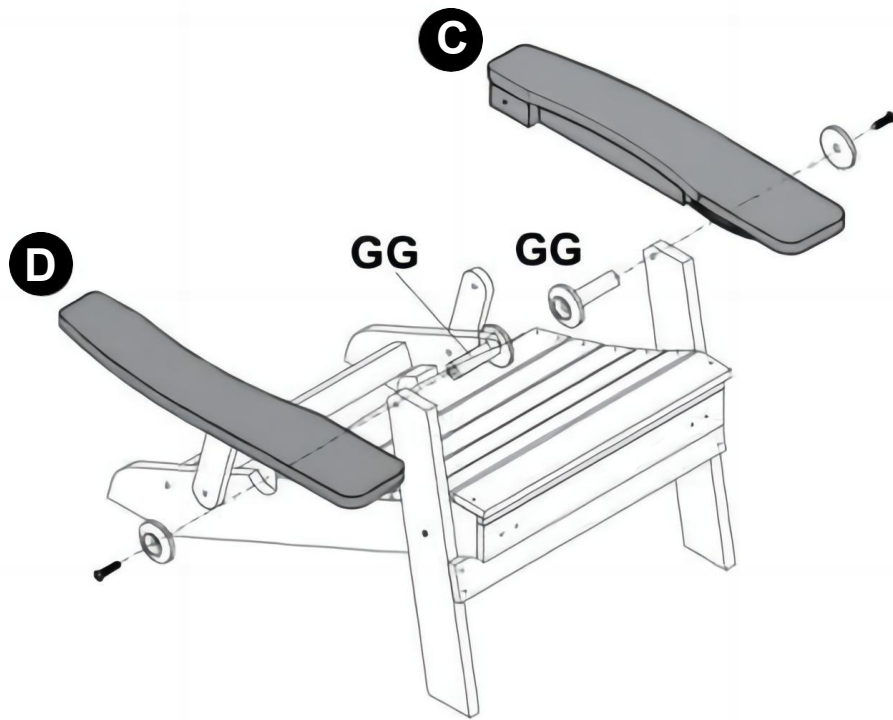
5



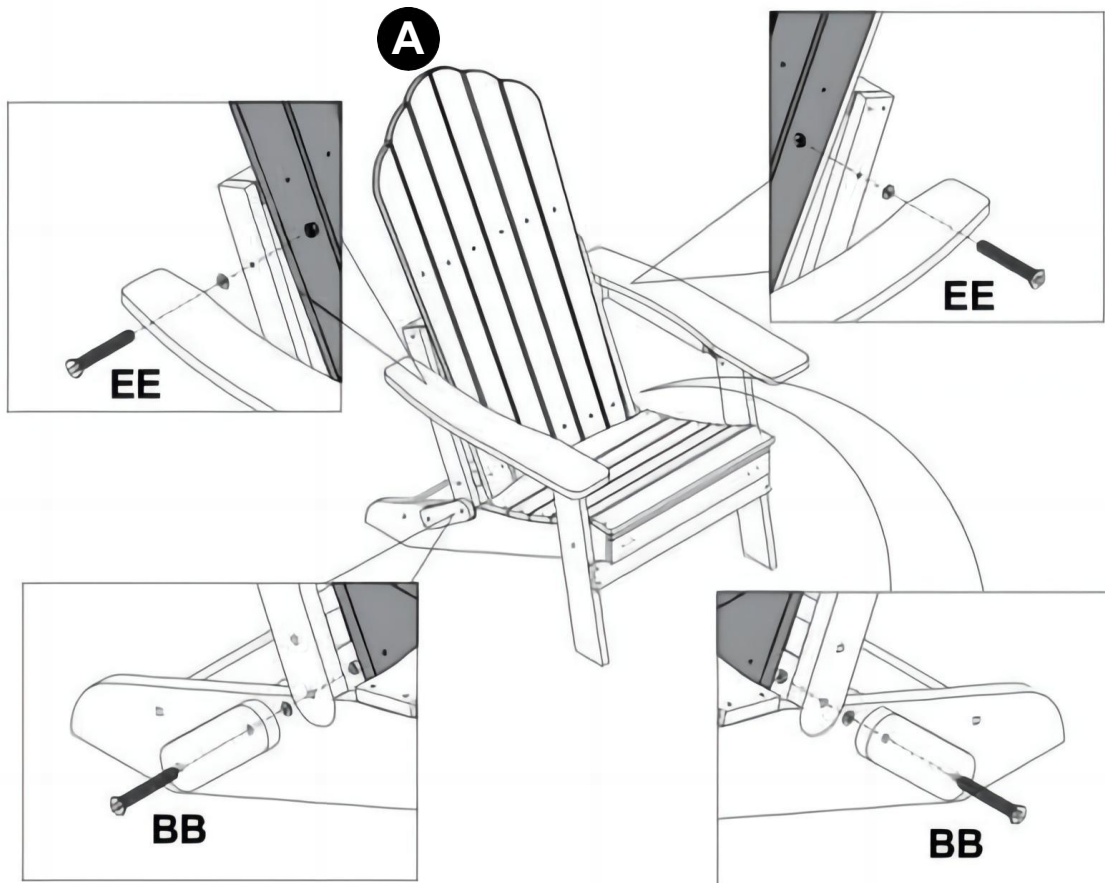
6



7



8



9



10

