

BEFORE YOU BEGIN YOUR INSTALLATION:

1



Turn off the main water supply before installing.

2



Observe all the local plumbing and building codes.

3



Check out the drain pipe if it's broken before installing. Maintain the drain pipe if necessary.

4



This product is only used for water supply. Do not supply Petrochemical liquids by this product.

5



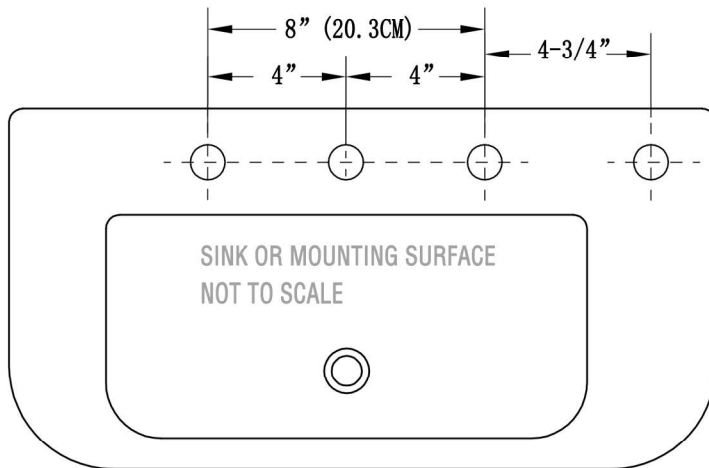
Prepare adjustable wrench, Phillips & flat screwdriver and other assist tools.

Attention:

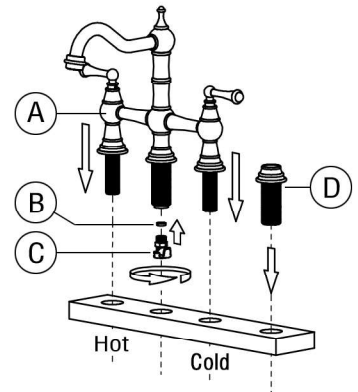
- * Please clean the water supply hoses thoroughly before installation. Protect the valve and bubble from avoiding the impurities came into the supply hoses. This product installation guide is written according to the latest product information.
- * Our company reserves the right to change the product characteristics, packaging or available accessories without notice.

FAUCET HOLE PLACEMENT

Recommended deck hole 1-3/8". Drill holes for bridge faucet in mounting surface 8" on center. We recommend installing the side spray hole a minimum of 4-3/4" away from nearest mounting hole of faucet.

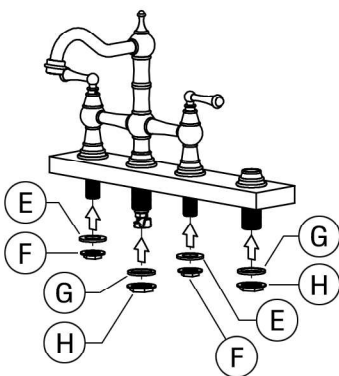


1.



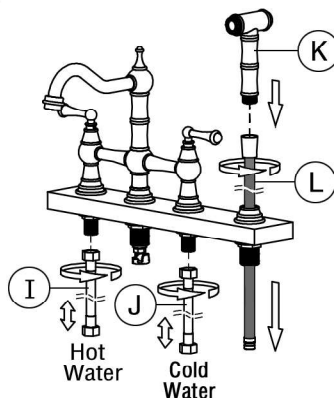
Connect the Quick Connector (C) to the Faucet (A) and sealed it with a Small Washer (B), then put the faucet and the Sprayer Base (D) into the mounting hole, after that, ready for the next step.

2.



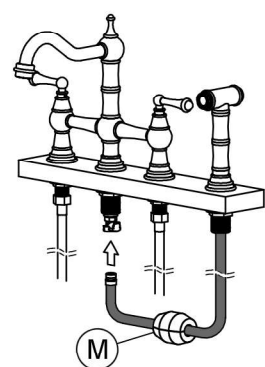
Tighten the faucet and the sprayer base by using small Nut (F) and a large Nut (H), Rubber Washer (G) are required between the Nuts and the fixing plate.

3.



Connect the faucet with hot and cold water supply valve by using hose (I & J), connect the Sprayer (K) to the Spray Hose (L) then put it into the Sprayer Base and ready for the next step.

4.



Connect the Spray Hose to quick connector (C). Then install the Weight (M) to the proper place on the Spray Hose. Product install is complete.