

DIGITAL DISPLAY SHOWER SET INSTALLATION GUIDE



Model : 6025



Model : 6025-B

◆ INSTALLATION CONDITION



1.Refer to the 《Standard Part List》 when unpacking , check all parts available .

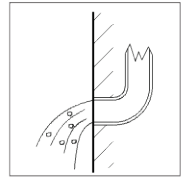
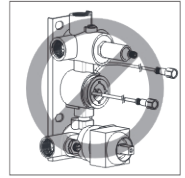
2.Do not disassemble mixer body by yourself.

3.Connect inlet hoses to supply valves.

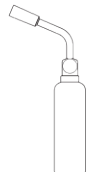
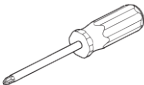
4.Make sure inlet pipes and supply valves have been installed and cleaned, also ensure no impurities in pipeline.

5.After installation , check all joints for leakages.

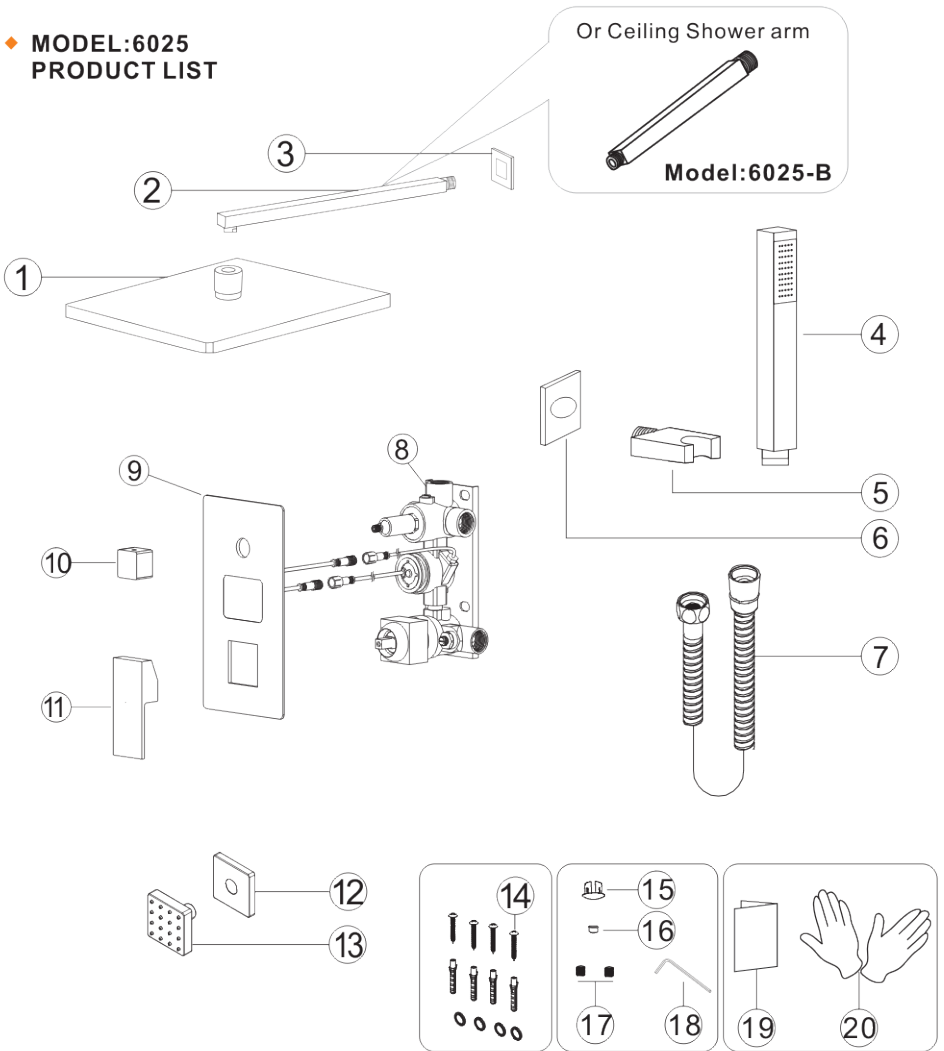
6.Suggest don't fit the faucet in the severely corrosive environments.



YOU MAY NEED:



◆ **MODEL:6025**
PRODUCT LIST

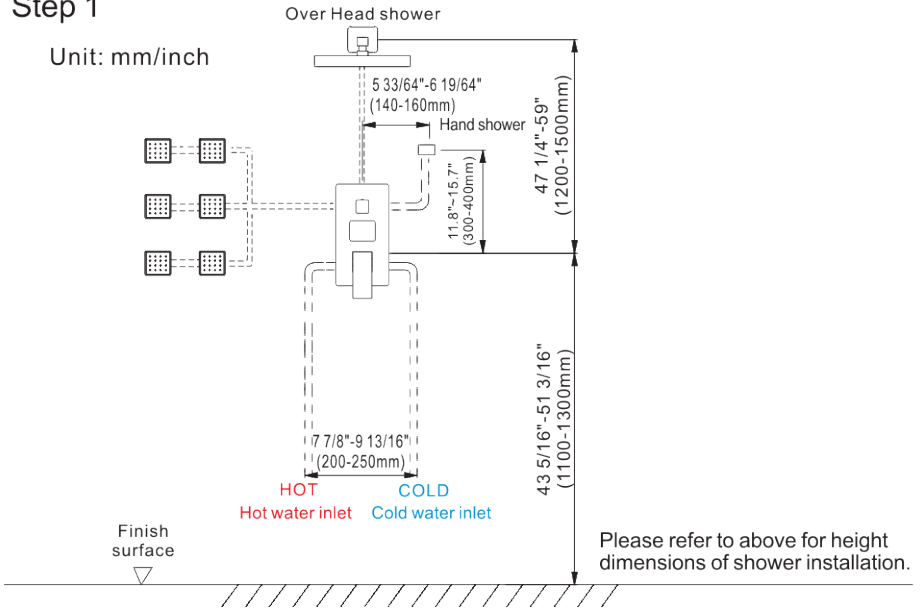


No.	Part name	Qty	No.	Part name	Qty
1	Shower head	1	11	Handle	1
2	Shower arm	1	12	Body jet cup	6
3	Shower arm cup	1	13	Body jet	6
4	Shower hand	1	14	Body gasket screw parts	4
5	Hand show holer	1	15	Handle cover	1
6	Holder cup	1	16	Water diverter cover	1
7	Shower hose	1	17	Handle & Diverter screw	2
8	Main body	1	18	Wrench	1
9	Panel	1	19	Instruction manual	1
10	Water diverter	1	20	Gloves	2

◆ **INSTALLATION SHOWER SET SIZE & WATER PIPE LINE REFERENCE**

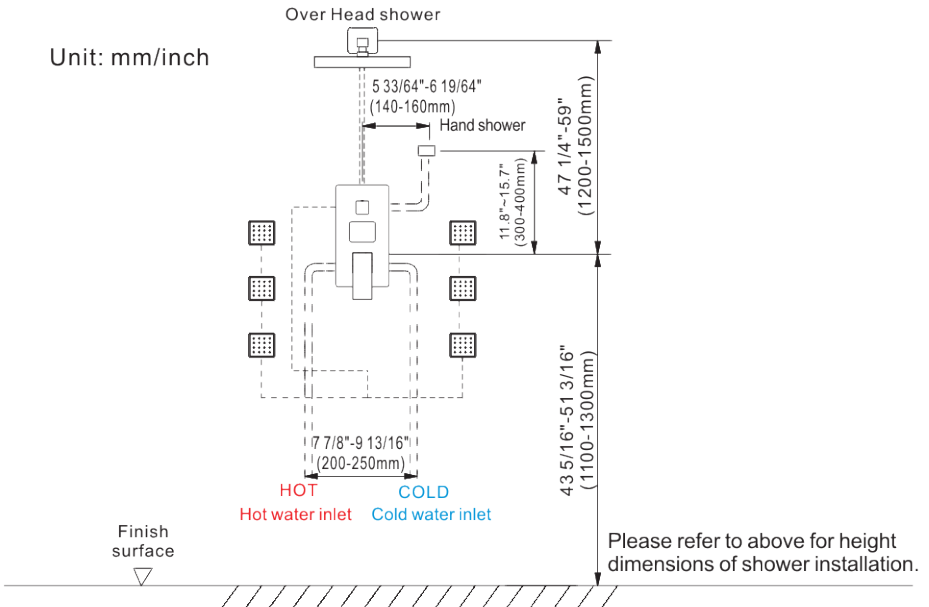
Step 1

Unit: mm/inch

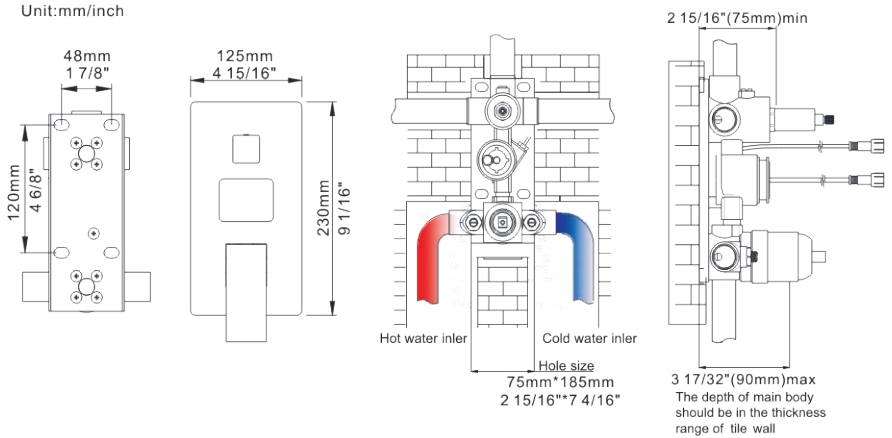


Step 2

Unit: mm/inch

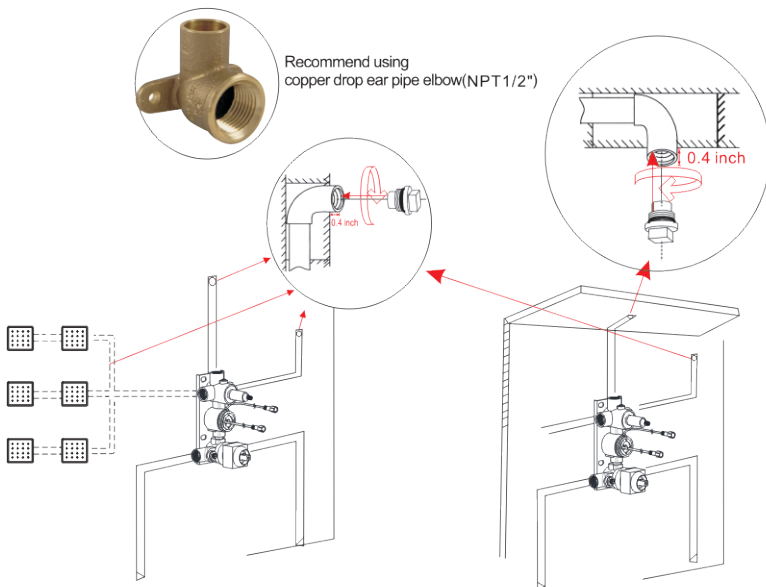


◆ INSTALLATION DEPTH OF MAIN BODY



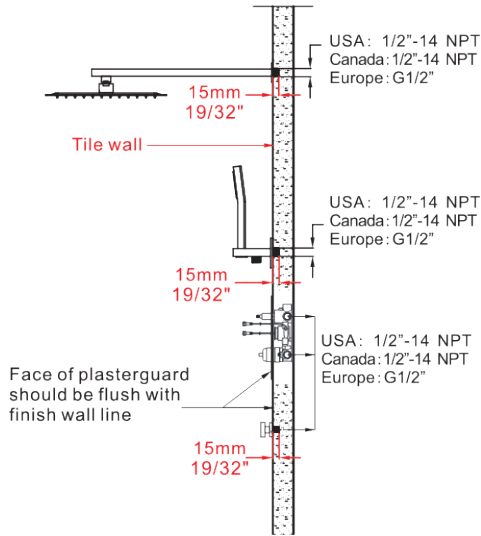
- 1: Including the thickness of ceramic tile is less than or equal to the thickness of valve 3 17/32" (90mm), so the thickness of tile must be calculated before installation.
- 2: Installation Main body depth not less than 2 15/16" (75mm) min and not more than 3 17/32" (90mm) Max. Otherwise, the panel cannot be installed.
- 3: The hole size of the main body after tiling is smaller than the size of the panel.

◆ WALL MOUNTED/CEILING MOUNTED INSTALLATION BEFORE TILING



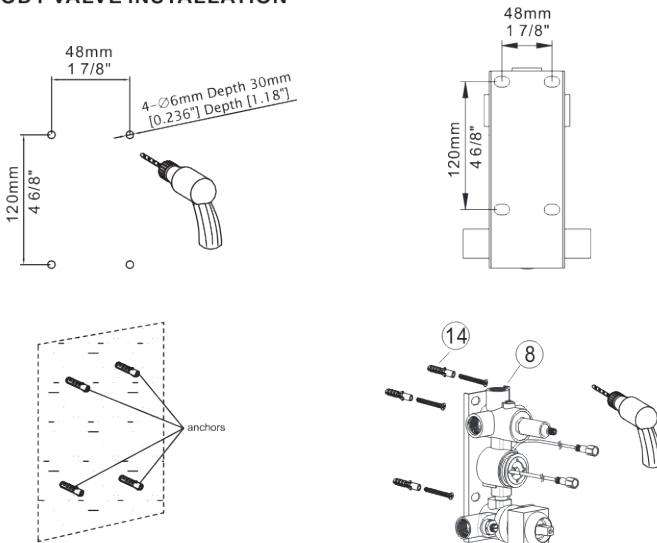
- 1: Recommend using Copper drop ear pipe elbow(NPT 1/2)
USA: 1/14 NPT 2 -Canada: 1/2"-14 NPT Europe: G1/2"

◆ **INSTALLATION DEPTH OF SHOWER ARM & SHOWER HOLDER & BODY JET**



The installation depth of shower arm & shower holder & body jet can't over 19/32" (15mm) so the thickness of tile must be calculated before installation.

◆ **MAIN BODY VALVE INSTALLATION**



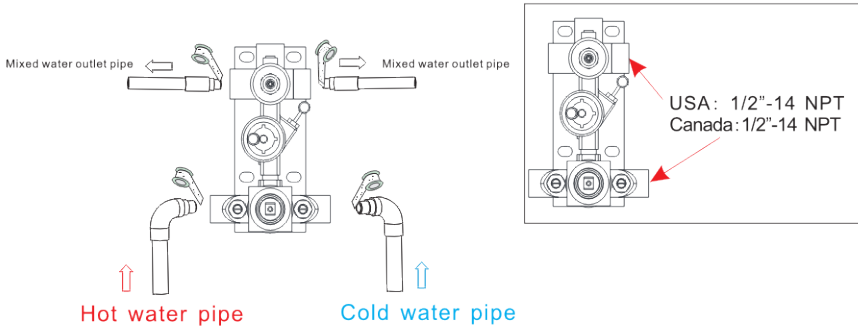
According to the size of installation to install the anchors to the wall, then use ⑭ Body gasket screw parts then install the ⑧ Main body

Please note that the level meter should be parallel, otherwise the panel cannot be installed. Pay attention to the length and width of the screw position before marking

◆ MAIN BODY CONNECTING PIPE SCHEMATIC DIAGRAM

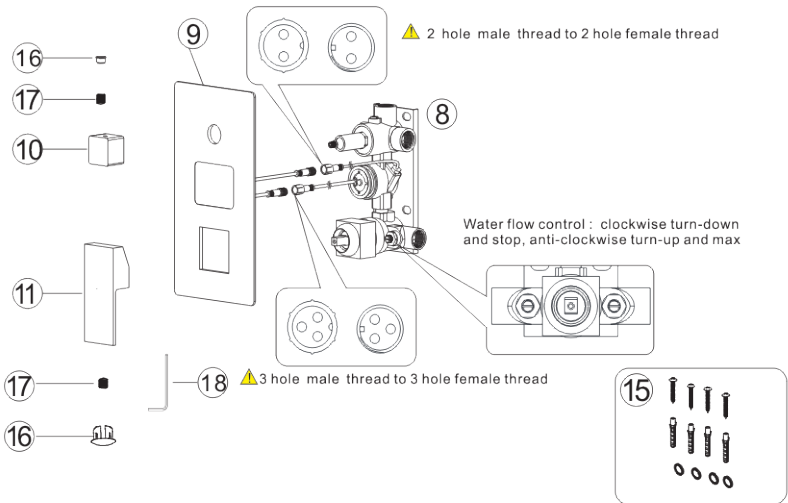


Warning: must install hot water and cold water inlet strictly as instructions.
 Wrap enough teflon tape, otherwise it will leak.



1. As shown in the figure, the inlet and outlet pipes are pre-buried, pay attention to the correct direction of installing the pre-buried main body.
2. Install the hot and cold water inlet pipes, Shower head and hand shower holder body jet pipes. Turn on the water source to test whether the left and right inlet pipes are tightly connected without leakage. After the test, adjust the flow switch to be on to test whether the mixed outlet pipe. The connection is tight and there is no leakage.

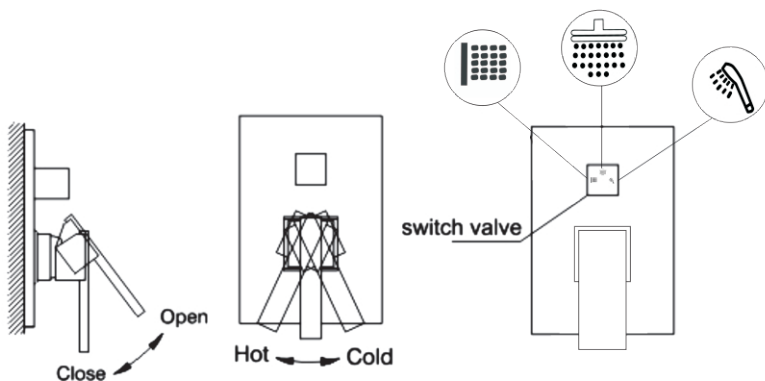
◆ MAIN BODY VALVE INSTALLATION



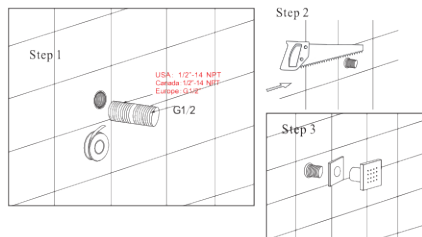
Use ⑮ Valve gasket spare parts and to fixed ⑧ Main body on the wall and then install ⑨ Panel, Install the ⑩ Water diverter ⑰ Screws ⑯ Water diverter cover and ⑪ Handle ⑰ Screw ⑱ Handle cover in order.

◆ USAGE INSTRUCTION

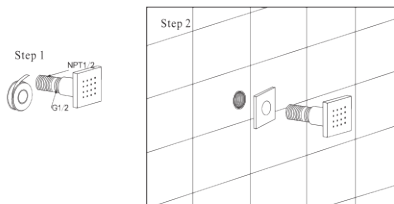
1. Open the water valve, check if there is any leakage.
2. Turn the handle upwards, water valve is opened, And the turning angle can control water outflow rate, Then the user can turn it to left or right to control the water temperature, Herein the left is hot water, the right is cold water.
3. The switch valve can switch the water outlet from shower head and Body jet and shower hand.



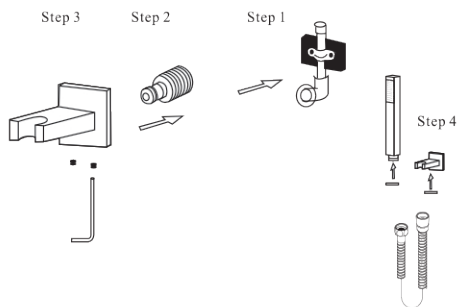
◆ INSTALLATION OF BODY JET



- Step 1. Wrap the threaded pipe of NPT1/2 with Teflon tape and screw it into the wall.
- Step 2. Cut off excess part with a saw.
- Step 3. Put on the decoration cap, then screw the message shower in.

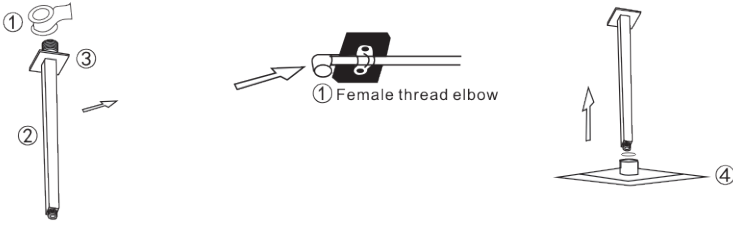


◆ SHOWER HOLDER INSTALLATION INSTALL THE HAND SHOWER HOLDER

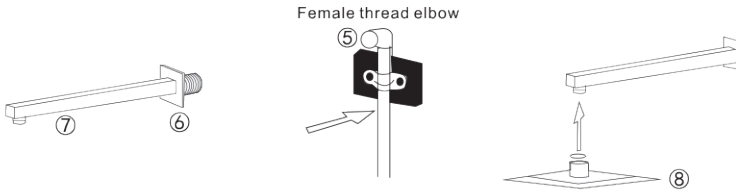


- Step 1. Screw the thread into the water pipe inside the wall.
- Step 2. Screw the main body into the thread.
- Step 3. Rotate and fix the body with the special-shaped wrench.
- Step 4. Connect hand shower and the hose.

◆ INSTALLATION OF RAIN SHOWER HEAD& SHOWER ARM



Connect top outlet ① to shower arm ② with proper fittings. To prevent damage, to finish on shower arm, insert wall end of shower arm into shower flange ③ before screwing arm into riser connection. Thread showerhead ④ onto shower arm. Apply tape to pipe threads on both ends. Do not overtighten showerhead. The showerhead is 360° swivel connection.



Connect top outlet ⑤ to shower arm ⑦ with proper fittings. To prevent damage, to finish on shower arm, insert wall end of shower arm into shower flange ⑥ before screwing arm into riser connection. Thread showerhead ⑧ onto shower arm. Apply tape to pipe threads on both ends. Do not overtighten showerhead. The showerhead is 360° swivel connection.

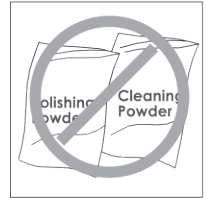
◆ CARE AND MAINTENANCE

In order to keep the mixer surface bright , please clean the mixer regularly.

Rinse faucet with clean water and wipe with soft cotton cloth.

Avoid using cleaning powder , harsh cleaning chemicals, brushes, and cloth with coarse surface to prevent scratching and corrosion.

Do not use acid cleaner to clean the faucet as it may cause surface corrosion of the faucet. If the faucet comes into contact with harmful acid substances, please rinse it with water immediately.



◆ IF A LARGE-SCALE CLEAN-UP IS NECESSARY, FOLLOW THESE PROCEDURES

1: Use clean water and soft cloth to remove dirt on the surface as much as possible.

2: Use one of the following cleaners to remove dirt on the surface

Mild liquid cleaner.

Colorless glass cleaner, powder cleaner which does not have abrasive function and can be dissolved completely.

Polish liquid which does not have abrasive function.

3: After cleaning, remove the cleansing agent with clean water completely and wipe with soft cotton cloth.

After-sales contact

Email: contactus24service@gmail.com

TEL: (303) 747-4321

