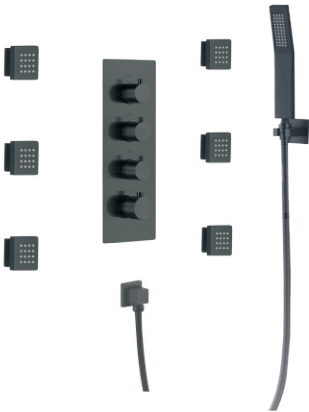
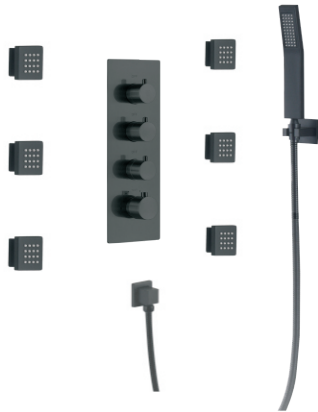


THERMOSTATIC SHOWER Series INSTALLATION GUIDE



Model: 6374



Model: 6374-B

◆ INSTALLATION CONDITION



1.Refer to the 《Standard Part List》 when unpacking , check all parts available .

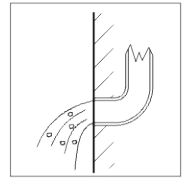
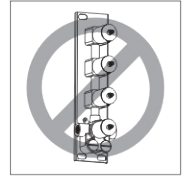
2.Do not disassemble mixer body by yourself.

3.Connect inlet hoses to supply valves.

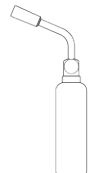
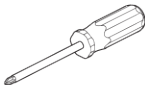
4.Make sure inlet pipes and supply valves have been installed and cleaned, also ensure no impurities in pipeline.

5.After installation , check all joints for leakages.

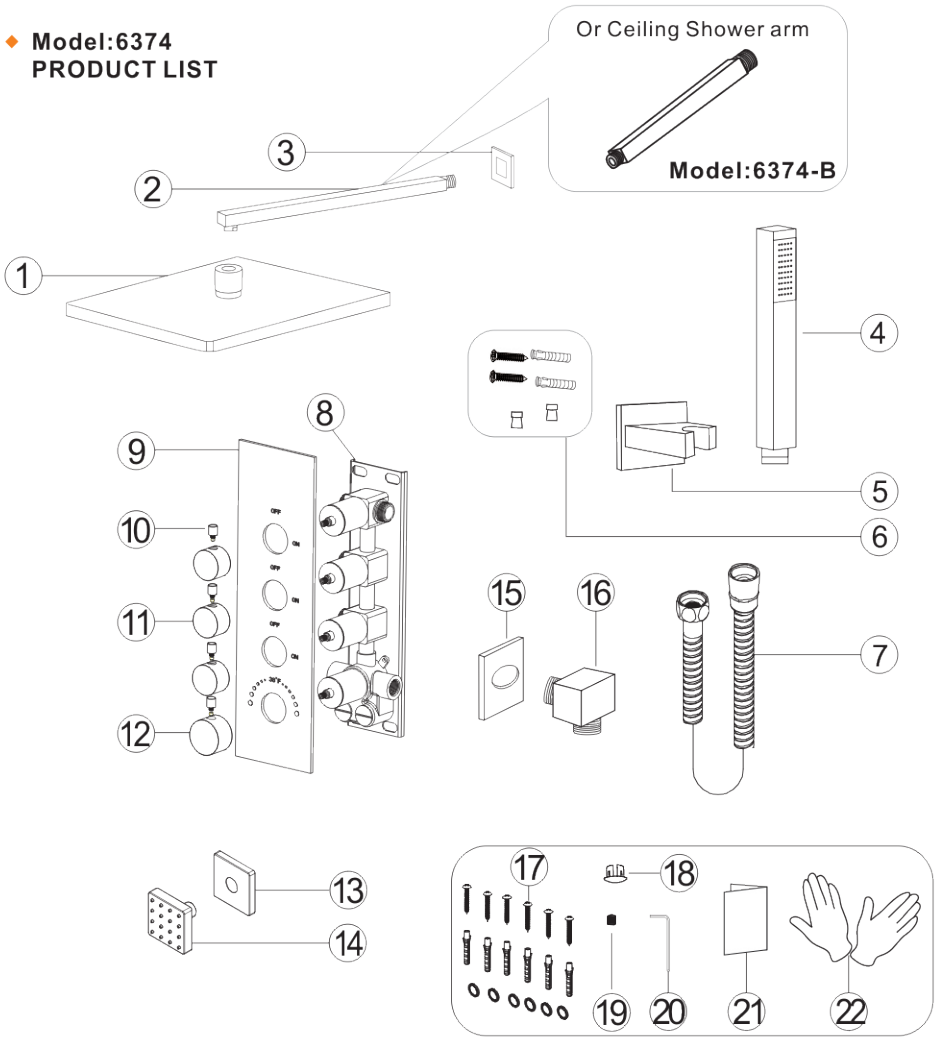
6.Suggest don't fit the faucet in the severely corrosive environments.



YOU MAY NEED:



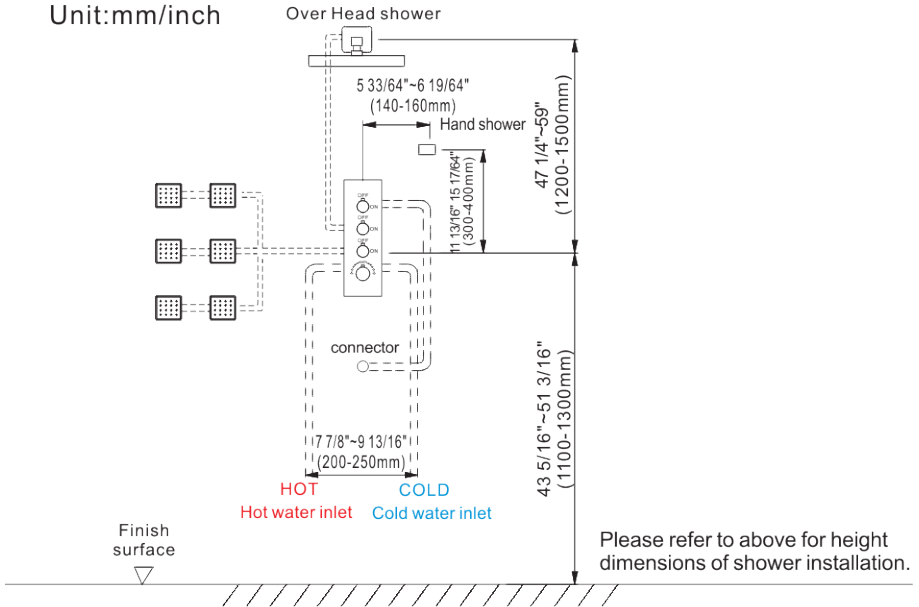
◆ **Model:6374**
PRODUCT LIST



No.	Part name	Qty	No.	Part name	Qty
1	Shower head	1	12	Handle	1
2	Shower arm	1	13	Body jet cup	6
3	Shower arm cup	1	14	Body jet	6
4	Shower hand	1	15	Cup	1
5	Hand show holer	1	16	Connector	1
6	Holder parts	1	17	Valve gasket spare parts	6
7	Shower hose	1	18	Handle cup	1
8	Main body	1	19	Screw	1
9	Panel	1	20	Wrench	1
10	Water diverter rod	3	21	Instruction manual	1
11	Water diverter	3	22	Gloves	2

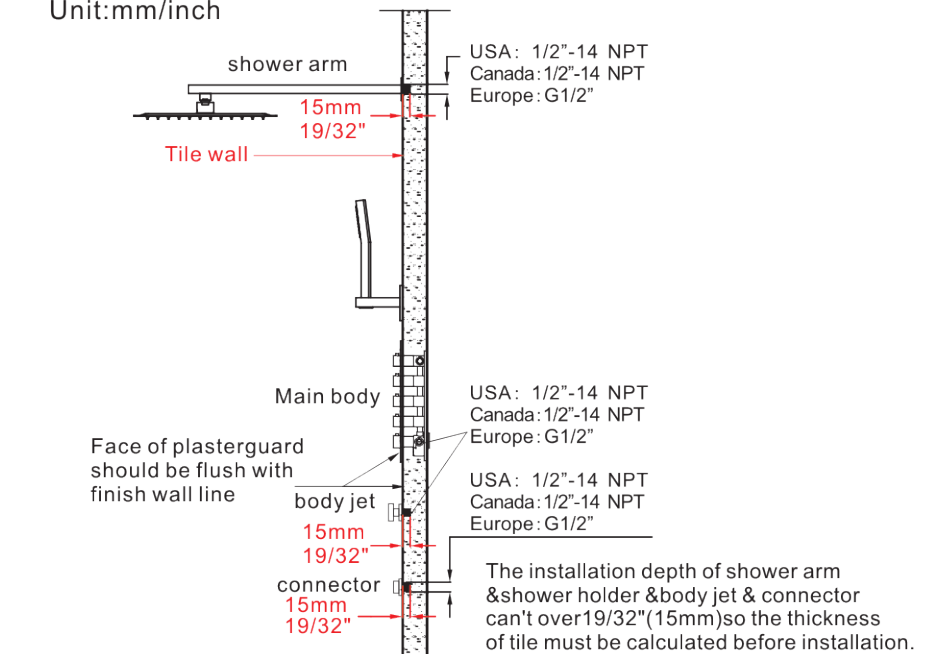
◆ **INSTALLATION SHOWER SET SIZE & WATER PIPE LINE REFERENCE**

Unit:mm/inch



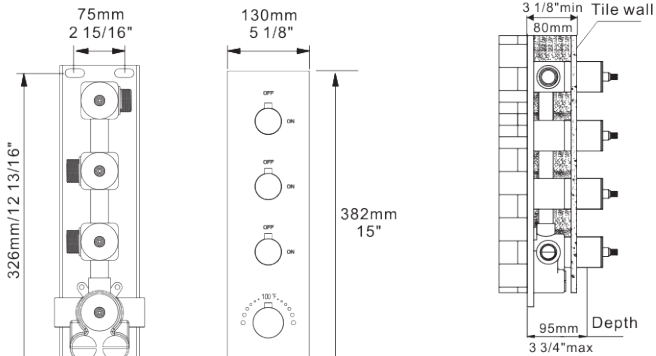
◆ **INSTALLATION DEPTH OF SHOWER ARM & SHOWER HOLDER & BODY JET**

Unit:mm/inch



◆ **INSTALLATION DEPTH OF MAIN BODY**

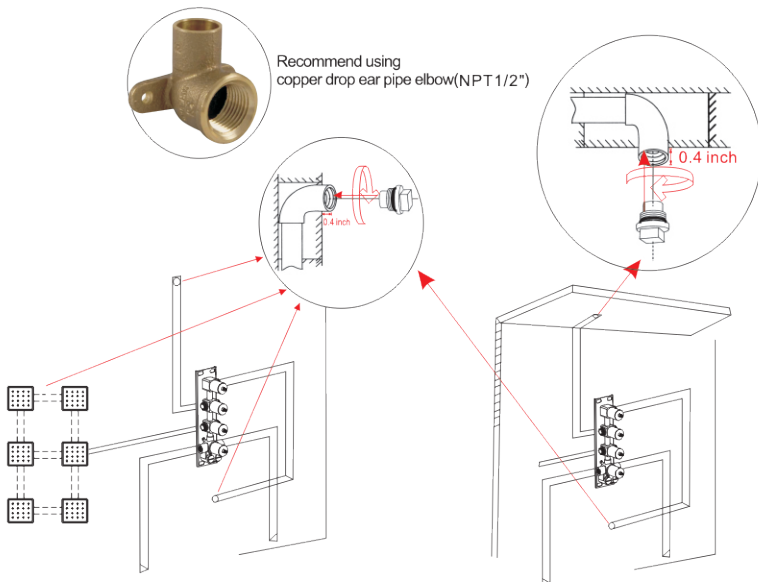
Unit:mm/inch



⚠ The depth of main body should be in the thickness range of wall tile

- 1: Including the thickness of ceramic tile is less than or equal to the thickness of valve 3 3/4" (95mm), so the thickness of tile must be calculated before installation.
- 2: Installation Main body depth not less than 3 1/8"(80mm)min and not more than 3 3/4" (95mm) Max, Otherwise, the panel cannot be installed.

◆ **WALL MOUNTED/CEILING MOUNTED INSTALLATION BEFORE TILING**

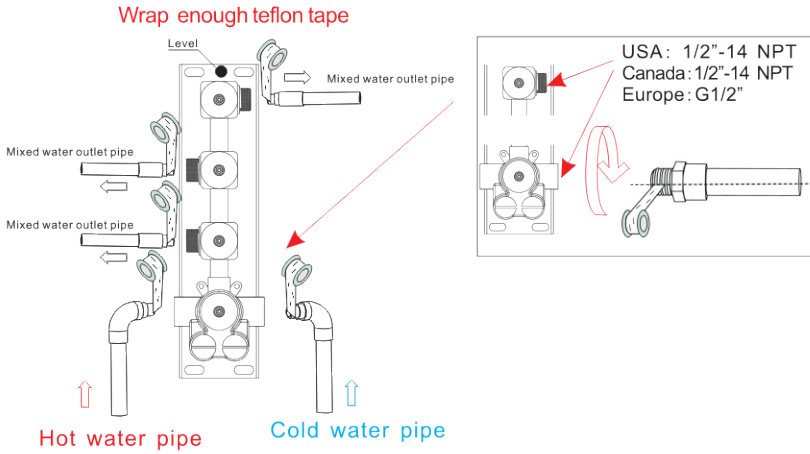


- 1: Recommend using Copper drop ear pipe elbow(NPT 1/2)
USA: 1/14 NPT 2 - Canada: 1/2"-14 NPT Europe: G1/2"

◆ MAIN BODY CONNECTING PIPE SCHEMATIC DIAGRAM

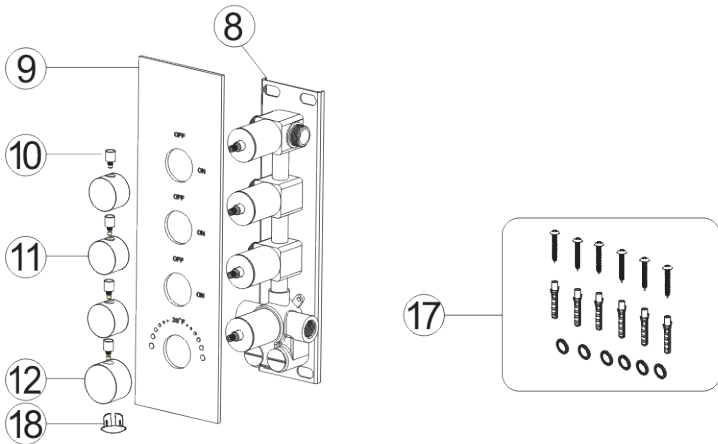


Warning: must install hot water and cold water inlet strictly as instructions.



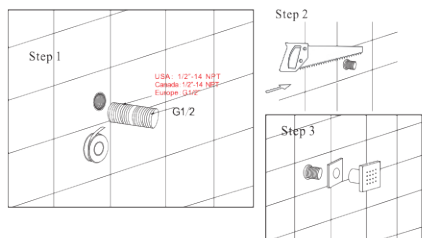
1. As shown in the figure, the inlet and outlet pipes are pre-buried, pay attention to the correct direction of installing the pre-buried main body, and make sure that the mark level on the top of the installation box is facing upward.
2. Install the hot and cold water inlet pipes, Shower head and hand shower holder body jet pipes. Turn on the water source to test whether the left and right inlet pipes are tightly connected without leakage. After the test, adjust the flow switch to be on to test whether the mixed outlet pipe. The connection is tight and there is no leakage.

◆ MAIN BODY VALVE INSTALLATION

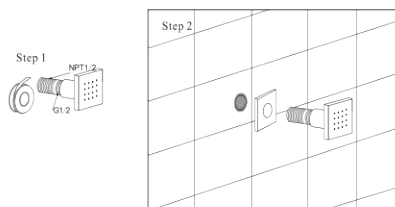


Use ⑰ Valve gasket spare parts and to fixed ⑸ Main body on the wall and then install ⑹ Panel ⑫ Hand ⑬ Hand cup and Hand screw ⑭ Water diverter ⑮ Water diverter rod in the correct order.

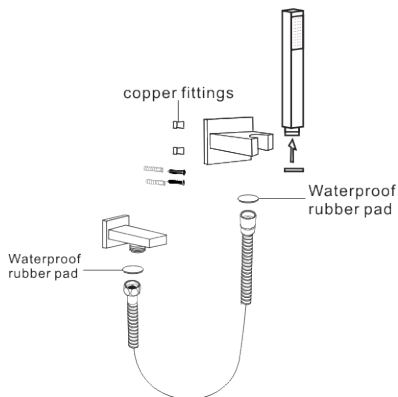
◆ INSTALLATION OF MASSAGE SHOWER



- Step 1. Wrap the threaded pipe of NPT1/2 with Teflon tape and screw it into the wall.
 Step 2. Cut off excess part with a saw.
 Step 3. Put on the decoration cap, then screw the massage shower in.

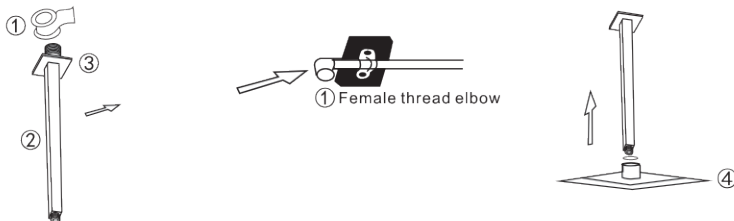


◆ SHOWER HOLDER INSTALLATION INSTALL THE HAND SHOWER HOLDER

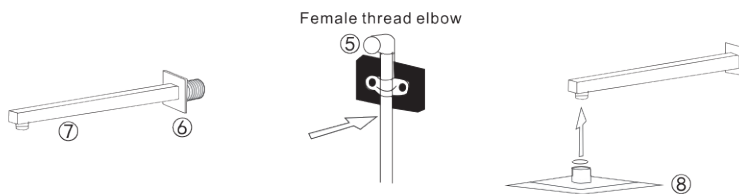


1. The connector to be wrapped with teflon tape, Screw the thread into the water pipe inside the wall.
2. Install the rubber pad on the shower hose and connect it with the connector.
3. Using anchors to screw the copper fittings to the wall firstly
4. Remove two screws on the shower seat
5. Insert the shower seat into the copper fittings that have been installed on the wall and then fix the shower seat with 2 screws

◆ INSTALLATION OF RAIN SHOWER HEAD& SHOWER ARM



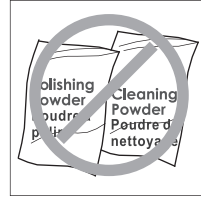
Connect top outlet ① to shower arm ② with proper fittings. To prevent damage, to finish on shower arm, insert wall end of shower arm into shower flange ③ before screwing arm into riser connection. Thread showerhead ④ onto shower arm. Apply tape to pipe threads on both ends. Do not overtighten showerhead. The showerhead is 360° swivel connection.



Connect top outlet ⑤ to shower arm ⑦ with proper fittings. To prevent damage, to finish on shower arm, insert wall end of shower arm into shower flange ⑥ before screwing arm into riser connection. Thread showerhead ⑧ onto shower arm. Apply tape to pipe threads on both ends. Do not overtighten showerhead. The showerhead is 360° swivel connection.

Do's

1. In order to keep the mixer surface bright, please clean the mixer regularly.
2. Rinse the faucet with clean water and wipe it with a soft cotton cloth.
3. Use one of the following cleaners to remove dirt from the surface:
 - a. Mild liquid cleaner.
 - b. Colorless glass cleaner and powder cleaner that do not cause abrasion and can be dissolved completely.
 - c. Polish liquid that does not cause abrasion.



À faire

1. Pour que la surface du mixeur reste brillante, nettoyez-le régulièrement.
régulièrement le mitigeur.
2. rincer le robinet à l'eau claire et l'essuyer avec un chiffon doux en coton.
avec un chiffon doux en coton.
3. utilisez l'un des nettoyants suivants pour enlever la saleté de la surface la surface :
 - a. Nettoyant liquide doux.
 - b. Nettoyant incolore pour vitres et nettoyant en poudre qui ne causent pas d'abrasion et peuvent être dissous. ne provoquent pas d'abrasion et peuvent être dissous complètement.
 - c. Liquide de polissage qui ne provoque pas d'abrasion.

Don'ts

- a. Avoid using cleaning powder, harsh cleaning chemicals, brushes and coarse cloth to prevent scratching and friction.
- b. Do not use acid cleaners to clean the faucet as they may cause surface corrosion of the faucet. If the faucet is exposed to harmful acid substances, please rinse it immediately with water.

À ne pas faire

- a. Éviter d'utiliser de la poudre de nettoyage, des produits chimiques agressifs, des brosses et des chiffons grossiers pour éviter les rayures et les frottements.
- b. Ne pas utiliser de nettoyants acides pour nettoyer le robinet car ils peuvent provoquer une corrosion de la surface du robinet. de la surface du robinet. Si le robinet est exposé à des substances acides nocives, veuillez le rincer immédiatement à l'eau. immédiatement à l'eau.

Website: www.mondawe.com
Customer Service: service@mondawe.com
Phone: 888-328-5111

Site web : www.mondawe.com
Contact de service: service@mondawe.com
Téléphone: 888-328-5111