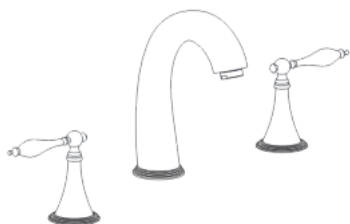
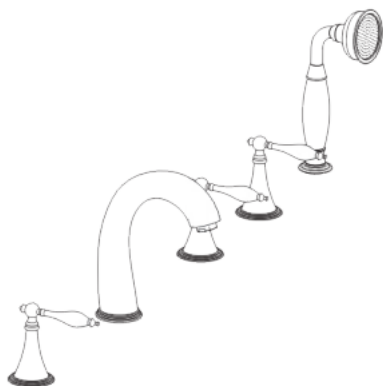


Instruction Manual

Basin faucet & Bathtub faucet System



Model:2048



Model:DM-LT23

Installation Condition



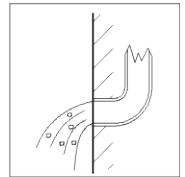
1.Refer to the 《Standard Part List》 when unpacking ,
check all parts available .



2.Do not disassemble mixer body by yourself.

3.Connect inlet hoses to supply valves.

4.Make sure inlet pipes and supply valves have been
installed and cleaned, also ensure no impurities in
pipeline.

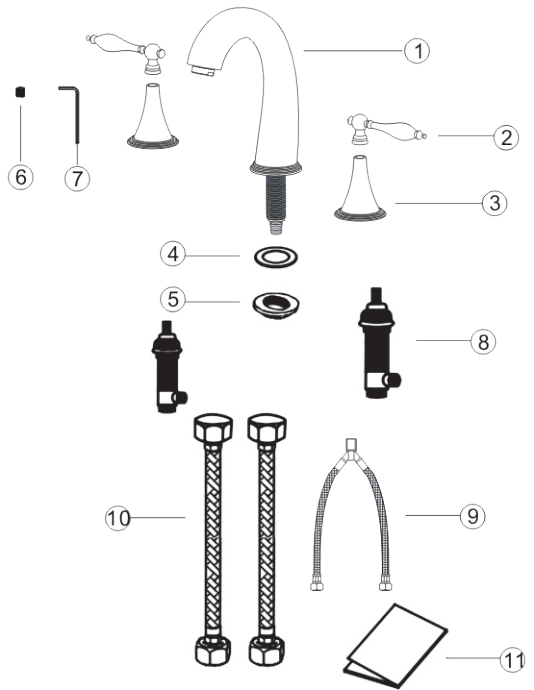


5.After installation , check all joints for leakages.

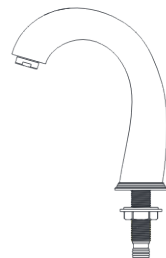
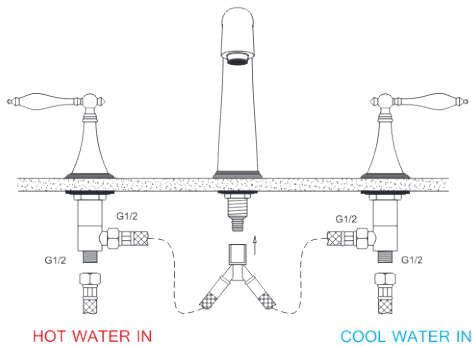
6.Suggest don't fit the faucet in the severely corrosive
environments.

Basin Faucet Standard Part List

NO	Part Name	Quantity
1	Faucet Body	1
2	Handle rod	2
3	Handle	2
4	Faucet Body Gasket	1
5	Nut	1
6	Handle Screw	1
7	Handle Wrench	1
8	Control Water Body	2
9	Connect Hose	1
10	Hot and Cold Hose	2
11	Instruction Manual	1

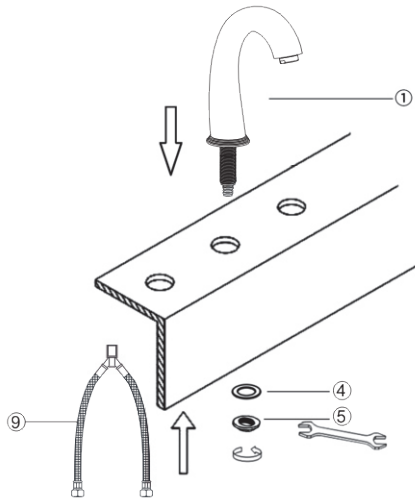


Hose Connection Travel



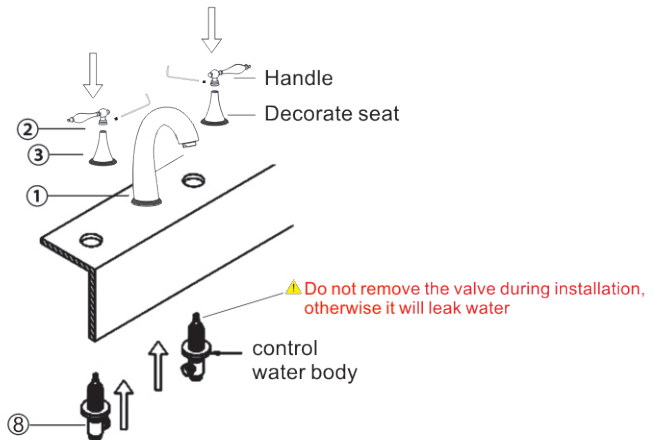
Basin Faucet Installation

1



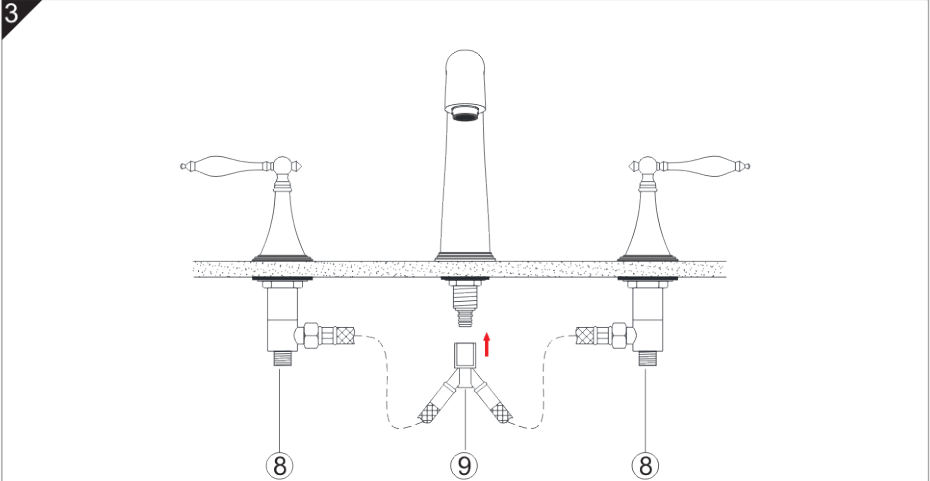
Faucet Body ① through the basin hole. Install Faucet Body Gasket ④ and Mounting Nut ⑤ in sequence and tighten the nut with a wrench. Press and hold the button on the ⑨. Connect hose head to connect to the body fitting

2

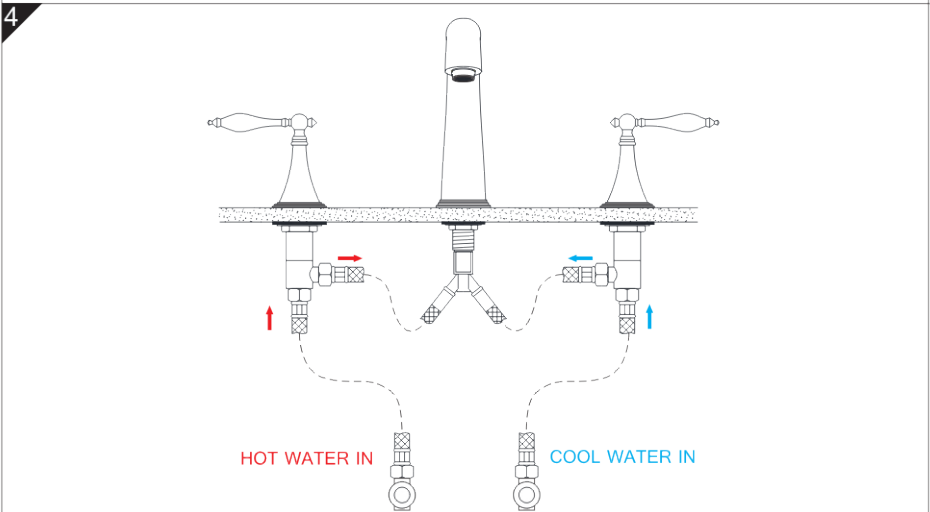


Remove the Handle ③ and put them on the basin holes. Connect the Control Water Bodies ⑧ with ③ Handle and ② Handle rod from the underside of the basin holes. Finally install the ② Handle rod and use Screws tighten them. (Not to disassembled the valve by yourself, otherwise leakage will occur.)

Basin Faucet Installation



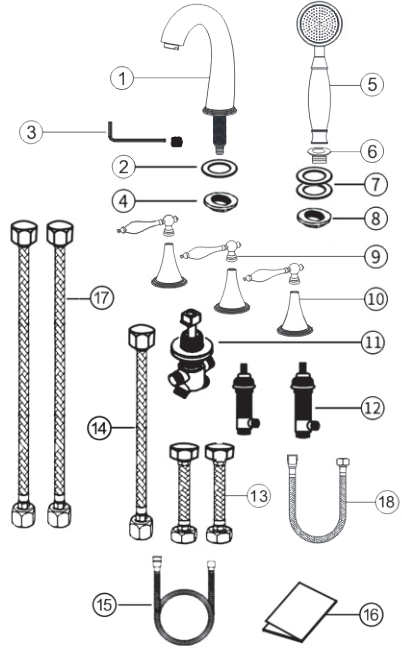
Connect one side of the inlet ⑨ connect hoses to the ⑧ Control Water Bodies.



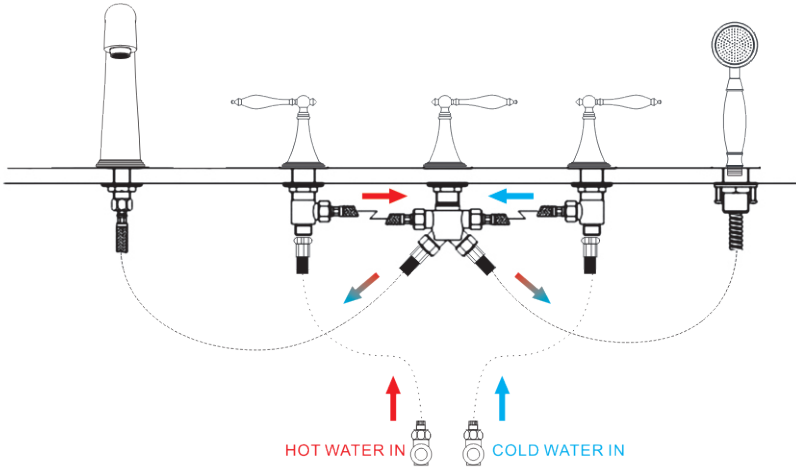
Separately connect another two inlet hoses to angle valves and control water bodies, left connect to the hot water, right connect to cold water.

Bathtub Faucet Standard Part List

NO	Part Name	Quantity
1	Faucet Body	1
2	Faucet Body Gasket	1
3	Handle Parts	3
4	Mounting Nut	1
5	Hand Shower	1
6	Hand Pedestal	1
7	Pedestal Gasket	2
8	Mounting Nut	1
9	Handle	3
10	Handle rod	3
11	Transforms Control Valve	1
12	Control Water Body	2
13	Hand Connect Hose	2
14	Shower Connect Hose	1
15	Shower Hose	1
16	Instruction Manual	1
17	Hot and Cold Hose	2
18	Connect Hose	1

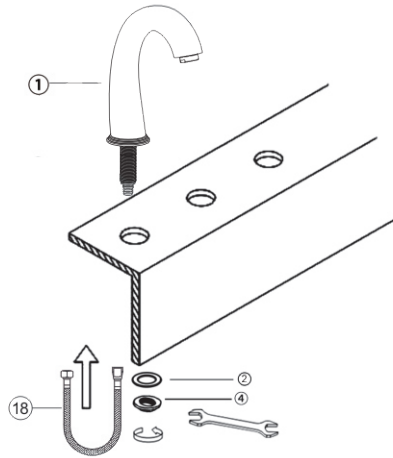


Hose Connection Travel



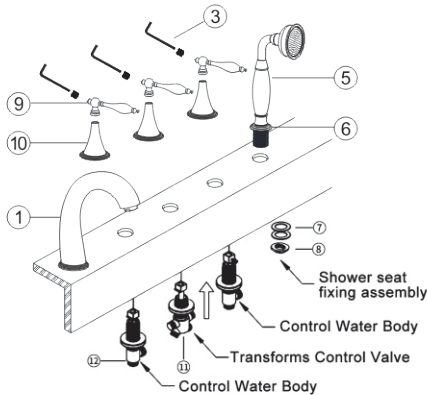
Bathtub Faucet Installation

1



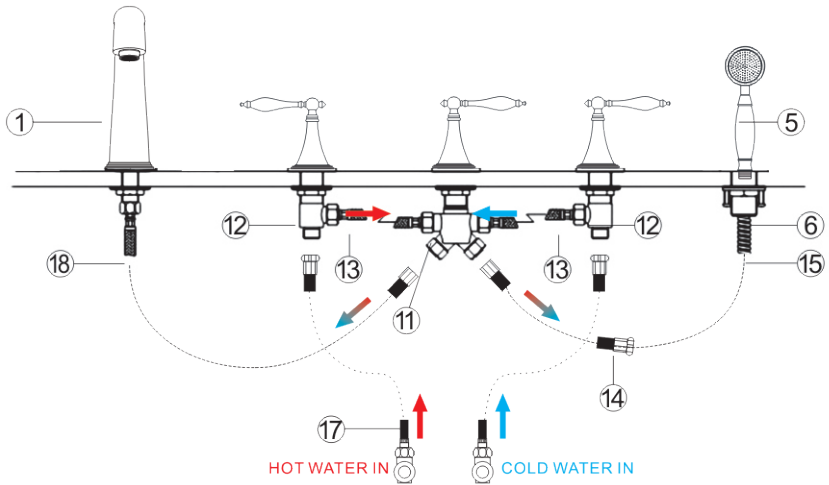
Faucet Body ① through the basin hole. Install Faucet Body Gasket ② and Mounting Nut ④ in sequence and tighten the nut with a wrench. Press and hold the button on the ⑱. Connect hose head to connect to the body fitting

2



Remove the handle ⑩ and put them on the bathtub holes Connect Transforms Control Valve ⑪ and Control Water Bodies ⑫ with Decorate Seats ⑩ from the underside of the bathtub holes, and tighten them. Then install the Handles ⑩ and tighten them. Hand Pedestal ⑥ installation: Remove Pedestal Gaskets ⑦ and Mounting Nute ⑧. Connect them with Hand Pedestal ⑥ from the underside of the bathtub holes, and tighten Mounting Nut ⑧ with a wrench. (otherwise leakage will occur. Left Control Water Body ⑫ connects to the hot water, right connects to cold water.)

Bathtub Faucet Installation



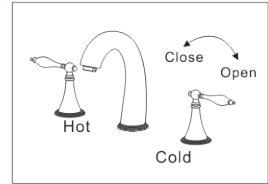
Install Hot and Cold Hoses ⑬ as the above drawings. Connect one side of Hot and Cold Hoses ⑬ with Transforms Control Valve ⑪, the other side to Control Water Bodies ⑫. Left is to hot water, right is to cold water. One side of Shower Hose ⑮ is connected to Hand Shower ⑤, the other side is connected to the Shower Connect Hose ⑭ through Hand Pedestal ⑥. Then the other side of Shower Connect Hose ⑭ is connected to Transforms Control Valve ⑪. Finally one side of Body Connect Hose ⑱ is connected with Faucet body ①, the other side is connected to Transforms Control Valve ⑪, and tighten them. Separately connect another two inlet hoses to angle valves and Control Water Bodies ⑫.



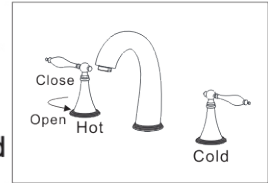
Adjust the handwheel installation position according to your own preference

Basin Faucet Application Instruction

1: Operating handle gradually is better for valve protection



2: The handles turn right or left is to open or close. The larger the rotation angle, the larger the flow rate. Conversely, the smaller the rotation angle, the smaller the flow rate. Mixed warm water when the cold water handle and the hot water handle are opened at the same time.



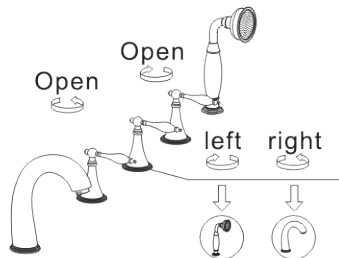
Bathtub Faucet Application Instruction

1: The middle one of the Handles 9 is control water diversion of the Faucet Body 1 and Hand Shower 5. Turn left, water comes out from the Hand Shower 5; turn right, water comes out from the Faucet Body 1.

2: Operating handle gradually is better for valve protection.

3: The handles 9 turn right or left is to open or close. The larger the rotation angle, the larger the flow rate. Conversely, the smaller the rotation angle, the smaller the flow rate. Mixed warm water when the cold water handle and the hot water handle are opened at the same time.

4: Turn on the water supply, check all connect points if leaking. If leaking, tighten it. Now the faucet is ready for using.



◆ CARE AND MAINTENANCE

In order to keep the mixer surface bright , please clean the mixer regularly.

Rinse faucet with clean water and wipe with soft cotton cloth.

Avoid using cleaning powder , harsh cleaning chemicals, brushes, and cloth with coarse surface to prevent scratching and corrosion.

Do not use acid cleaner to clean the faucet as it may cause surface corrosion of the faucet. If the faucet comes into contact with harmful acid substances, please rinse it with water immediately.



◆ IF A LARGE-SCALE CLEAN-UP IS NECESSARY, FOLLOW THESE PROCEDURES

1: Use clean water and soft cloth to remove dirt on the surface as much as possible.

2: Use one of the following cleaners to remove dirt on the surface

Mild liquid cleaner.

Colorless glass cleaner, powder cleaner which does not have abrasive function and can be dissolved completely.

Polish liquid which does not have abrasive function.

3: After cleaning, remove the cleansing agent with clean water completely and wipe with soft cotton cloth.

After-sales contact

Email: contactus24service@gmail.com

TEL: (303) 747-4321