



10'x12'

WALL MOUNT GAZEBO

Assembly Manual

Important Safety Instructions



Warning! To reduce the risk of serious injury, read the following safety instructions before assembling and using the gazebo.

Please check with your local governing authority/local municipal codes regarding installation of structures before assembly.

Caution! Proper placement of your gazebo is essential.

Do not place the product underneath electrical lines.

Keep children away during assembly.

This product contains small parts which can be swallowed by children.

Keep fingers away from the places where they can be pinched or trapped.

Do not attempt to assemble the gazebo if any parts are missing.

- This product is intended for domestic outdoor use only.
- The product should be placed on flat, horizontal ground.
- Ensure enough clearance around the product. Before assembling the product, find level ground not less than 6' (1.8 m) away from any structures or obstructions, such as fences, garages, houses, overhanging branches, laundry lines, or electrical wires.
- This gazebo is not to be regarded as part of a building/house structure. The gazebo is to be anchored onto the ground for added safety. Do not assemble the gazebo onto soil/earth ground. It is best advisable to have the gazebo built onto a wooden deck or concrete ground for stability. If it is to be built onto a wooden deck/ground, do ensure that the wooden deck/ground has a strong foundation. It is advisable to use appropriate floor plugs (not provided) to anchor the gazebo onto the wooden/concrete ground.
- Some structures may require two or more people to install safely. Check for underground utilities before digging or driving stakes into the ground.
- During installation, follow all safety warnings provided with your tools, and use safety glasses.
- In case you set up more than one gazebo, keep a minimum distance of 10' (3 m) between the gazebos.
- Any assembly or maintenance of the product must be carried out by adults only.

- Arrange necessary manpower when assembling or moving the product.
- Some parts may contain sharp edges. Wear protective gloves if necessary.
- Keep children and pets away while setting up the gazebo.
- Check all nuts and bolts periodically to ensure bolts/nuts are tightened.
- Repairing and replacing parts should be done by a qualified technician.
- This gazebo is intended for decorative and sunshade purposes only, and it is not designed to withstand harsh weather, including high winds, rain, and snow.
- Do not light any fires inside or near the product!
- Stay calm if fire breaks out. Search for the nearest exit. Do not return to the gazebo before firemen allow you to do so.
- Do not hang heavy weights on the roof frame.
- Do not climb onto the roof of the gazebo. Falling off the gazebo can result in serious injury.
- Retain the original packaging to store the gazebo.

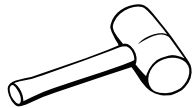
Pre-assembly

TOOLS THAT MAY BE REQUIRED (Not included in boxes)

*NOTE: Tools / equipment are not shown to actual size and scale.



LEVEL



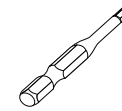
RUBBER Mallet



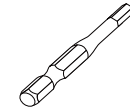
PHILLIPS SCREW



DRILL



ALLEN KEY



ALLEN KEY

EQUIPMENT REQUIRED (Not included in boxes)

*NOTE: Equipment are not shown to actual size and scale.



SAFETY HAT



GLOVES



SAFETY GOGGLES



STEPLADDER

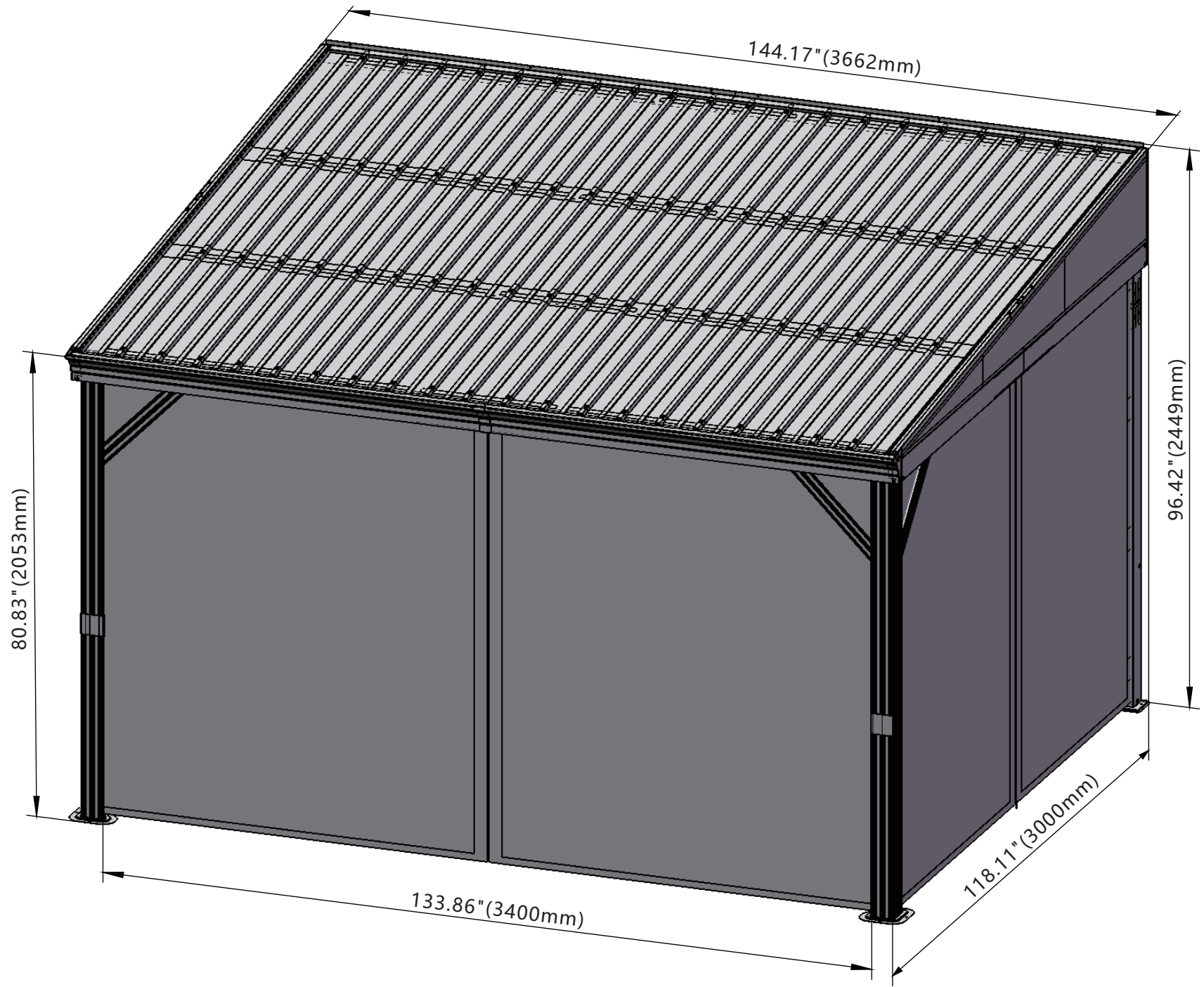
Matters needing attention



1. Two or more people are required for assembly.



2. Do not fully tighten screws prior to complete assembly.





5.04" (128mm)

110.43" (2805mm)



0.31" (8mm)

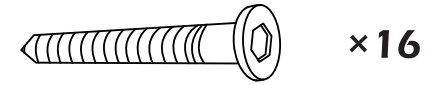
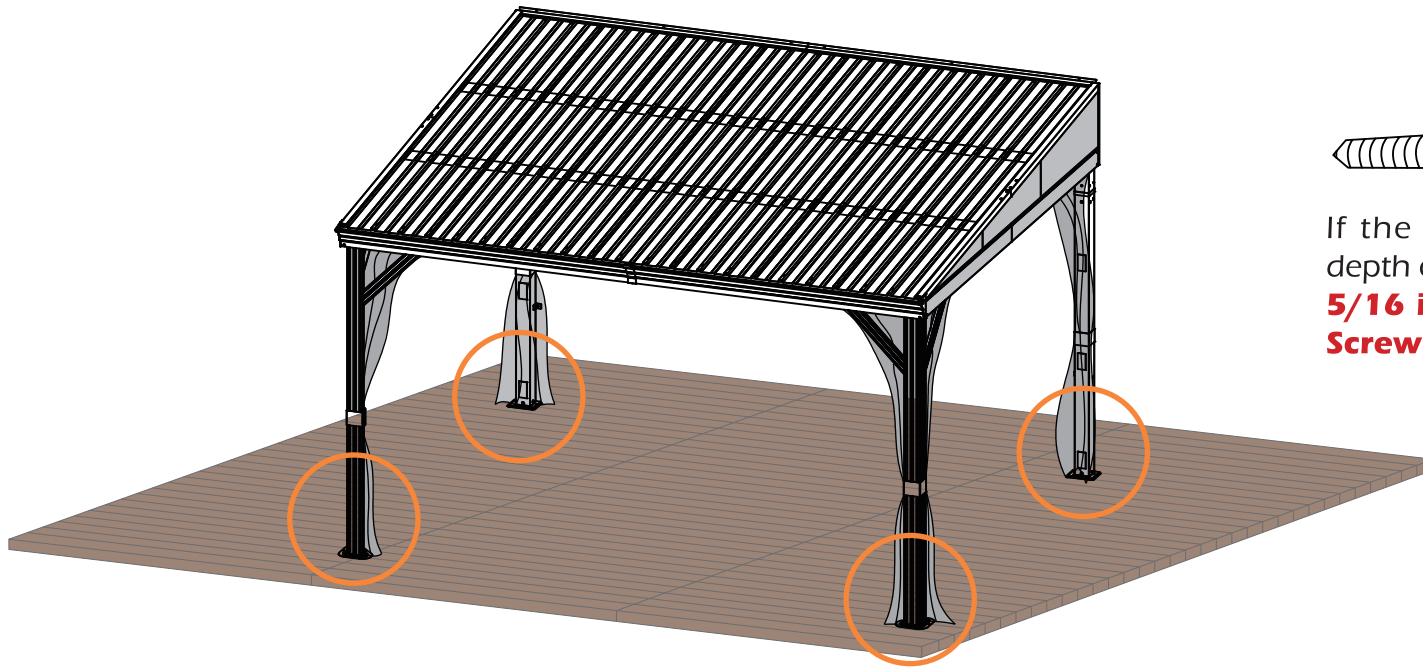
137.83" (3501mm)

144.76" (3677mm)

3.46" (88mm)

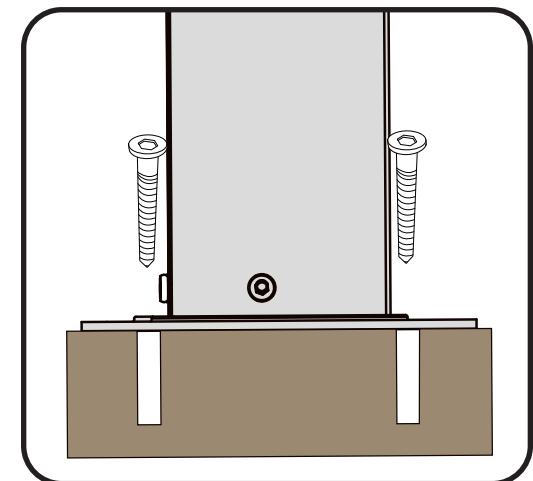
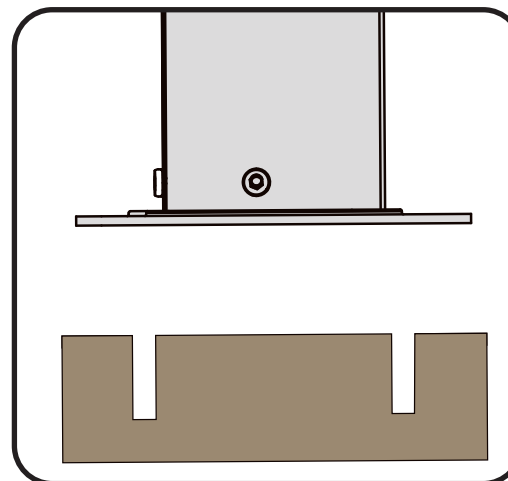


1

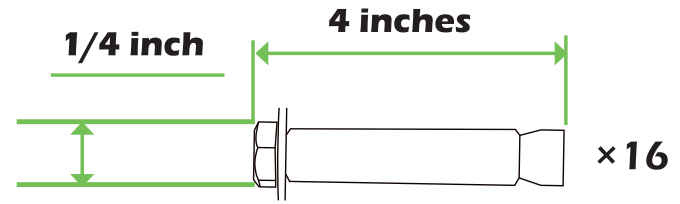
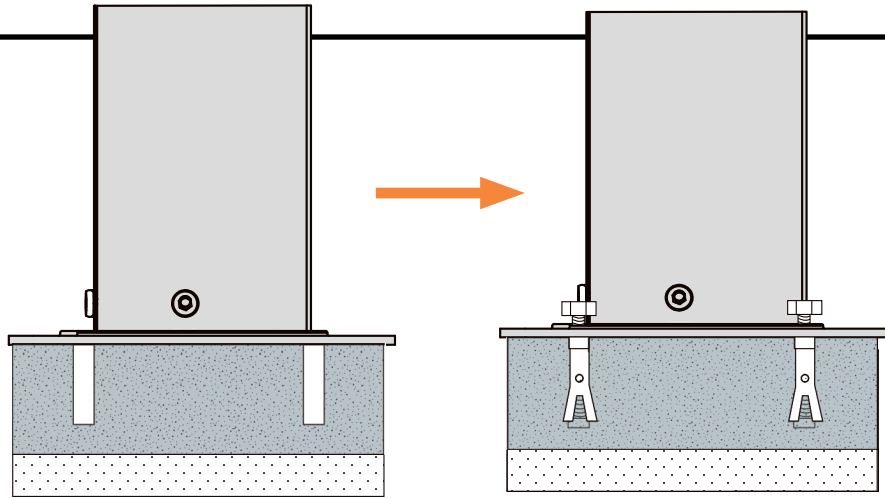


×16

If the deck is hard wood and the depth of it is over 3 inch, you can use **5/16 in. ×4 in. Structural Wood Screw** to mount the pergola.

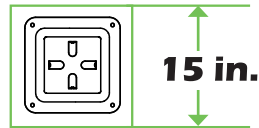
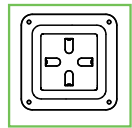


2

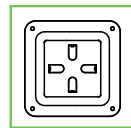
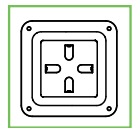


If the ground is concreted and the depth of it is over 3 inch, you can use 1/4 inch expansion bolts to mount the pergola

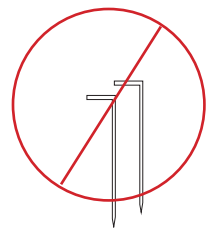
3

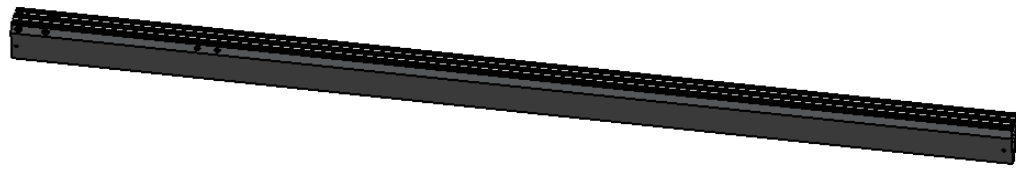


Or you can make a concrete footing for pergola, **15×15×15 inches** is recommended. use expansion bolts to mount the pergola like (2) shows.

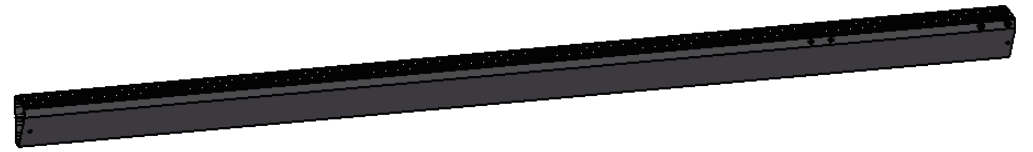


IMPORTANT:
Anchor is not recommended

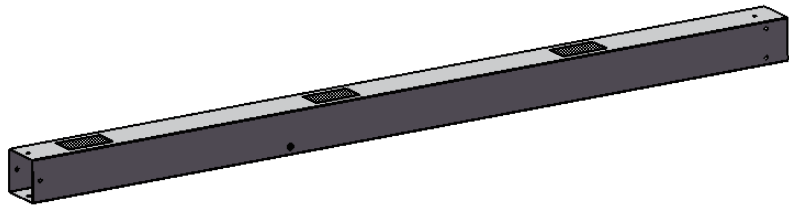




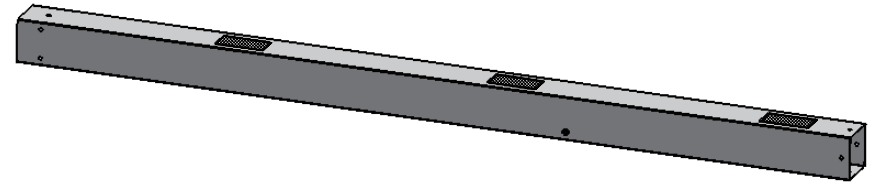
A1 1X



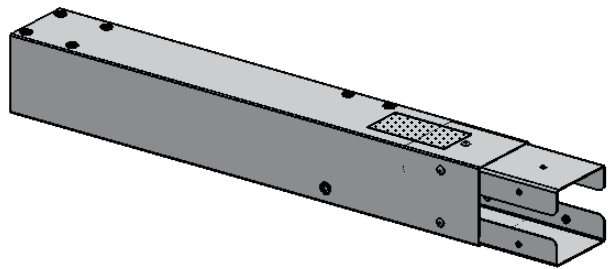
A2 1X



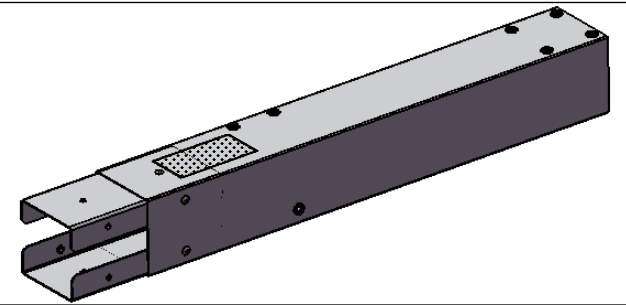
A3 1X



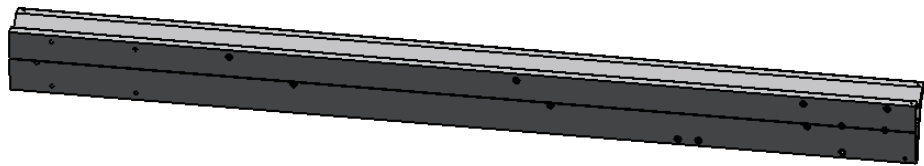
A4 1X



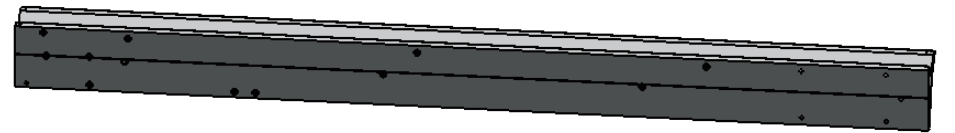
A5 1X



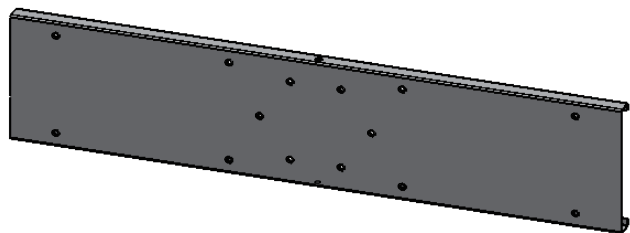
A6 1X



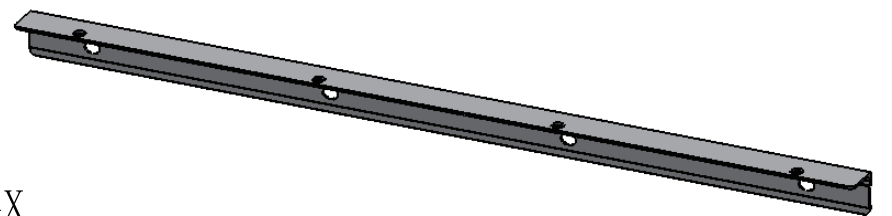
B1 1X



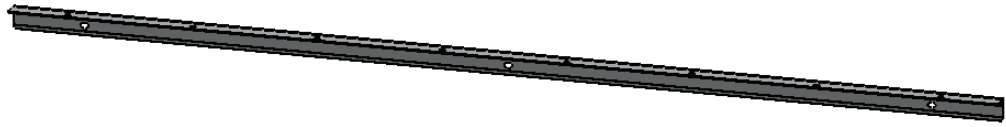
B2 1X



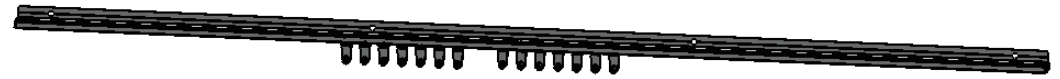
C 1X



D1 4X



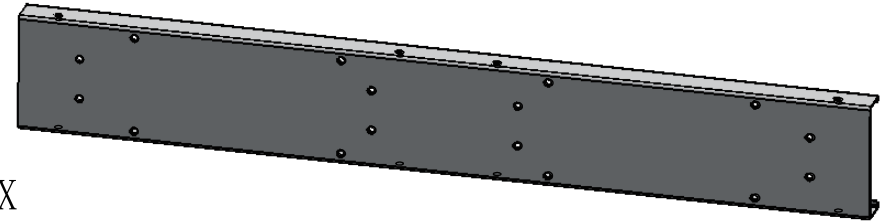
D₂ 8X



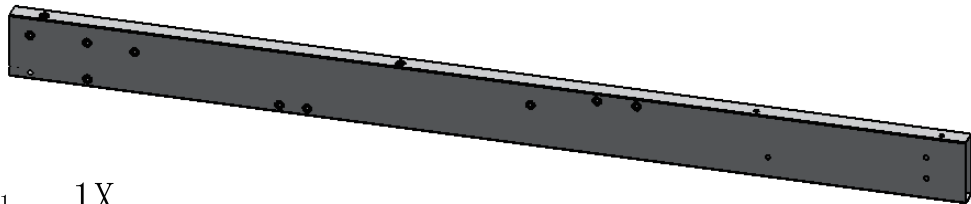
E₁ 2X



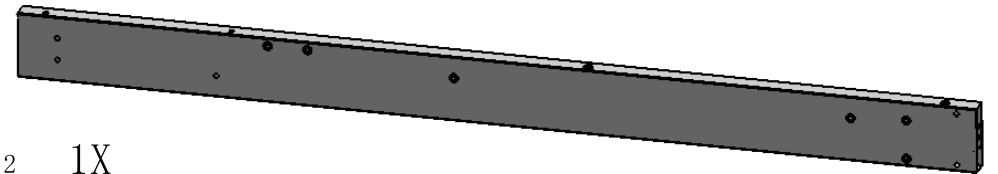
E₂ 4X



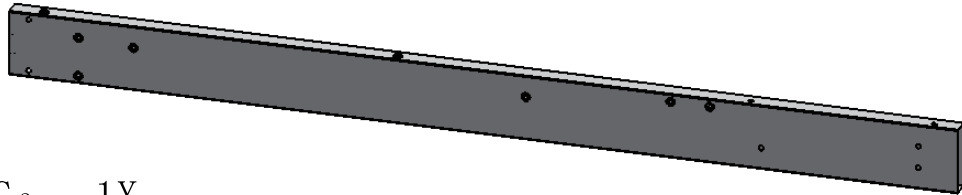
F 5X



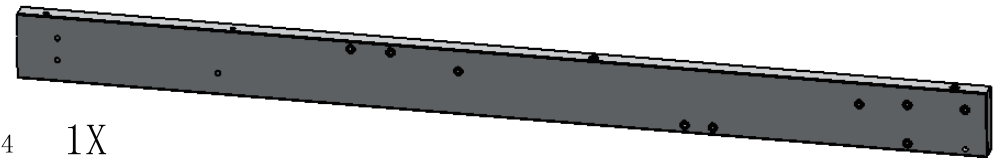
G₁ 1X



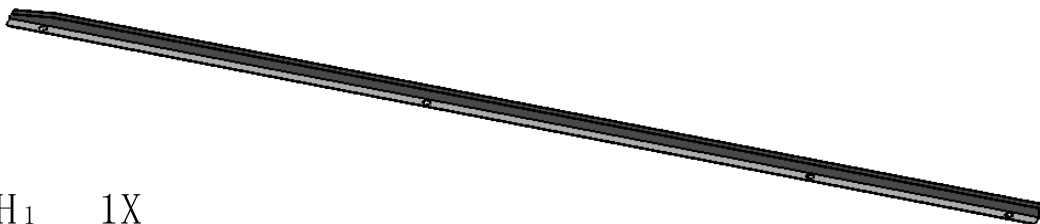
G₂ 1X



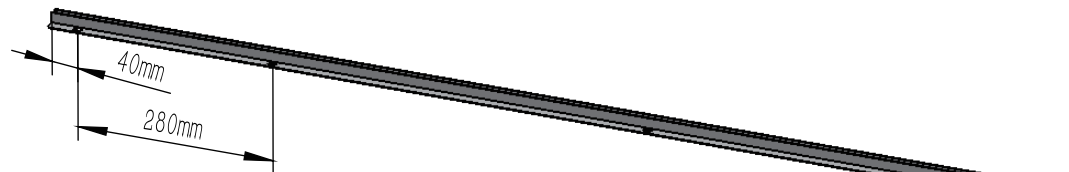
G₃ 1X



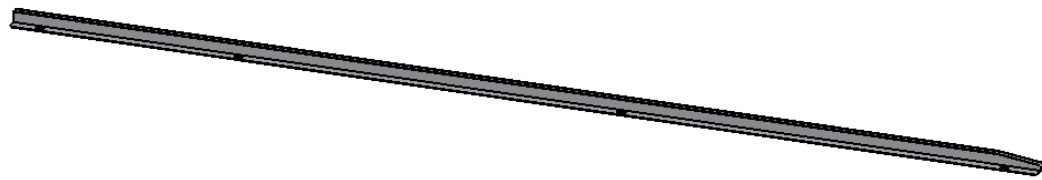
G₄ 1X



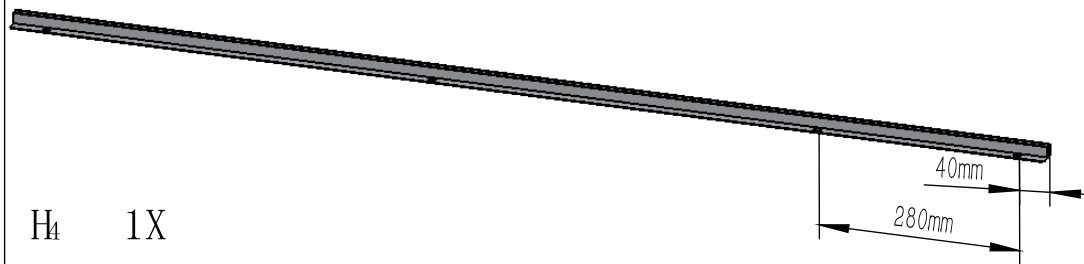
H₁ 1X



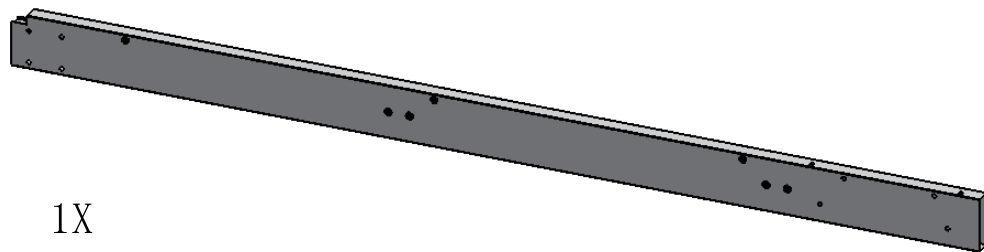
H₂ 1X



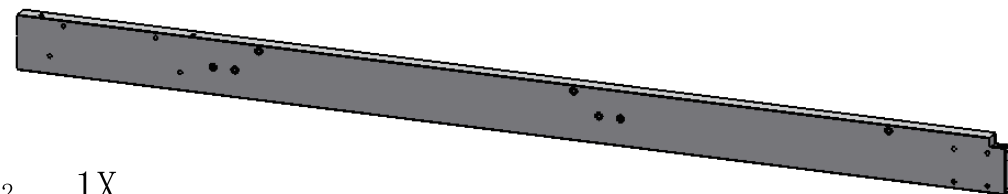
H₃ 1X



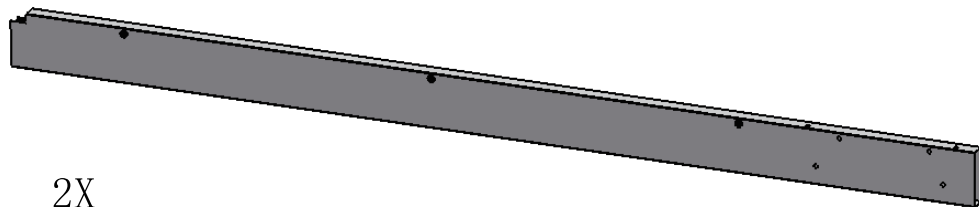
H₄ 1X



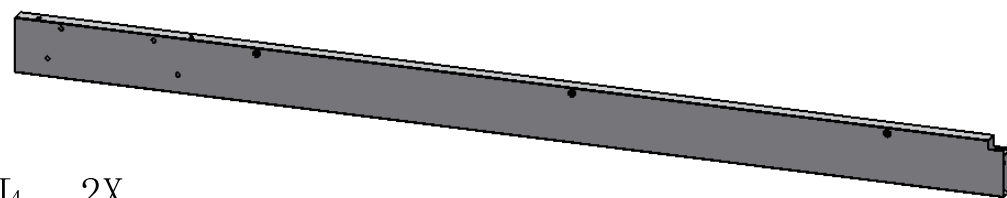
I₁ 1X



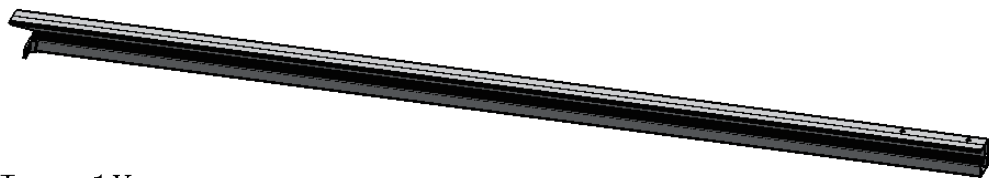
I₂ 1X



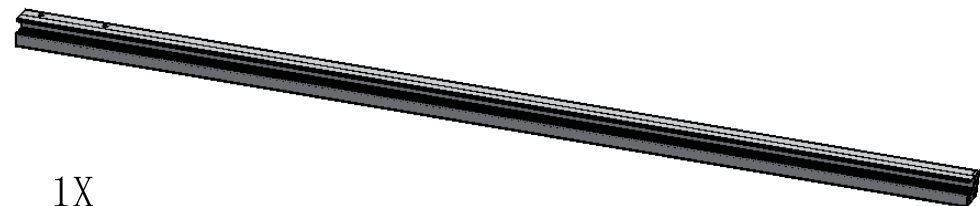
I₃ 2X



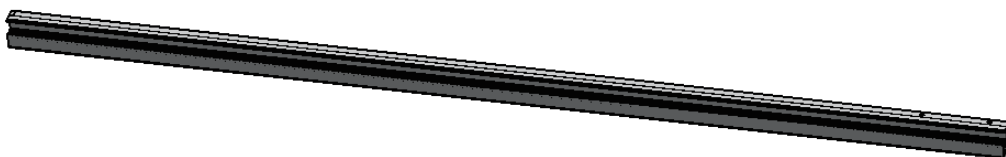
I₄ 2X



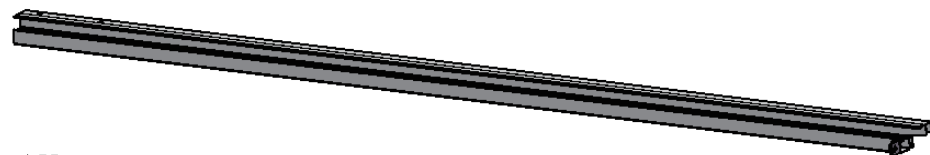
J₁ 1X



J₂ 1X

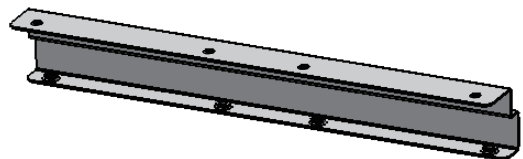


J₃ 1X

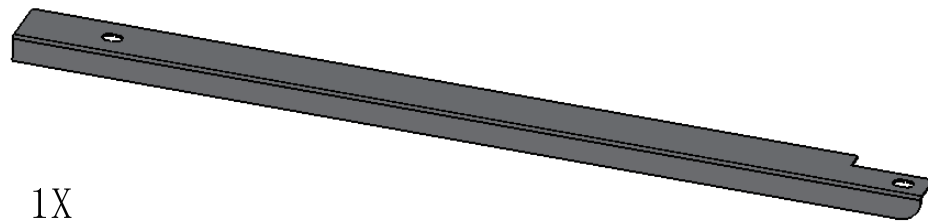


J₄ 1X

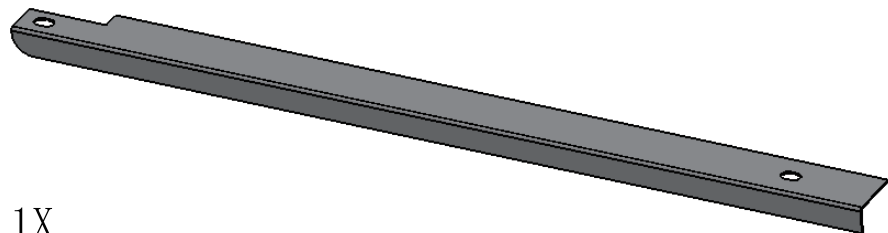
K 2X



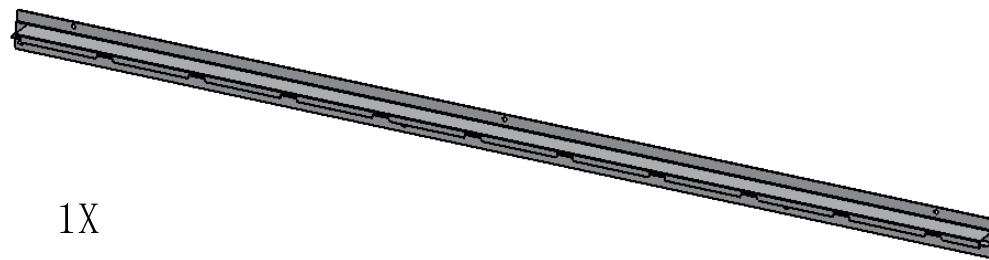
L₁ 1X



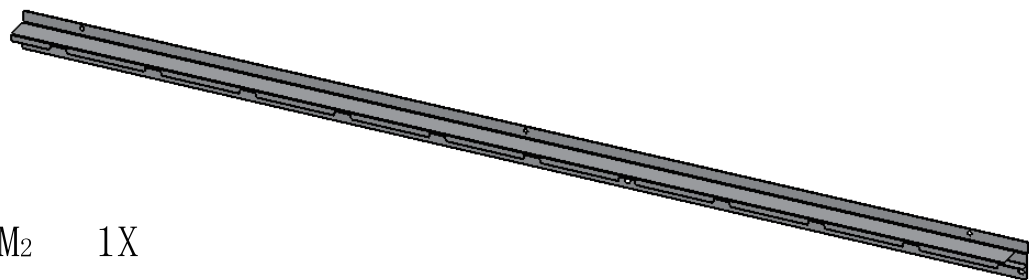
L₂ 1X



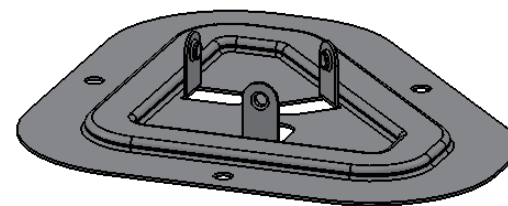
M₁ 1X



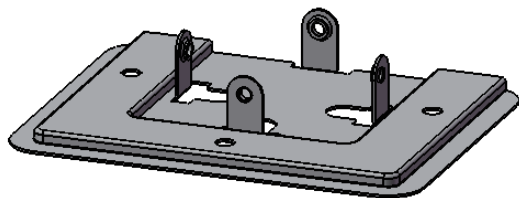
M₂ 1X



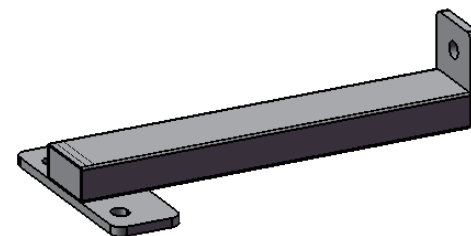
N₁ 2X



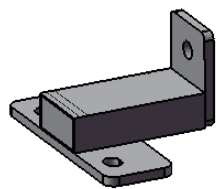
N₂ 2X



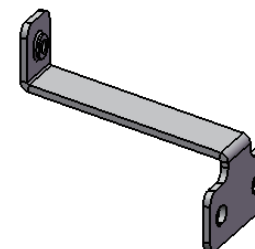
O₁ 2X



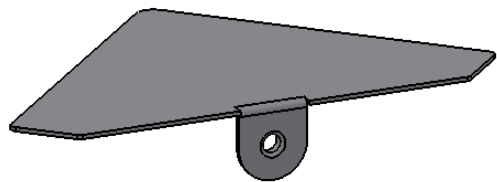
O₂ 2X



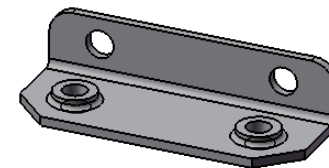
P 4X



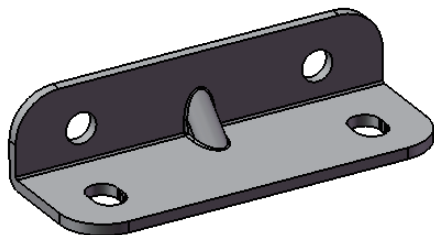
Q 2X



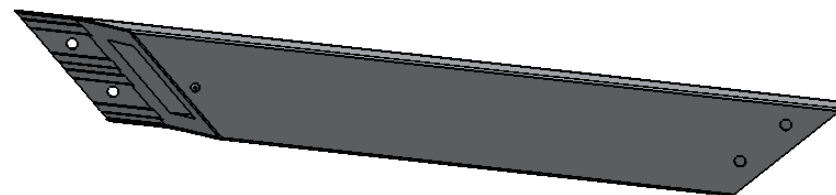
R₁ 4X



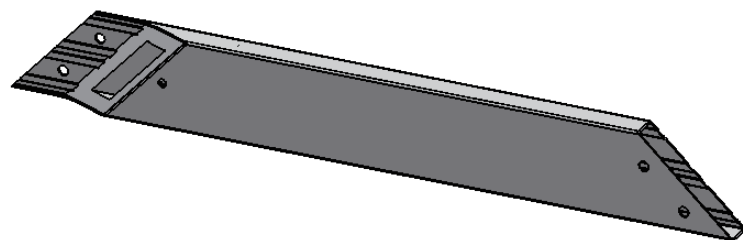
R₂ 6X



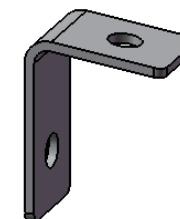
S₁ 2X



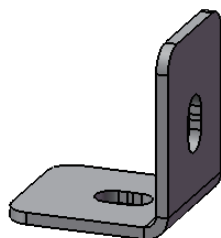
S₂ 2X



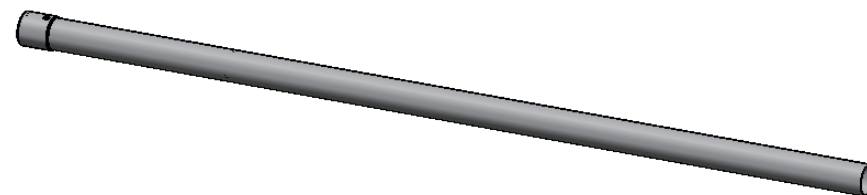
T₁ 6X



T₂ 4X



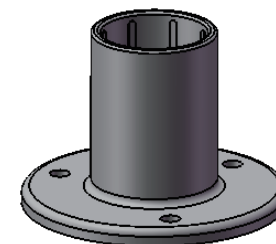
U₁ 2X



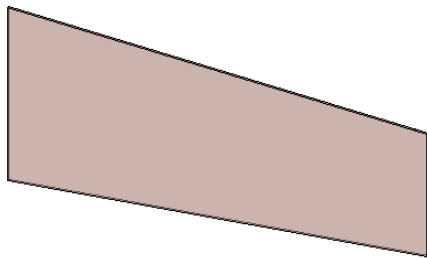
U₂ 2X



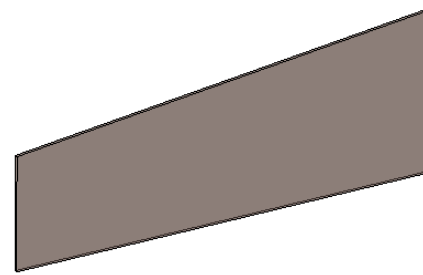
U₃ 2X



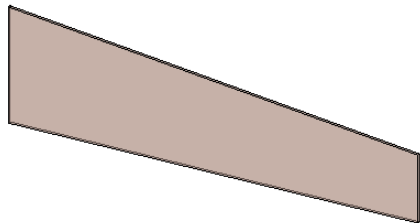
V₁ 1X



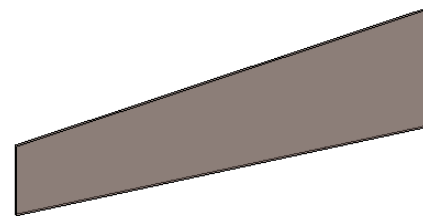
V₂ 1X



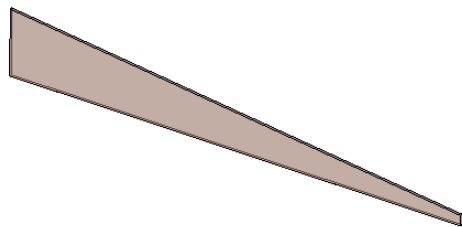
V₃ 1X



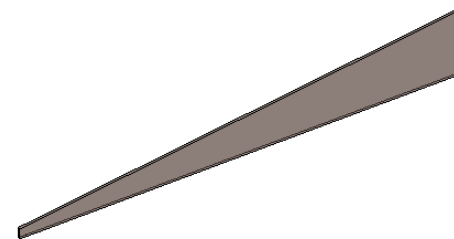
V₄ 1X



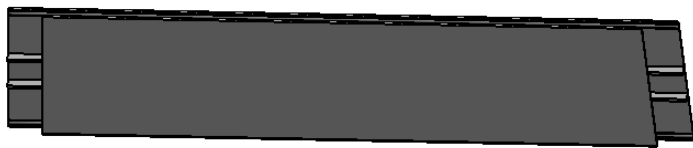
V₅ 1X



V₆ 1X



V₇ 1X



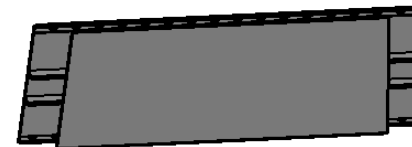
V₈ 1X



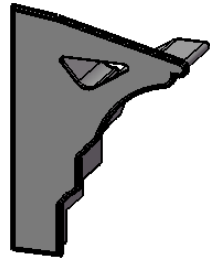
V₉ 1X



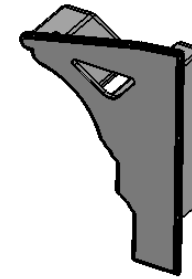
V₁₀ 1X



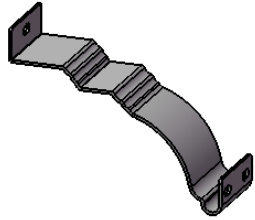
W₁ 1X



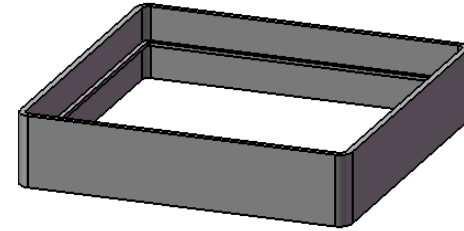
W₂ 1X



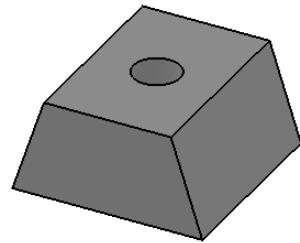
W₃ 1X



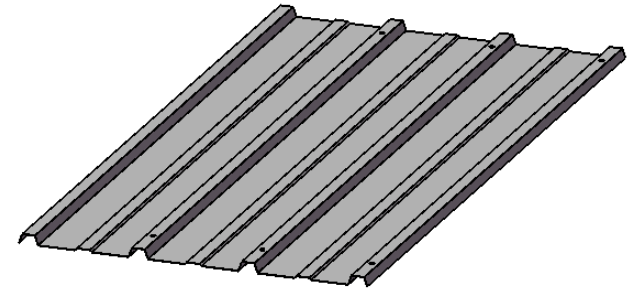
W₄ 2X



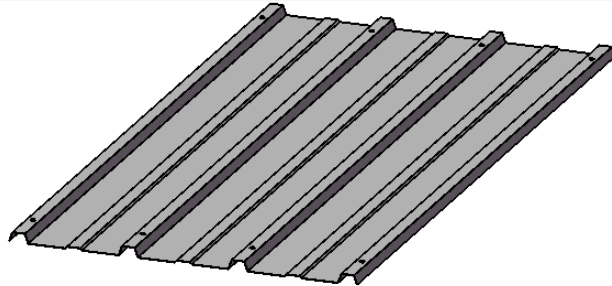
X 80X



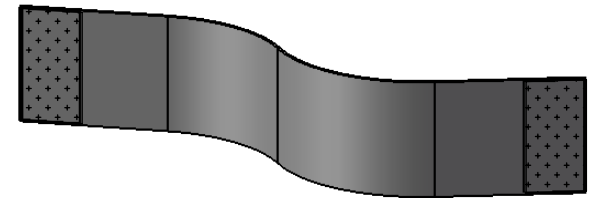
Y₁ 6X



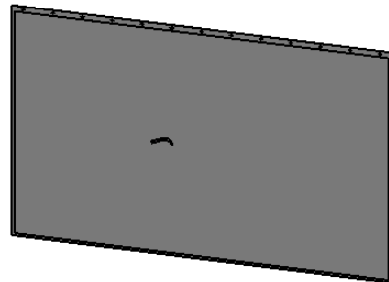
Y₂ 15X



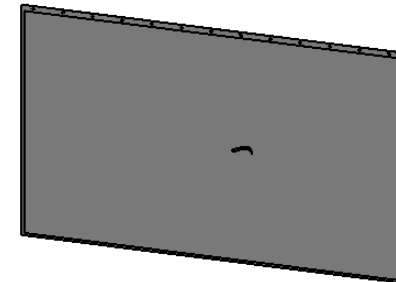
Z₁ 4X



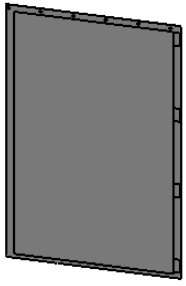
Z₂ 1X



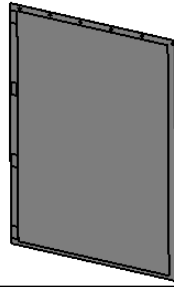
Z₃ 1X



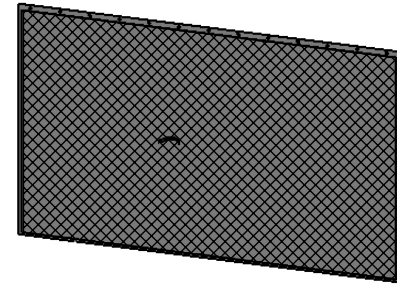
Z₄ 1X



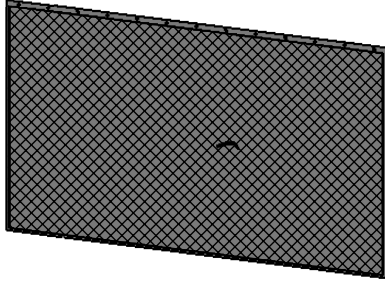
Z₅ 1X



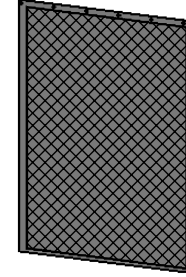
Z₆ 1X



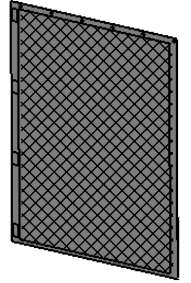
Z₇ 1X



Z₈ 1X



Z₉ 1X

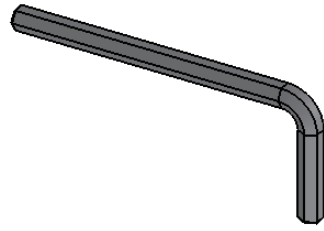


 1# 8 ST4. 8*13	 2# 25 M5*12	 3# 8 M6*10
 4# 244 M6*16	 5# 80 M6*28	 6# 8 M6*40
 7# 2 M6*12 (L20)	 8# 6 M6*15 (L30)	 9# 10 ST6*70
 10# 10	 11# 80 M6	 12# 2 M8*60
 13# 2 M8	 14# 2 M8	 15# 1



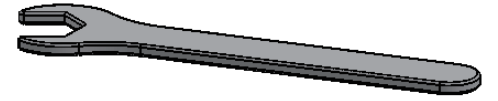
16# 1

S4

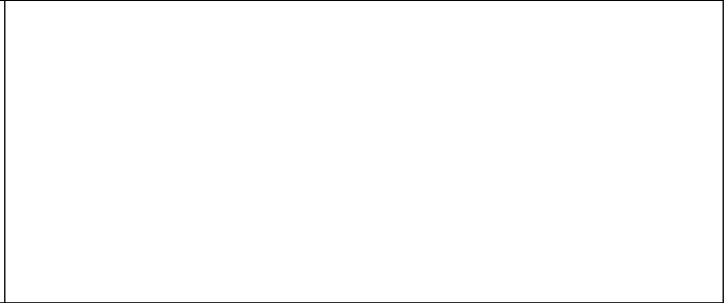
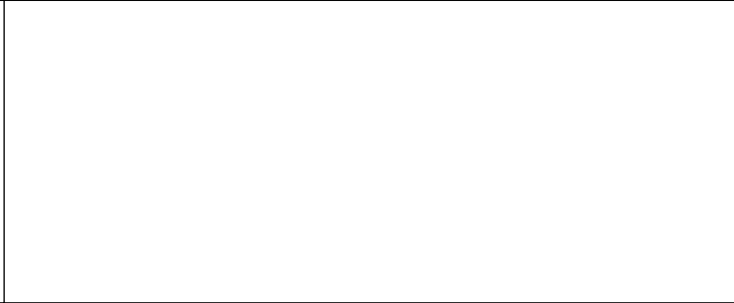
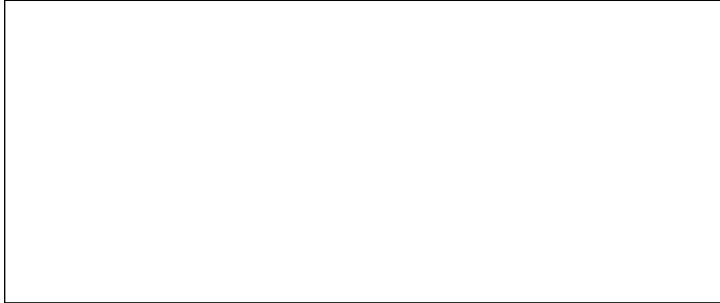
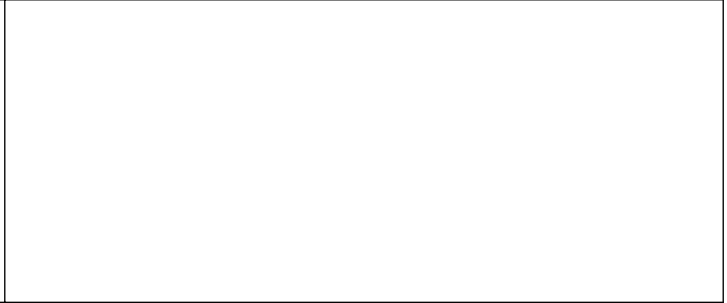
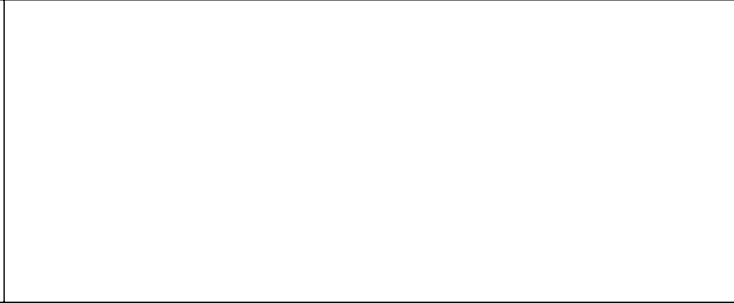
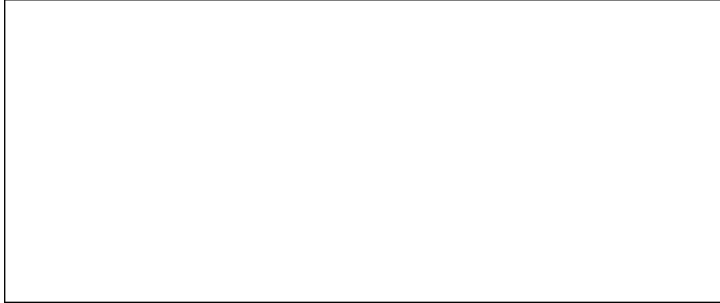


17# 1

S6



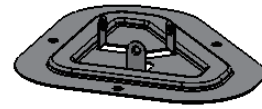
18# 1



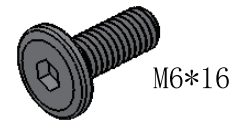


A1 1X

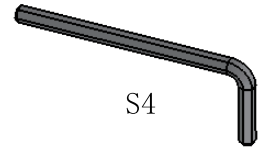
A2 1X



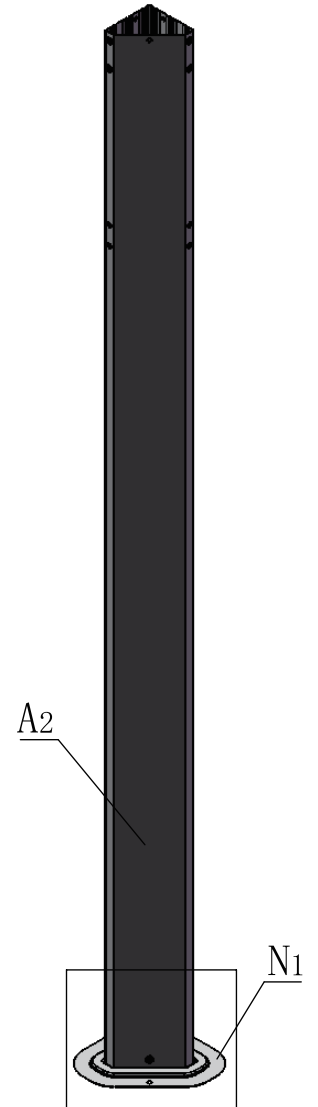
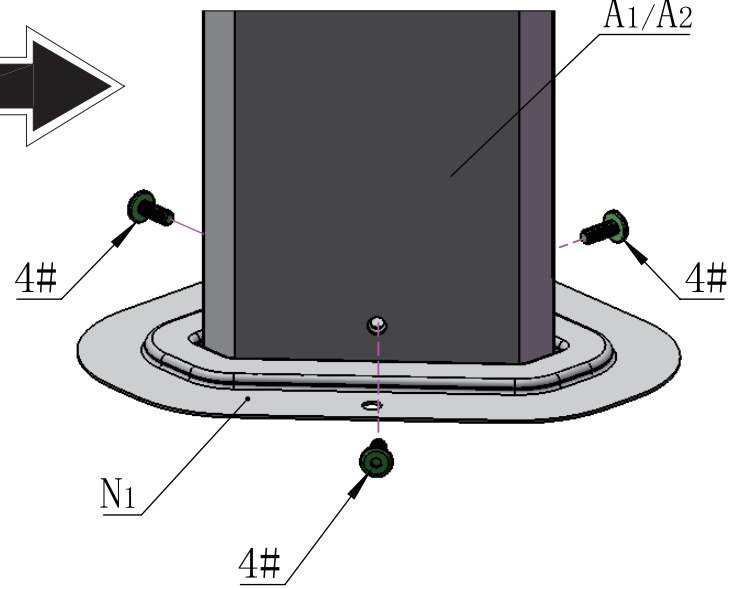
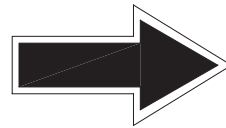
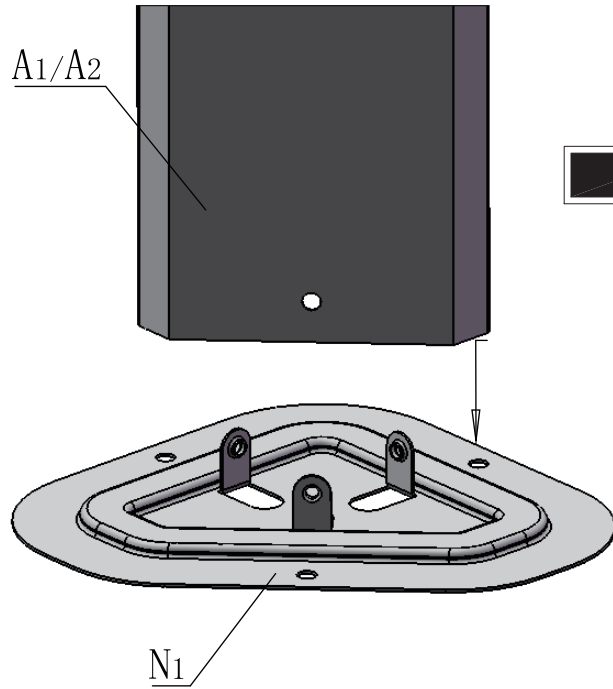
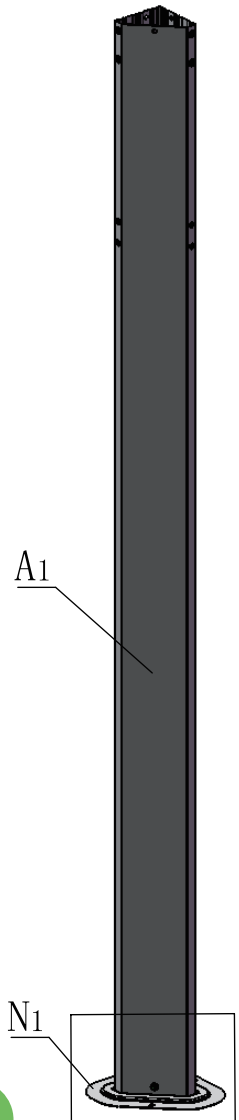
N1 2X



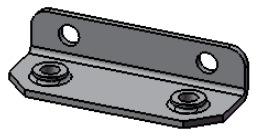
4# 6X



16# 1X



1

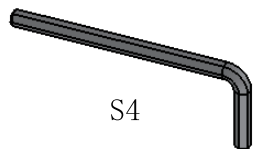


R₁ 4X



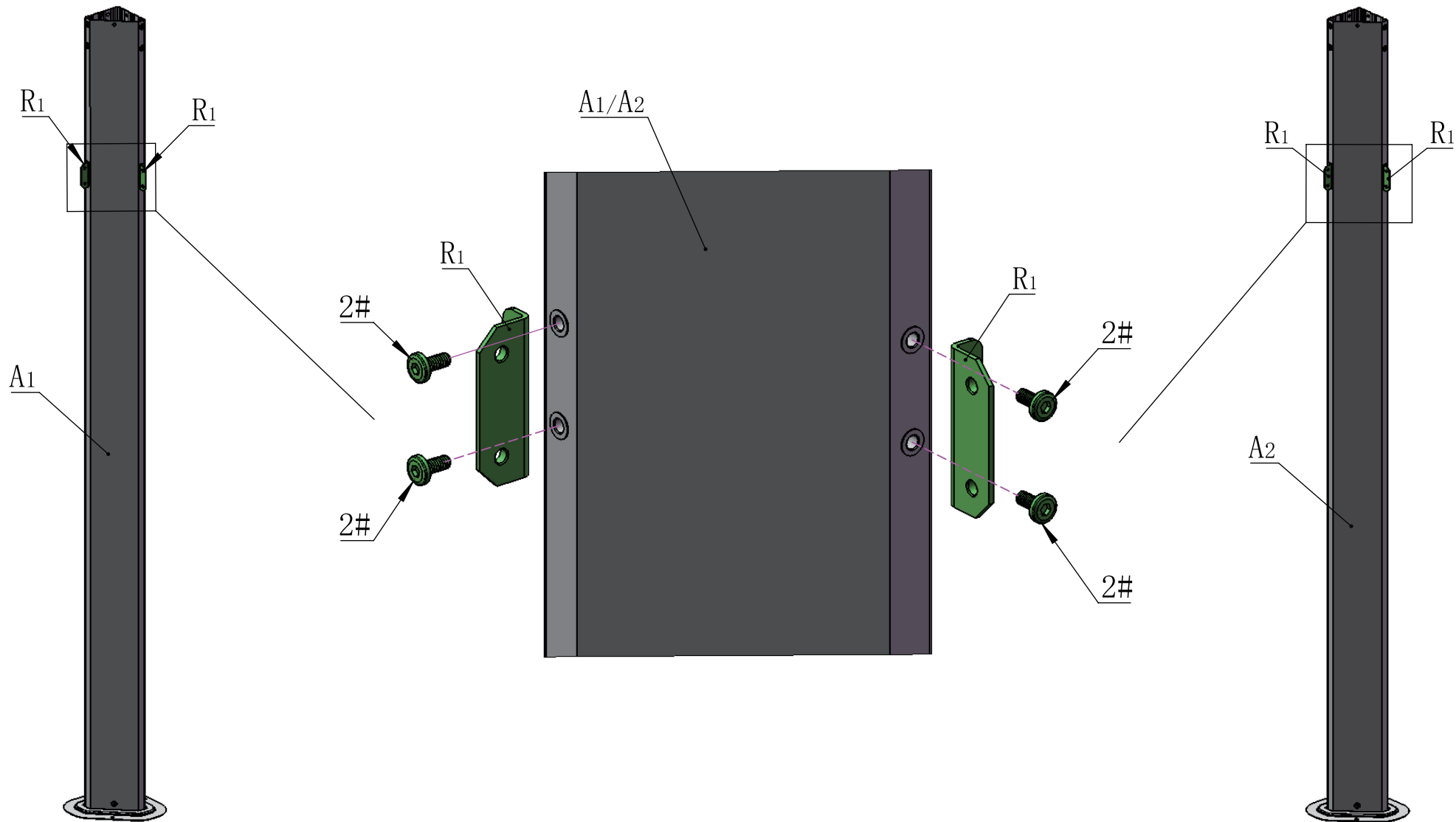
M5*12

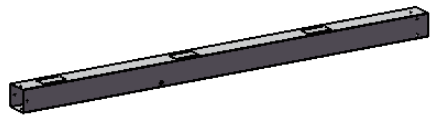
2# 8X



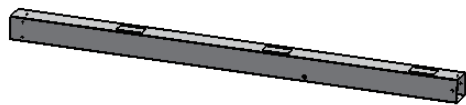
S4

16# 1X

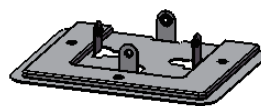




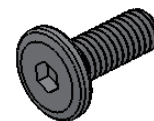
A3 1X



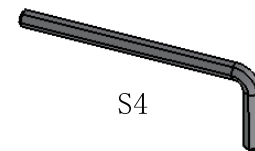
A4 1X



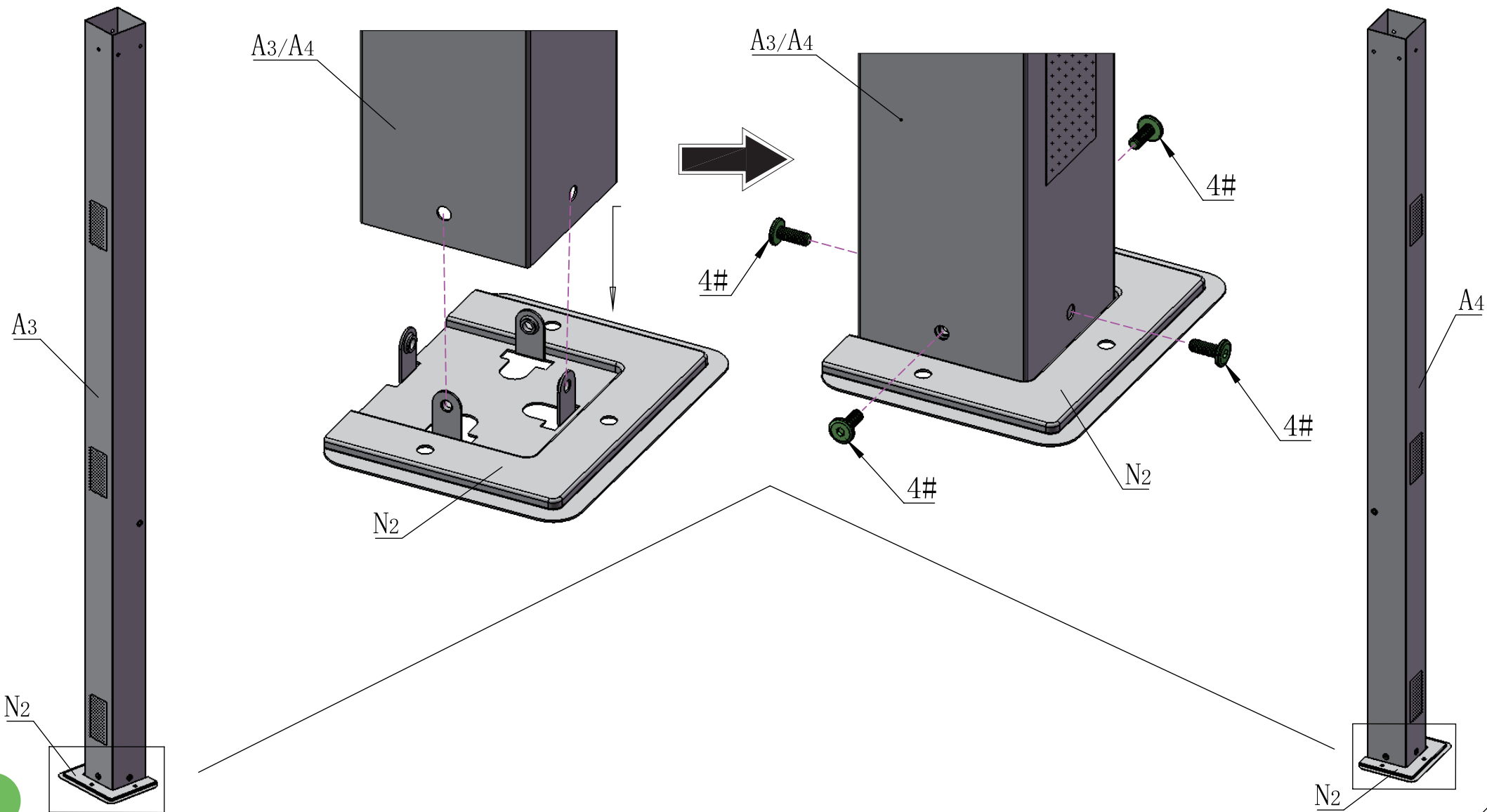
N2 2X

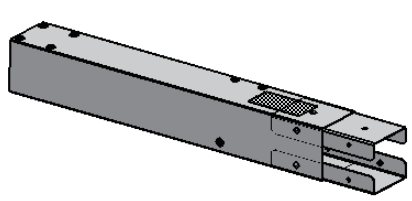


M6*16
4# 8X

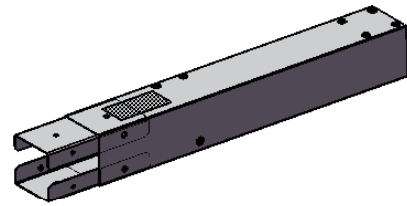


S4
16# 1X

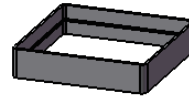




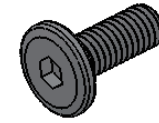
A5 1X



A6 1X

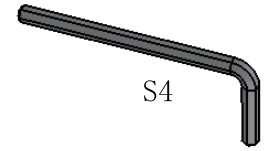


W4 2X



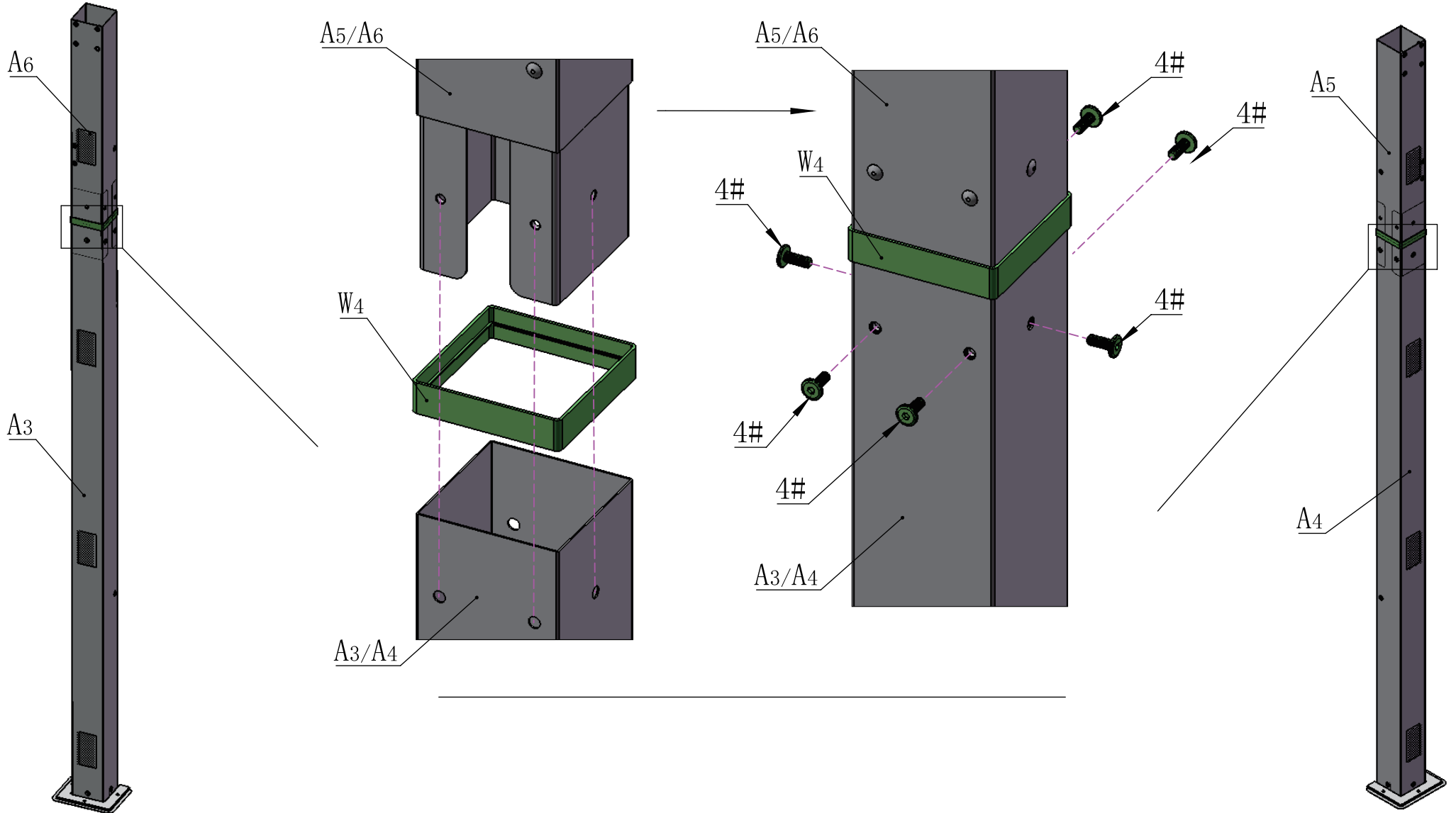
M6*16

4# 12X



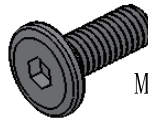
S4

16# 1X



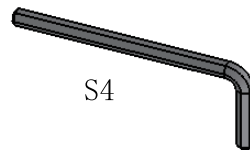


T2 4X



M6*16

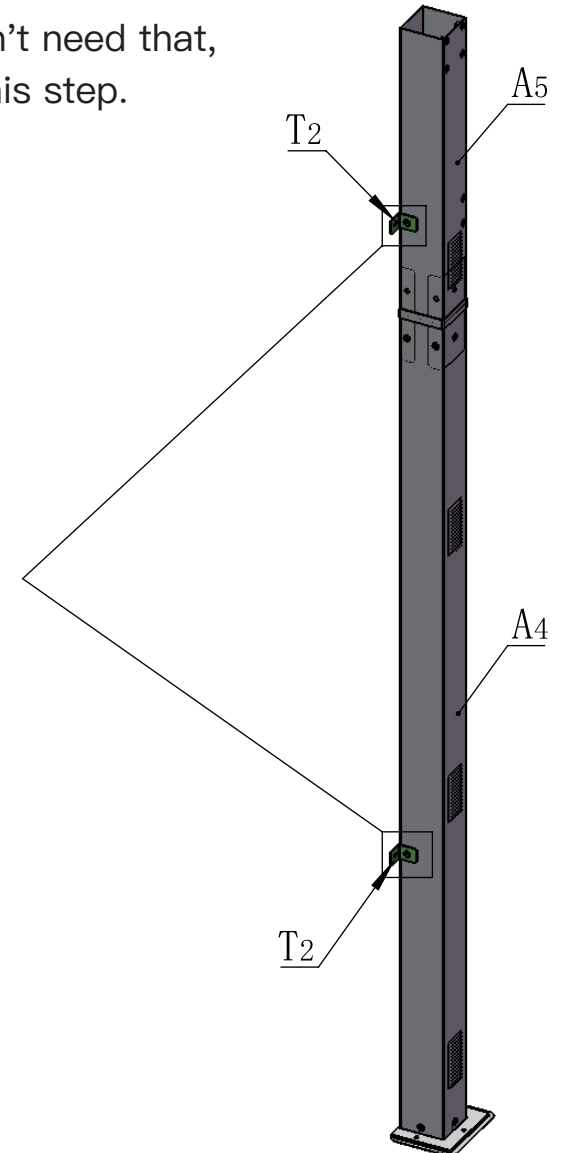
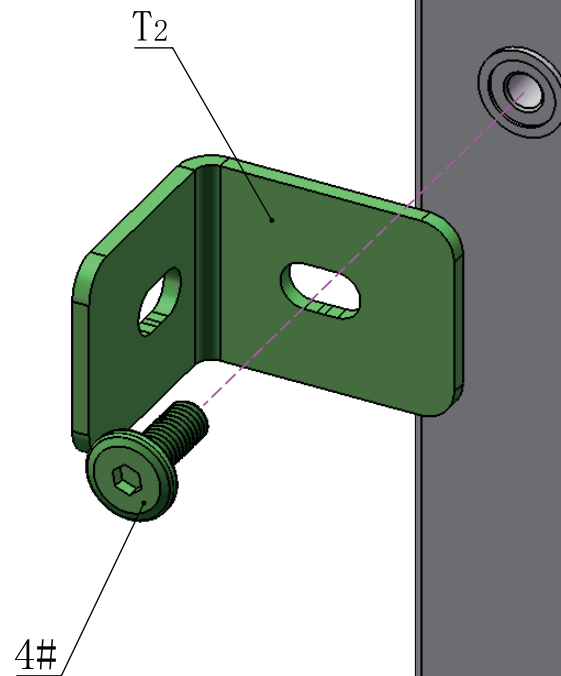
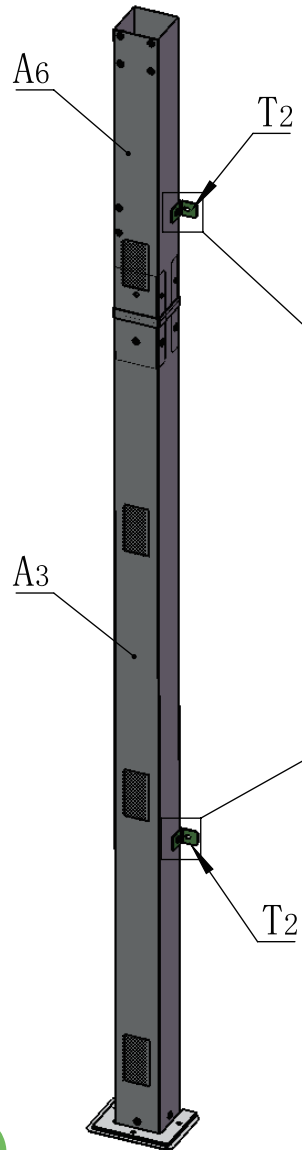
4# 4X



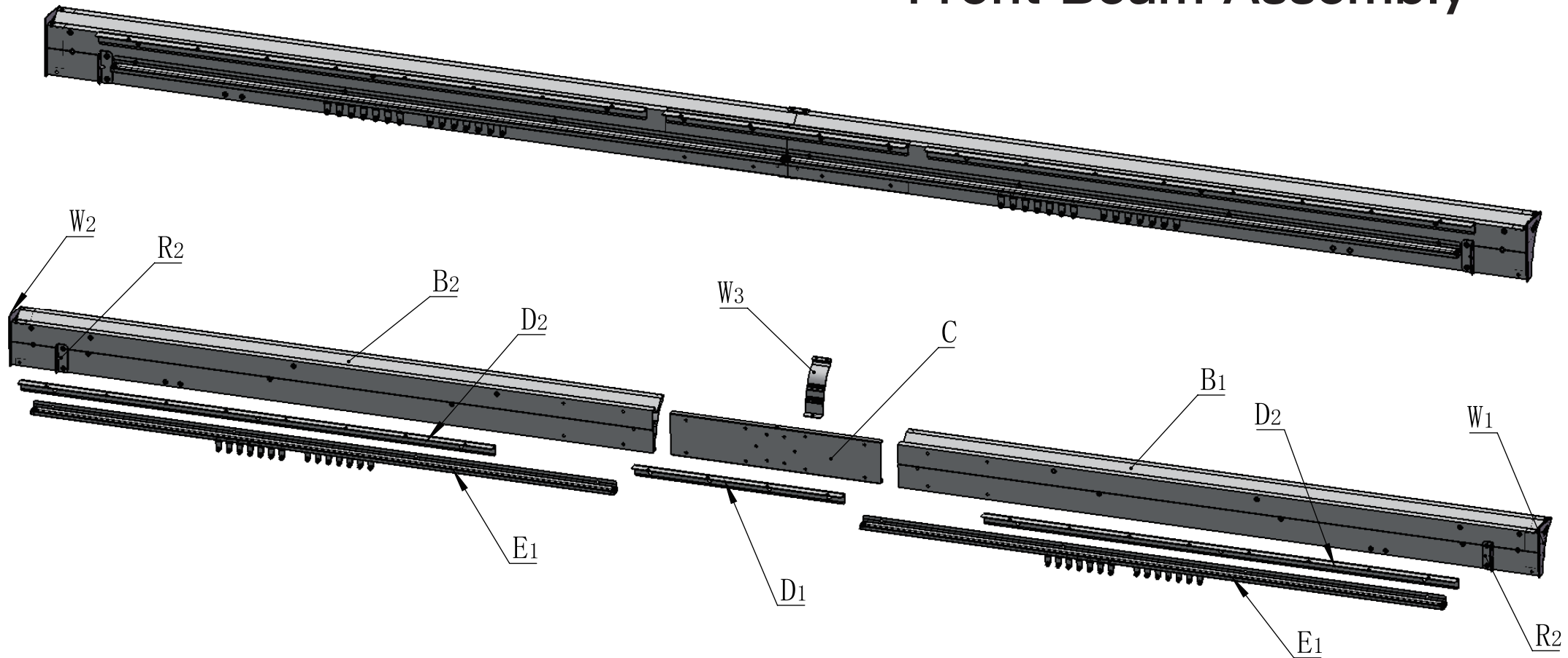
S4

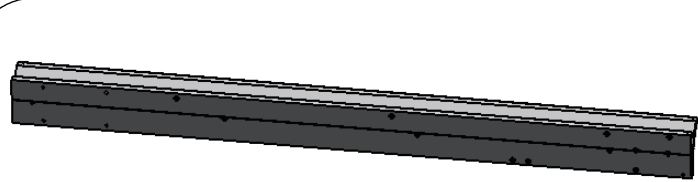
16# 1X

▲ The bracket #2 is used to fix the post against the wall. If you don't need that, please retain for future use. If you don't need this, please skip this step.

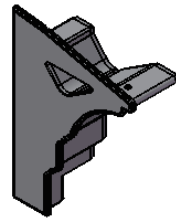


Front Beam Assembly



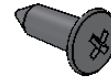


B1 1X

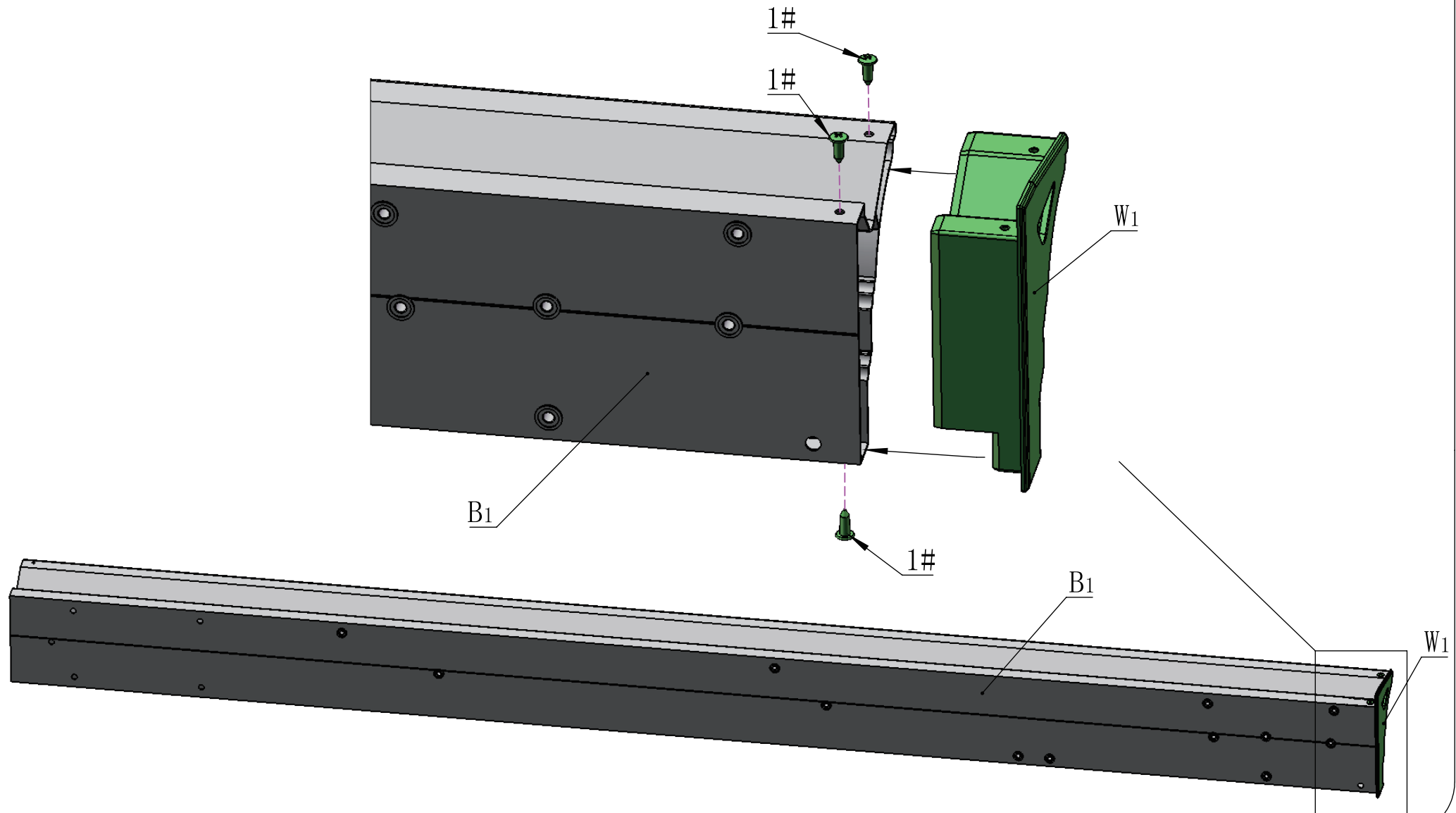


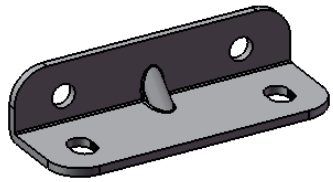
W1 1X

ST4. 8*13

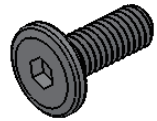


1# 3X



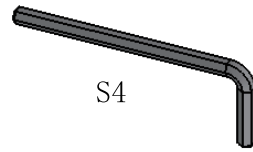


R2 1X



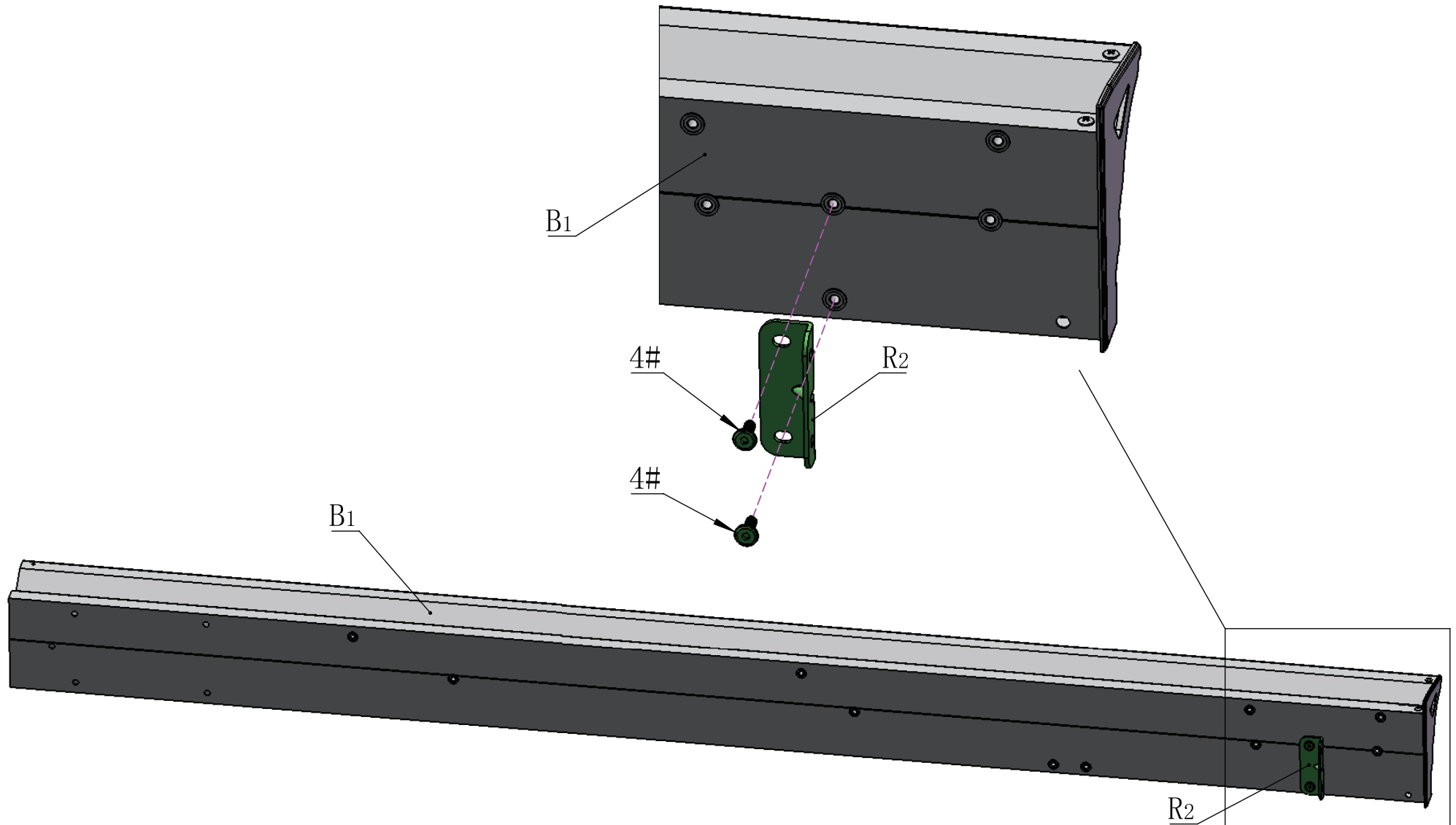
M6*16

4# 2X



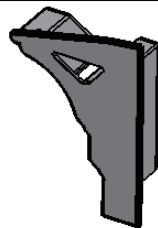
S4

16# 1X



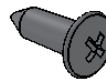


B2 1X

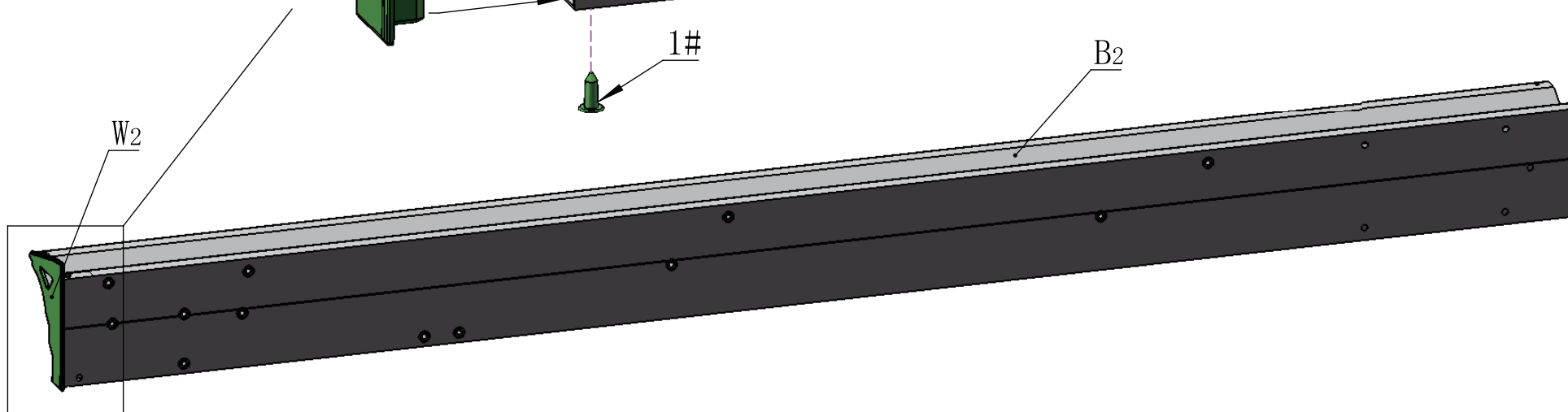
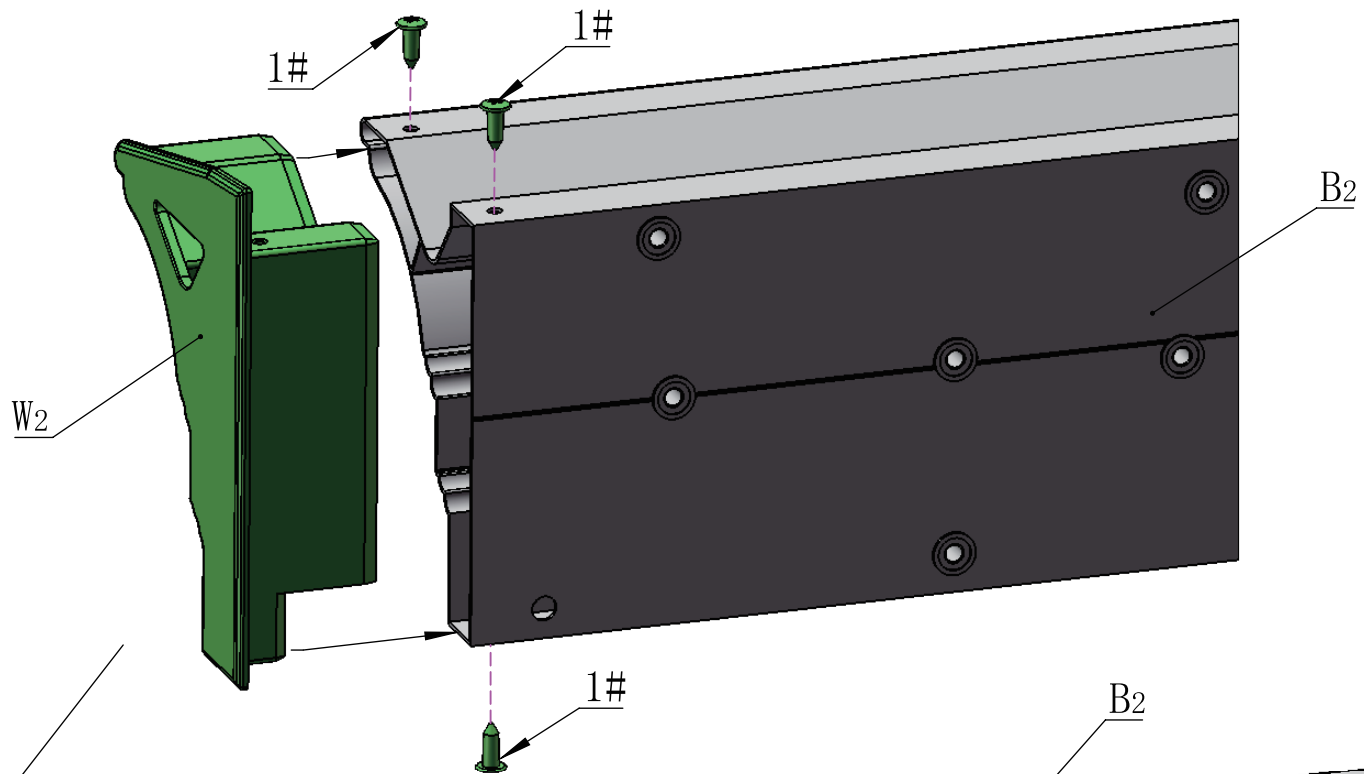


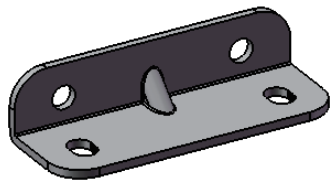
W2 1X

ST4.8*13

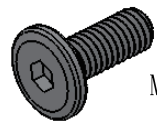


1# 3X



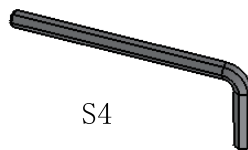


R2 1X



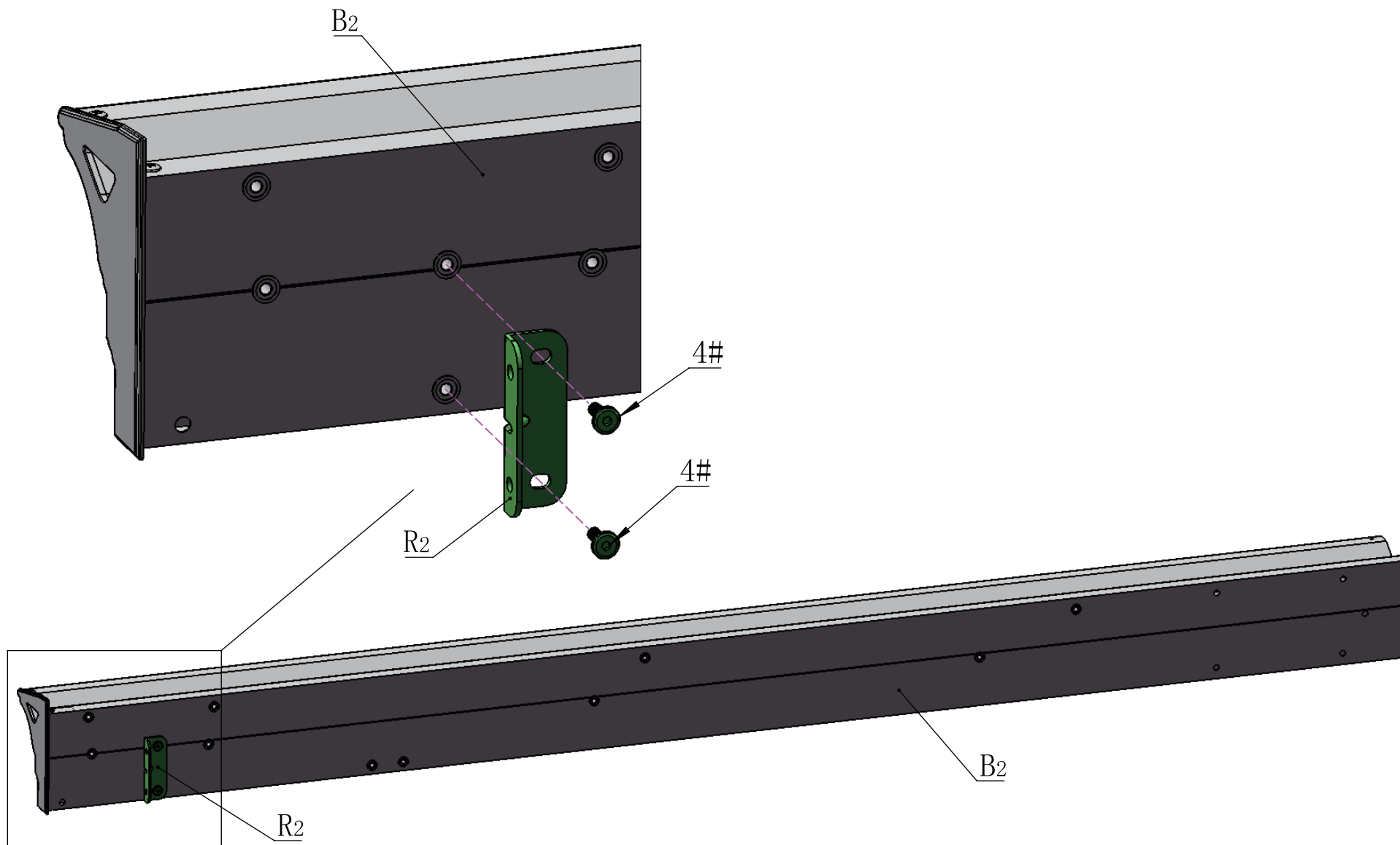
M6*16

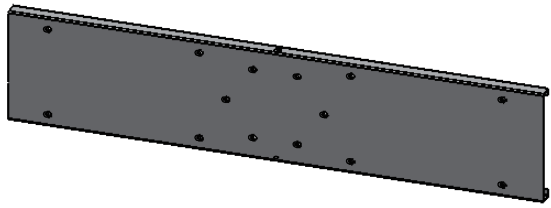
4# 2X



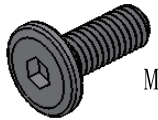
S4

16# 1X



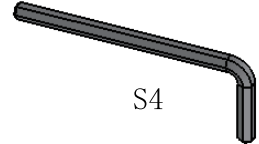


C 1X



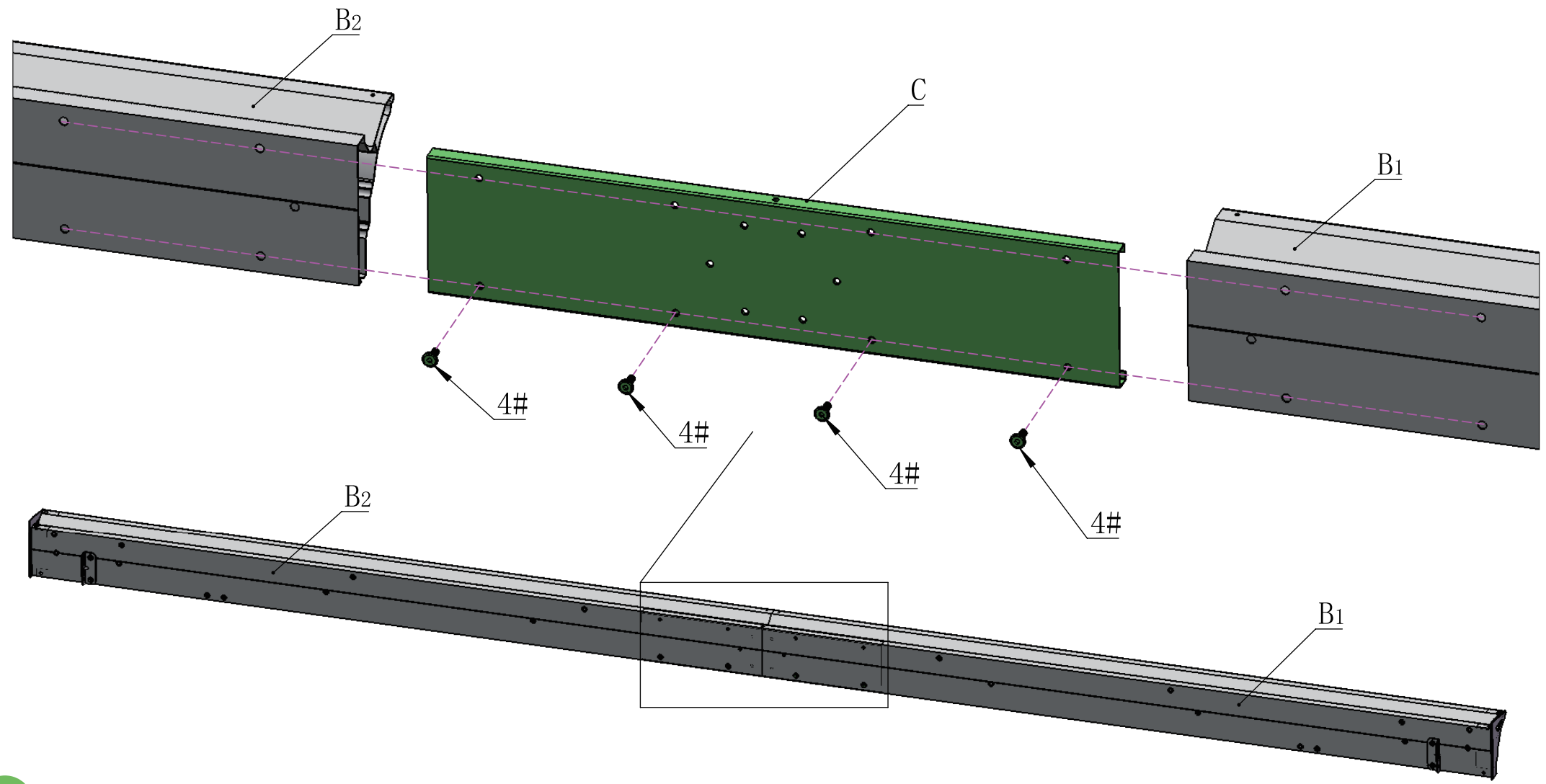
4# 4X

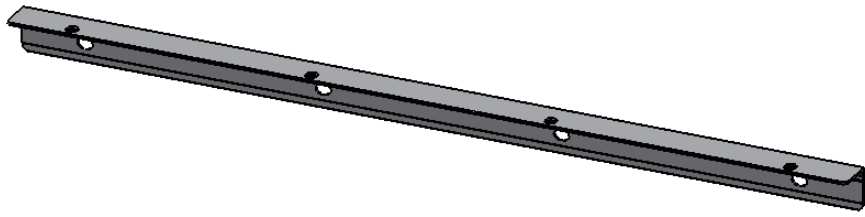
M6*16



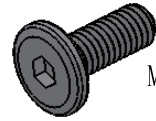
16# 1X

S4



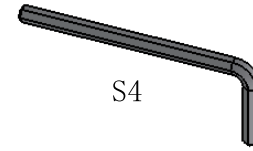


D1 1X



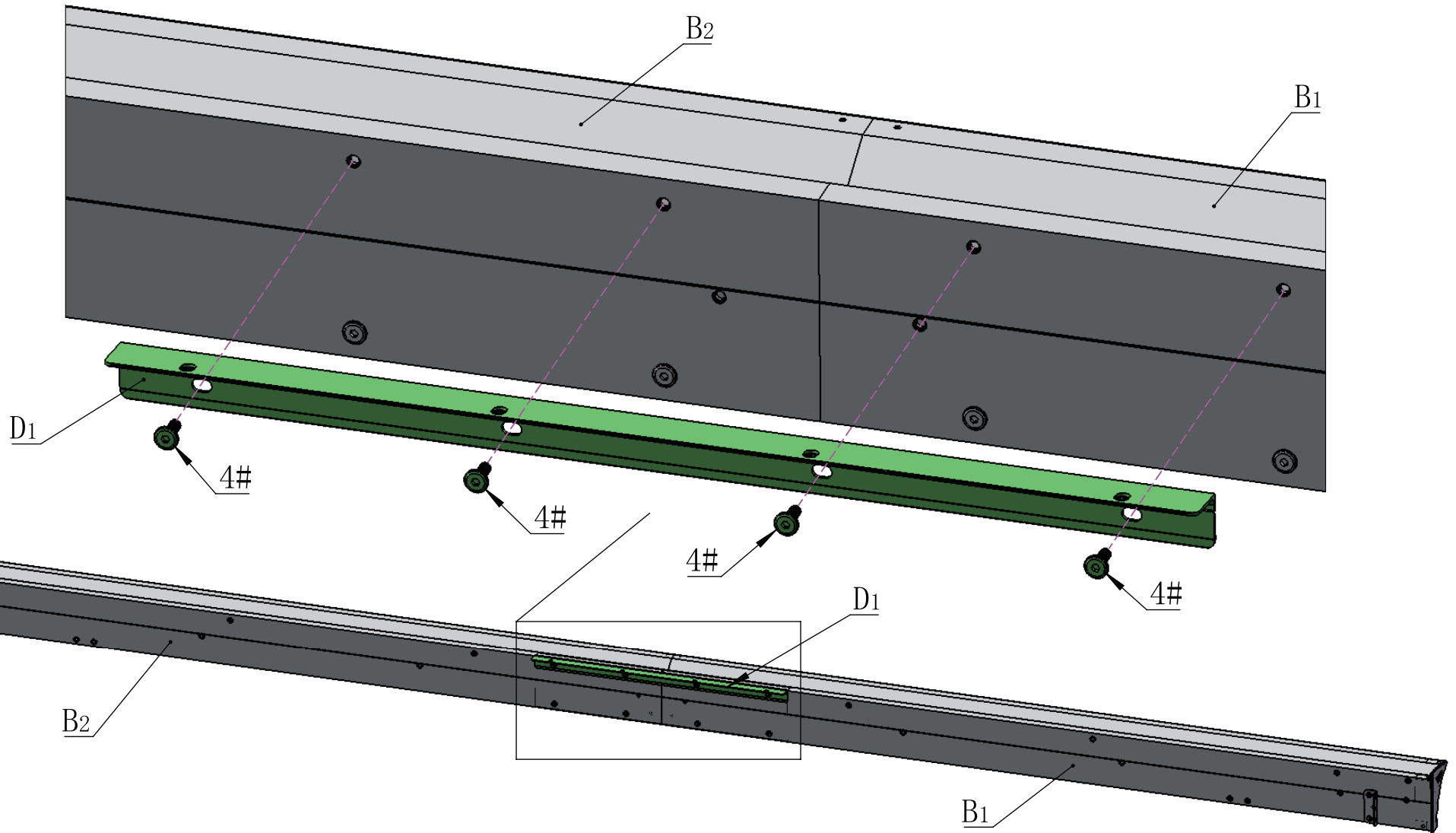
M6*16

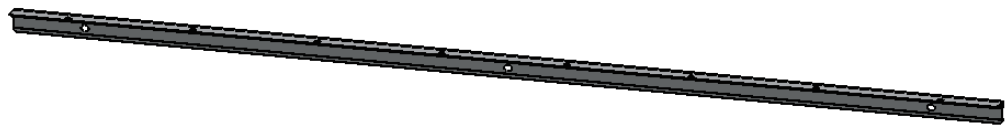
4# 4X



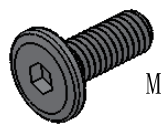
S4

16# 1X



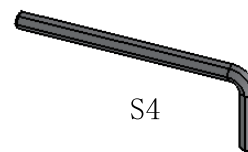


D2 2X



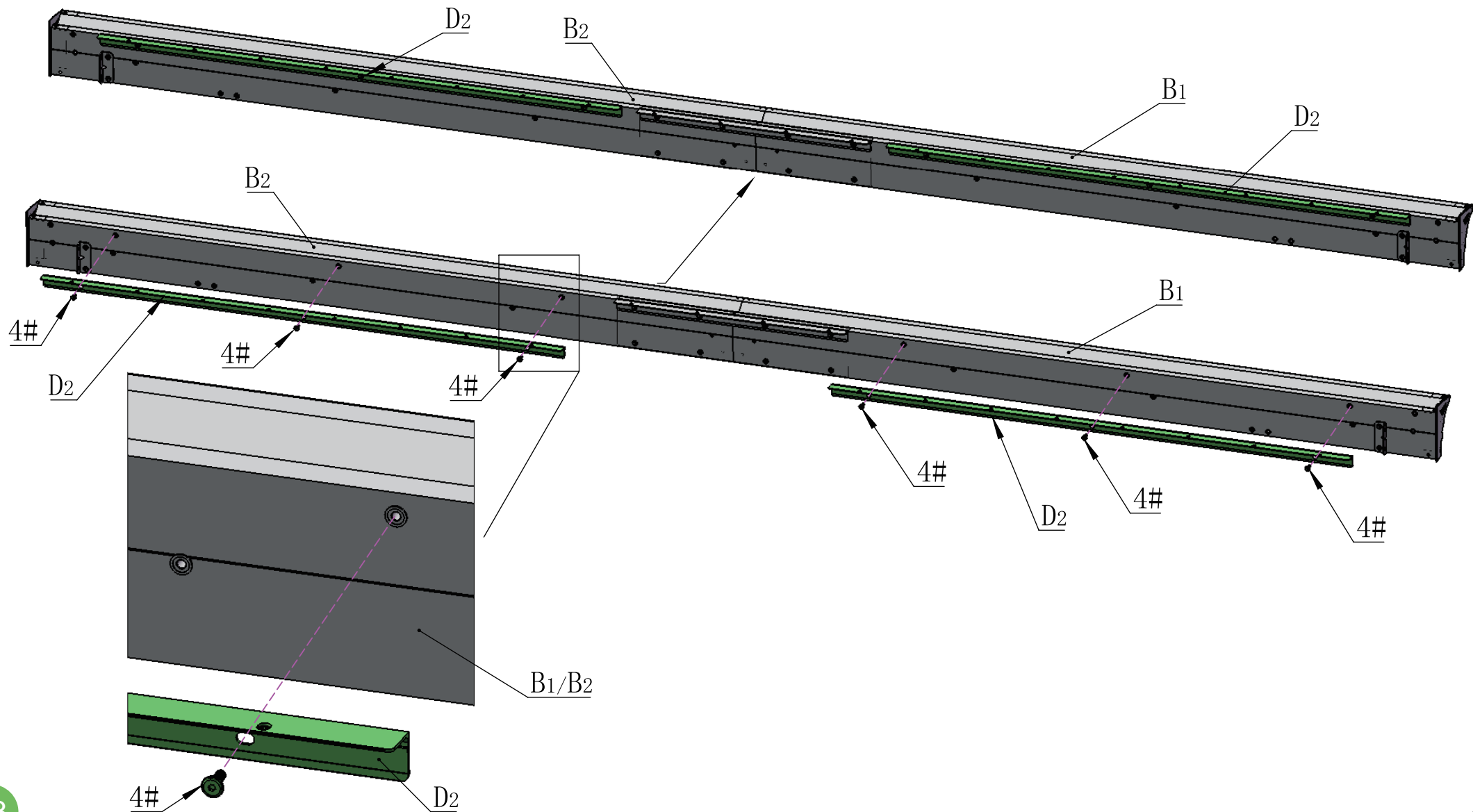
M6*16

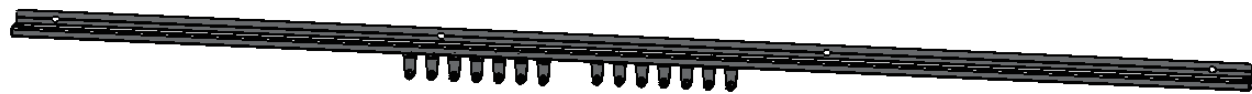
4# 6X



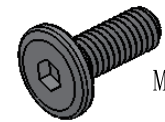
S4

16# 1X



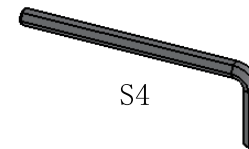


E1 2X



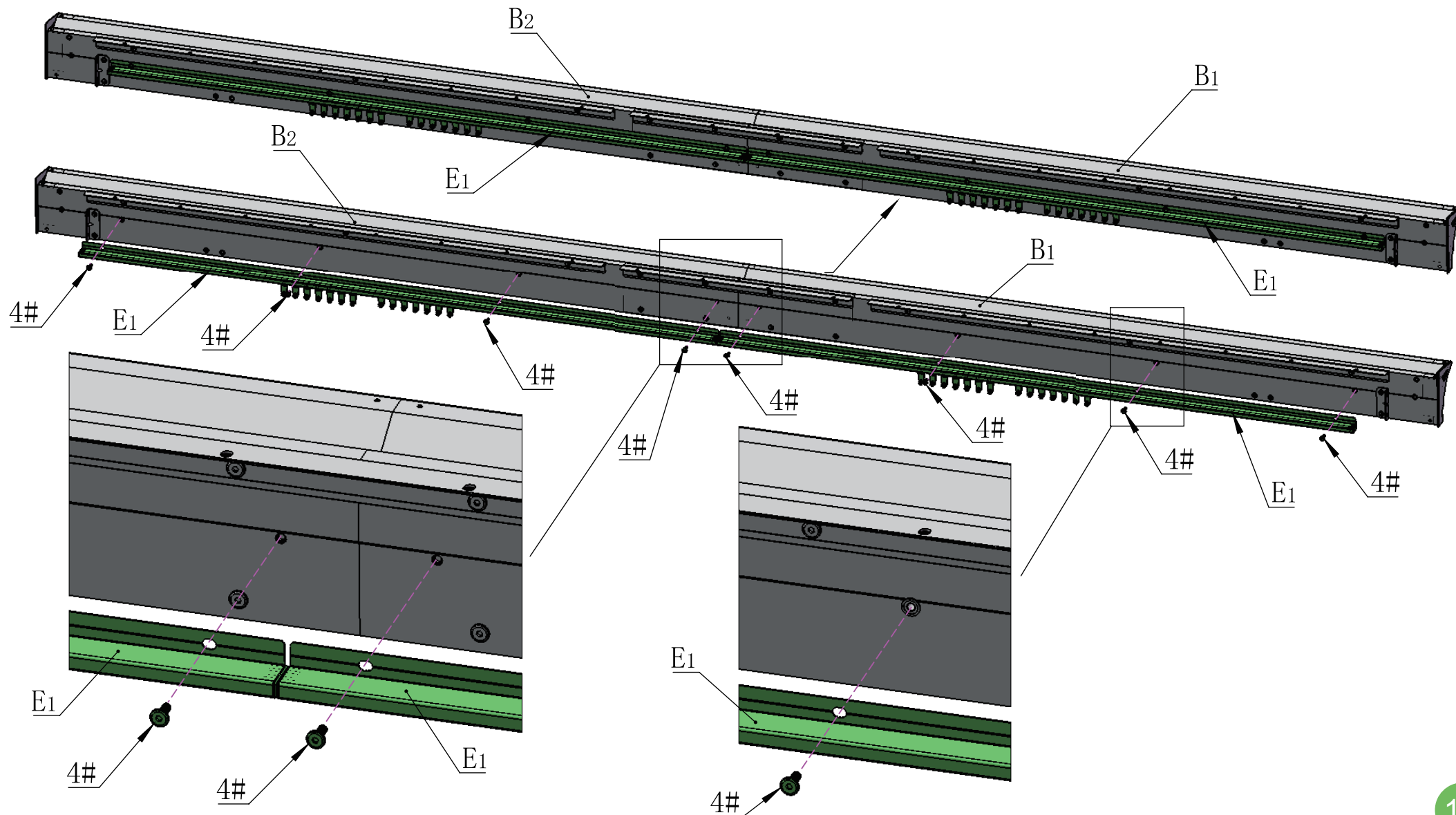
M6*16

4# 8X



S4

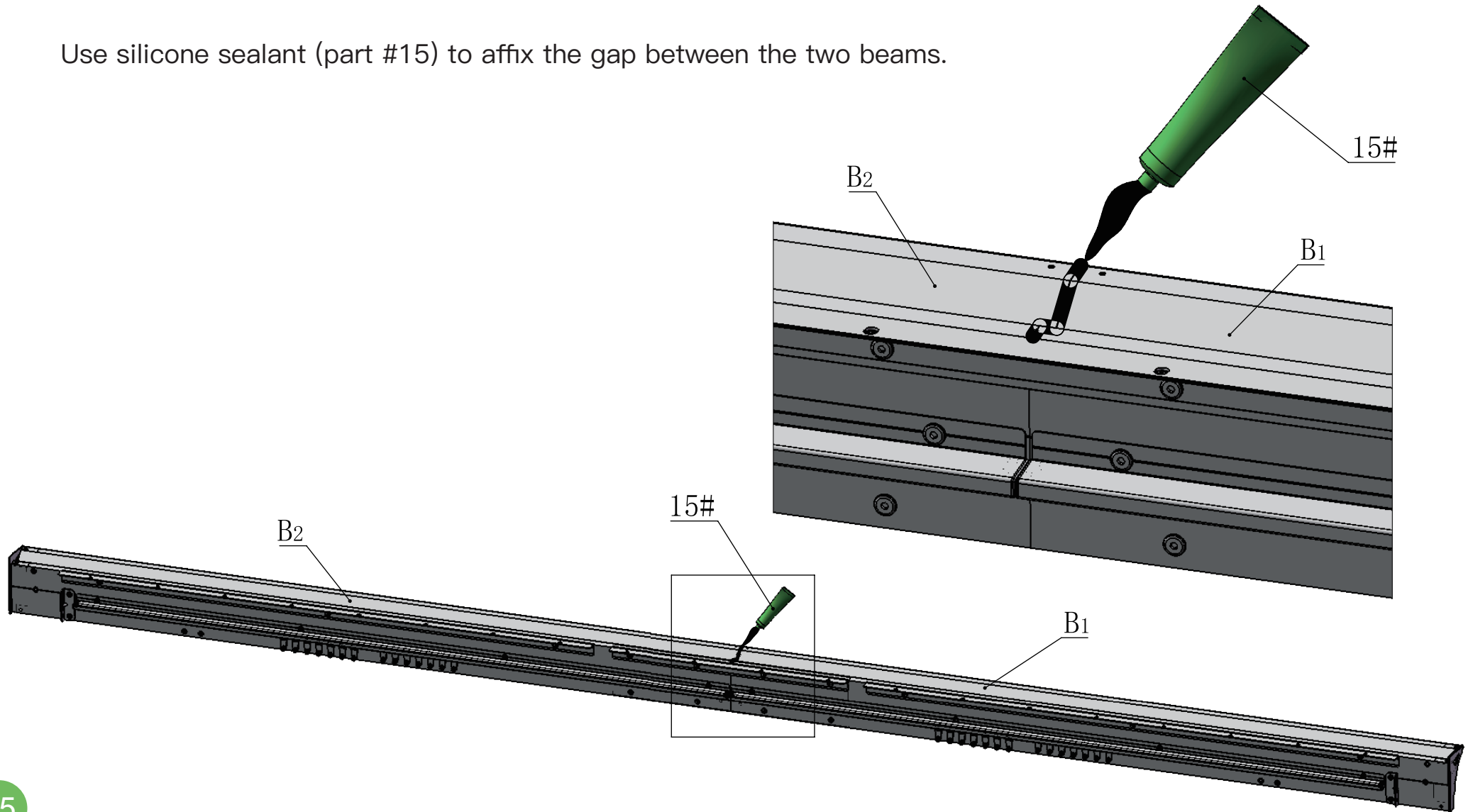
16# 1X

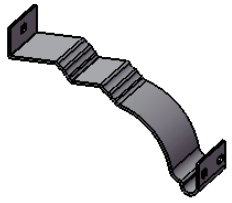




15# 1X

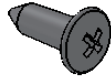
Use silicone sealant (part #15) to affix the gap between the two beams.





W3 1X

ST4. 8*13

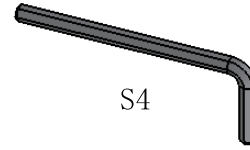


1# 2X



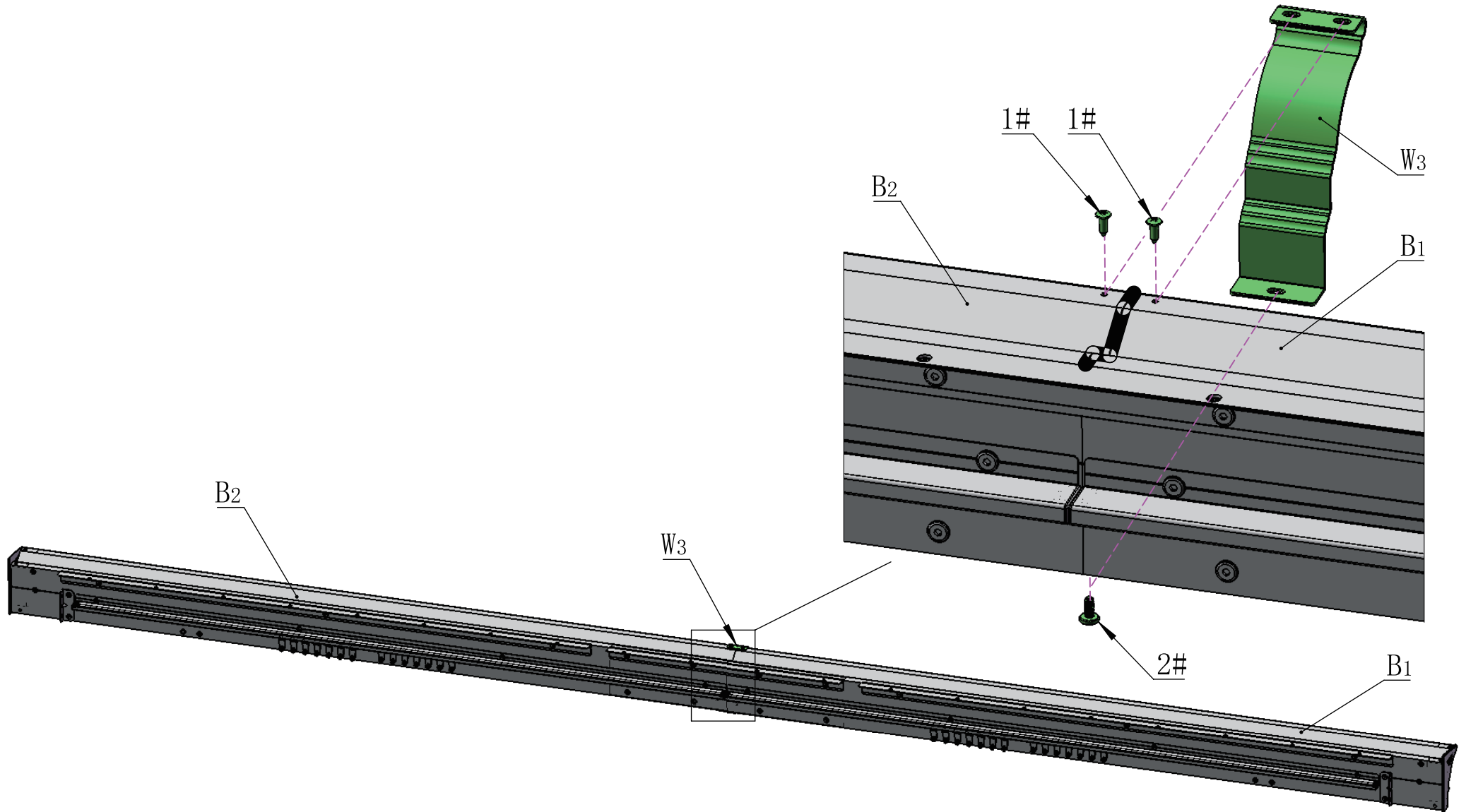
M5*12

2# 1X

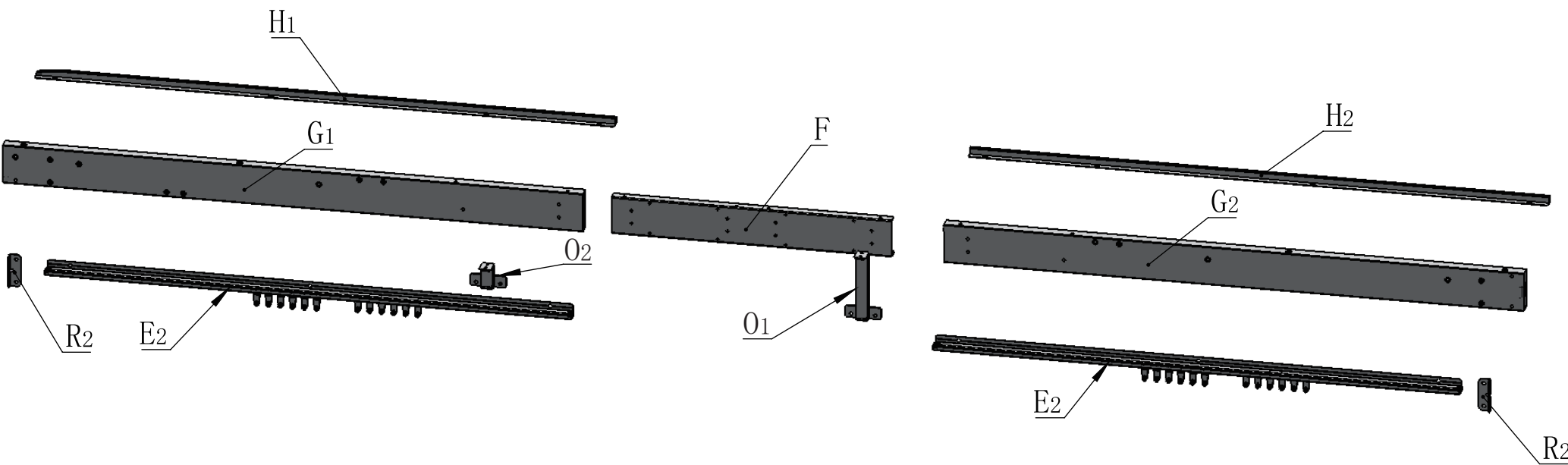
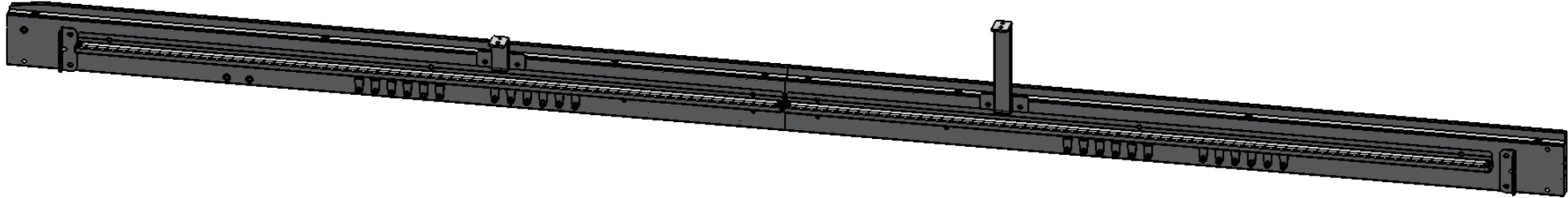


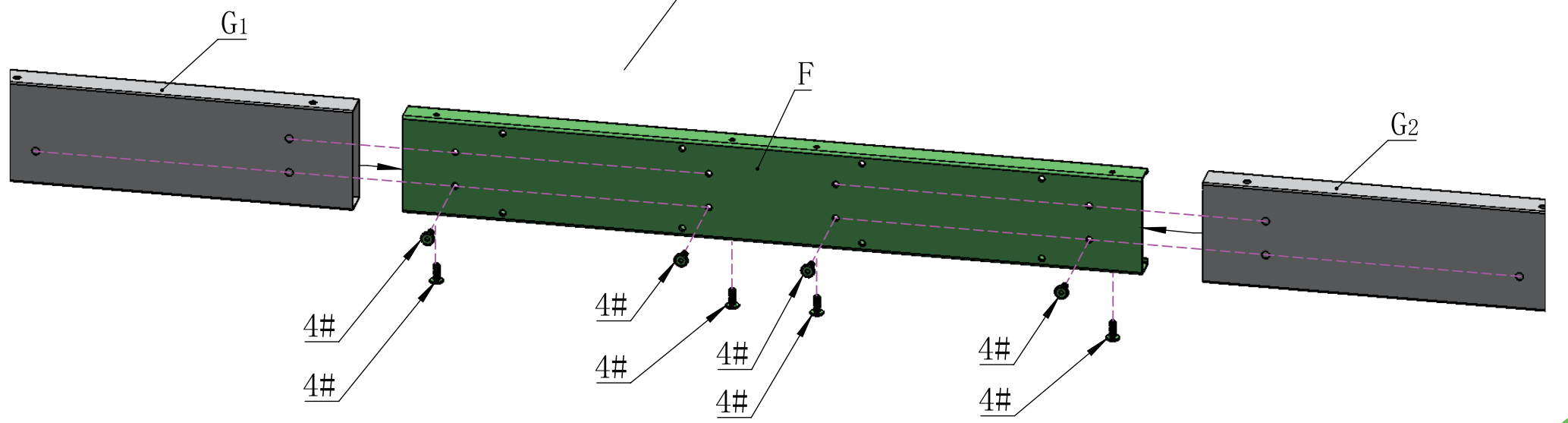
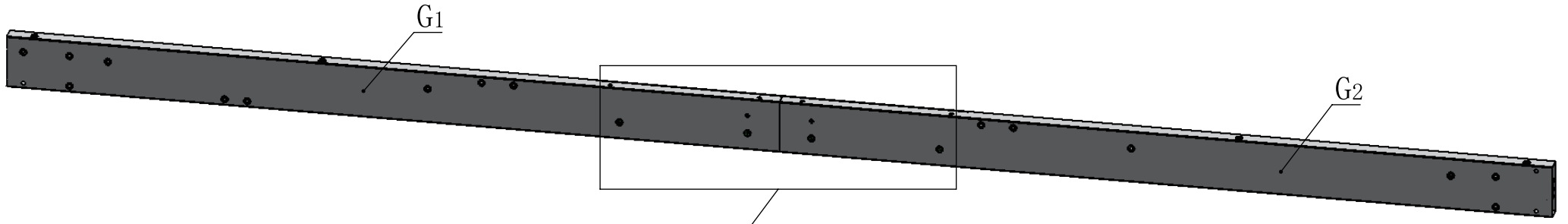
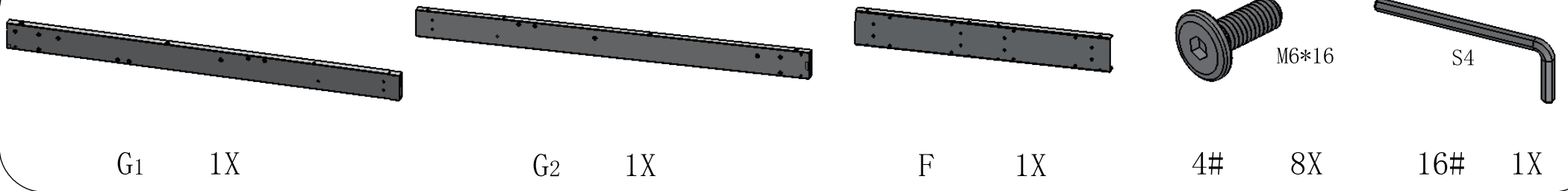
S4

16# 1X



Side Beam Assembly



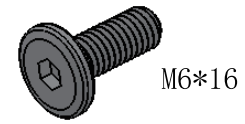




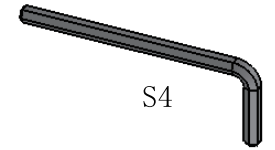
H1 1X



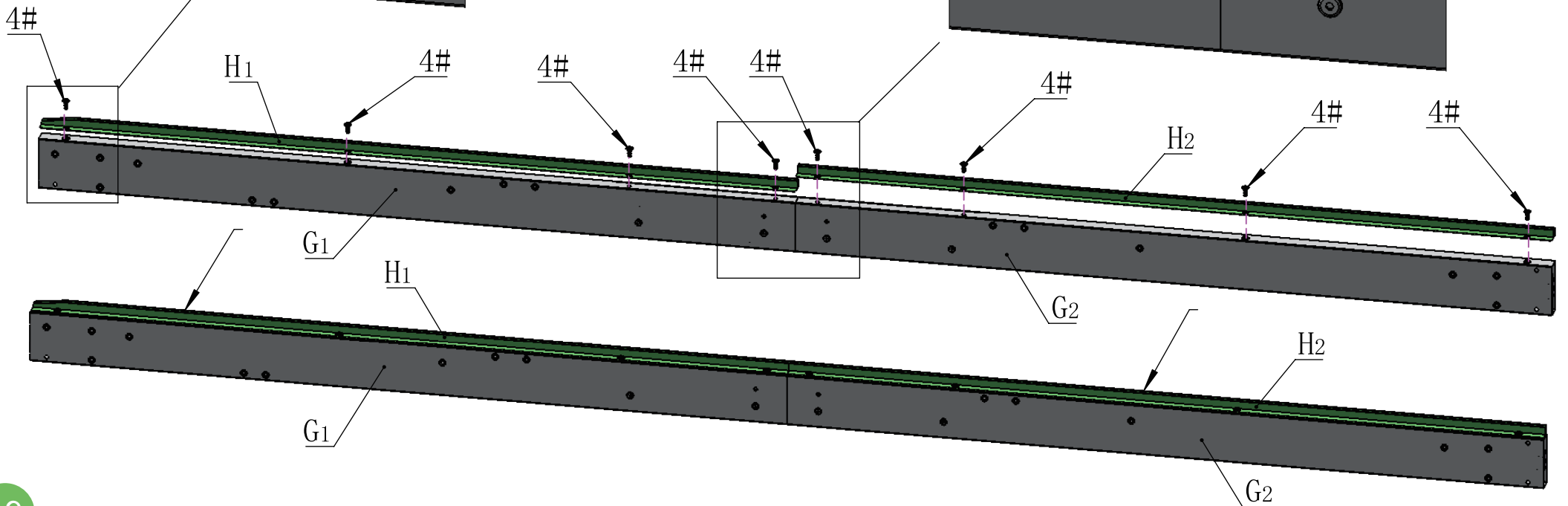
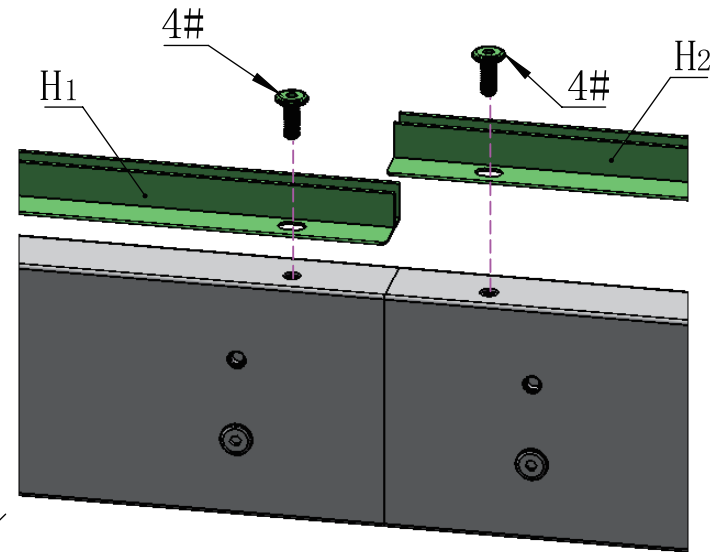
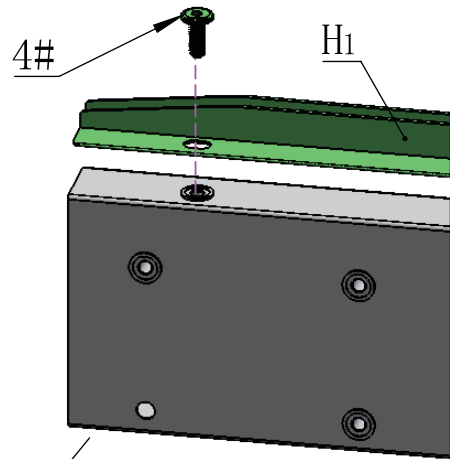
H2 1X

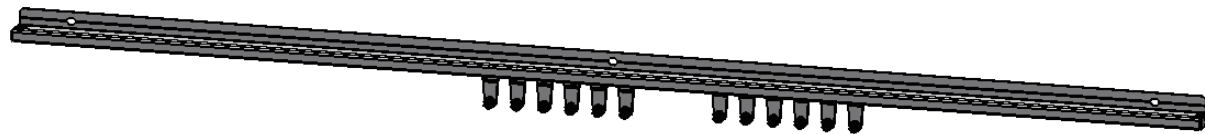


4# 8X

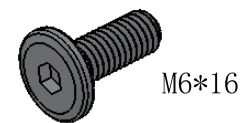


16# 1X



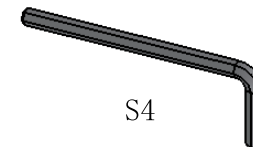


E2 2X



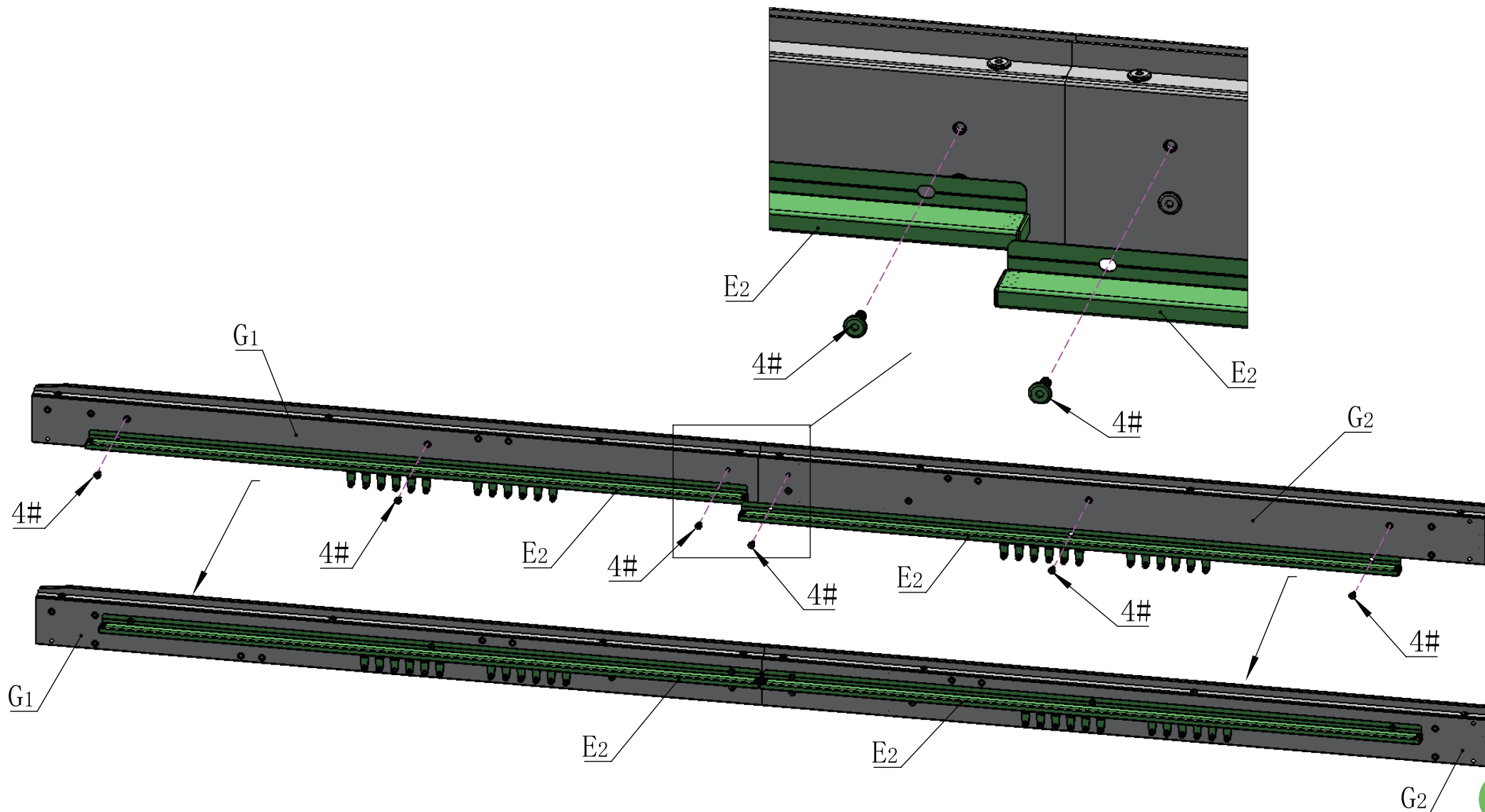
M6*16

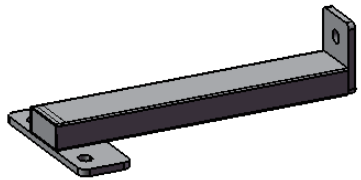
4# 6X



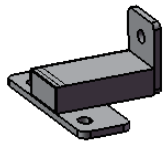
S4

16# 1X

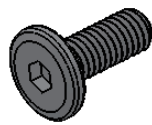




01 1X

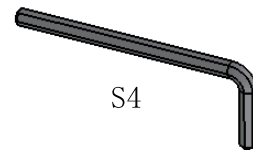


02 1X



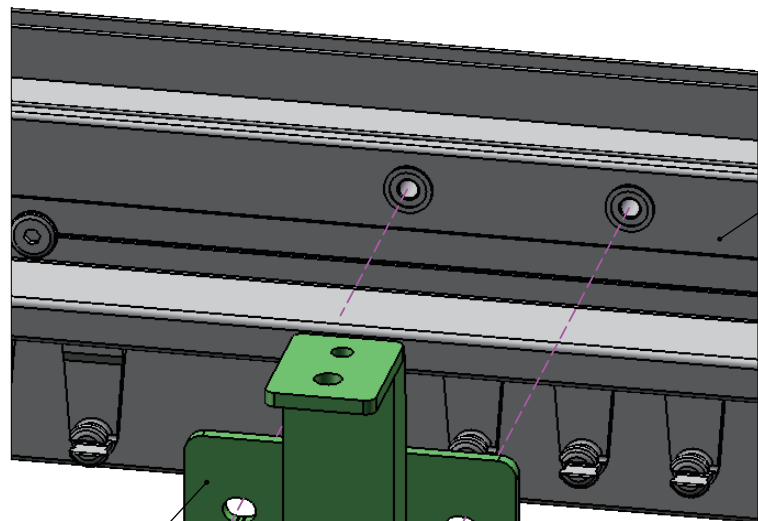
M6*16

4# 4X



S4

16# 1X

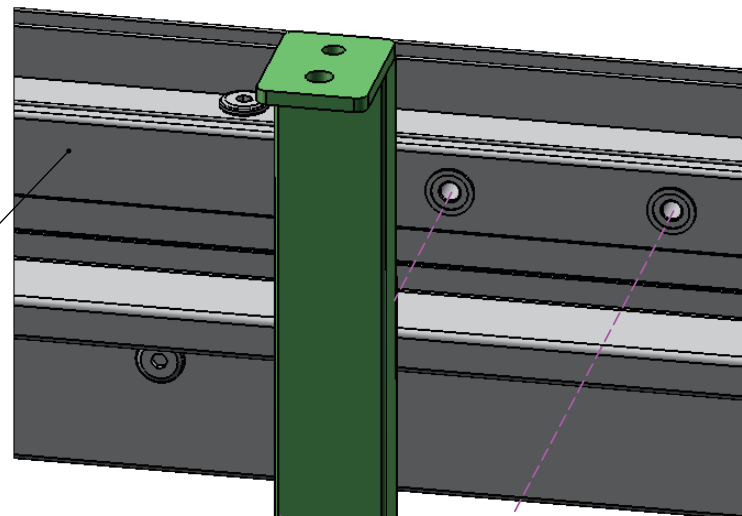


G1

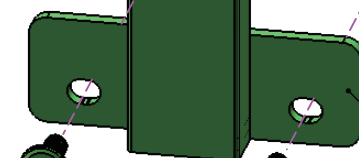
02

4#

4#



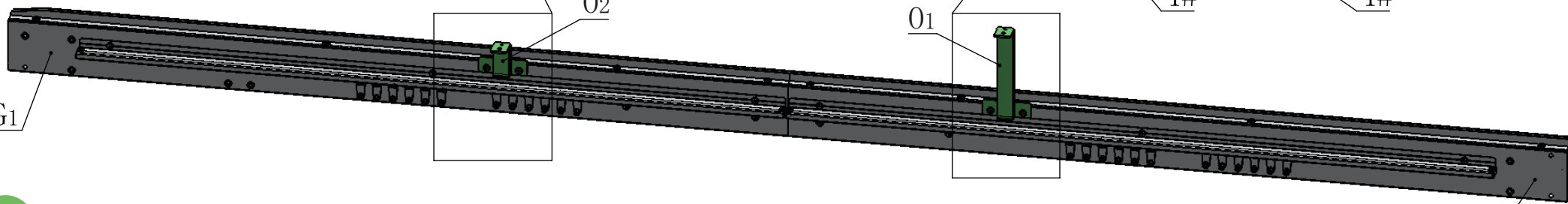
G2



01

4#

4#

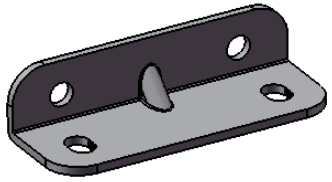


G1

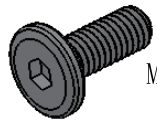
02

01

G2

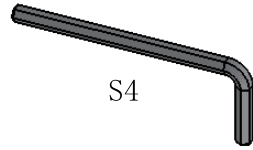


R2 2X



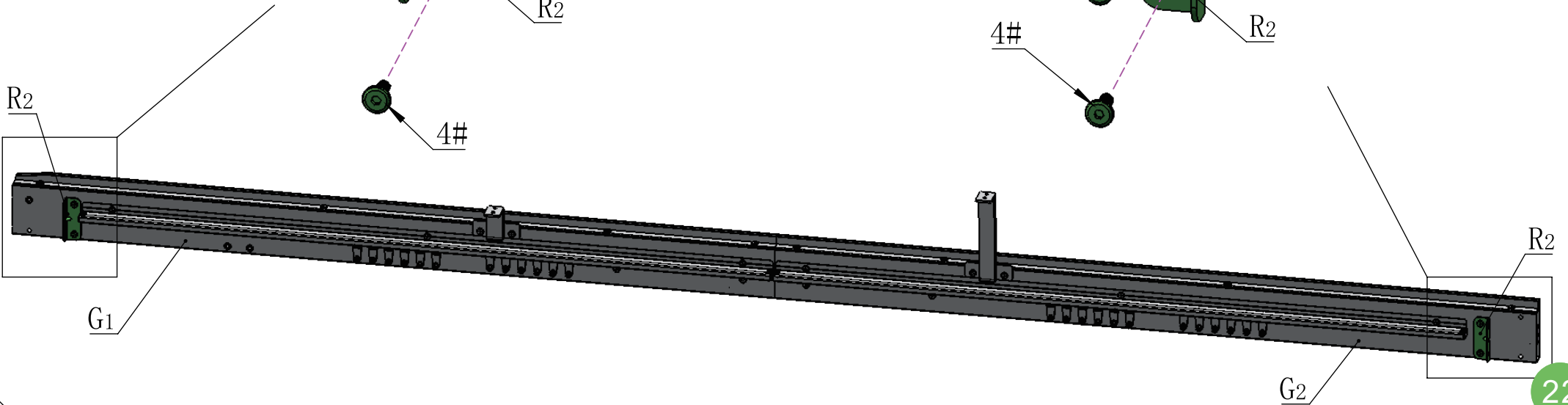
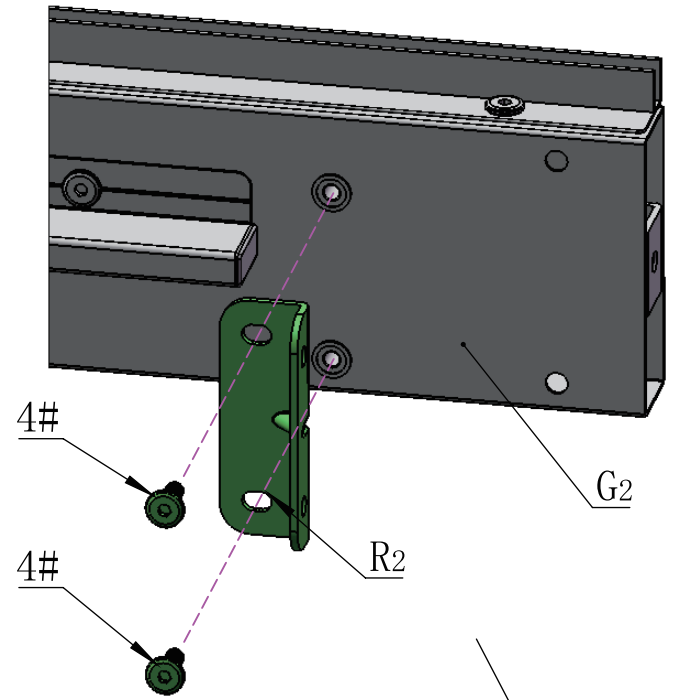
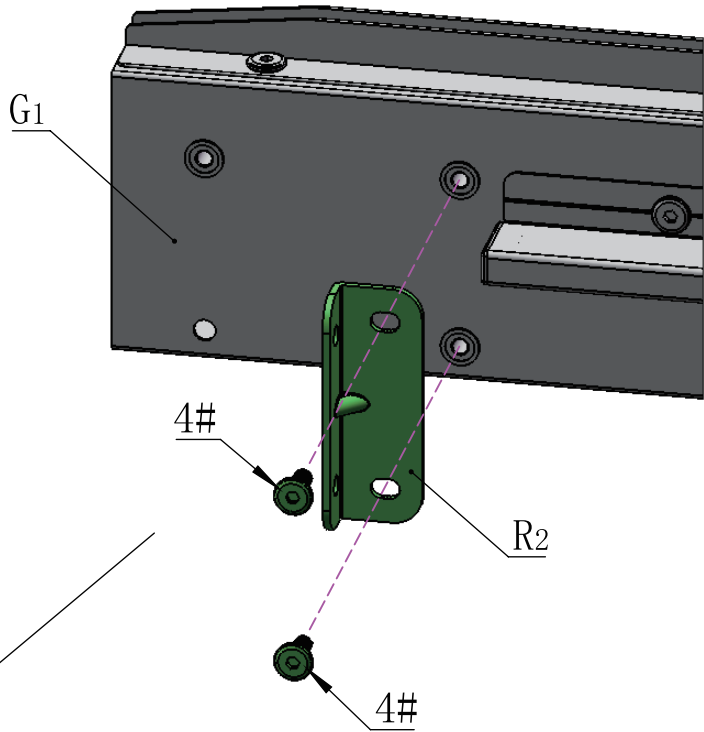
M6*16

4# 4X

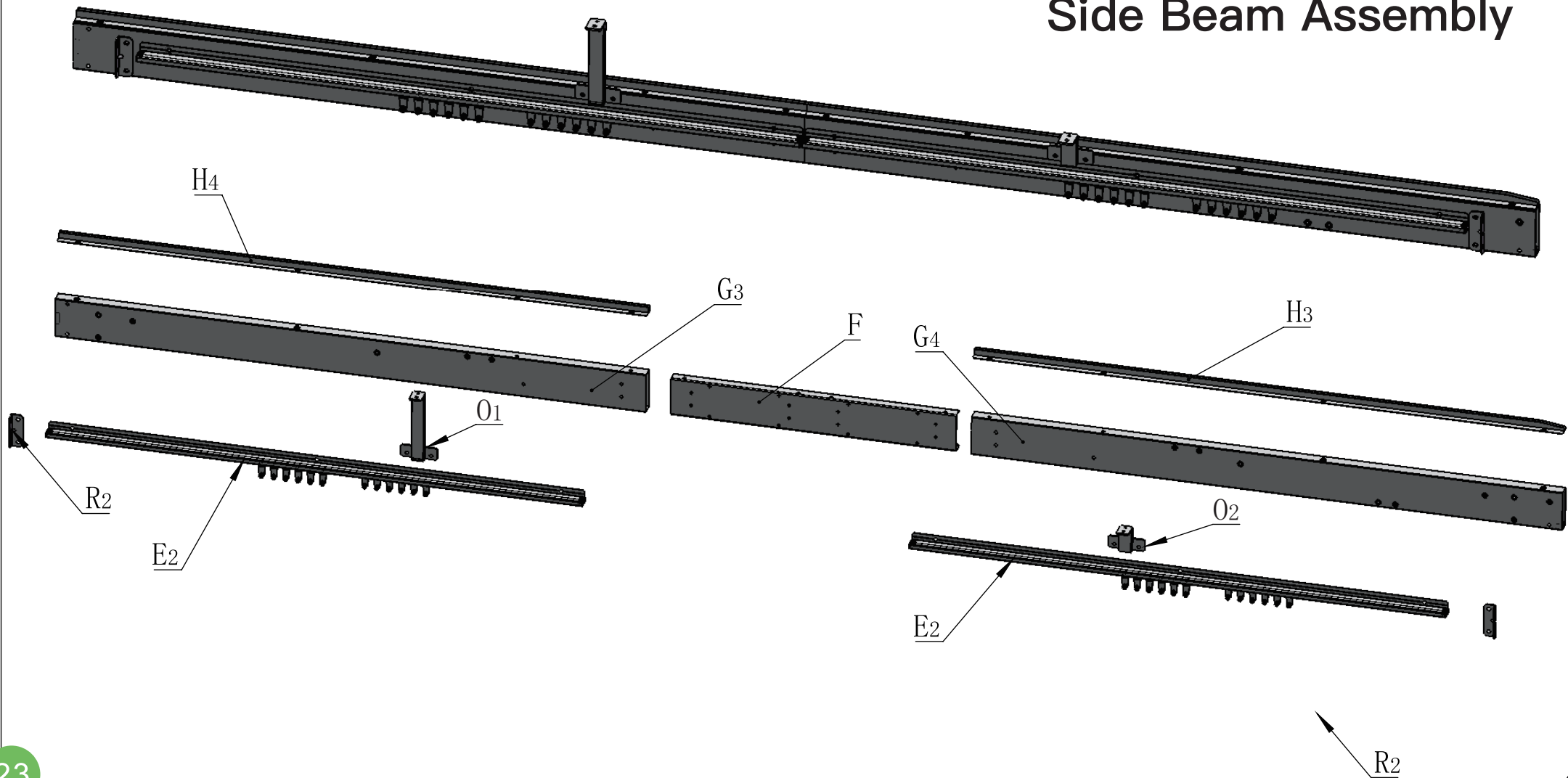


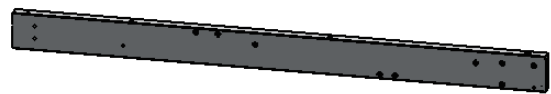
S4

16# 1X

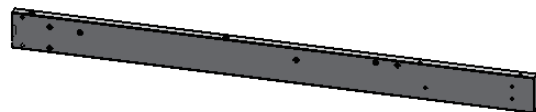


Side Beam Assembly

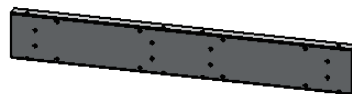




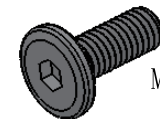
G3 1X



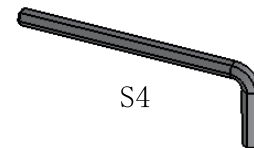
G4 1X



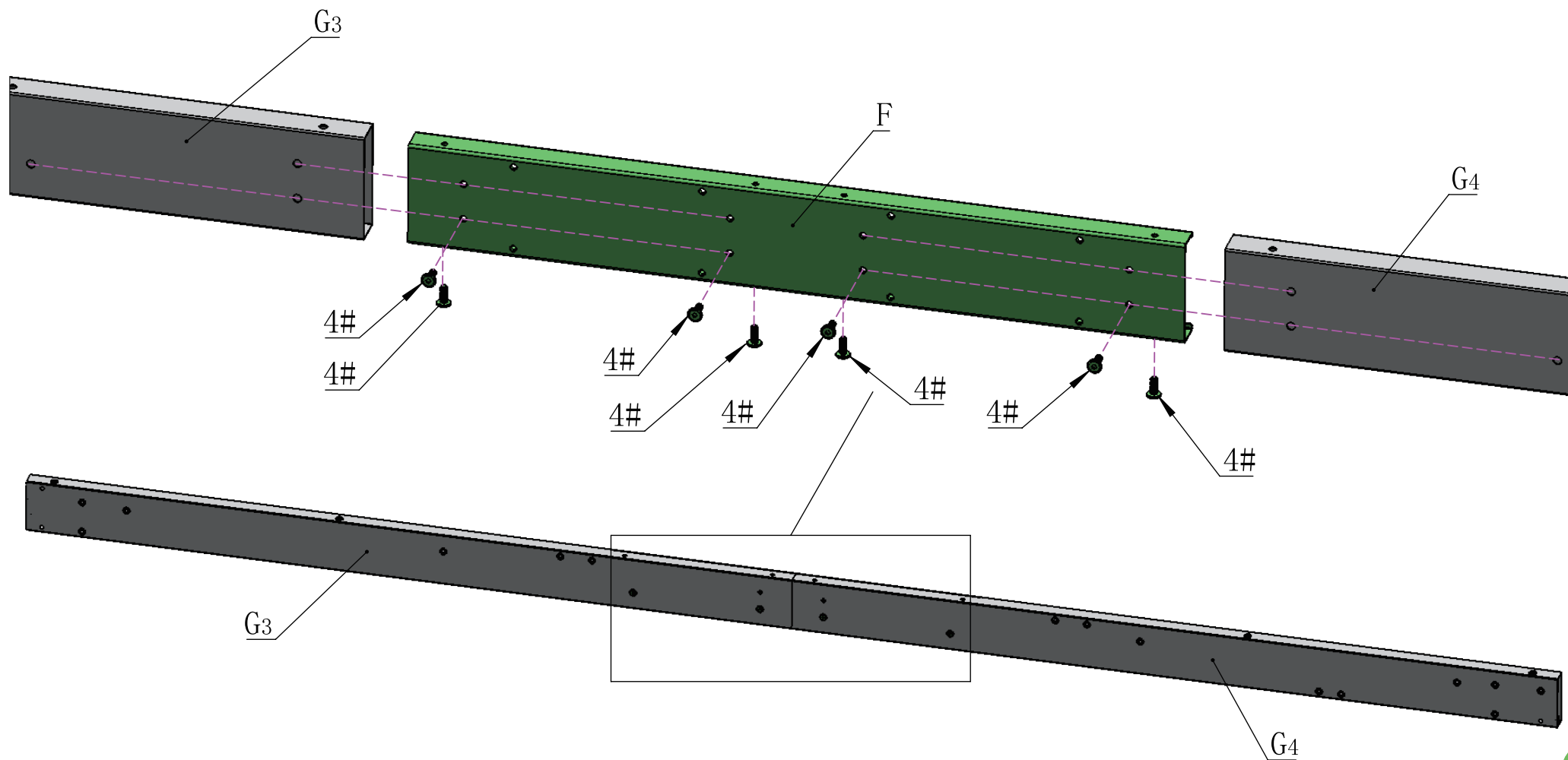
F 1X



4# 8X



16# 1X

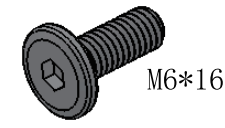




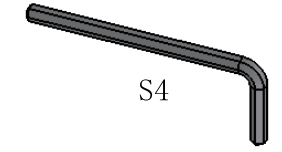
H3 1X



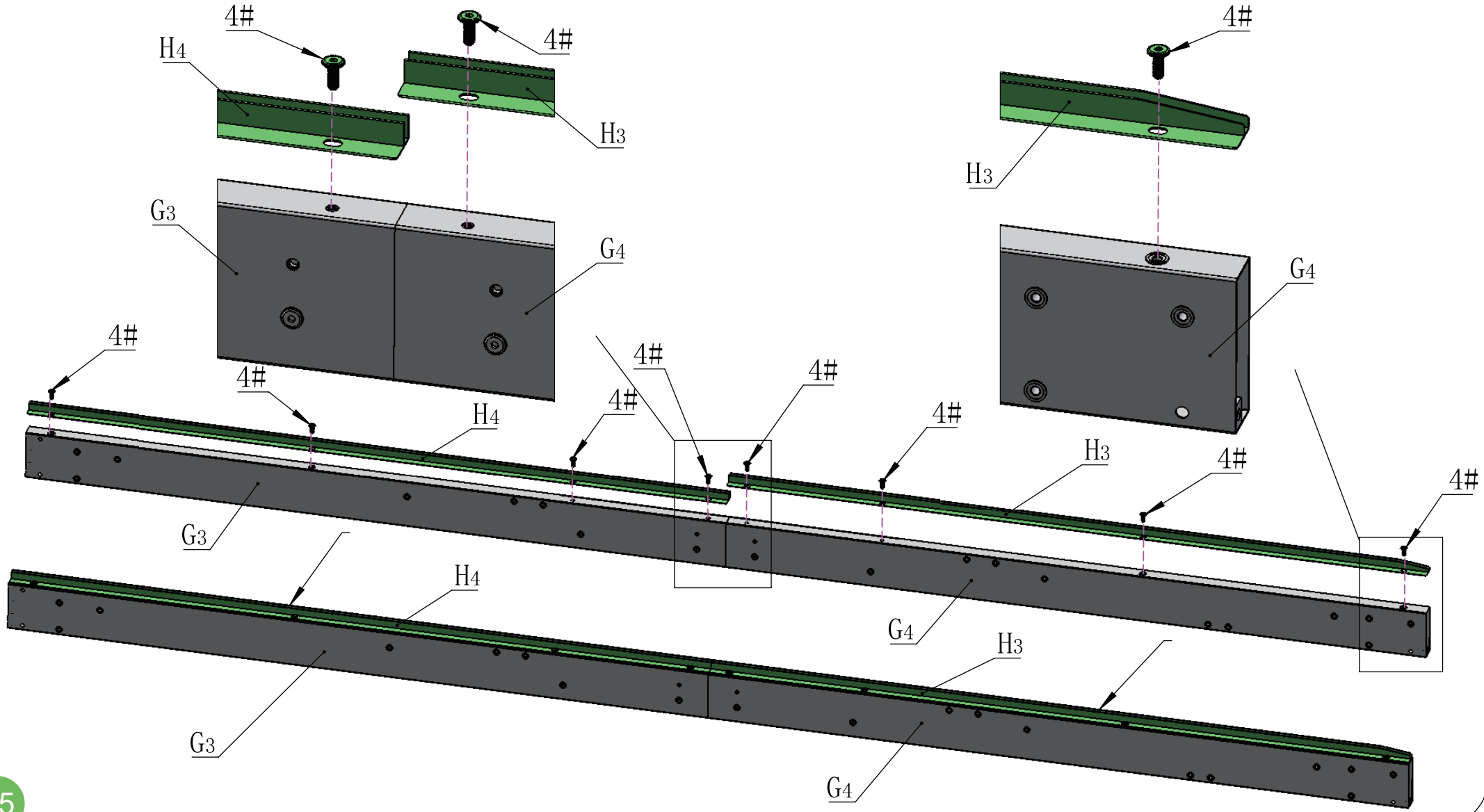
H4 1X

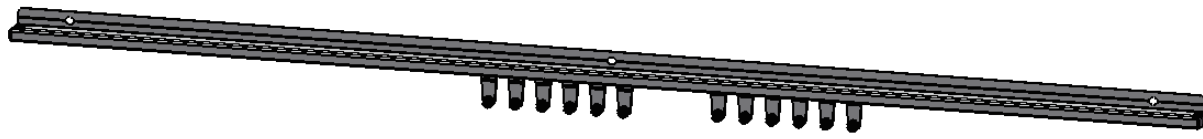


4# 8X

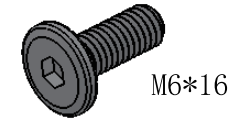


16# 1X

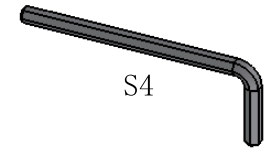




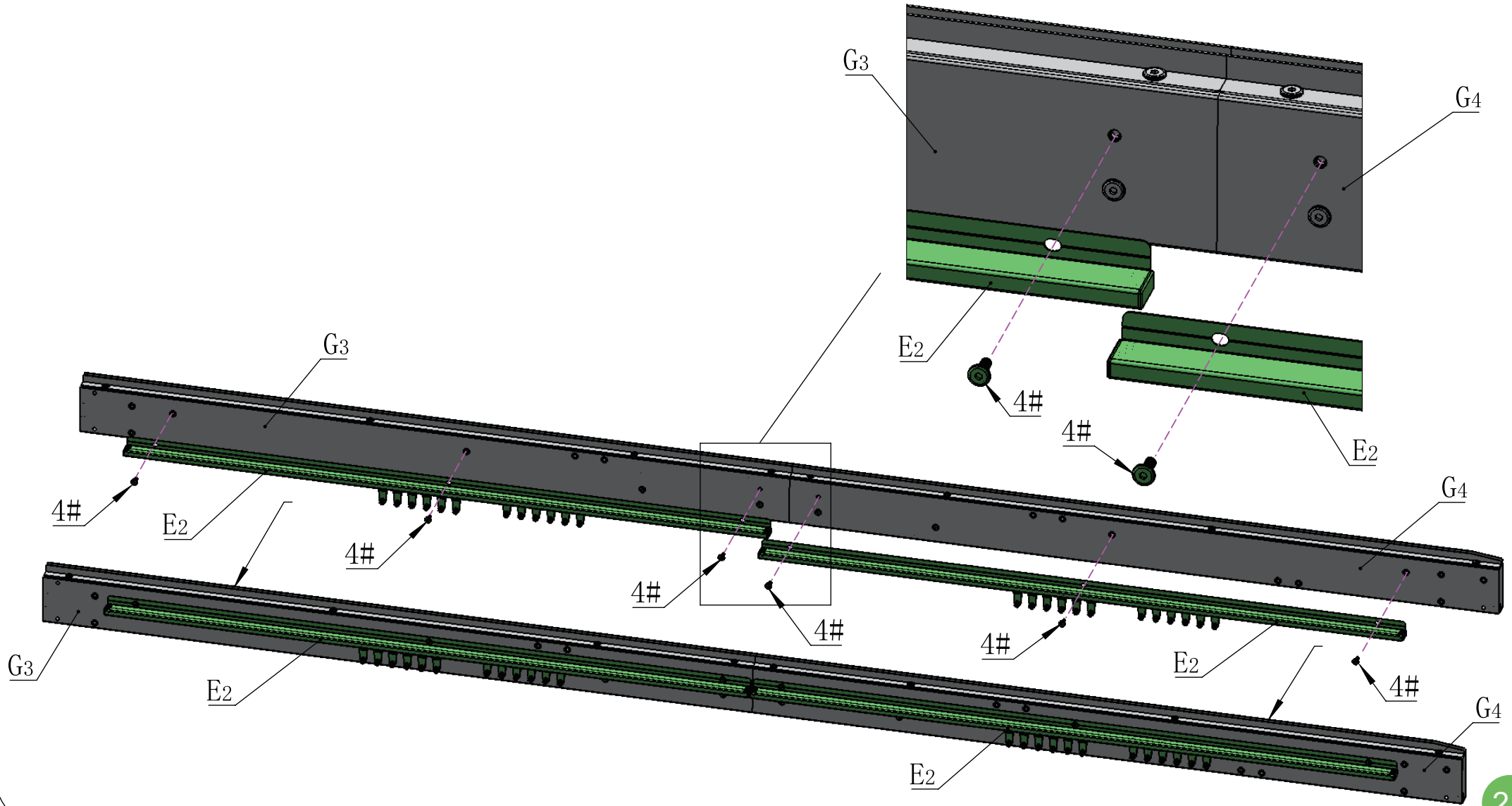
E2 2X

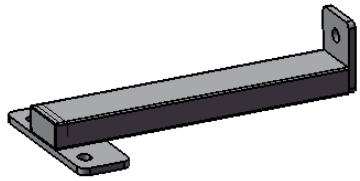


4# 6X

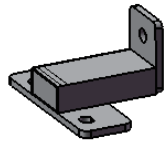


16# 1X

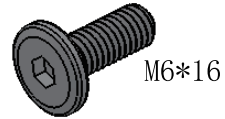




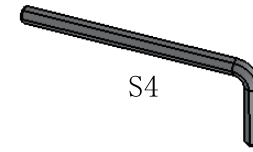
O1 1X



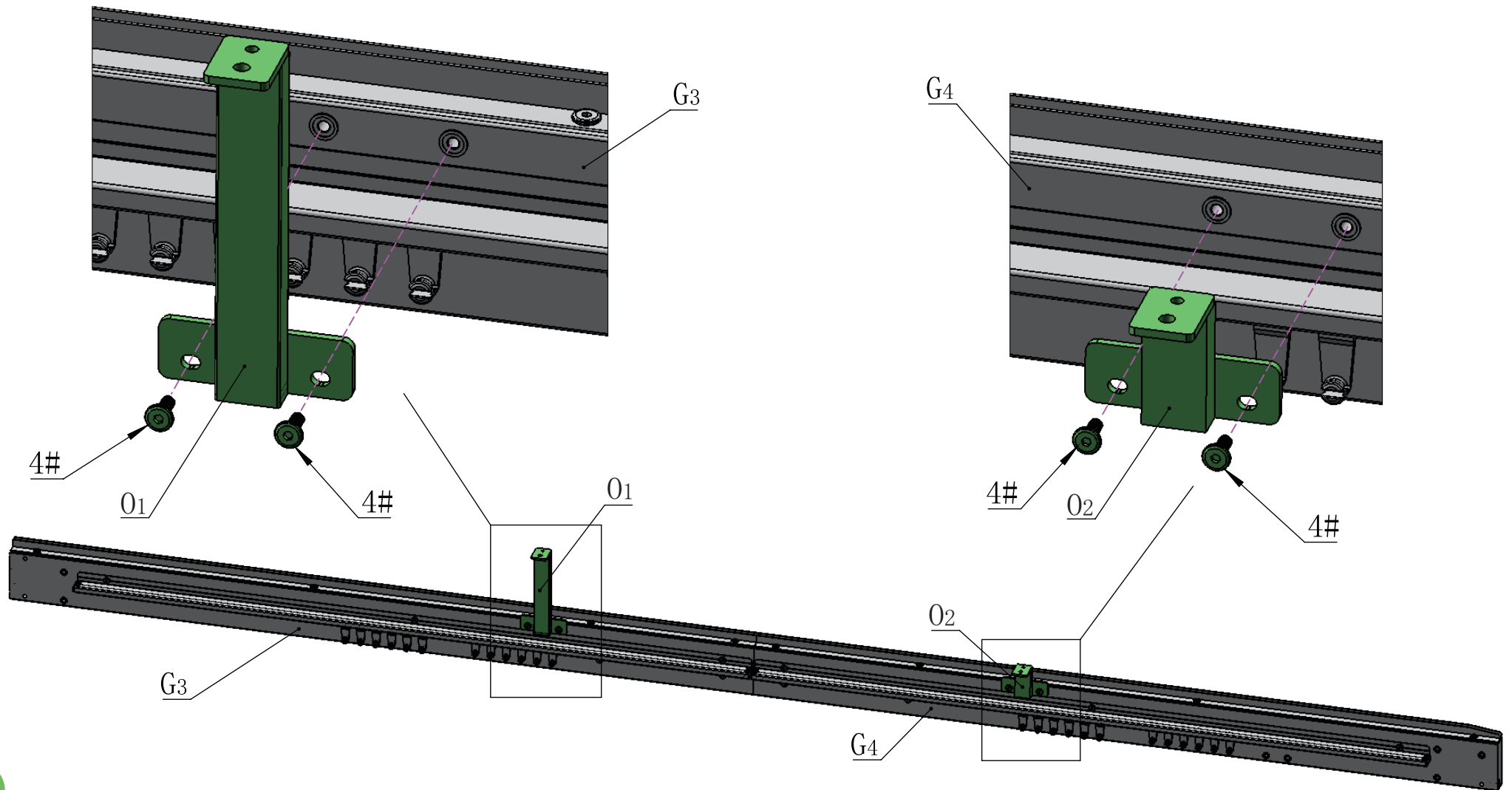
O2 1X

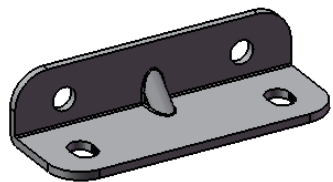


4# 4X

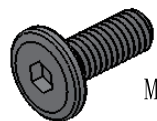


16# 1X



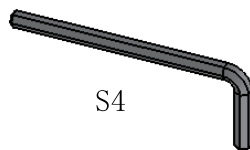


R2 2X



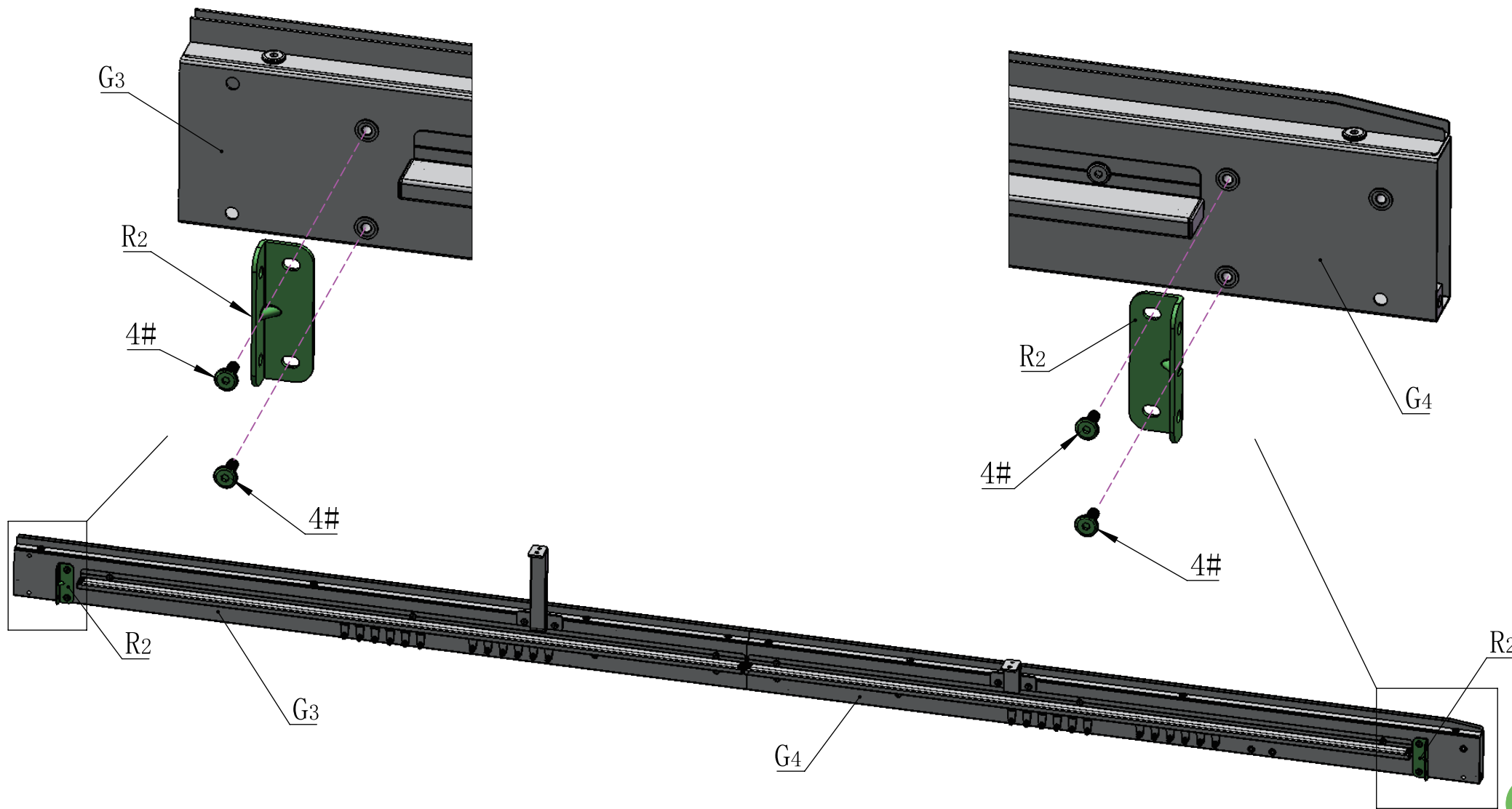
M6*16

4# 4X

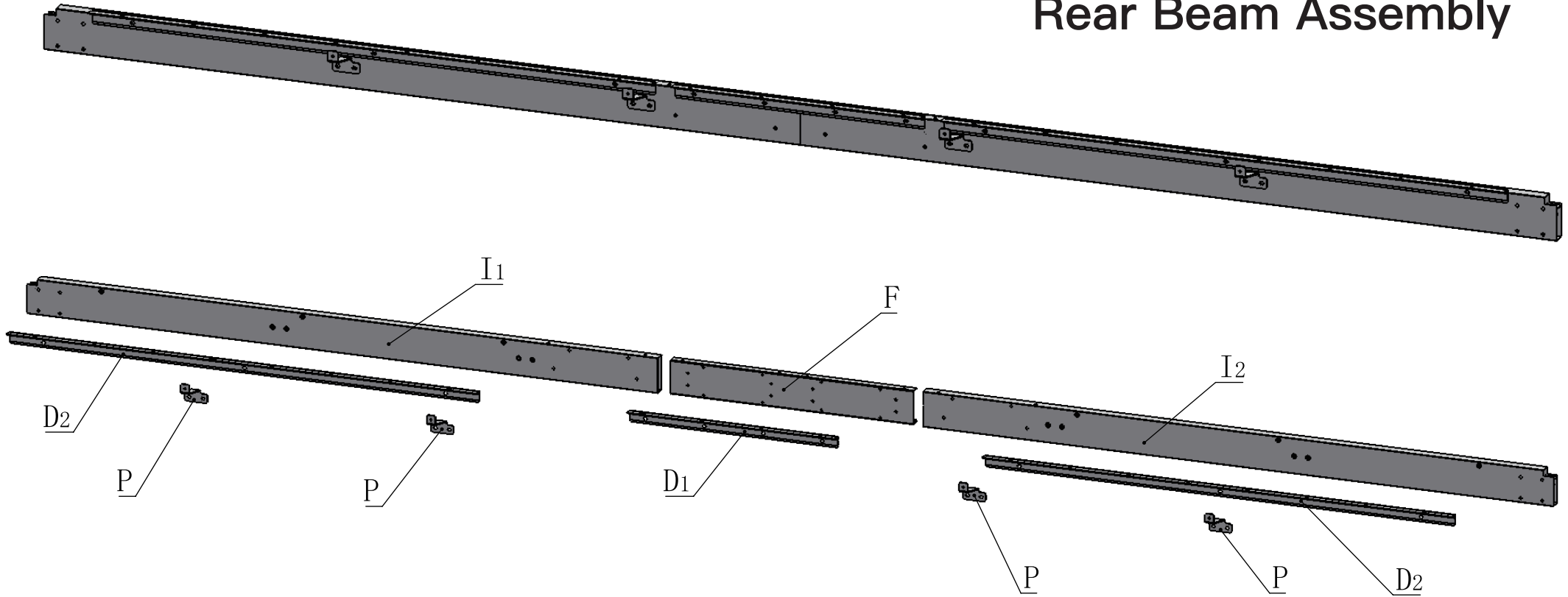


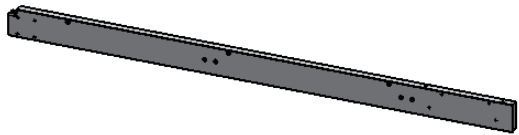
S4

16# 1X

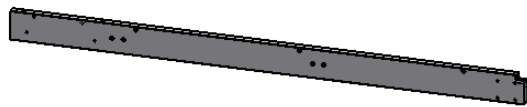


Rear Beam Assembly





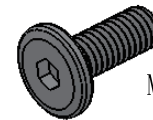
I1 1X



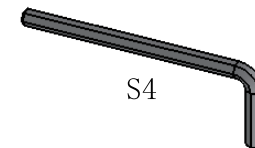
I2 1X



F 1X

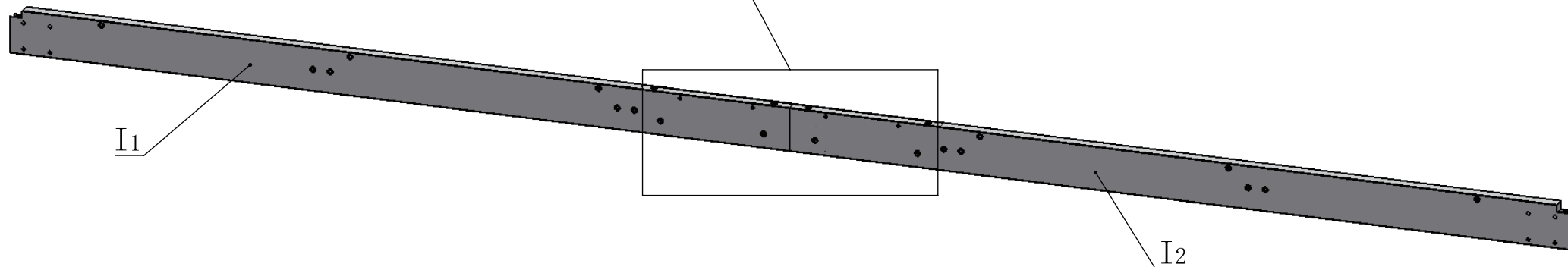
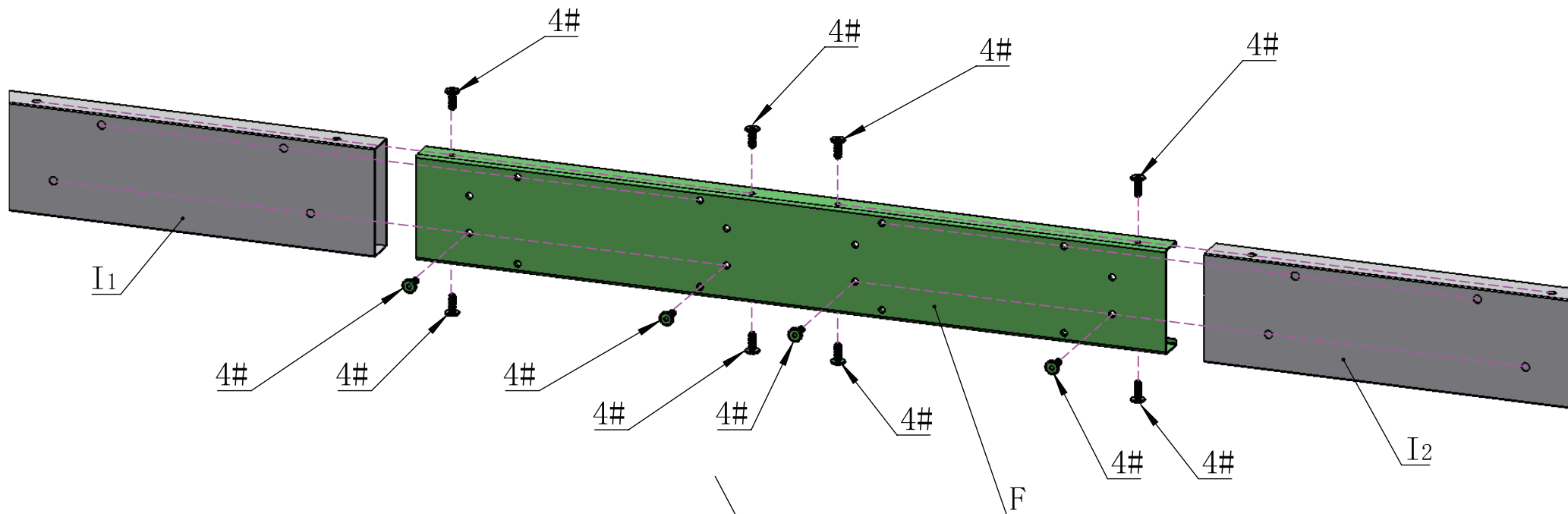


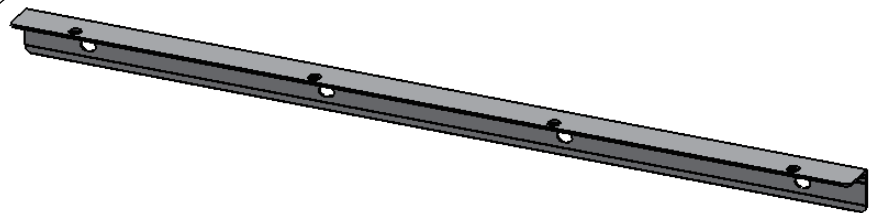
M6*16



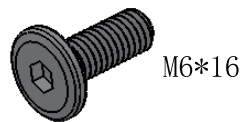
S4

16# 1X



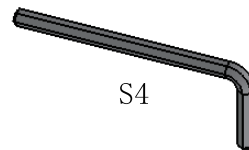


D1 1X



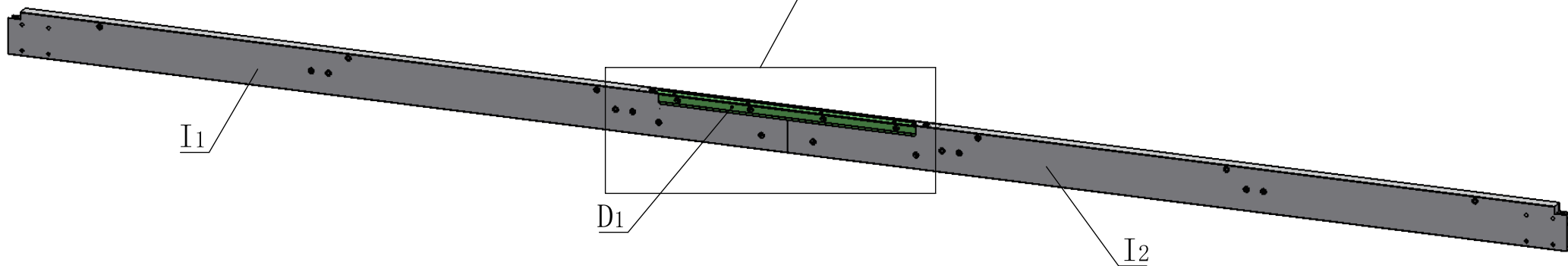
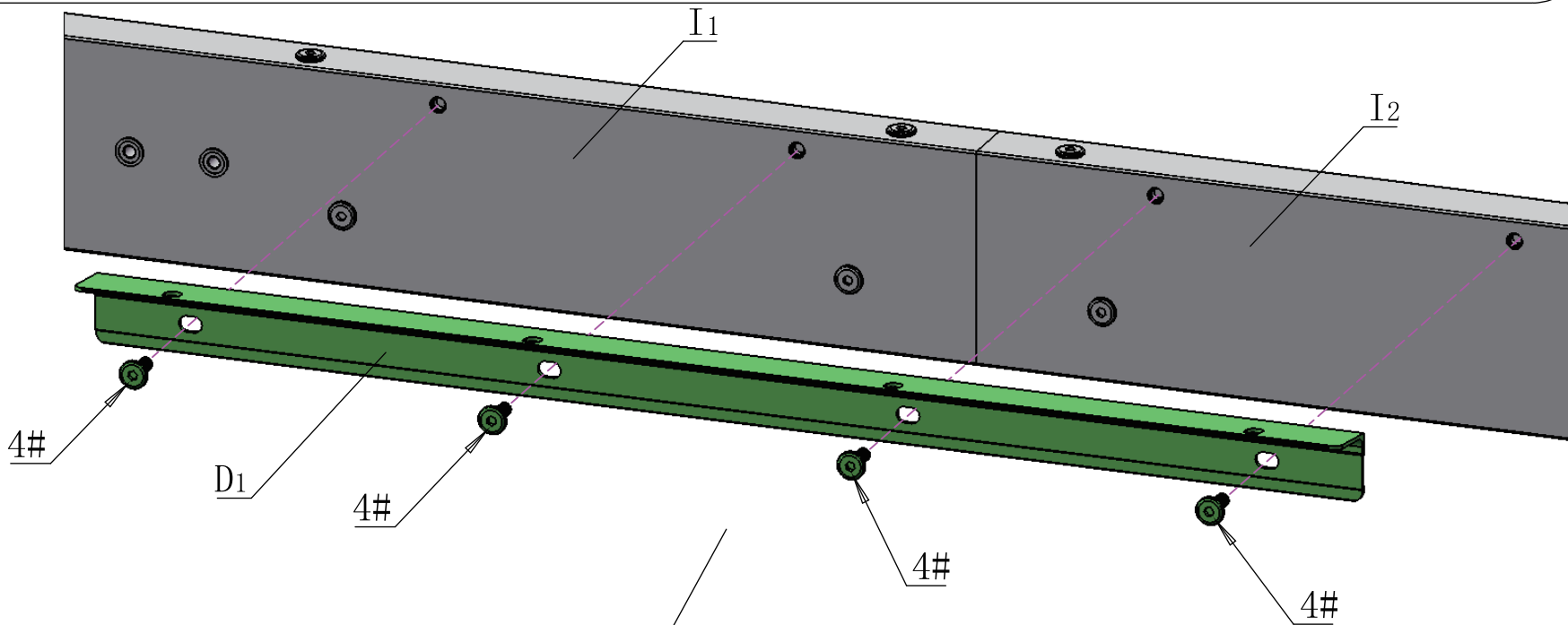
M6*16

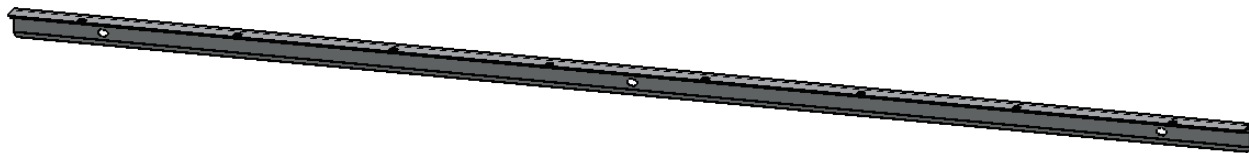
4# 4X



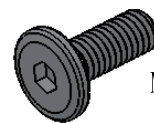
S4

16# 1X





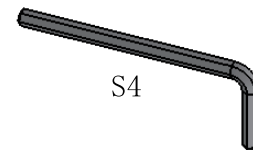
D2 2X



M6*16

4#

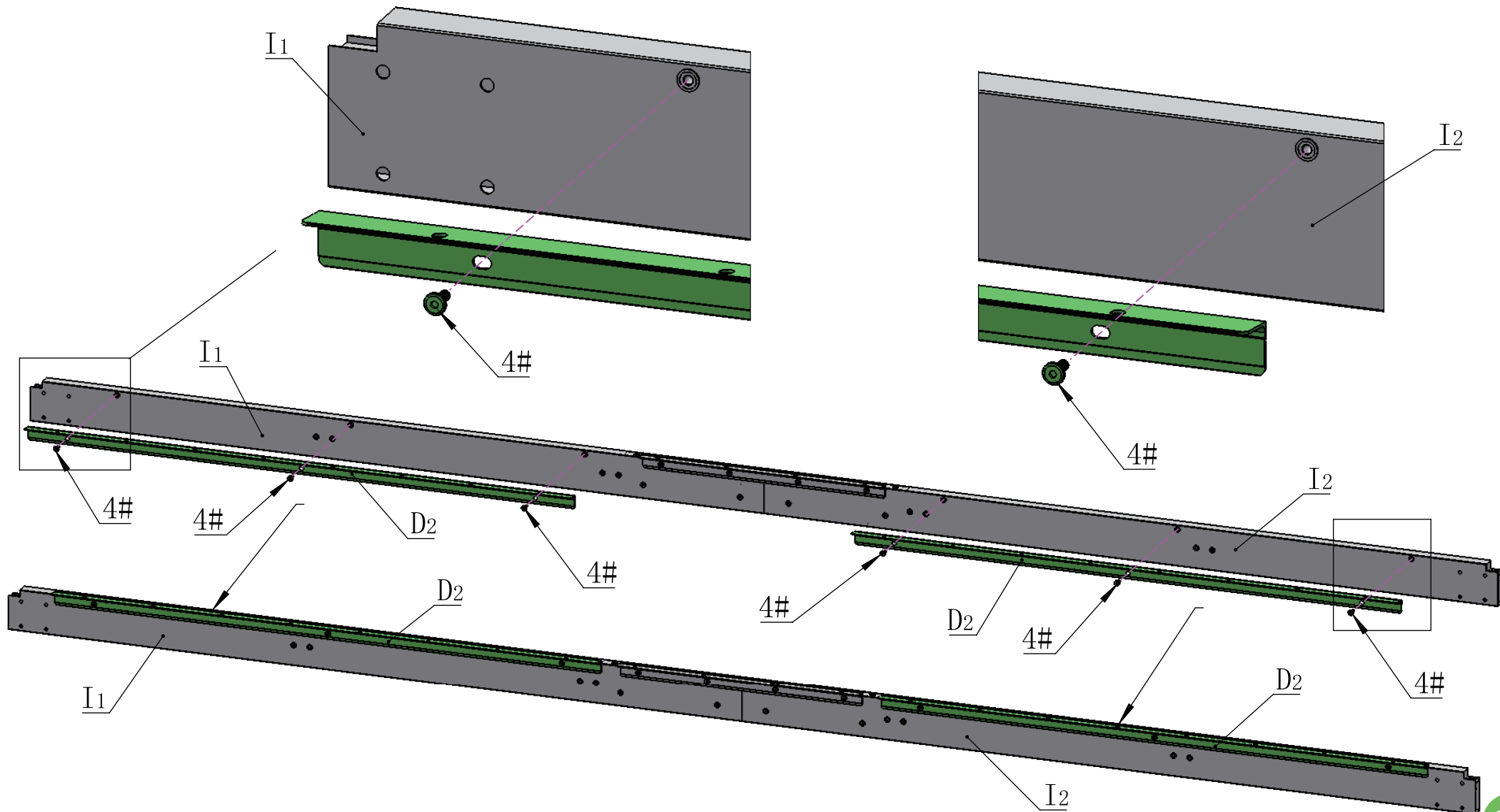
6X

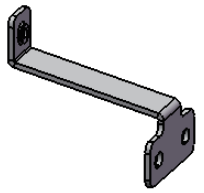


S4

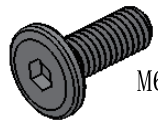
16#

1X

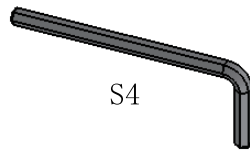




P 4X

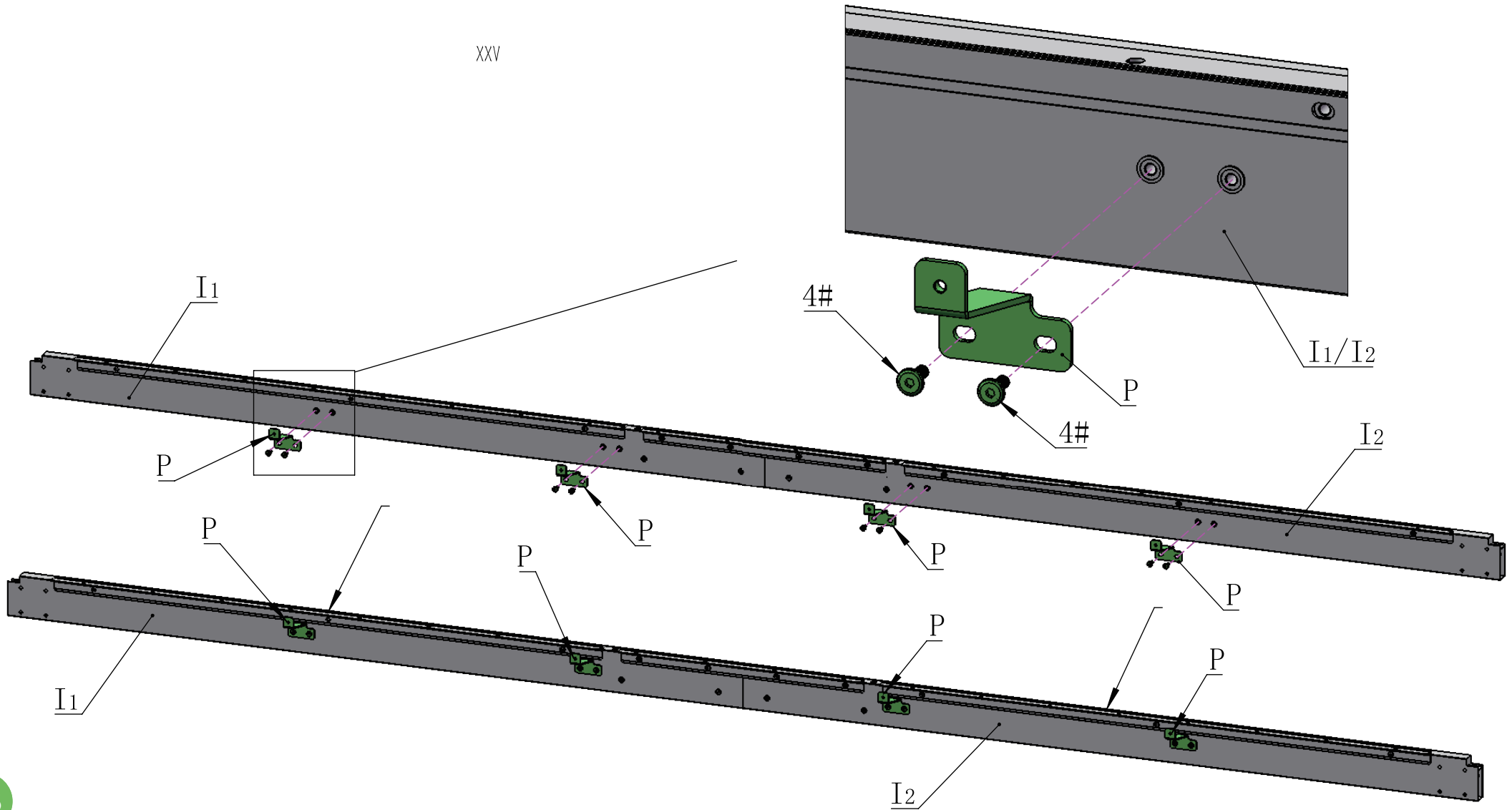


M6*16
4# 8X

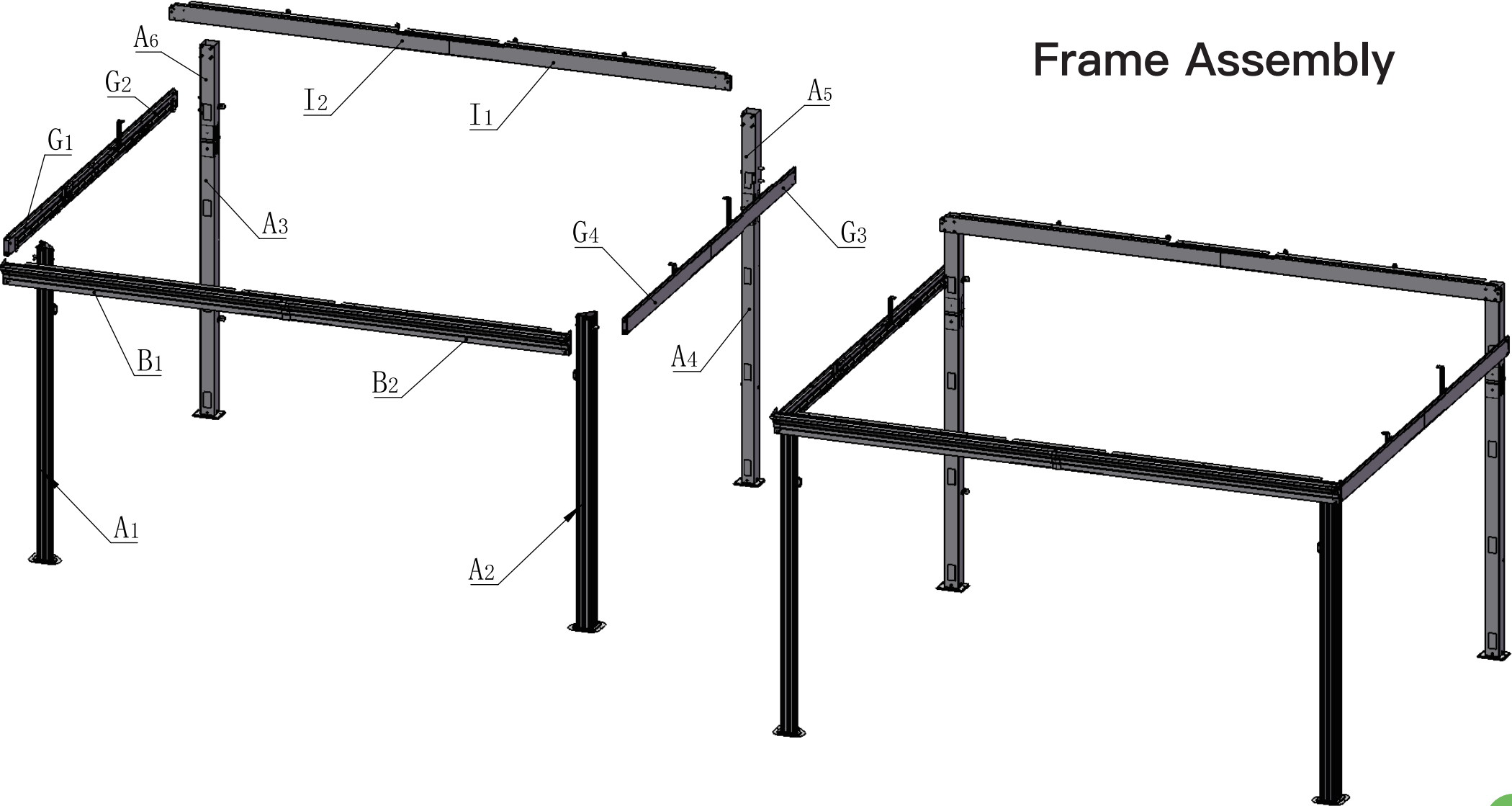


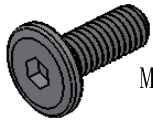
S4
16# 1X

XXV

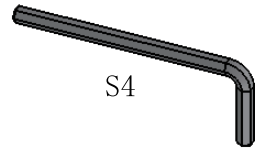


Frame Assembly





M6*16



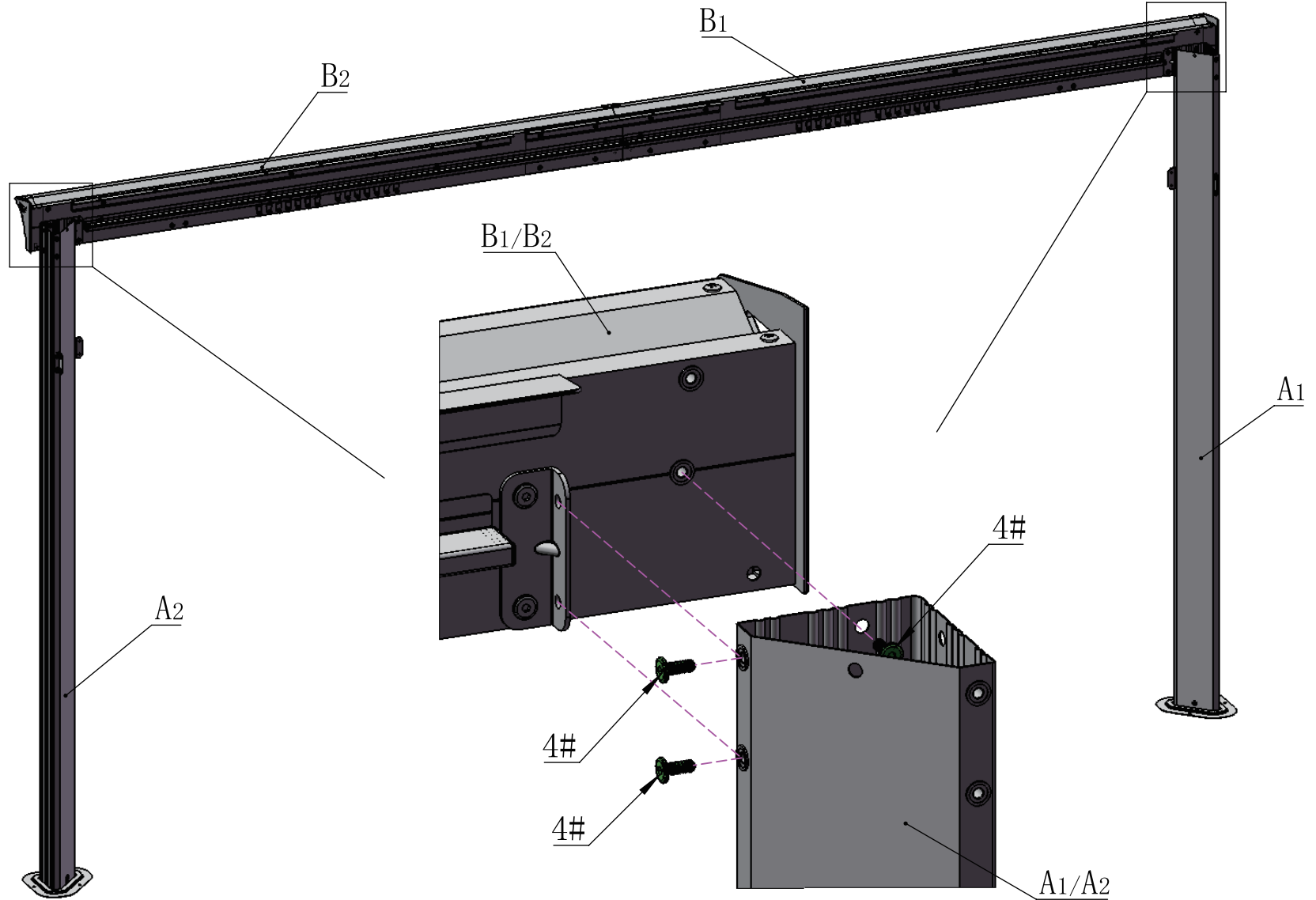
S4

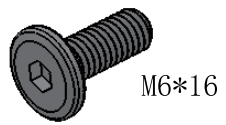
4#

6X

16#

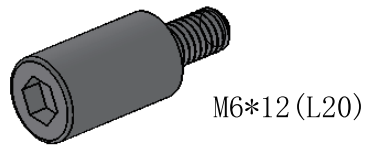
1X





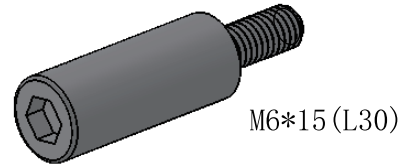
M6*16

4# 10X



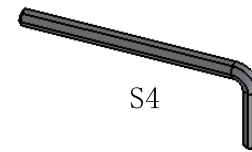
M6*12 (L20)

7# 2X



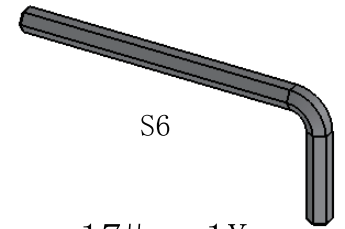
M6*15 (L30)

8# 6X



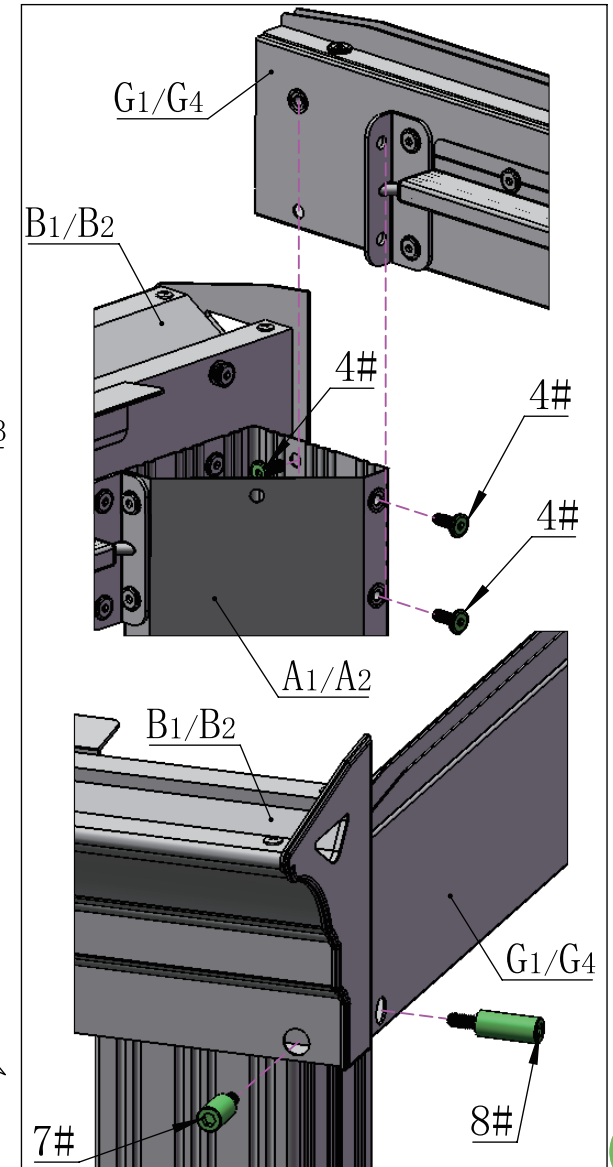
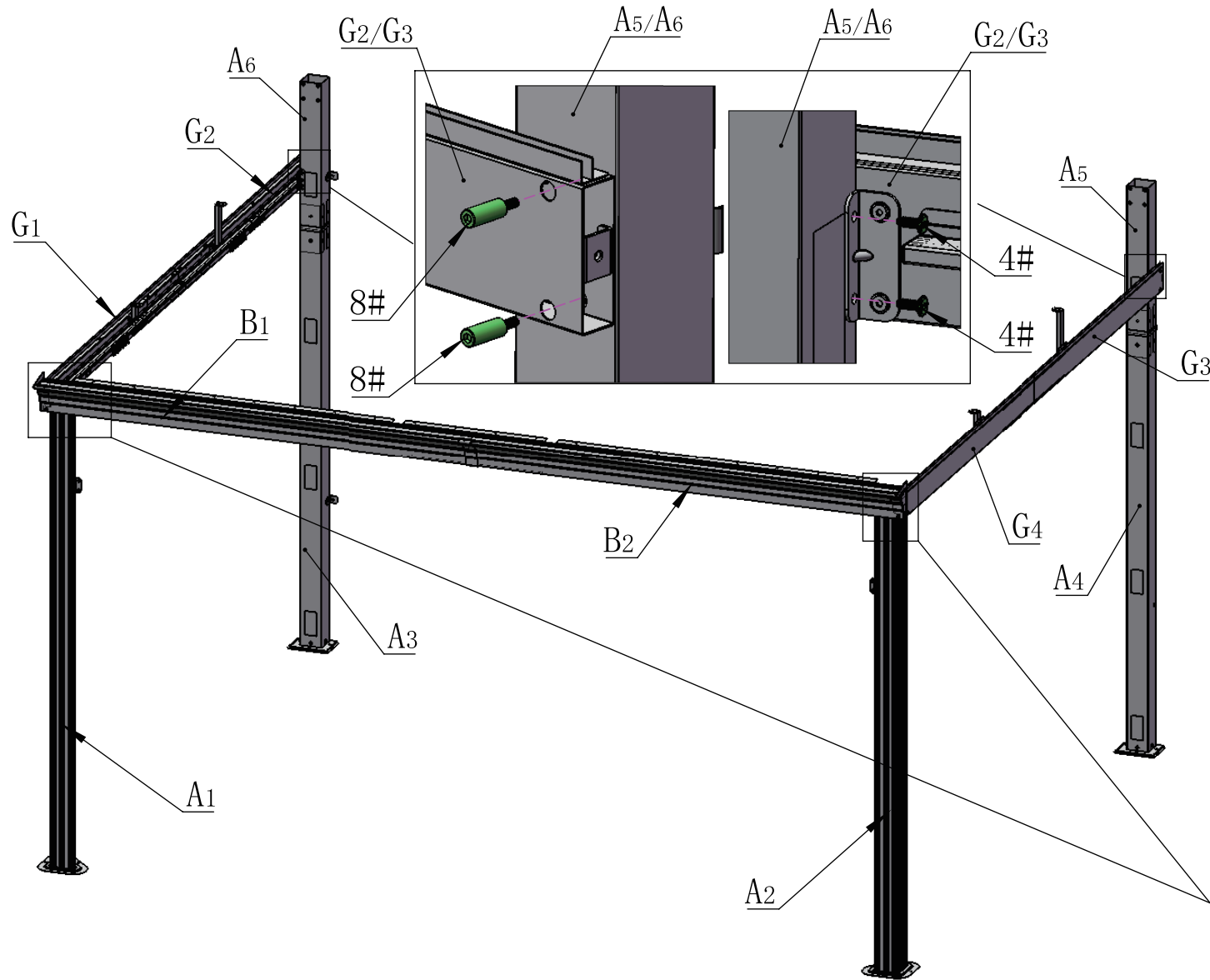
S4

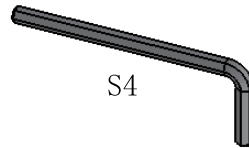
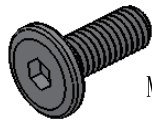
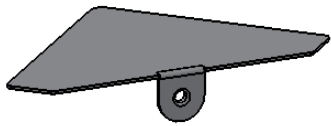
16# 1X



S6

17# 1X





Q

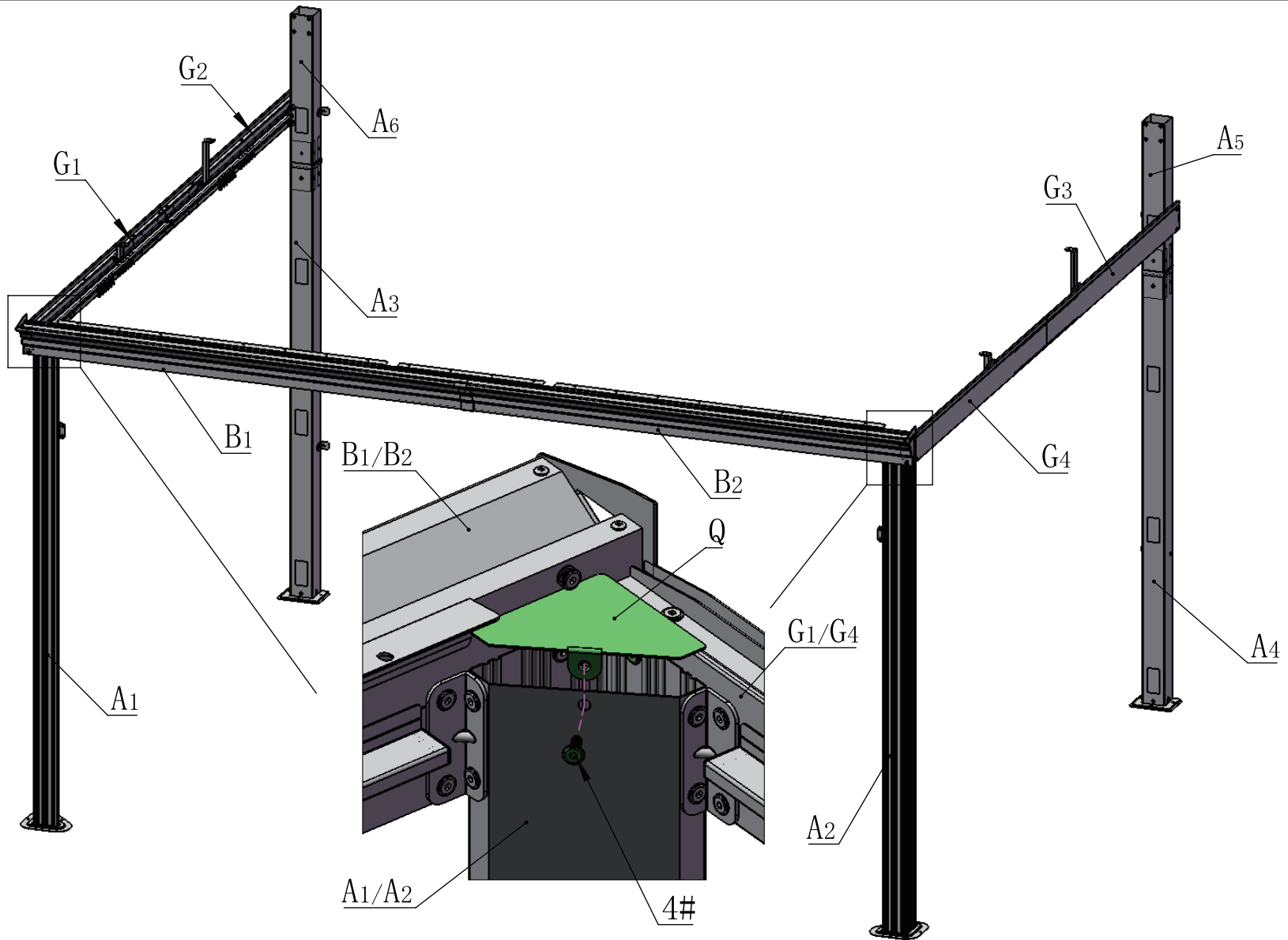
2X

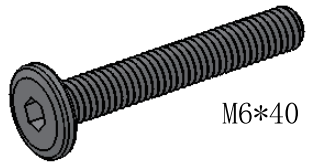
4#

2X

16#

1X

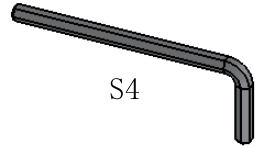




M6*40

6#

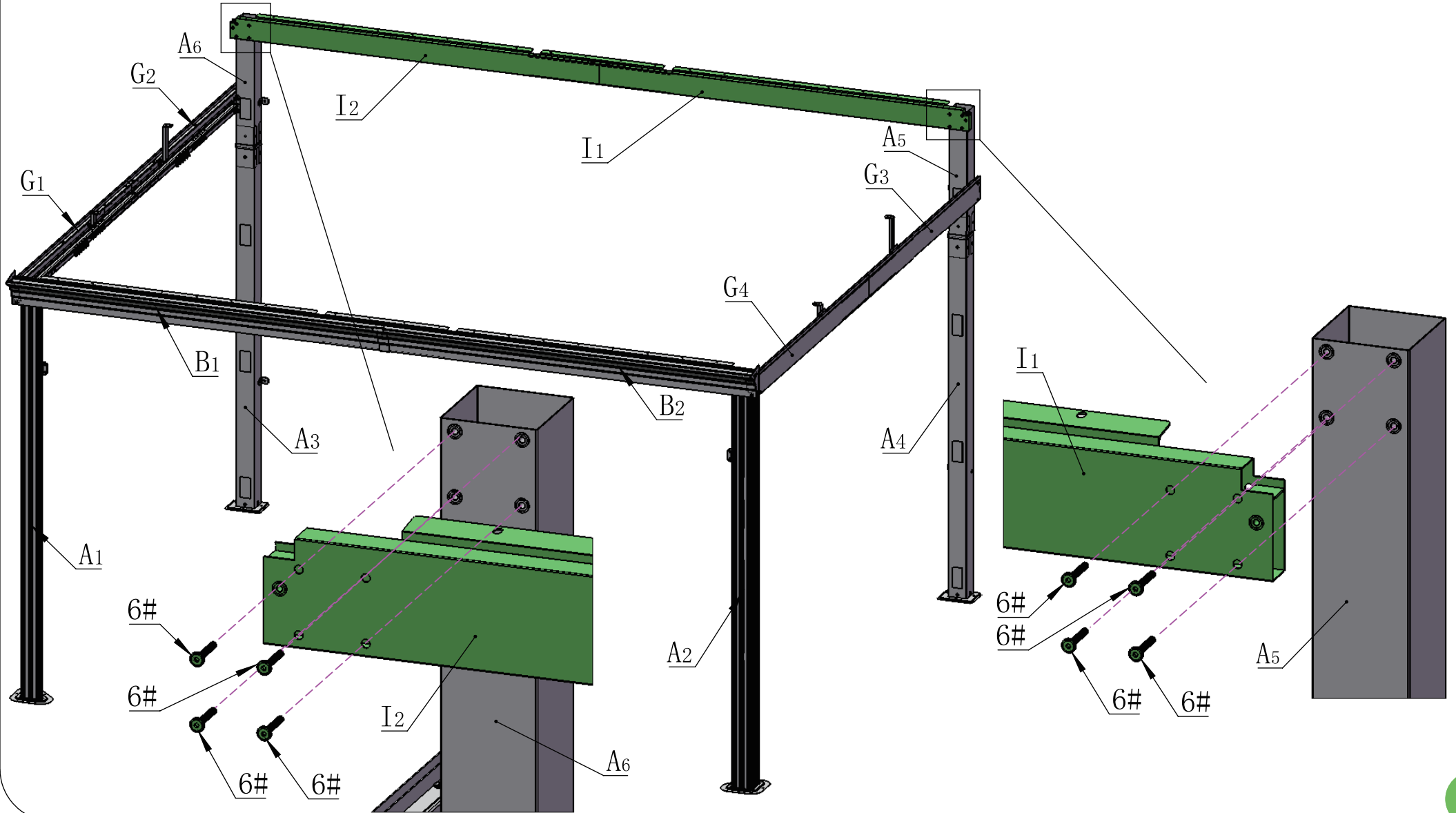
8X

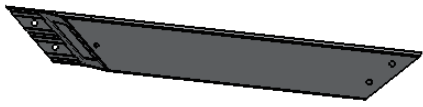


S4

16#

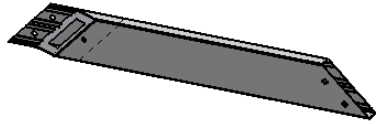
1X





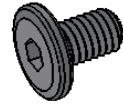
S1

2X



S2

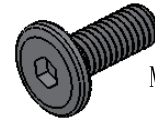
2X



M6*10

3#

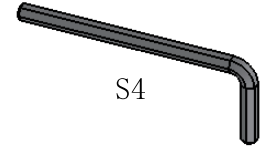
8X



M6*16

4#

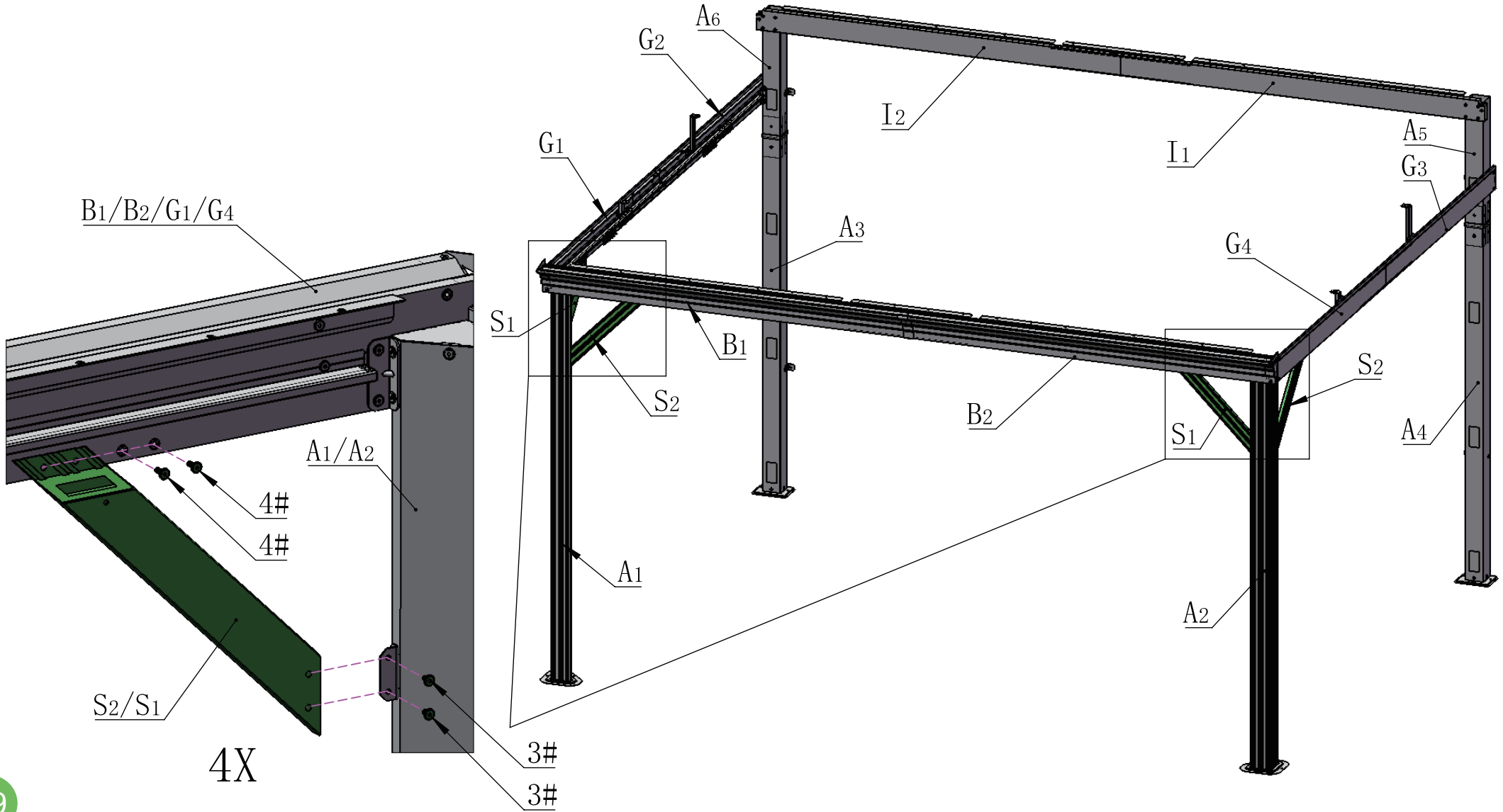
8X



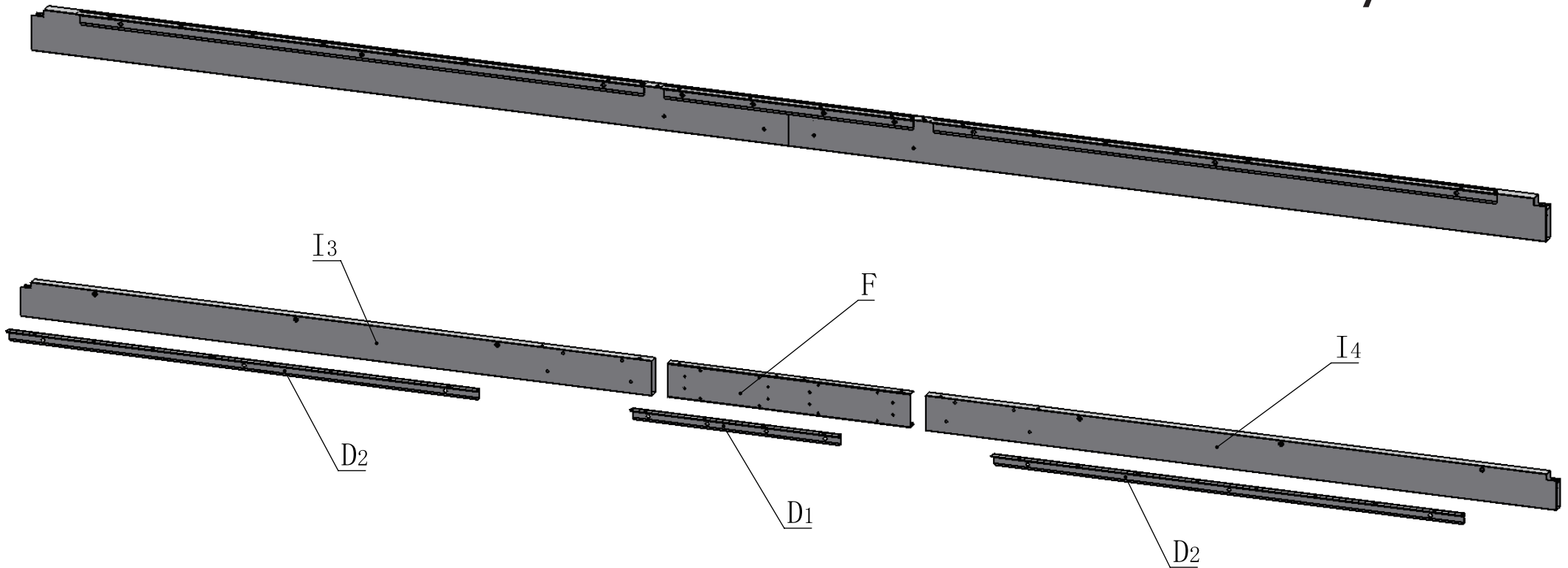
S4

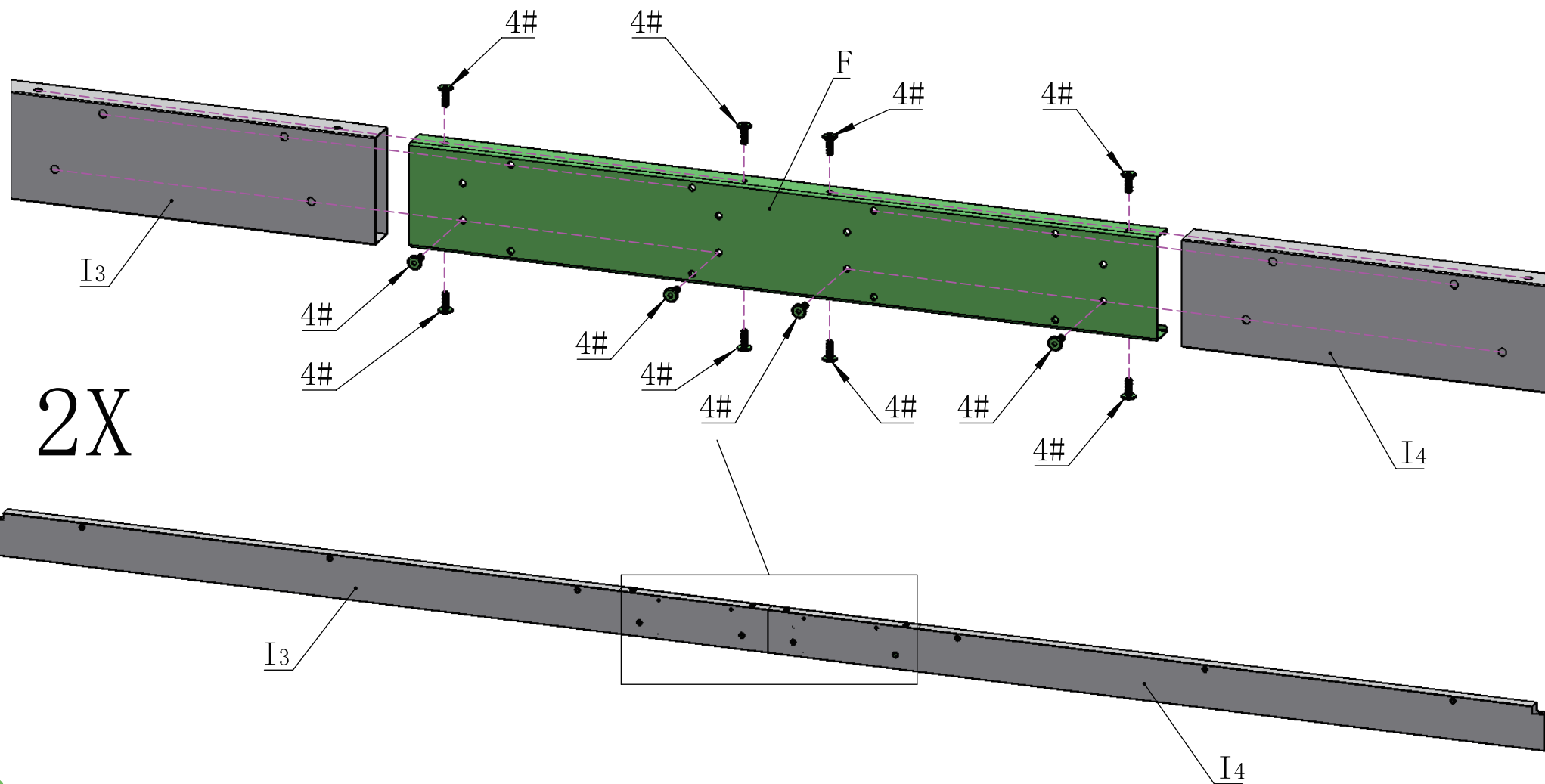
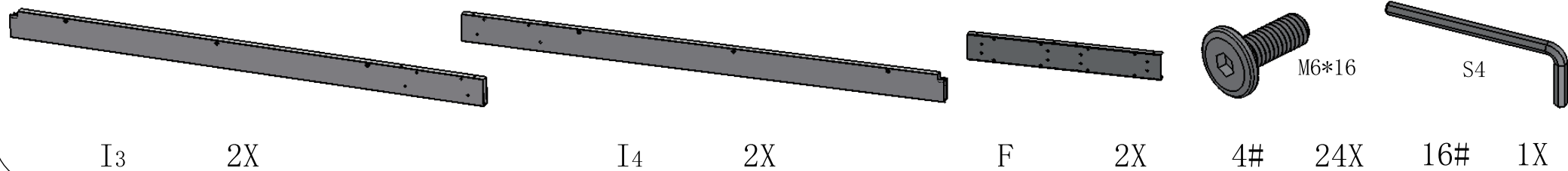
16#

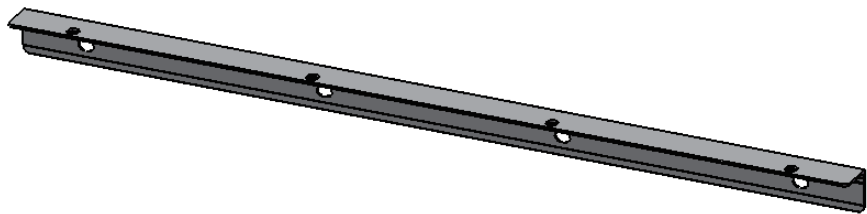
1X



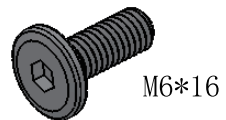
Two Central Beam Assembly 2X





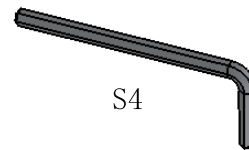


D1 2X



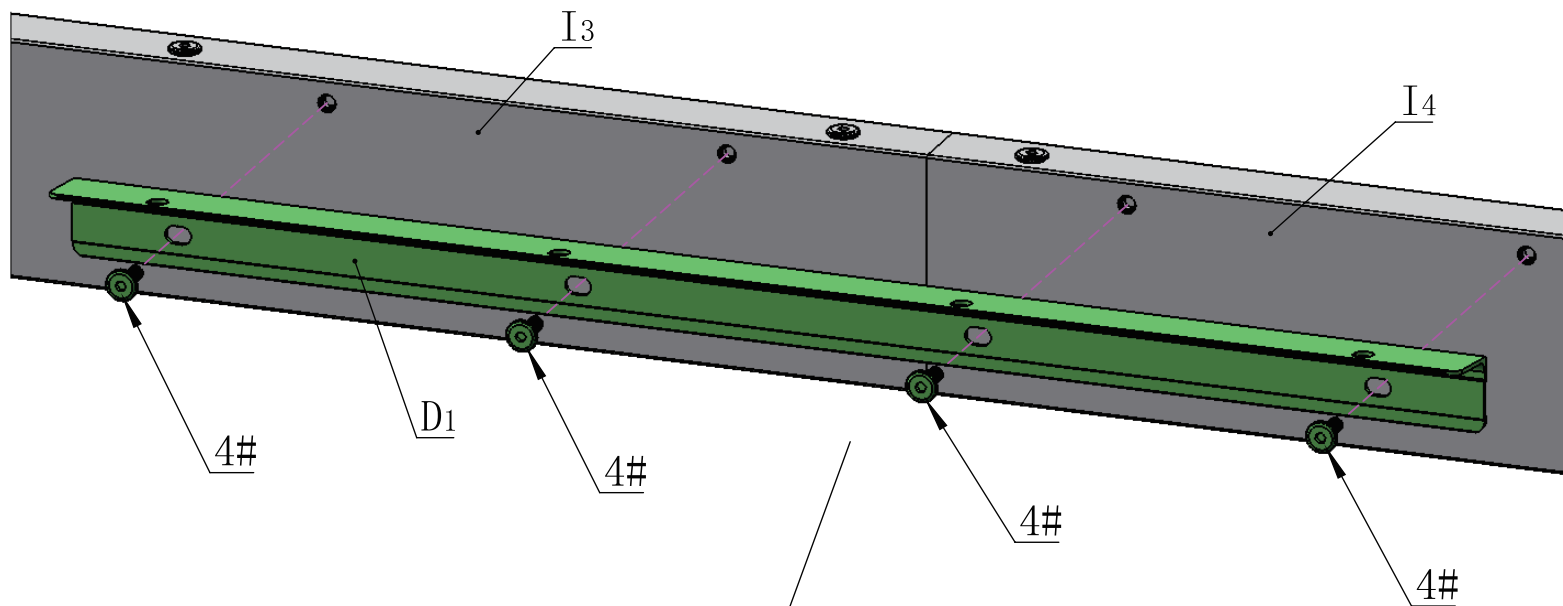
M6*16

4# 8X

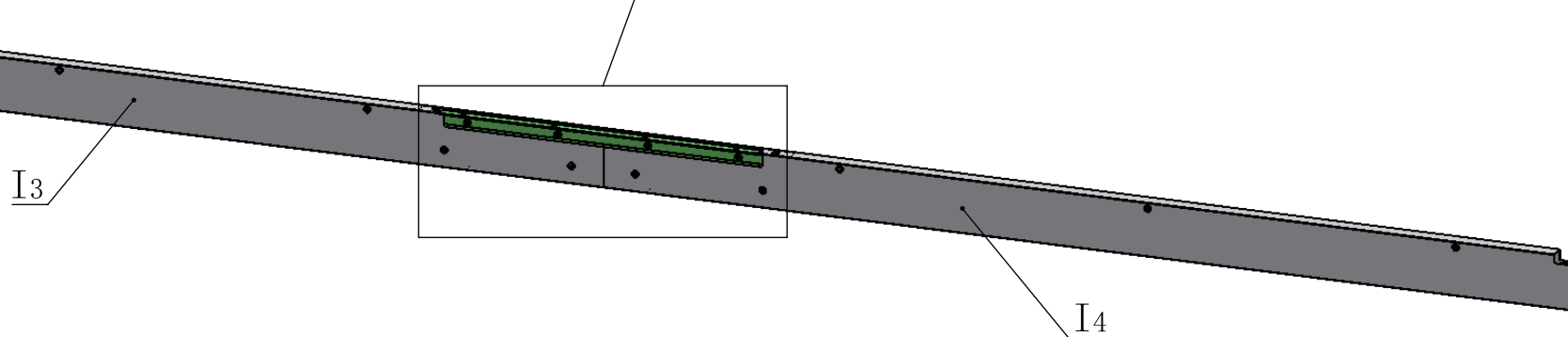


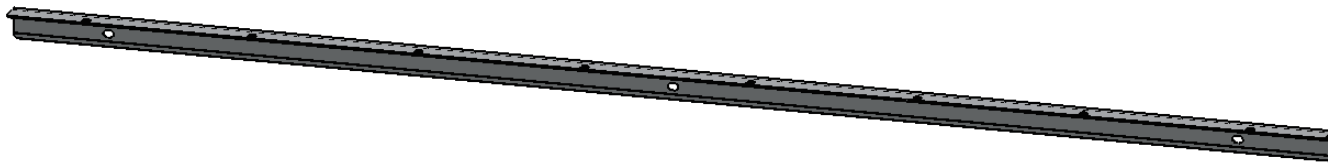
S4

16# 1X

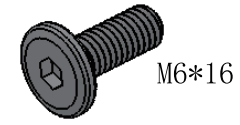


2X

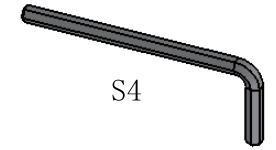




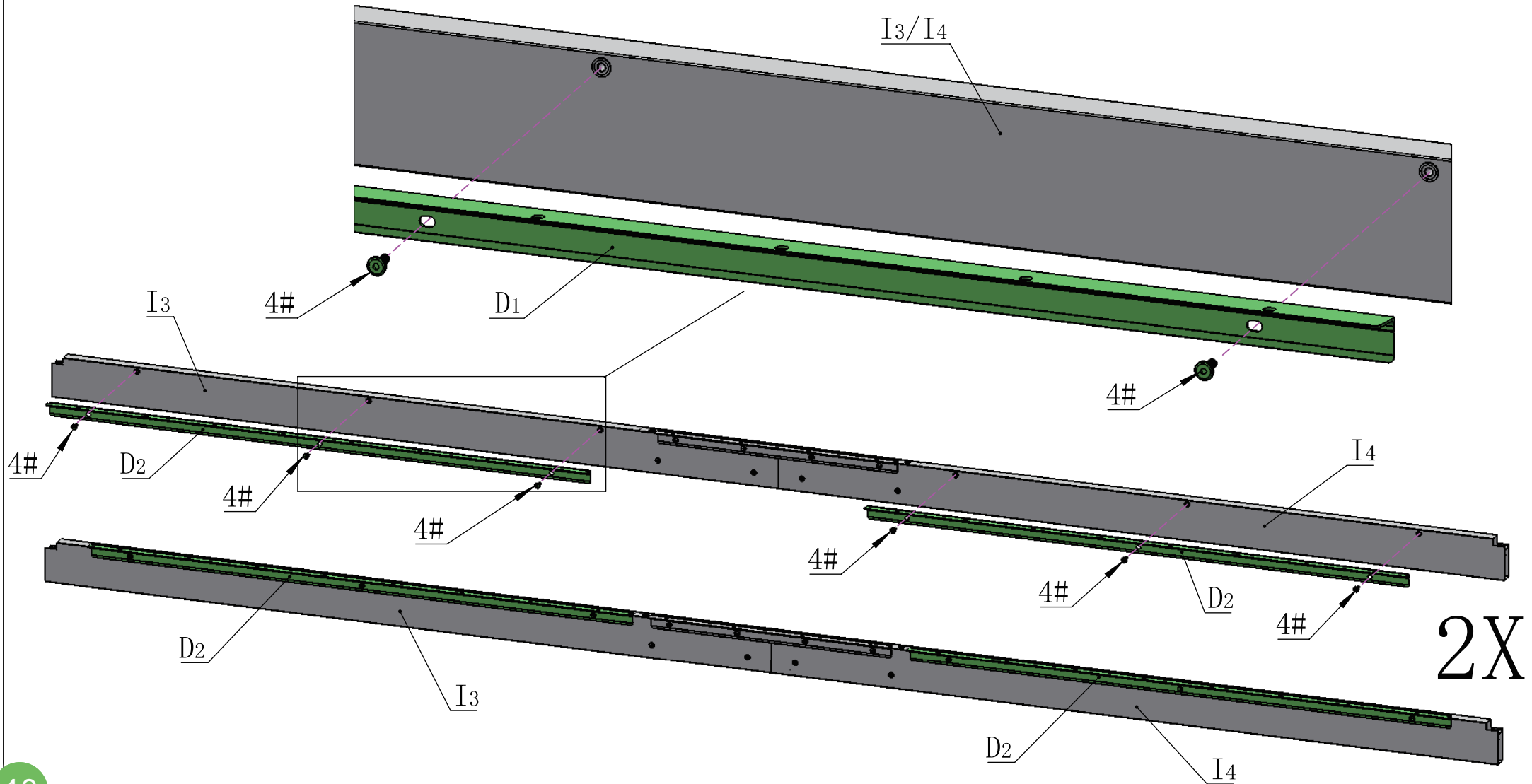
D2 4X

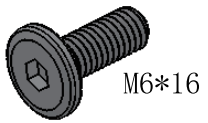


4# M6*16 12X

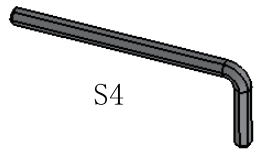


16# S4 1X





M6*16



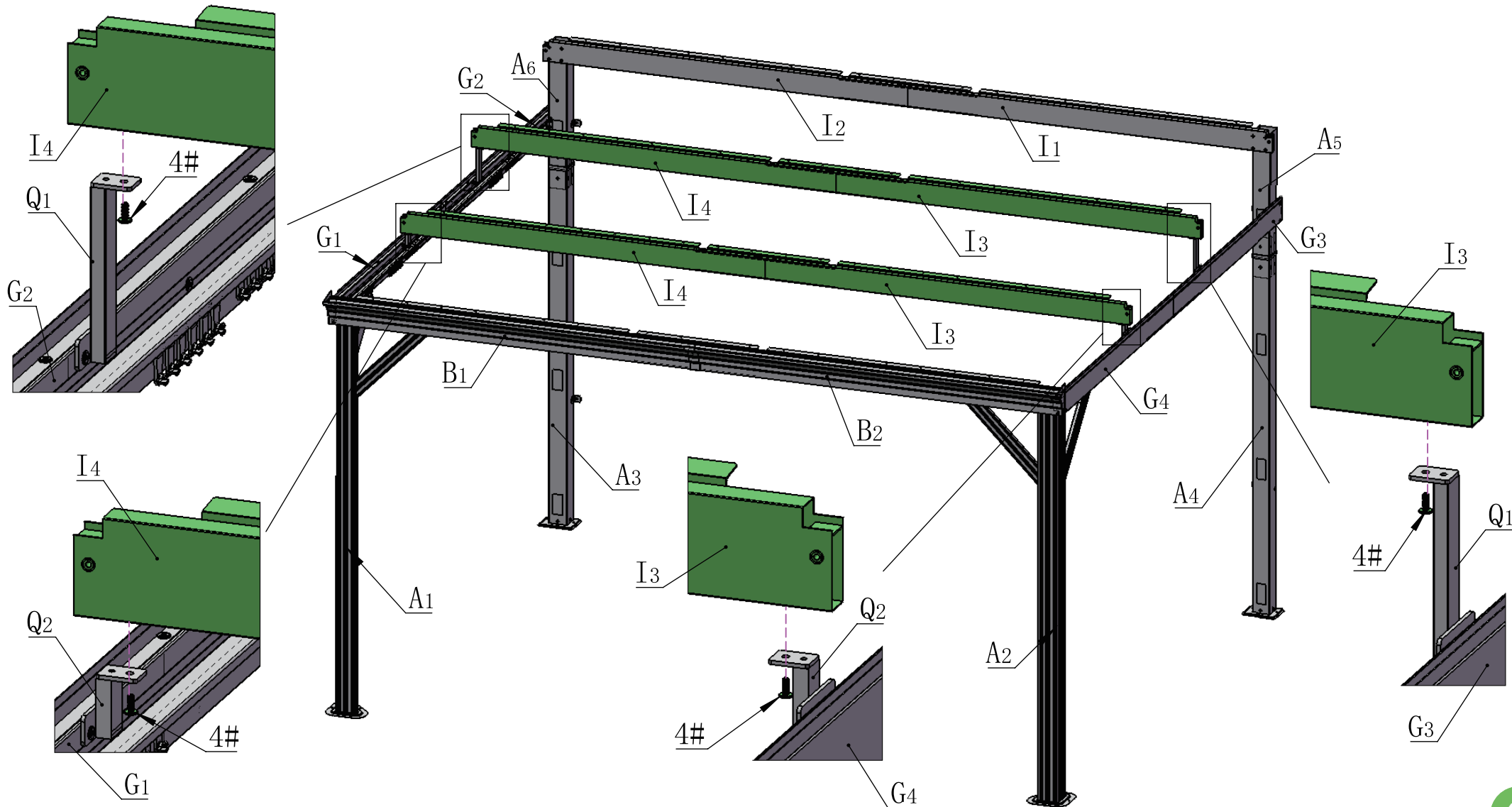
S4

4#

4X

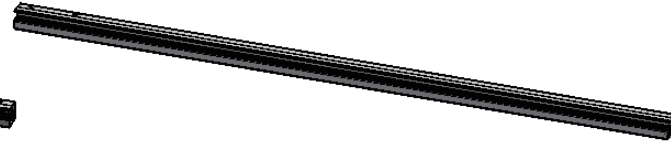
16#

1X





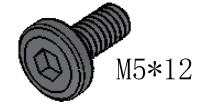
J1 1X



J2 1X

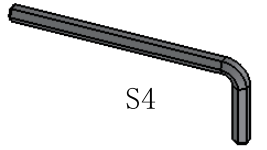


K 1X



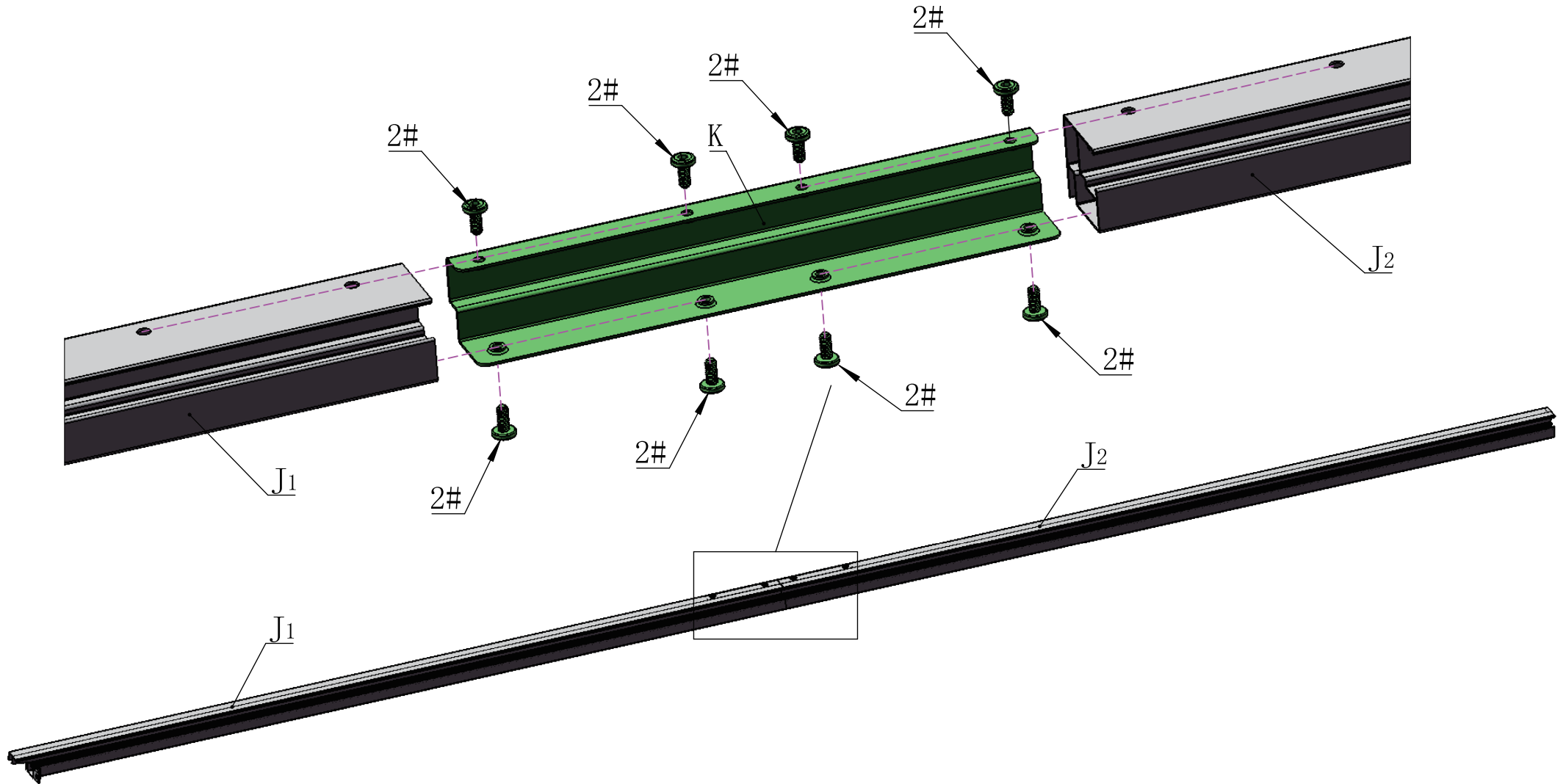
2#

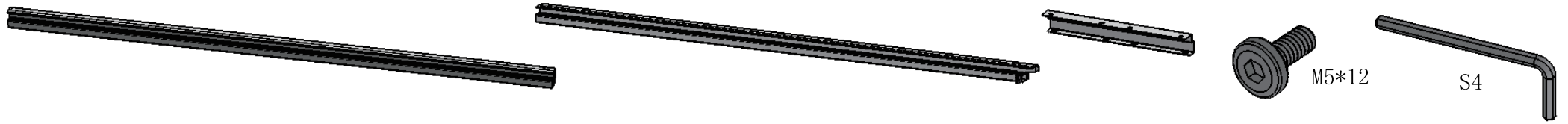
8X



16#

1X





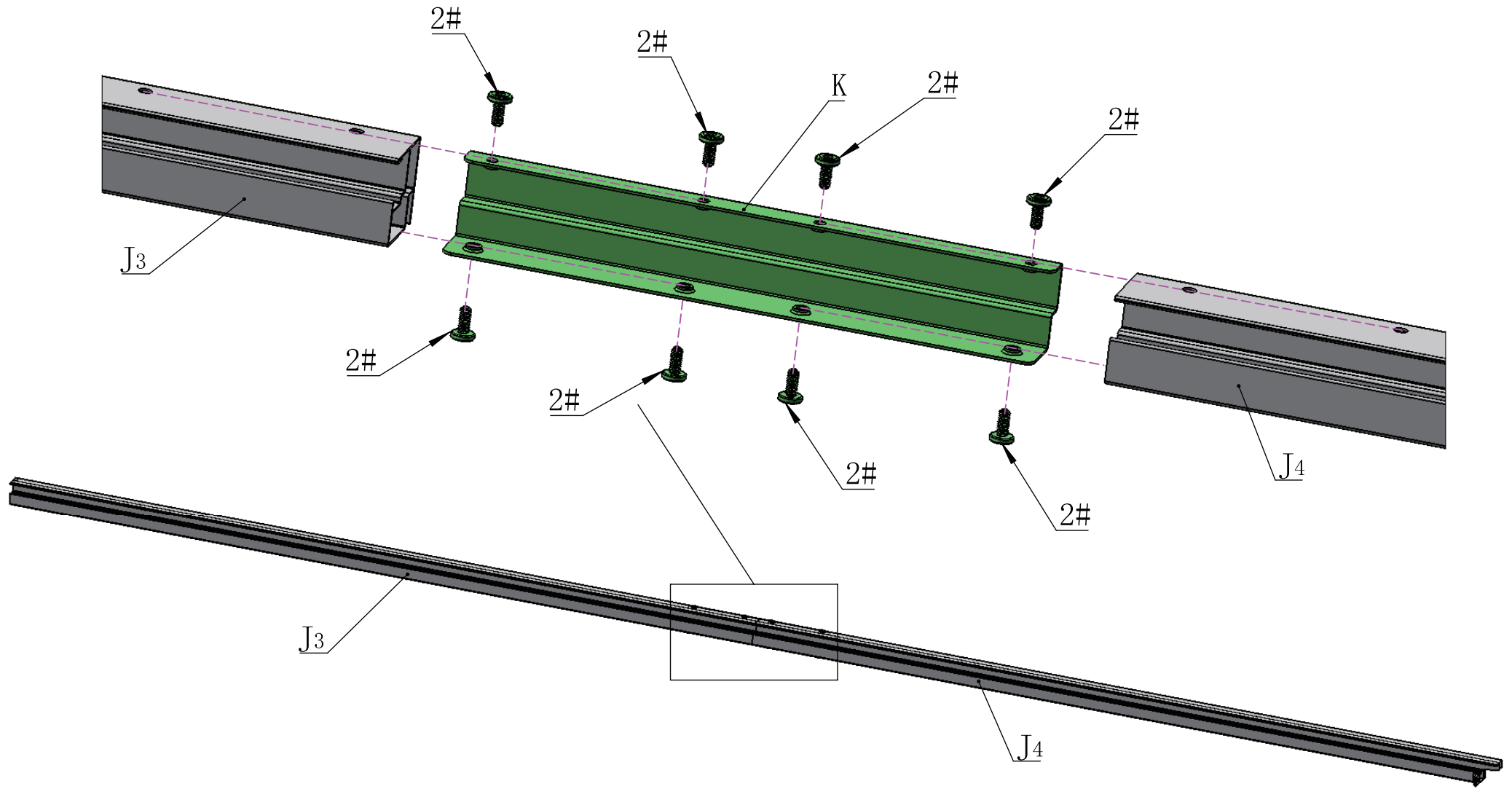
J3 1X

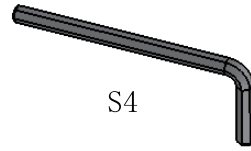
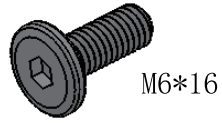
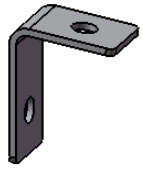
J4 1X

K 1X

2# M5*12 8X

16# S4 1X

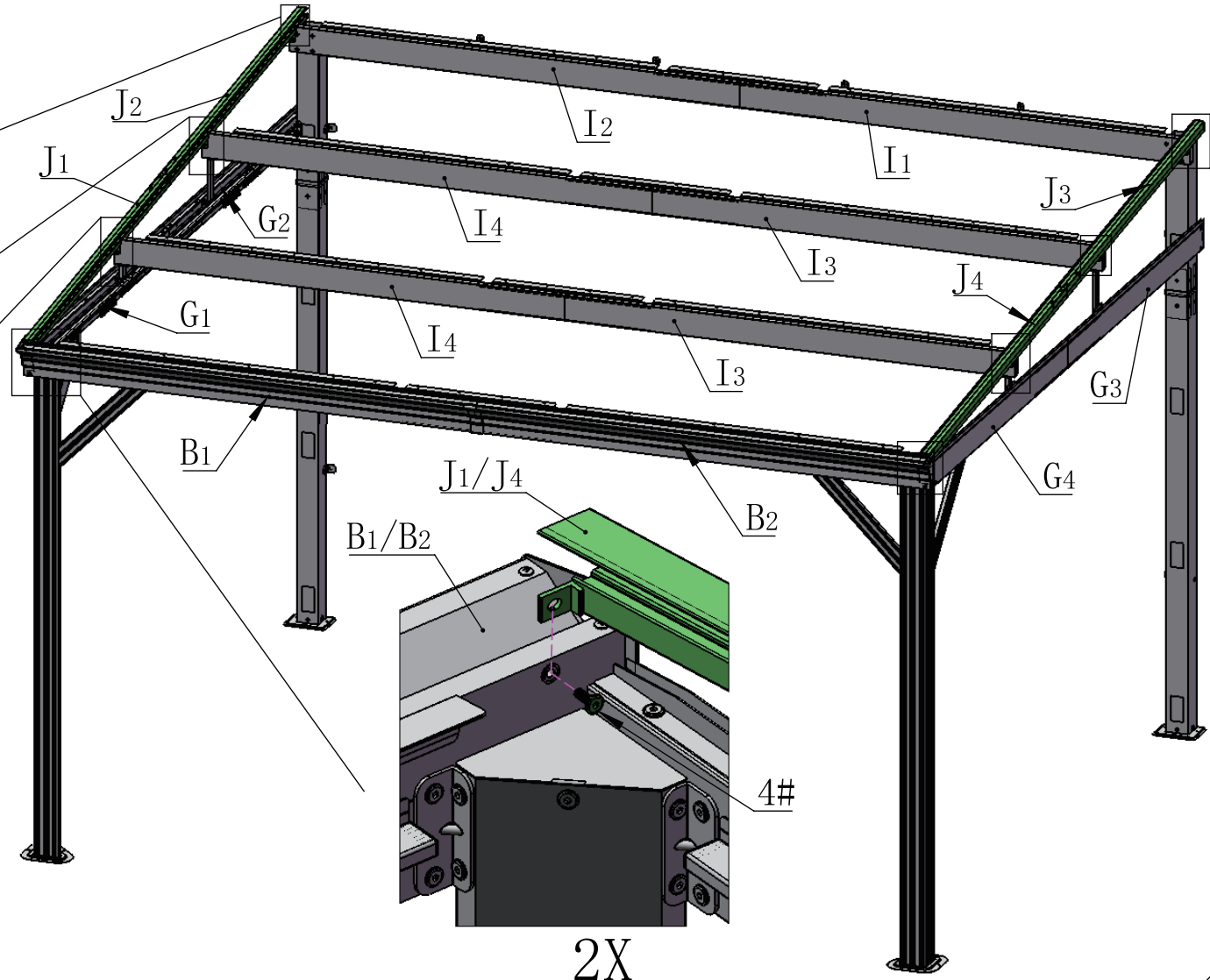
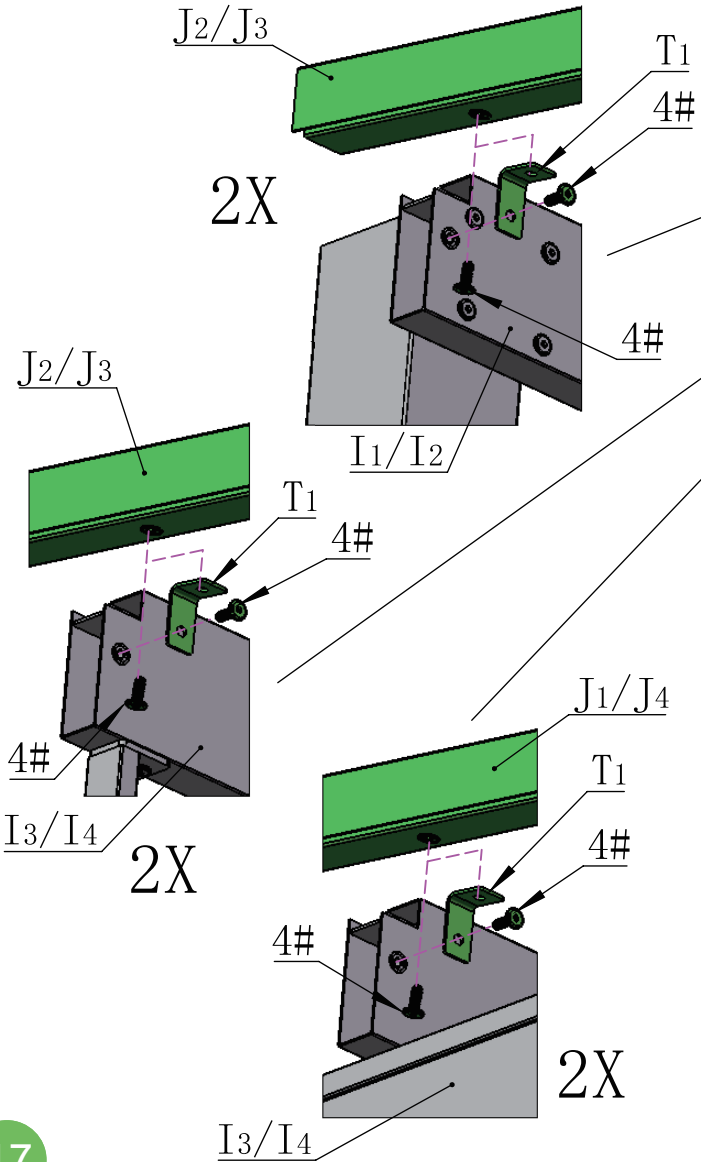


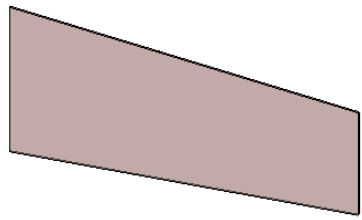


T1 6X

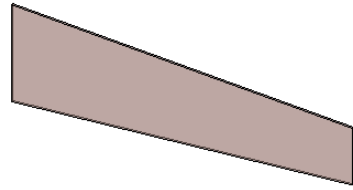
4# 14X

16# 1X

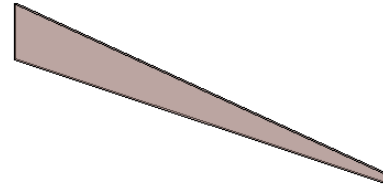




V1 1X



V3 1X



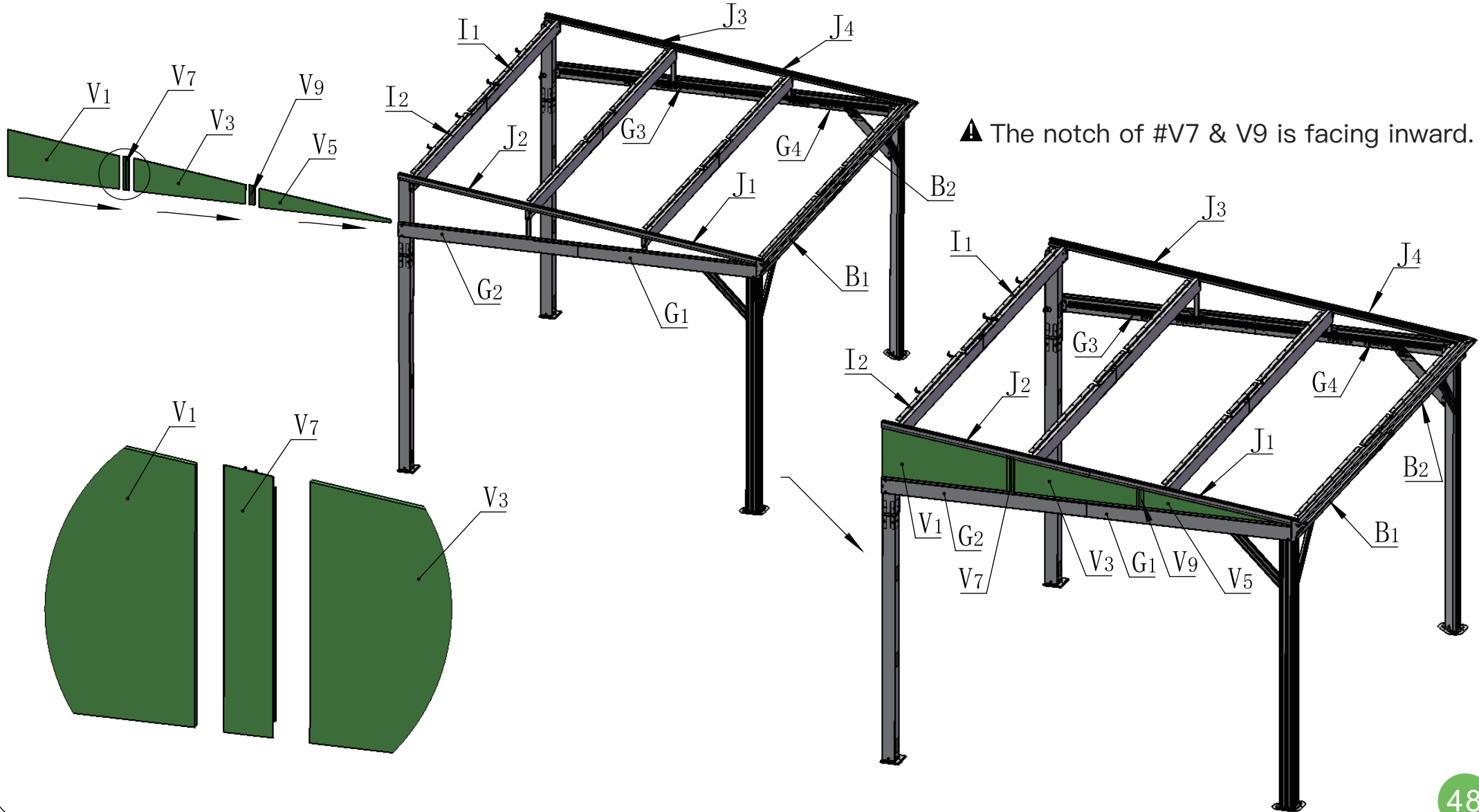
V5 1X



V7 1X

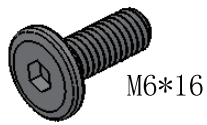


V9 1X

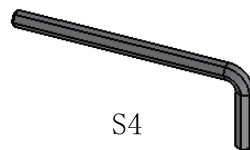




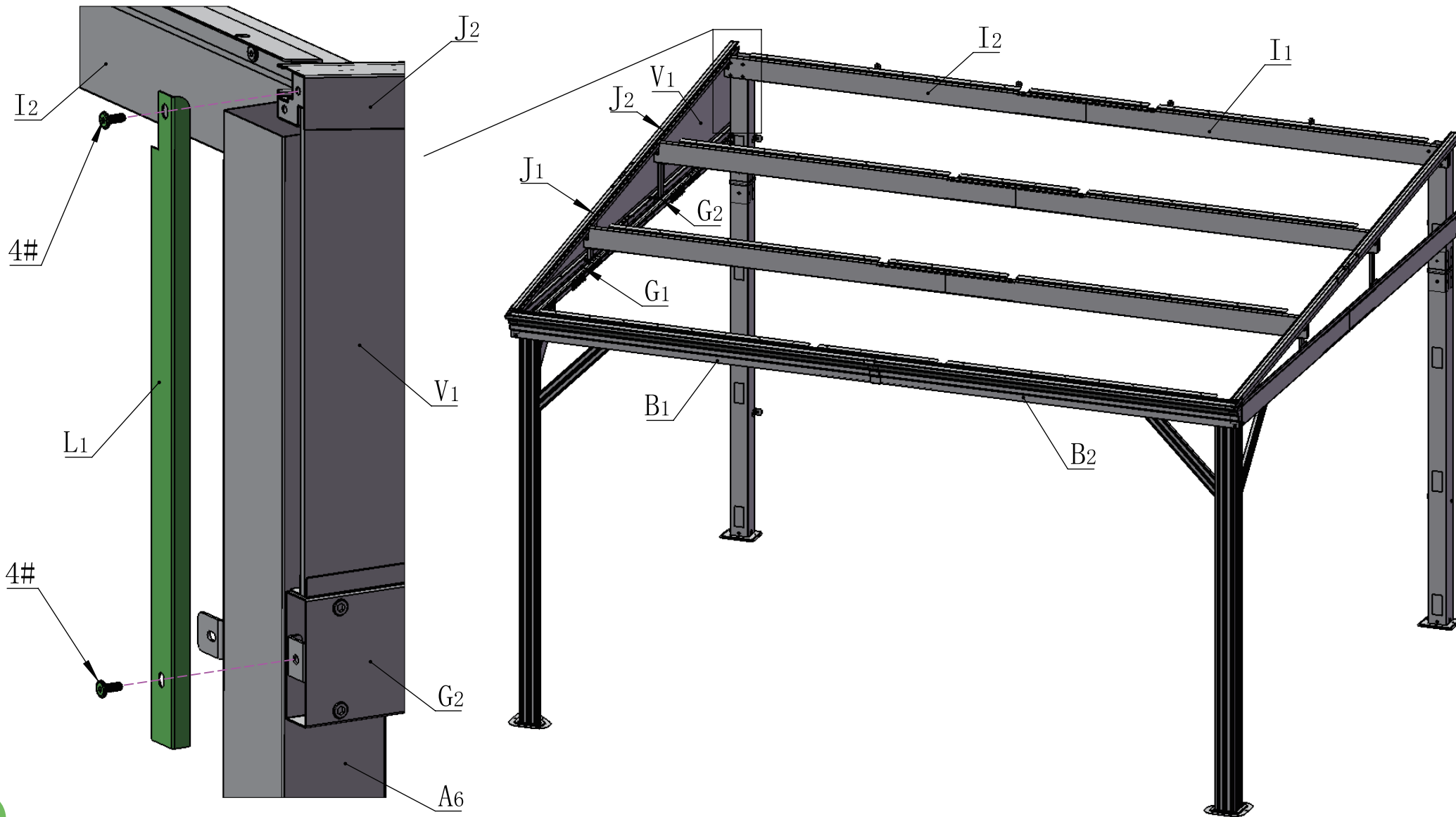
L1 1X

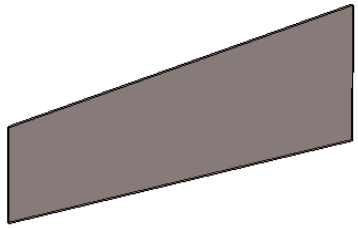


4# 2X

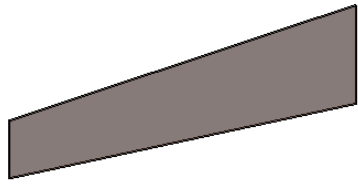


16# 1X

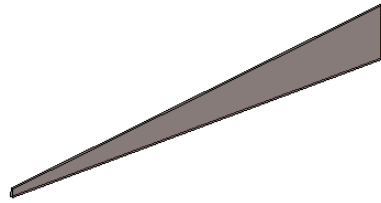




V2 1X



V4 1X



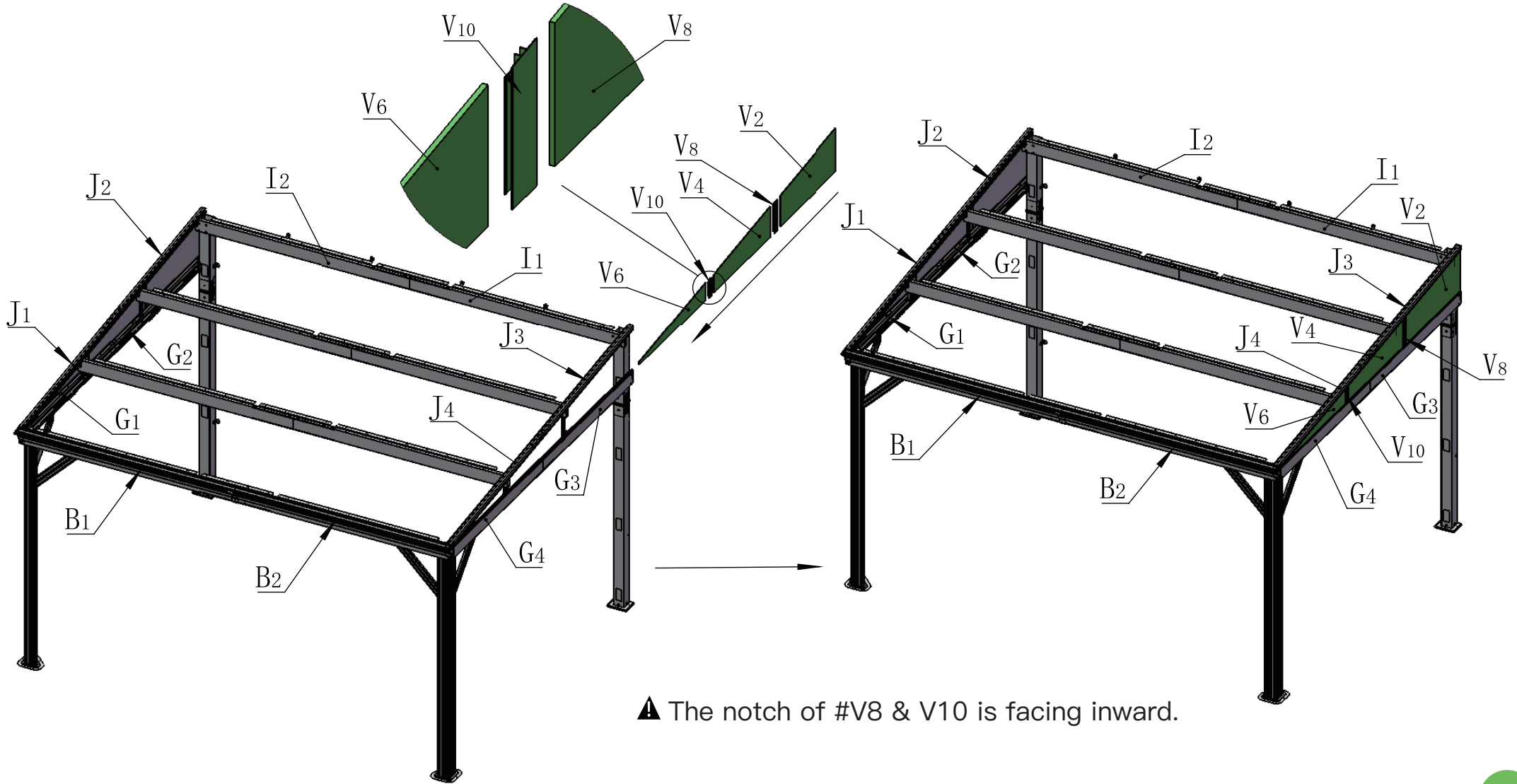
V6 1X



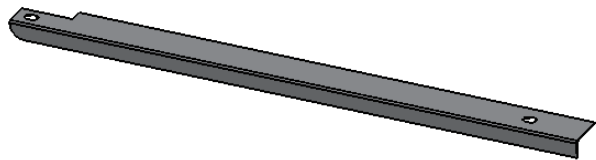
V8 1X



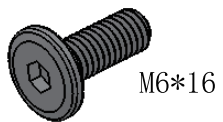
V10 1X



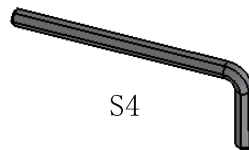
▲ The notch of #V8 & V10 is facing inward.



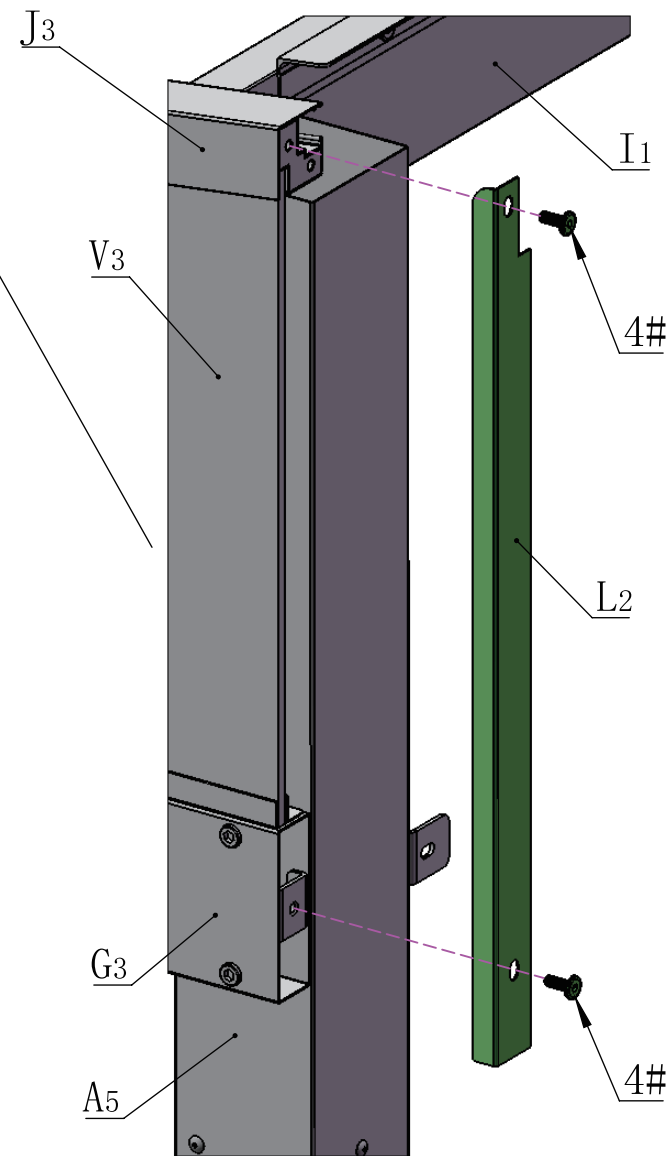
L2 1X

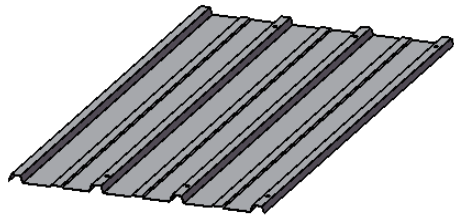


M6*16
4# 2X

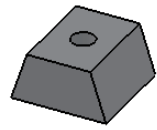


S4
16# 1X

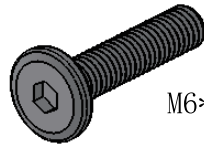




Y1 1X



X 2X



5#

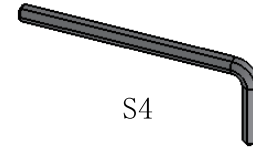
M6*28

2X



11#

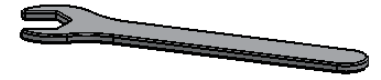
2X



S4

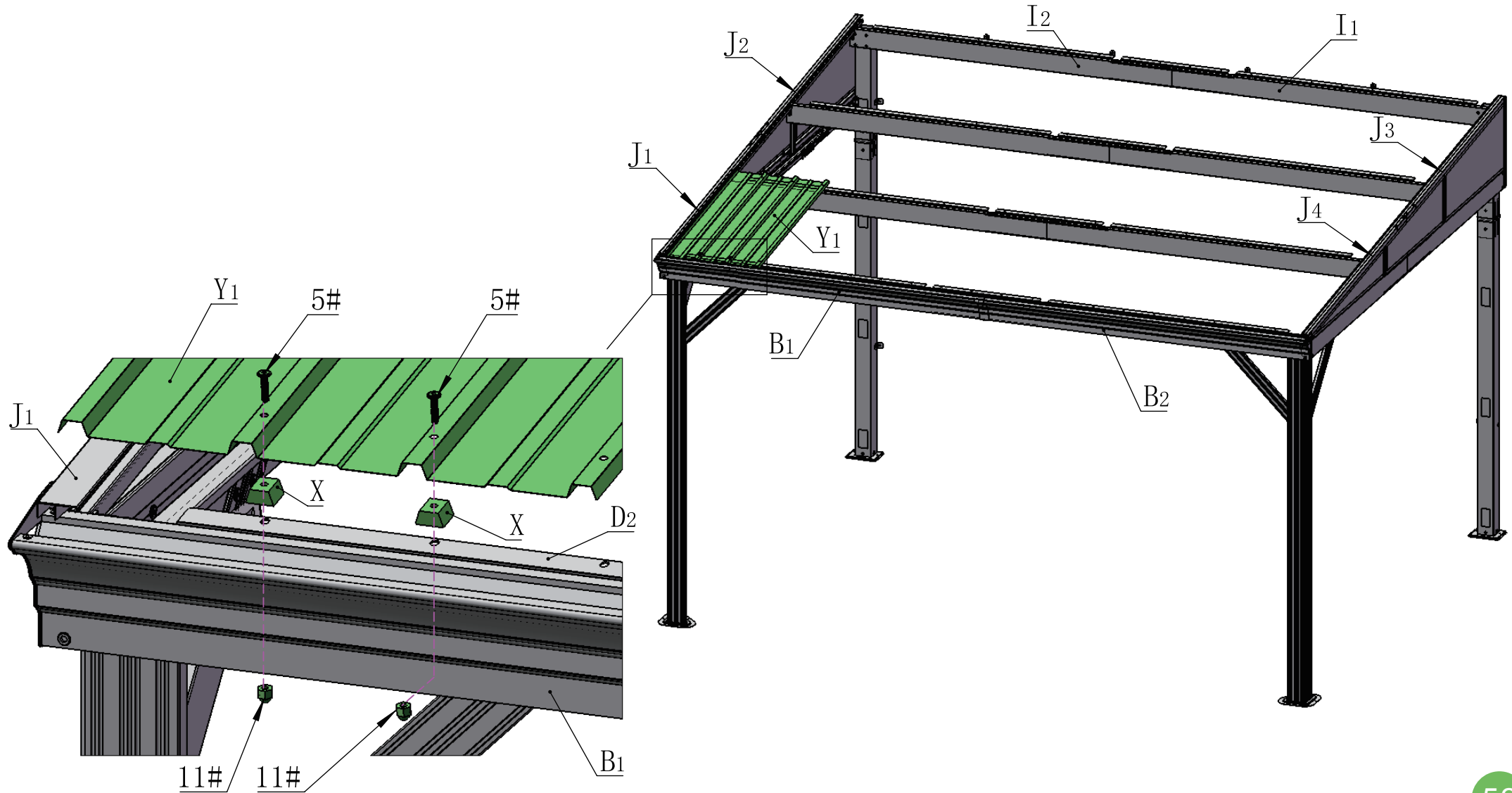
16#

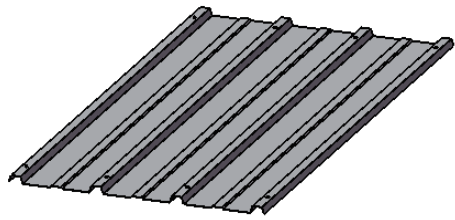
1X



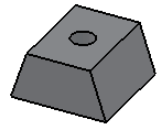
18#

1X

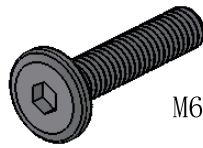




Y2 5X



X 15X

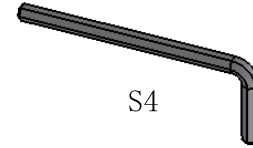


5#

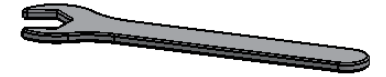
M6*28



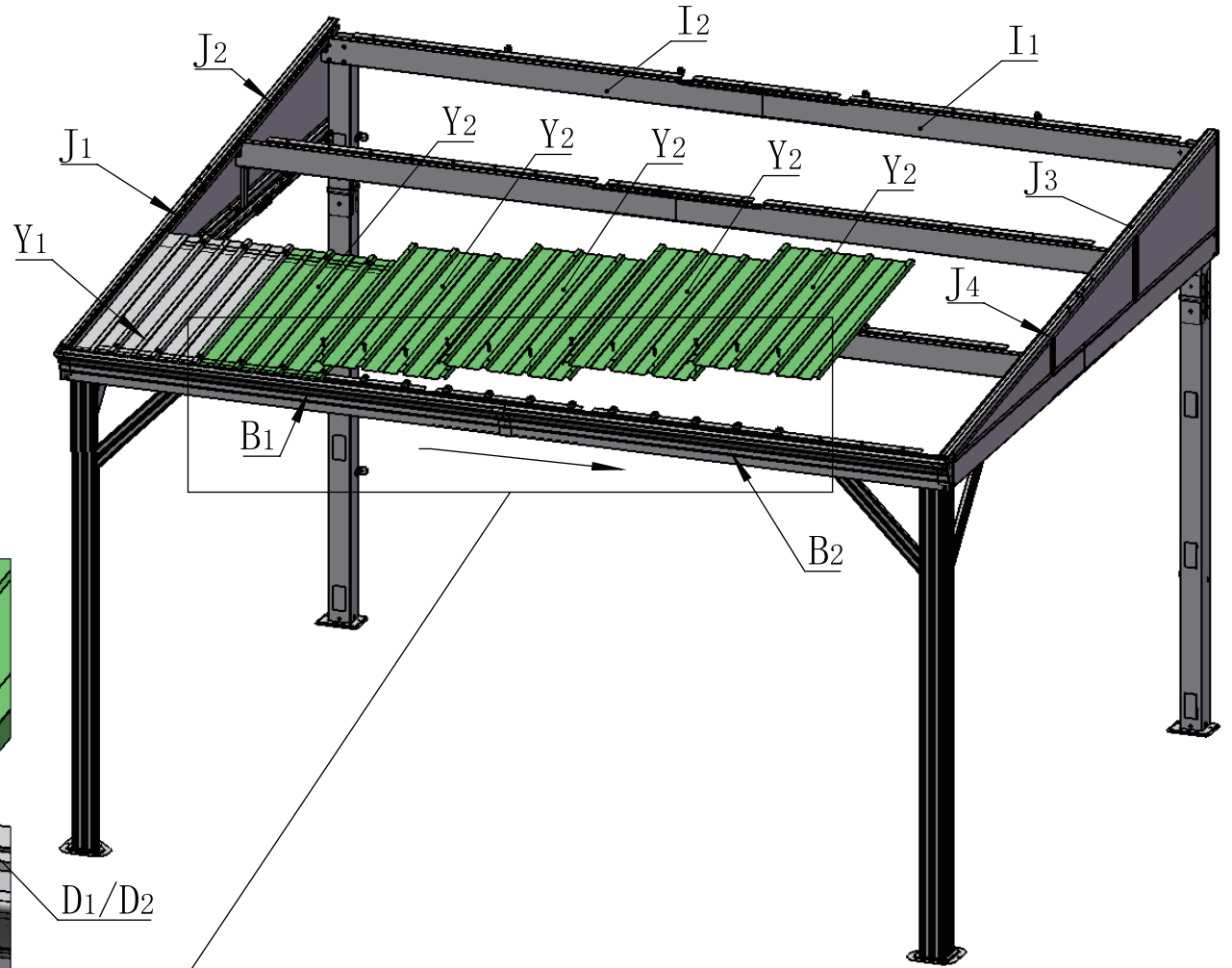
11#



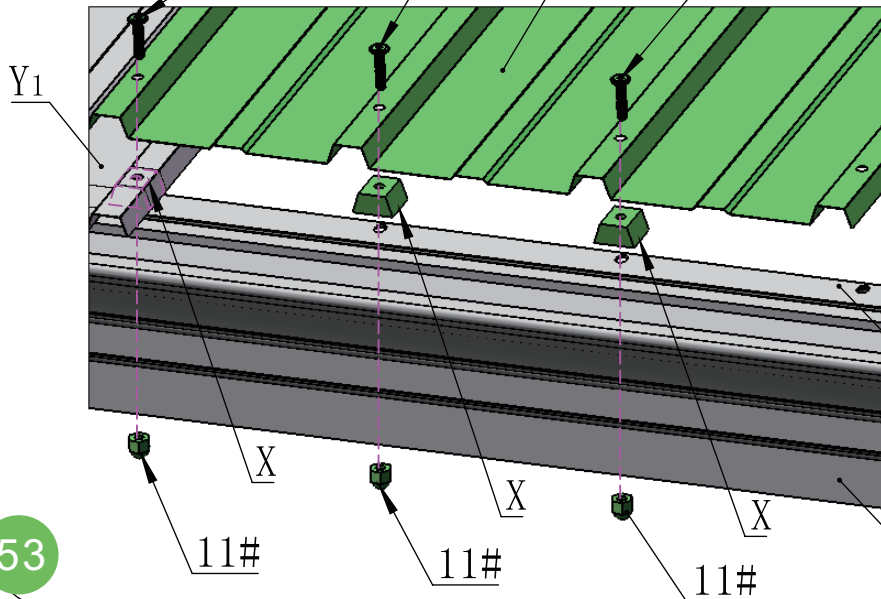
S4

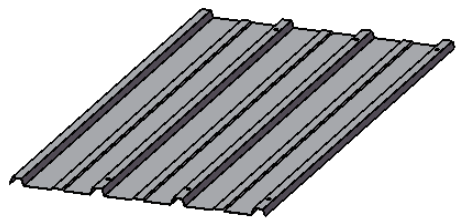


18# 1X

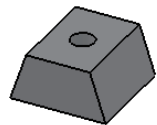


5X

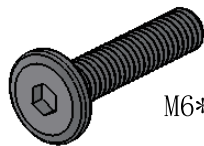




Y1 1X

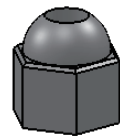


X 3X

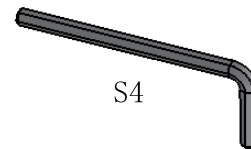


M6*28

5# 3X

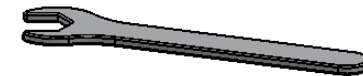


11# 3X

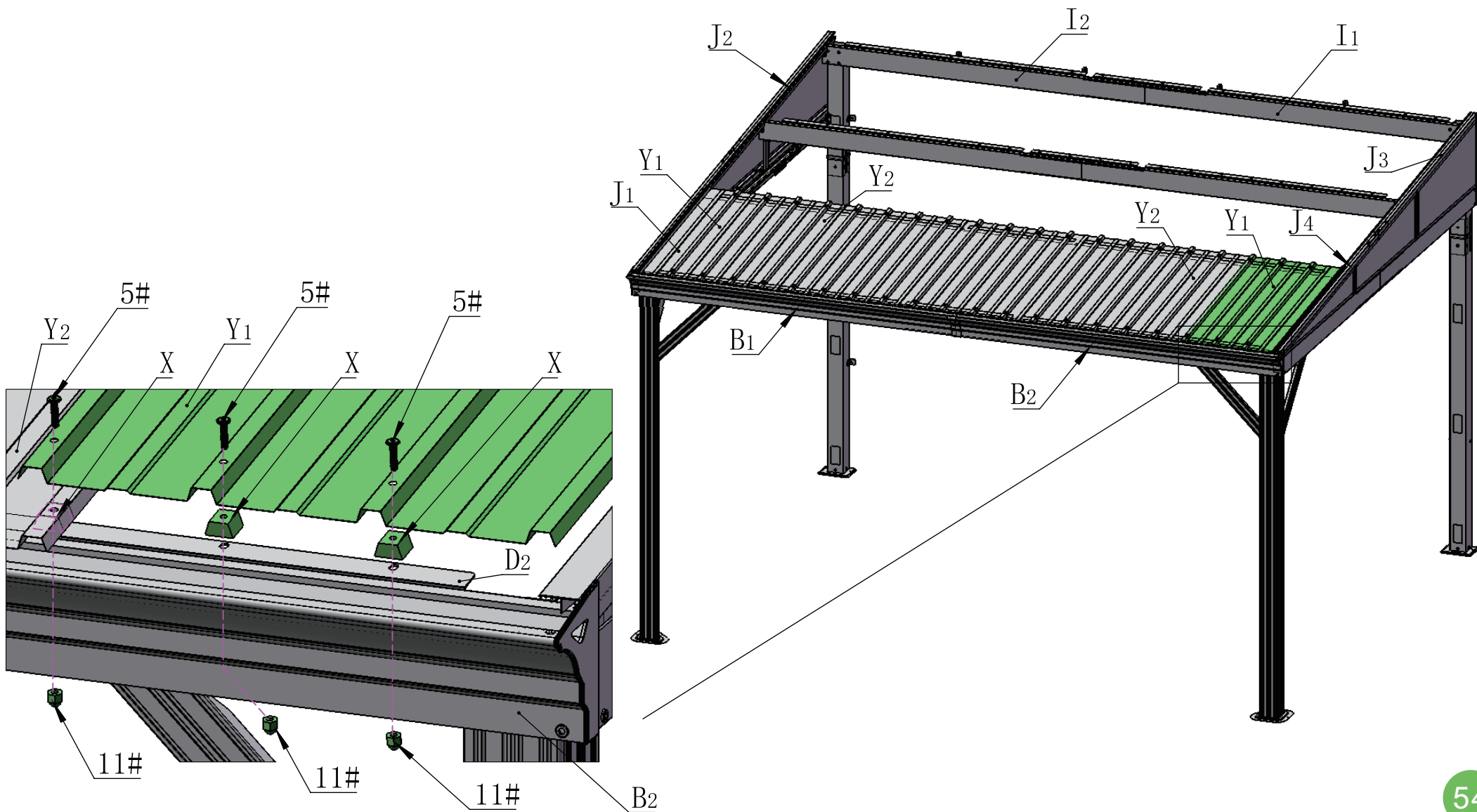


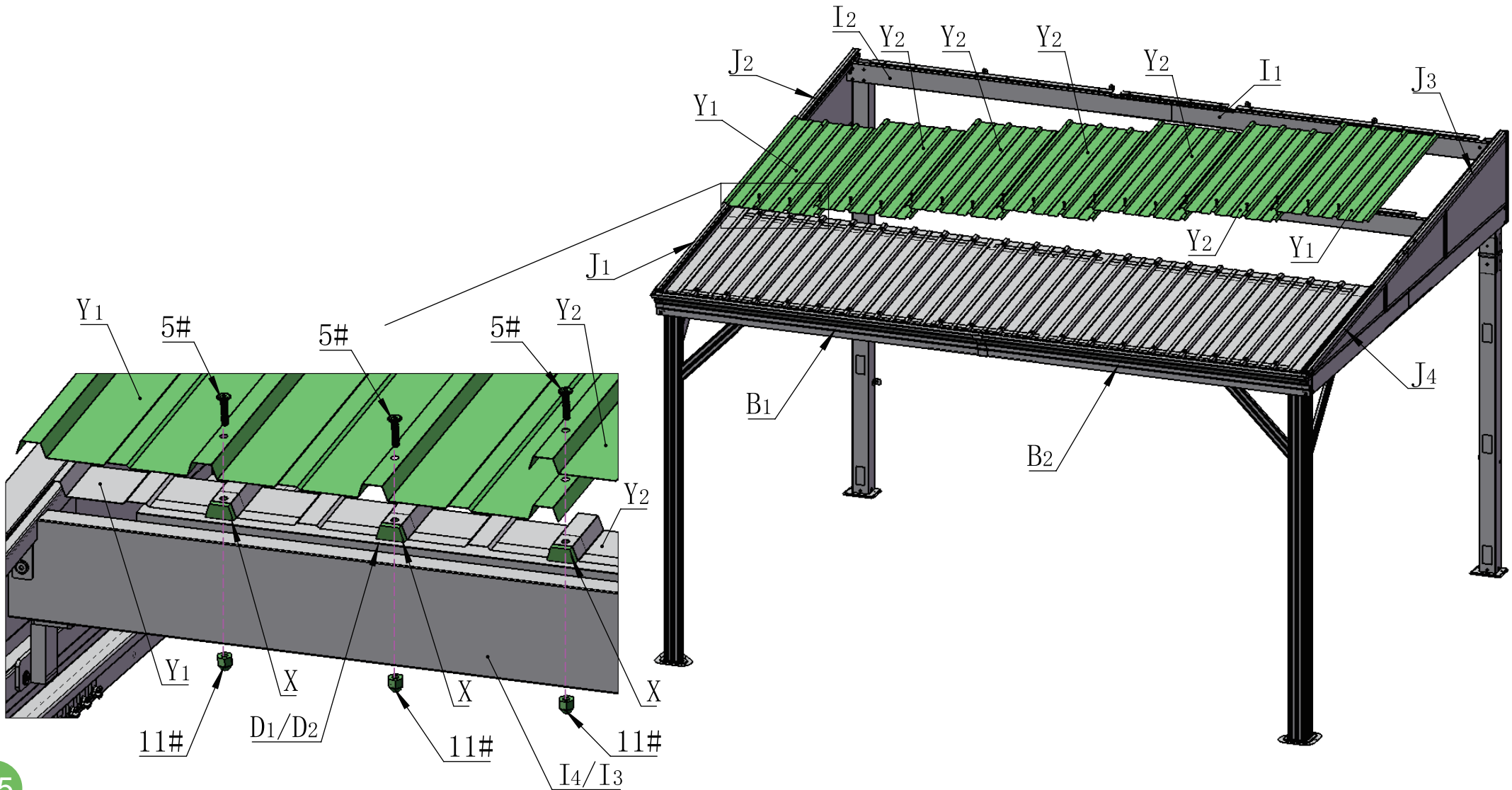
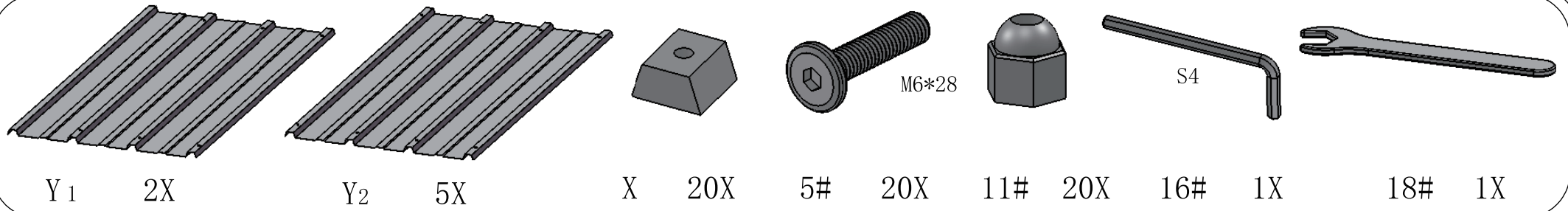
S4

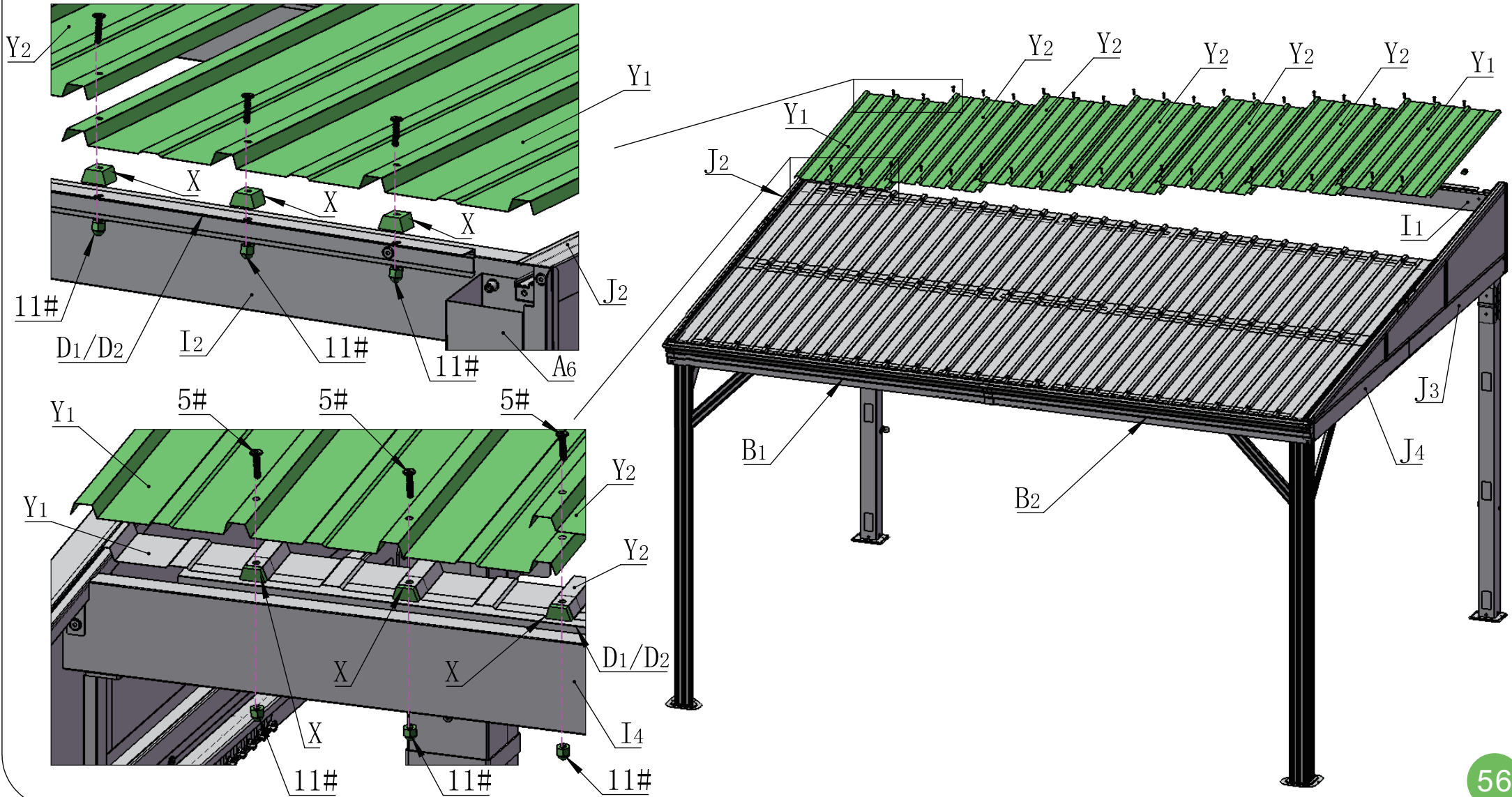
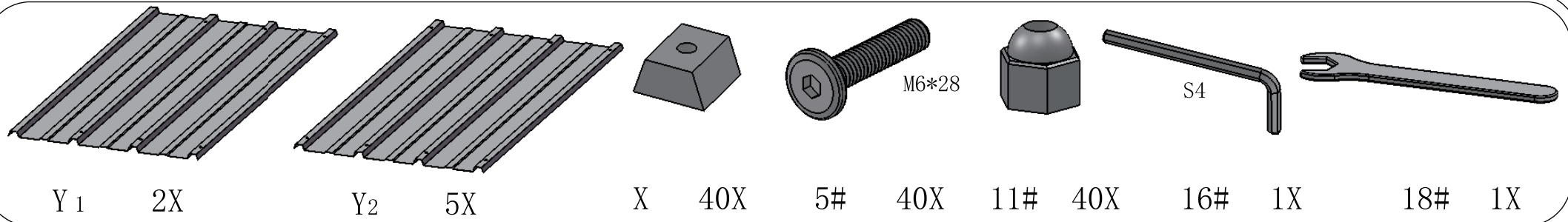
16# 1X

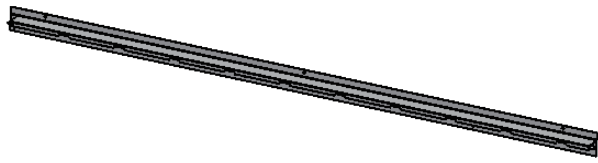


18# 1X

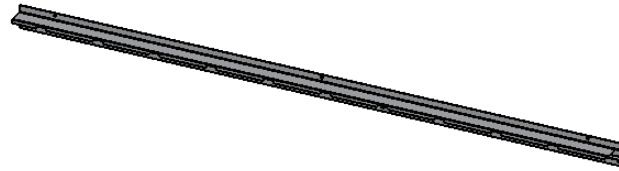




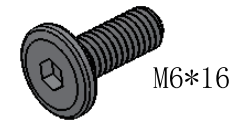




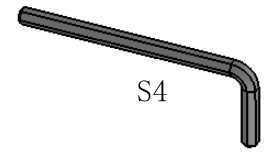
M1 1X



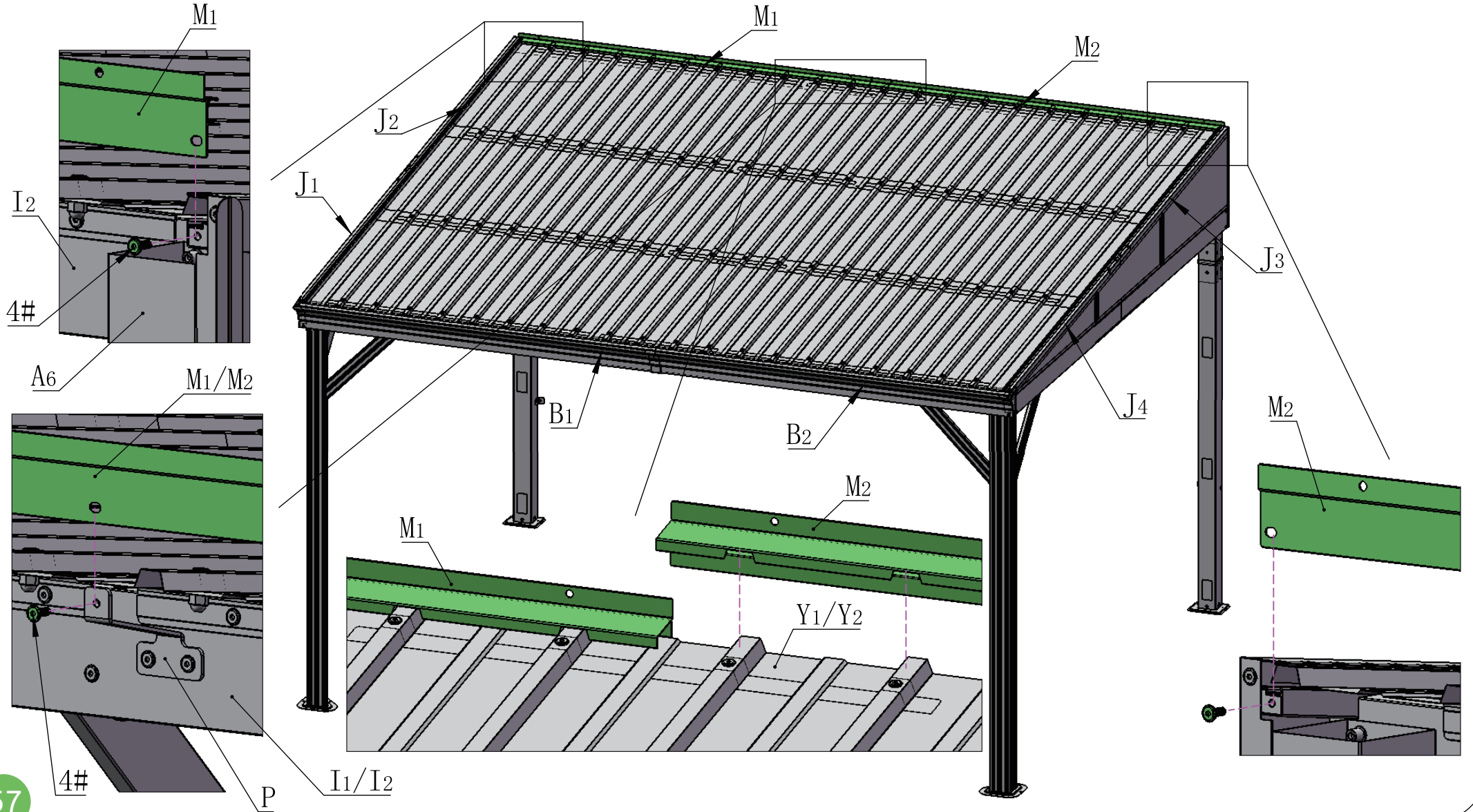
M2 1X

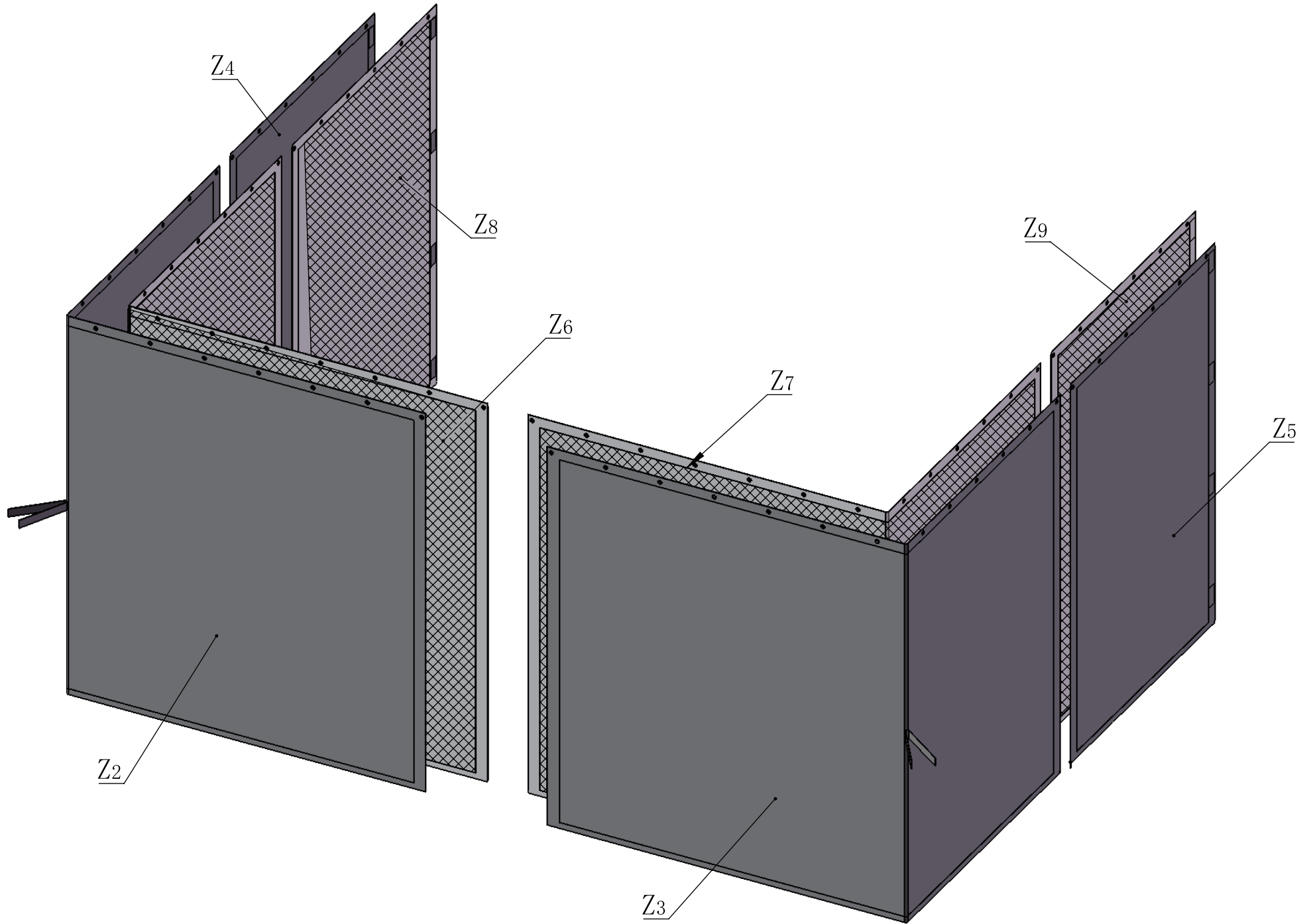


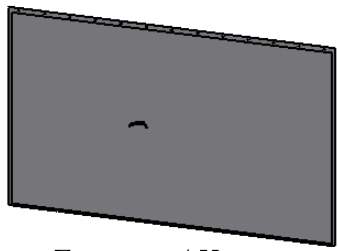
4# 6X



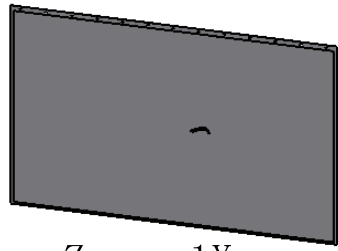
16# 1X



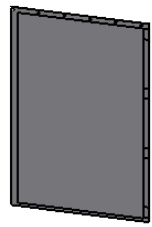




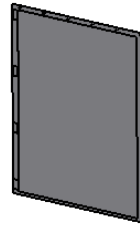
Z2 1X



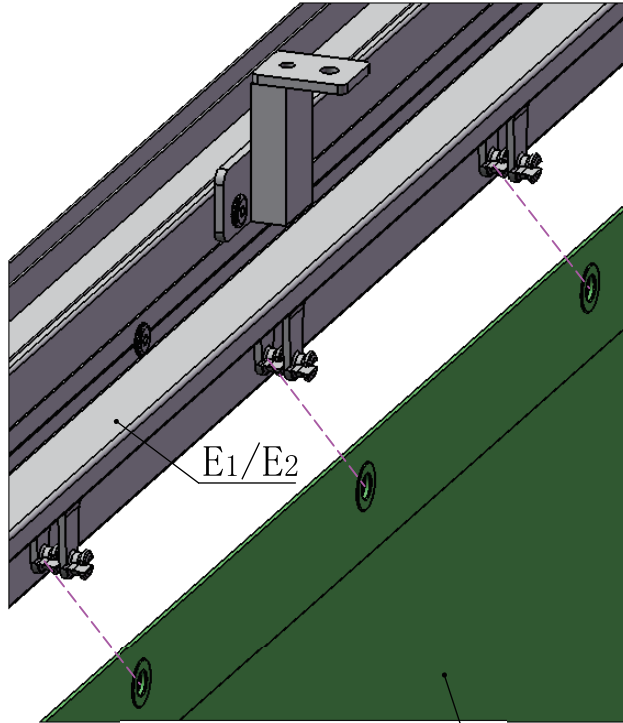
Z3 1X



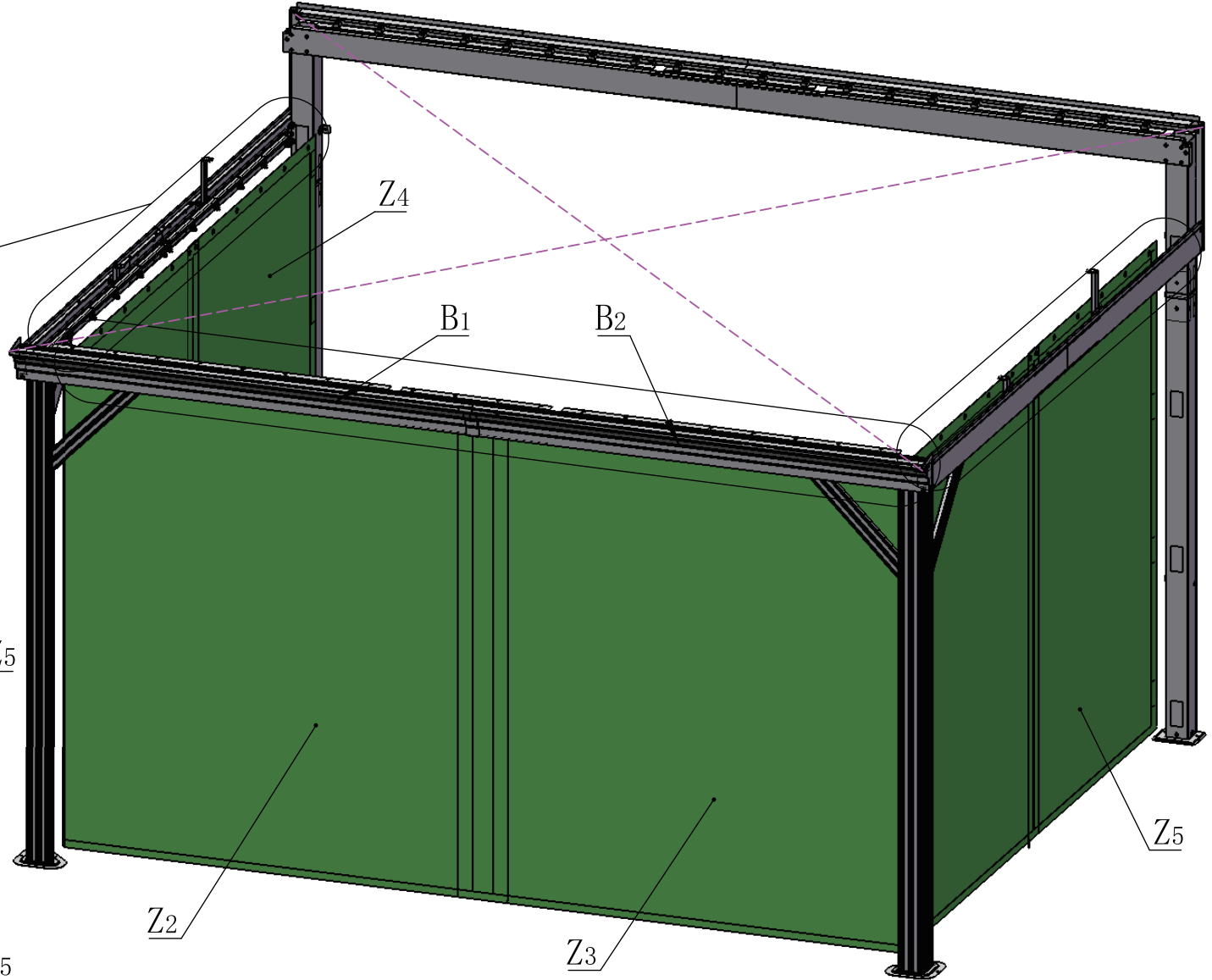
Z4 1X



Z5 1X



E1/E2



Z4

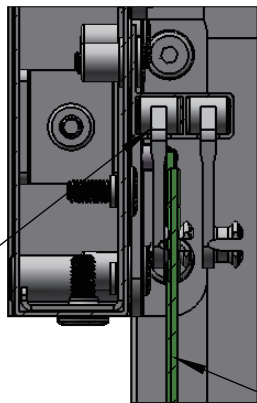
B1

B2

Z5

Z2

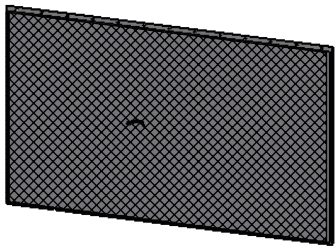
Z3



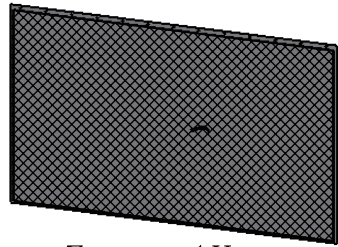
E1/E2

Z2/Z3/Z4/Z5

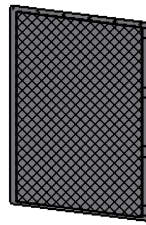
Z2/Z3/Z4/Z5



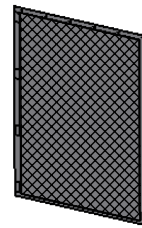
Z6 1X



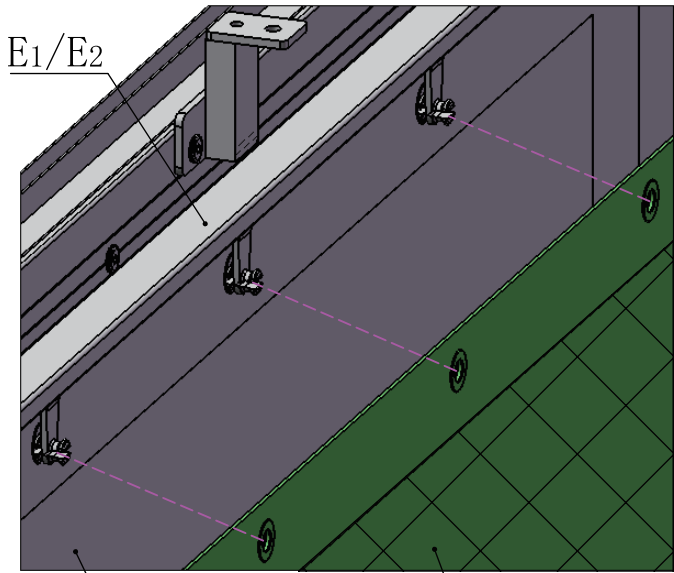
Z7 1X



Z8 1X



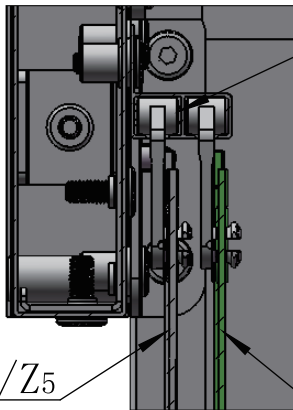
Z9 1X



E1/E2

Z2/Z3/Z4/Z5

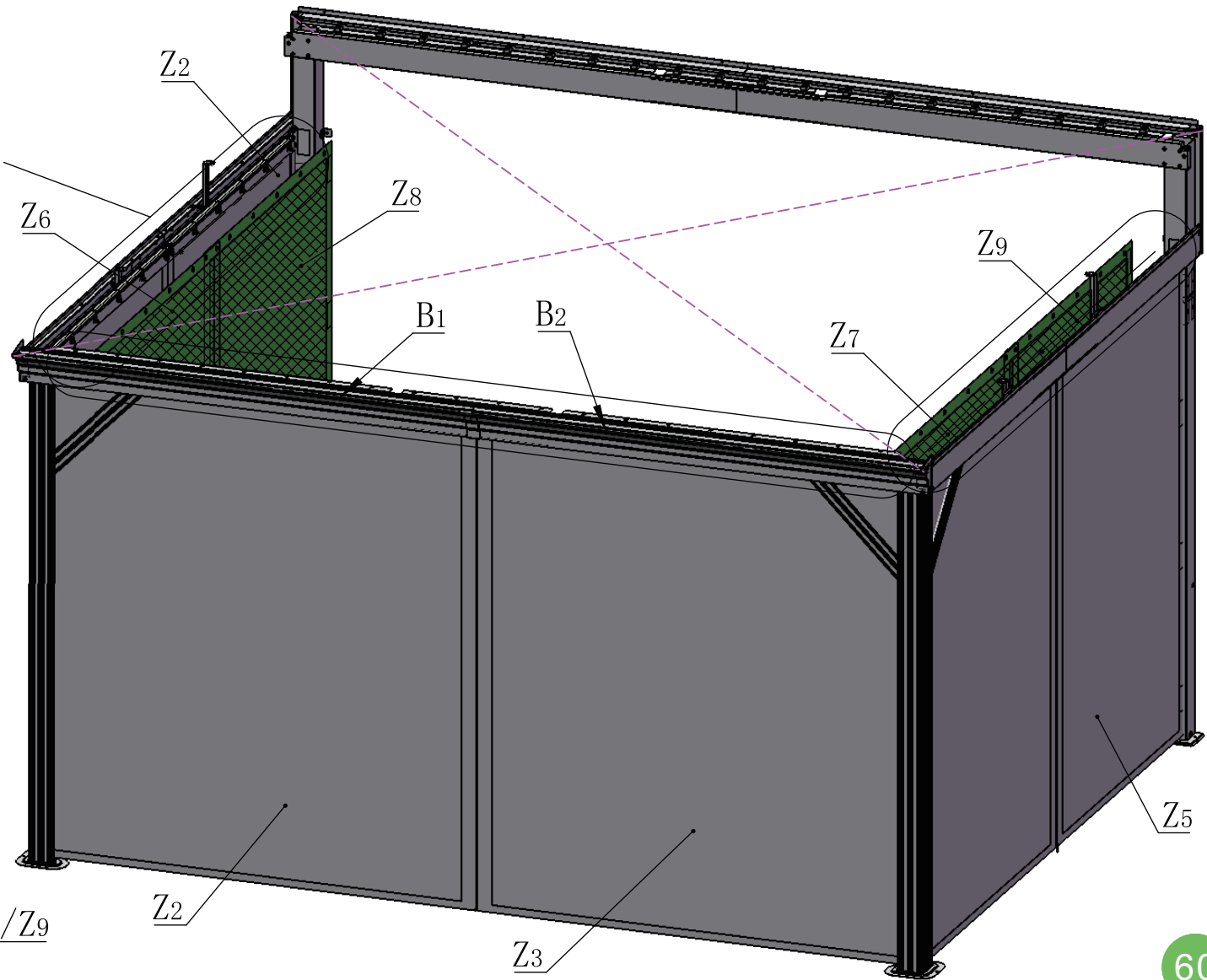
Z6/Z7/Z8/Z9



E1/E2

Z2/Z3/Z4/Z5

Z6/Z7/Z8/Z9



Z2

Z6

Z8

Z9

Z7

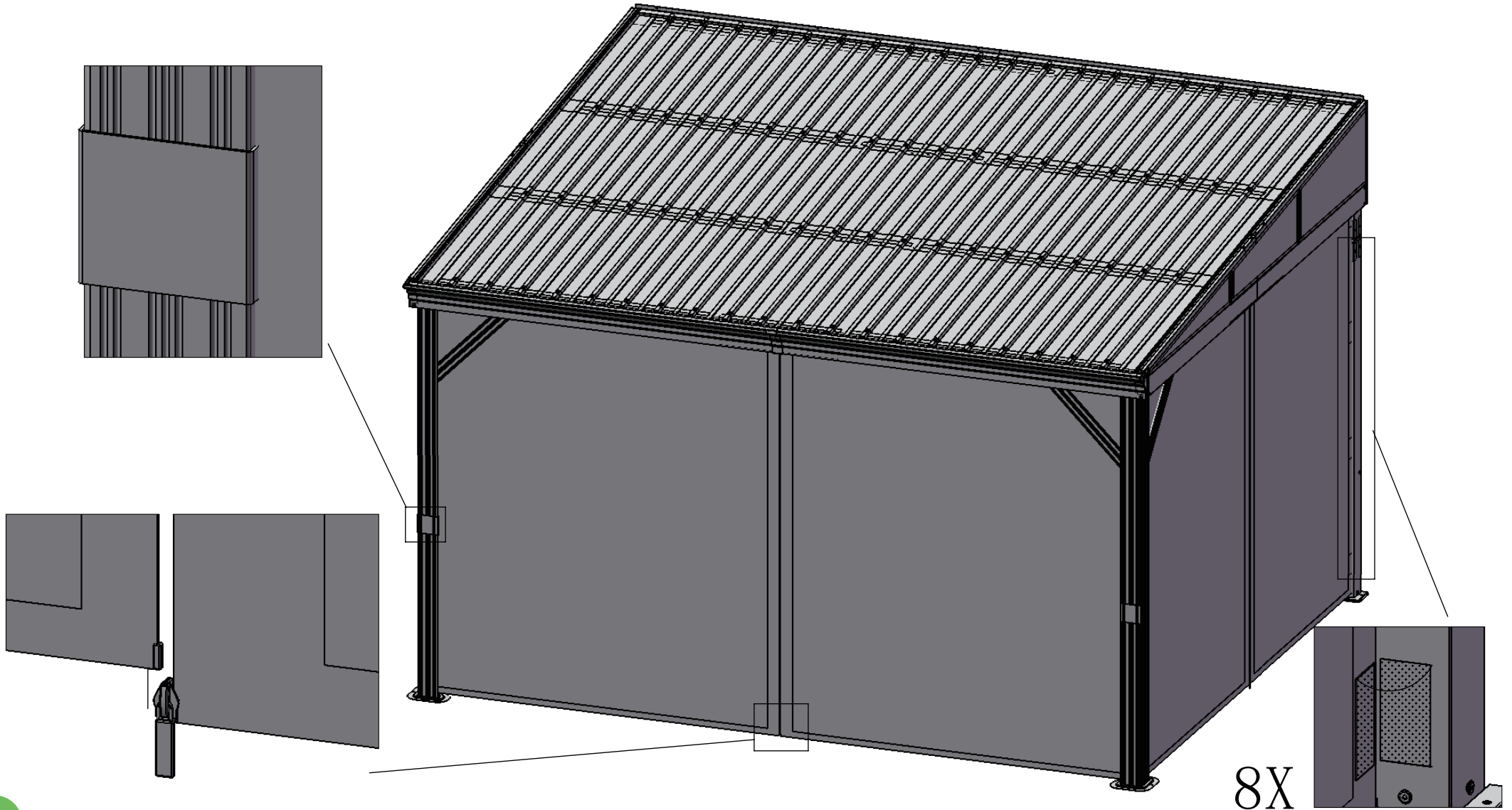
B1

B2

Z5

Z2

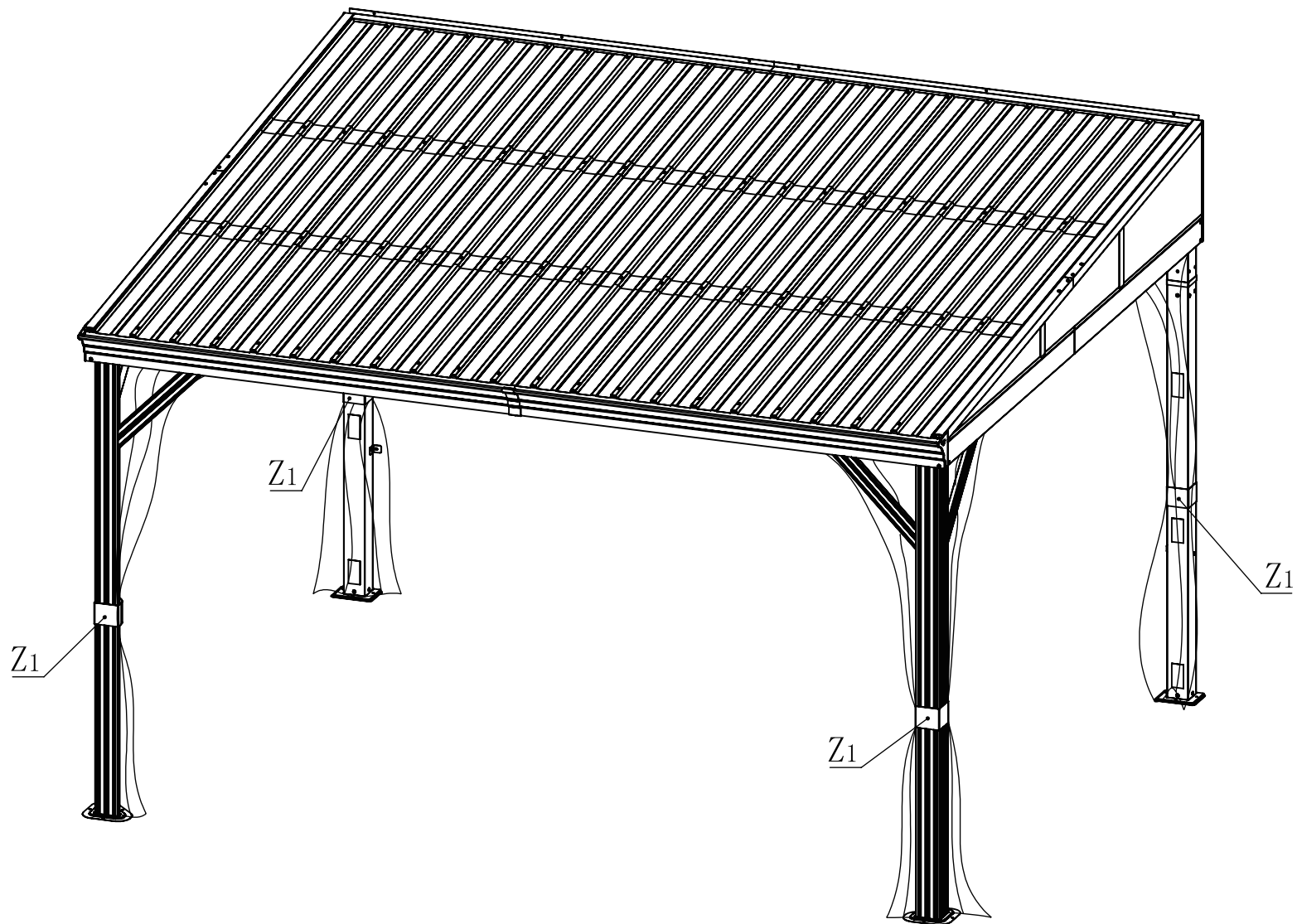
Z3



8X

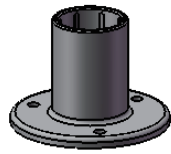


Z1 4X

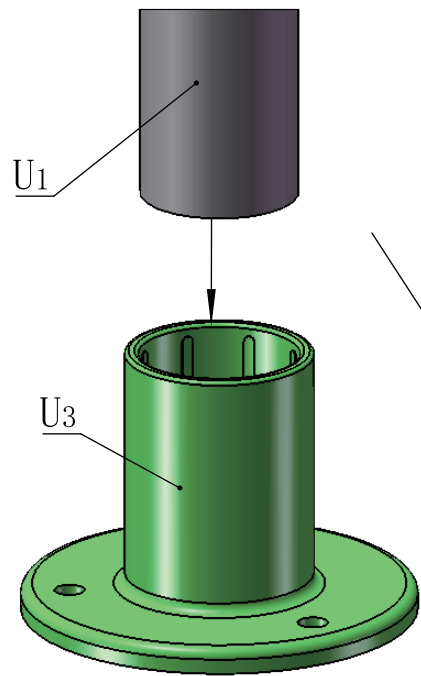




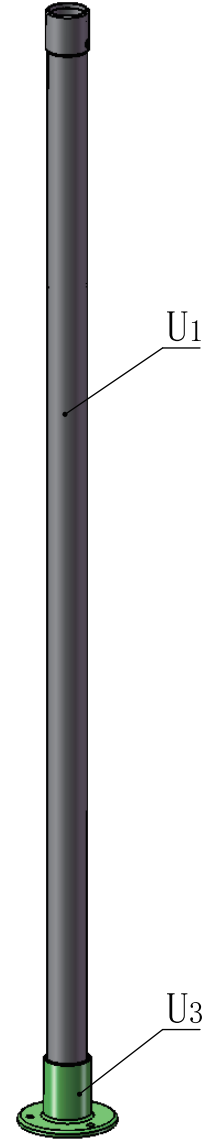
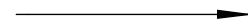
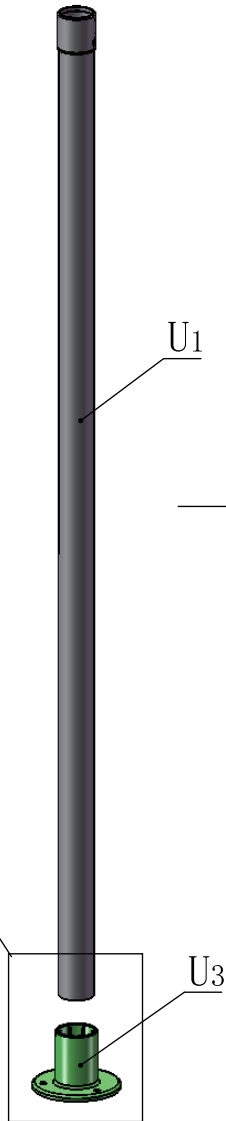
U₁ 2X



U₃ 2X

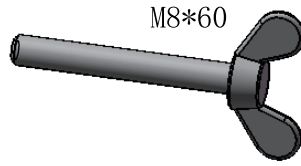


2X





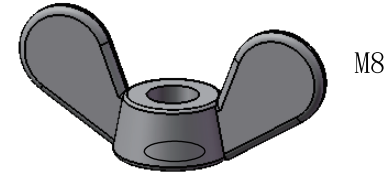
U₂ 2X



12# 2X

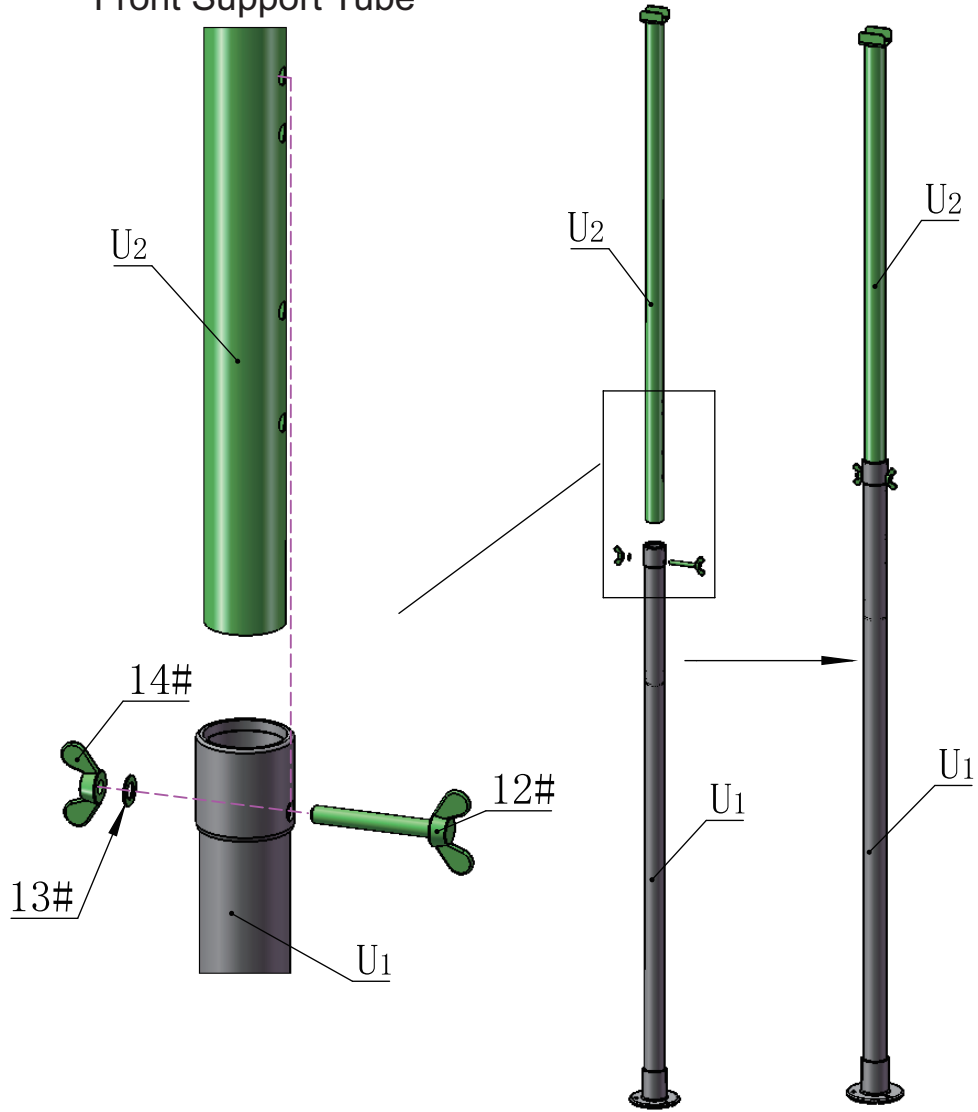


13# 2X

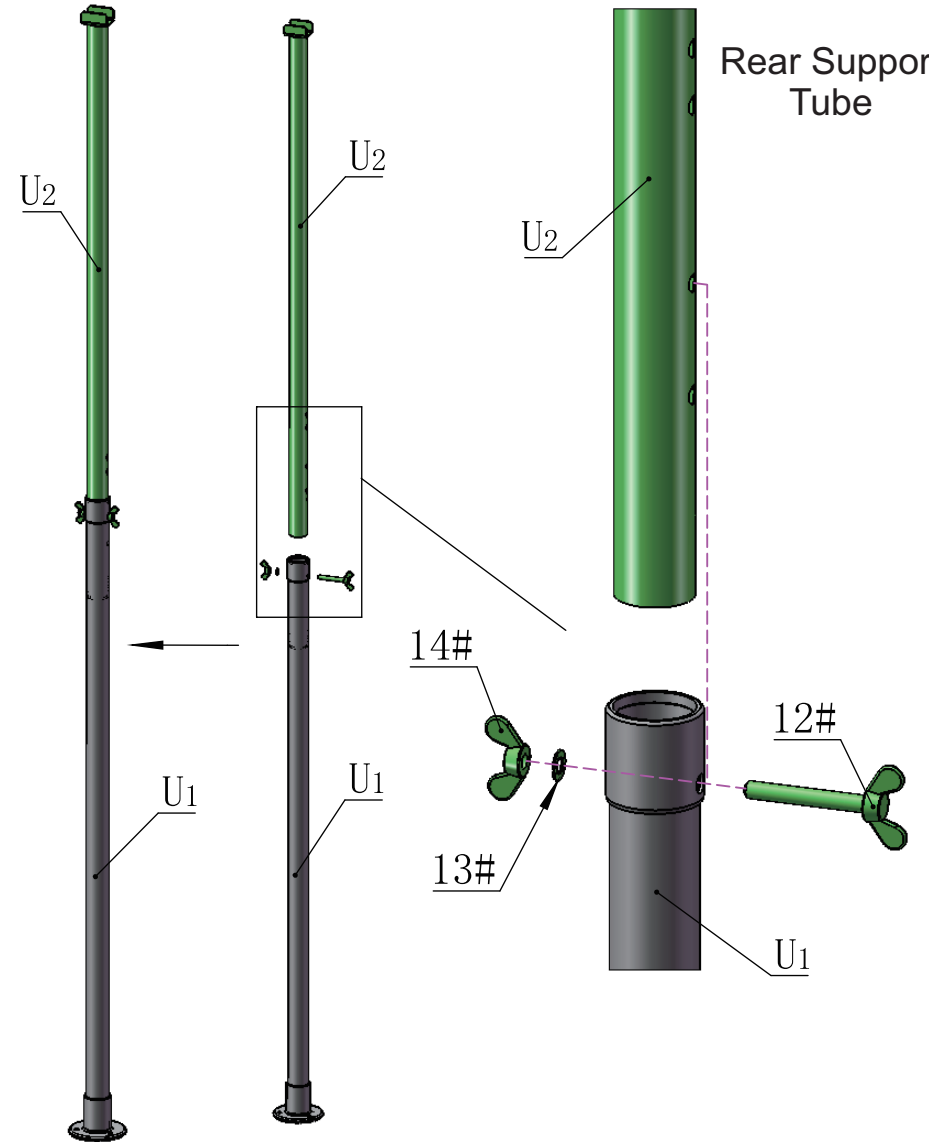


14# 2X

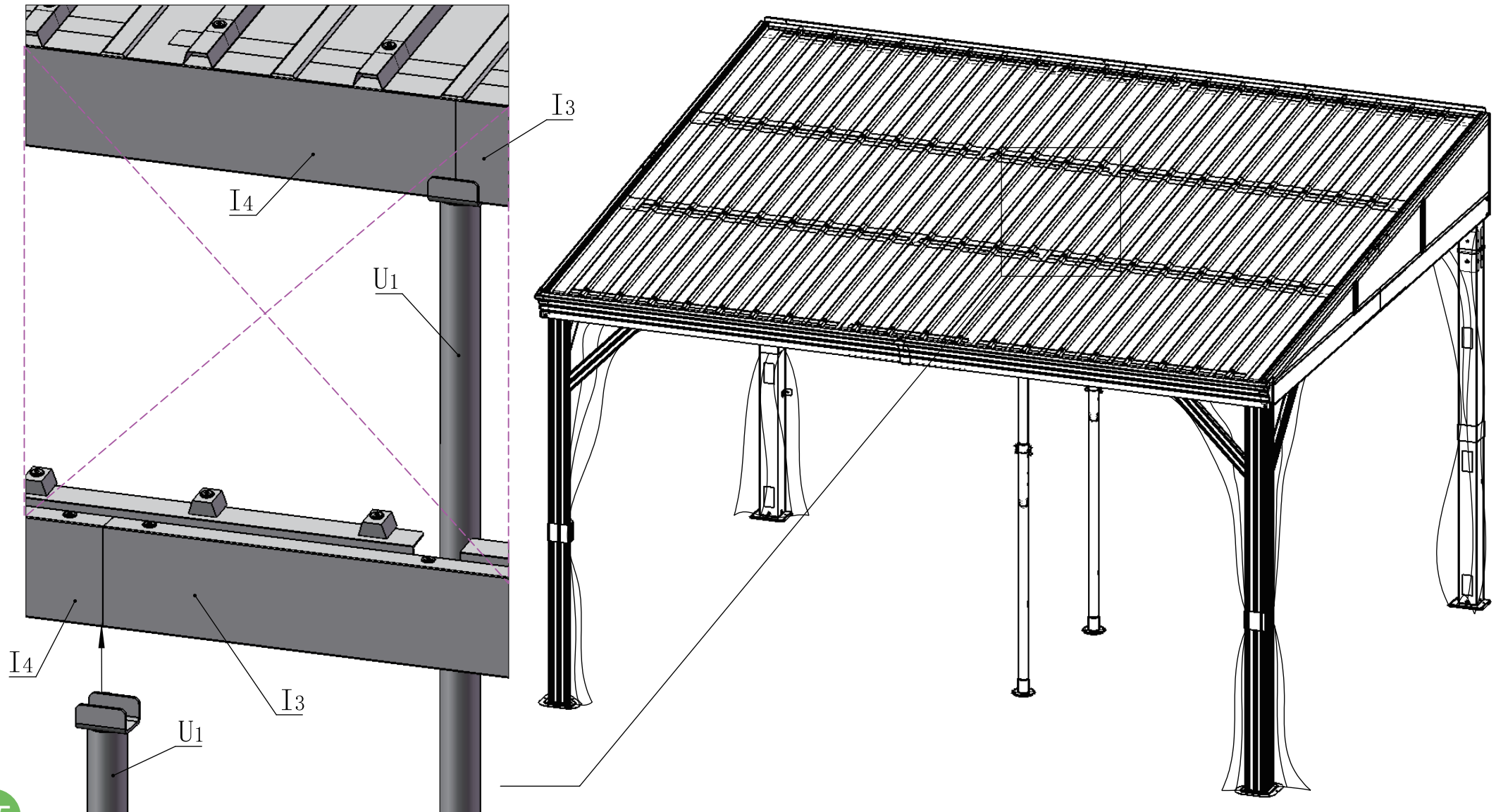
Front Support Tube

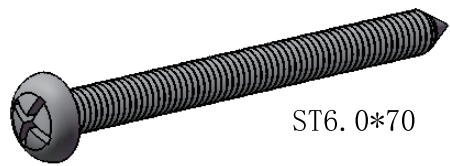


Rear Support Tube



⚠ The two support tubes can strengthen the weight capacity of the metal roof.
In bad weather, especially snowstorm, they are essentially needed to prevent
the roof from collapsing under heavy snow.
In daily life, you can put them away.

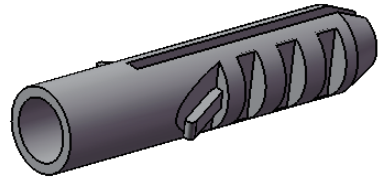




ST6.0*70

9#

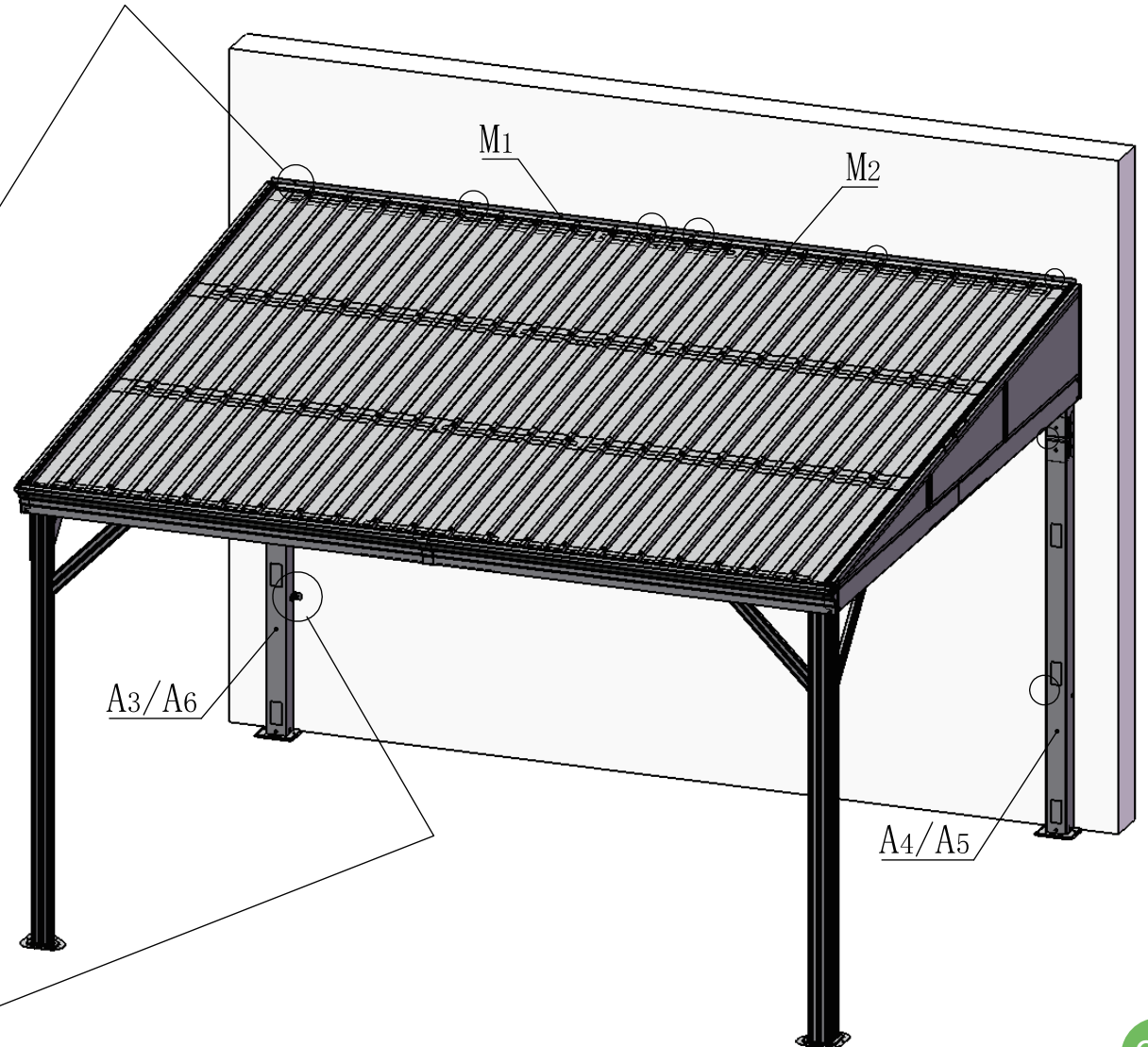
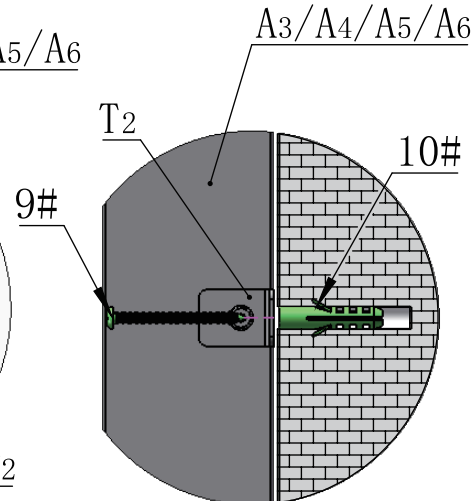
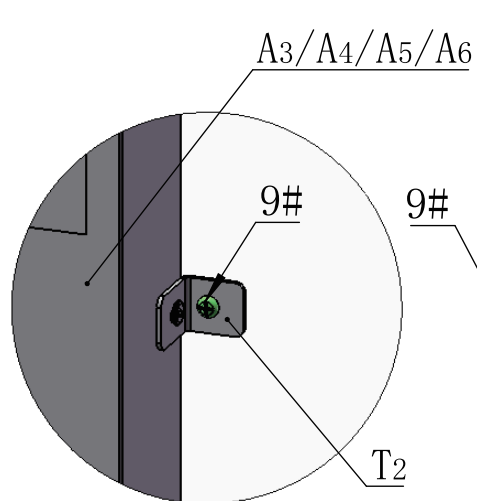
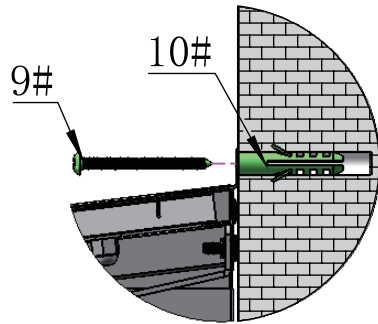
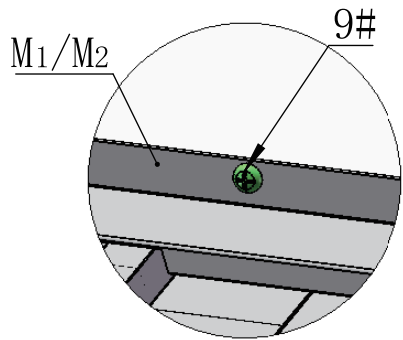
10X



10#

10X

▲ Install this step if you need fix the canopy to the wall (you need to drill holes into the wall). Otherwise please skip this step.





**Call us First !
DO NOT RETURN TO STORE**

For immediate help with assembly or product information

call our number:

888-328-5111

Or E-mail:

service@mondawe.com

Our staff is ready to provide assistance

M-F 9:00 AM to 5:00 PM EST