

# Assembly and Operation Guide

---

## SAFETY PRECAUTIONS:

- It's not recommended to use in bad weather condition. Please close the umbrella when you don't use in bad weather so that the umbrella will have a longer performance.
- When adjusting the umbrella, make sure that no person(s) or item(s) are close to the umbrella. This is important to prevent injury or material damage.

## CARE AND MAINTENANCE:

- When umbrella is not in use, close and cover umbrella with a protective cover (not included).
- Allow a wet canopy to dry while in open position.
- If necessary, clean the fabric with lukewarm water, mild detergent, and a sponge.
- Wipe sliding marks on the aluminum poles with a damp cloth.

## Winter Storage:

- Store in a dry, protective place.
- Any visible defects must be repaired by a professional.

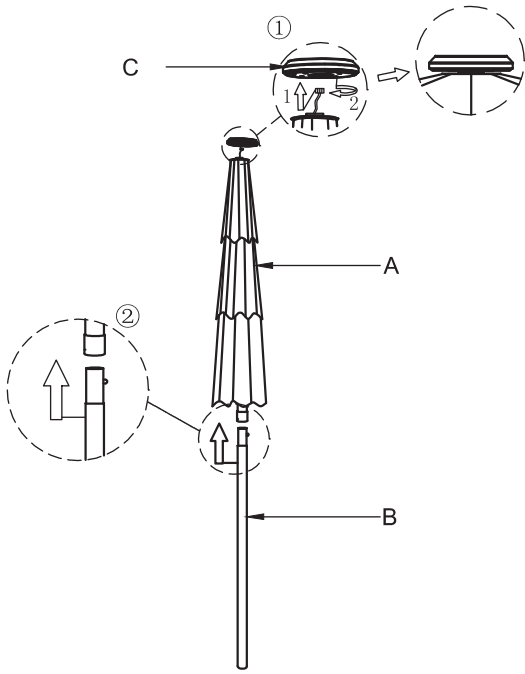
## After the Winter:

- Areas subject to turning and sliding can be treated with a non-staining lubricant spray (silicone-based).
- Check the condition and function of the umbrella. Any defects must be repaired by a professional.
- The first time to open the umbrella before you need to first reason under the umbrella cloth umbrella bone
- Please can not untie the knot of the umbrella rope

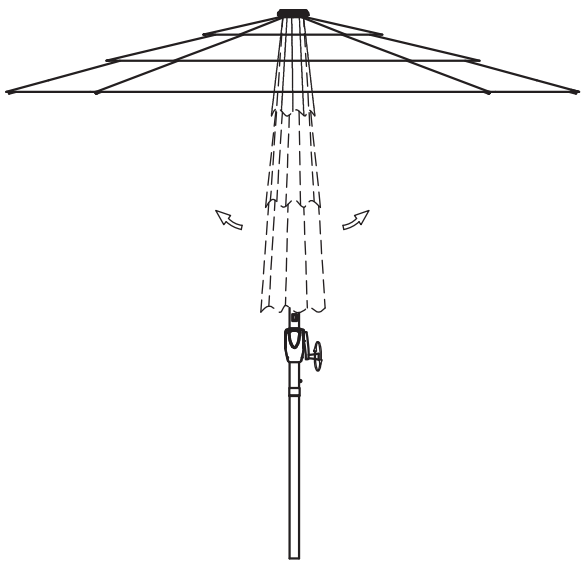
Customer Service :  
contactus24service@gmail.com  
Phone : 888-257-3857

A	1		B	1		C	1	
---	---	--	---	---	--	---	---	--

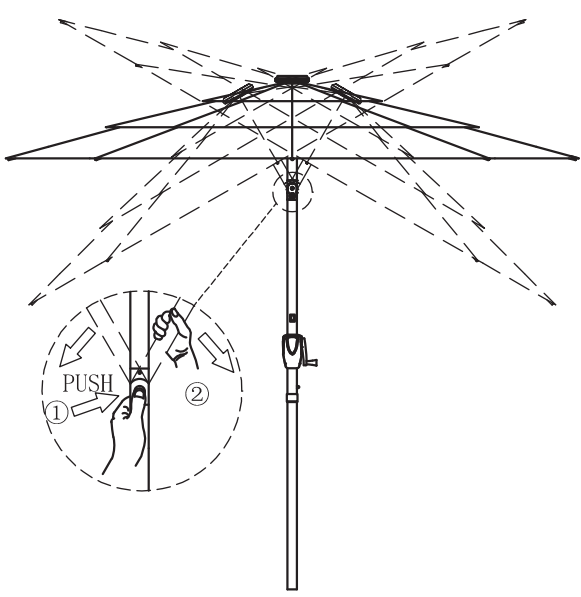
01:



02:



03:



04:

