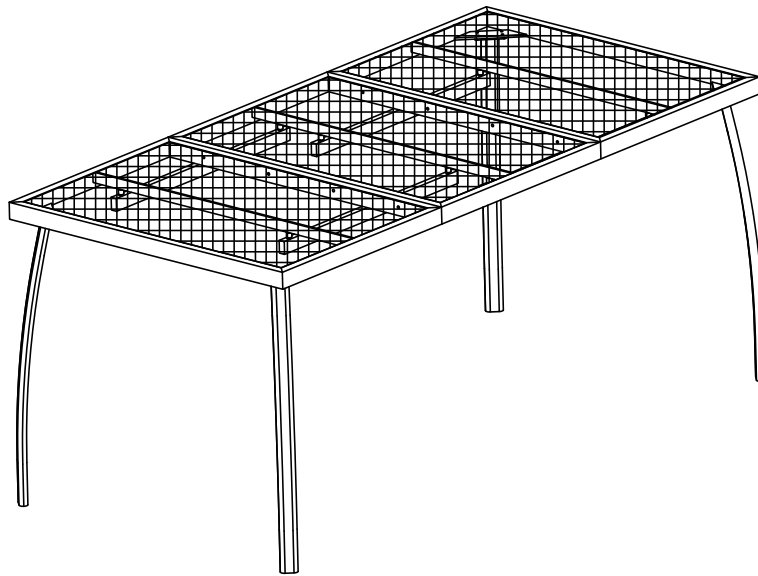


USER MANUAL

Guide de l'utilisateur

SKU:ODSL65TW02BL

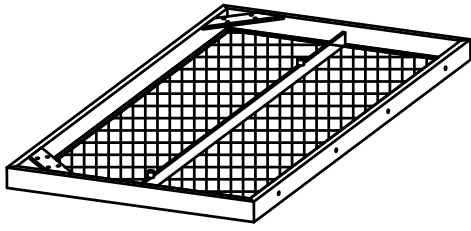


Contact Number: (951) 213-4742
E-mail: Contactus24service@gmail.com

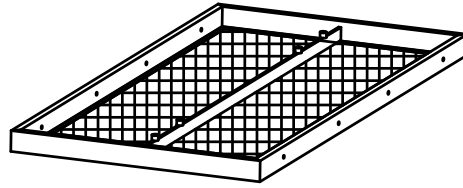
1. Fix all the screws in place, without tightening them first.
2. After confirming the position of all the screws, tighten the screws and nuts.
1. Fixez toutes les vis en place, sans les serrer au préalable.
2. Après avoir confirmé la position de toutes les vis, serrez les vis et les écrous.

ASSEMBLY INSTRUCTION

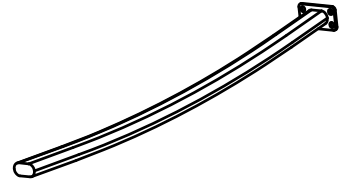
A/2PCS



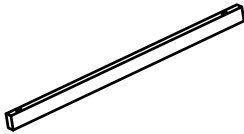
B/1PCS



C/4PCS



D/4PCS



E/16PCS



M6*15

F/16PCS



M6*40

G/40PCS



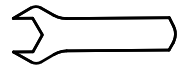
H/8PCS



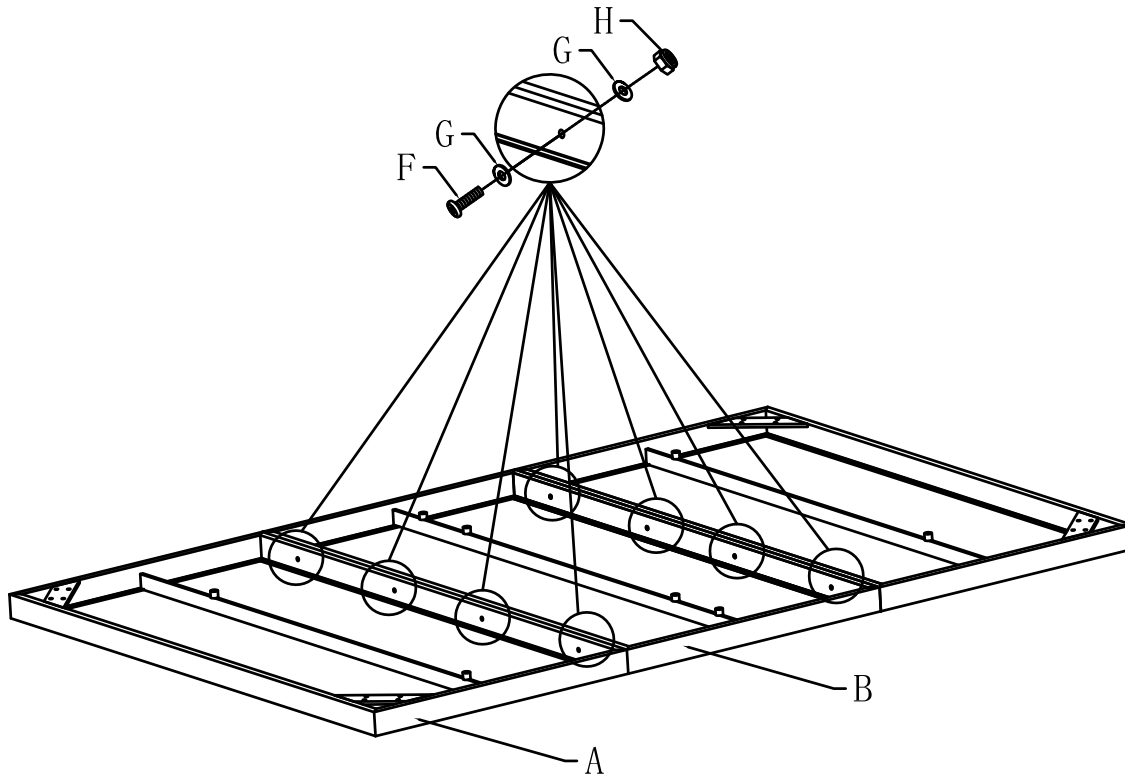
I/1PCS



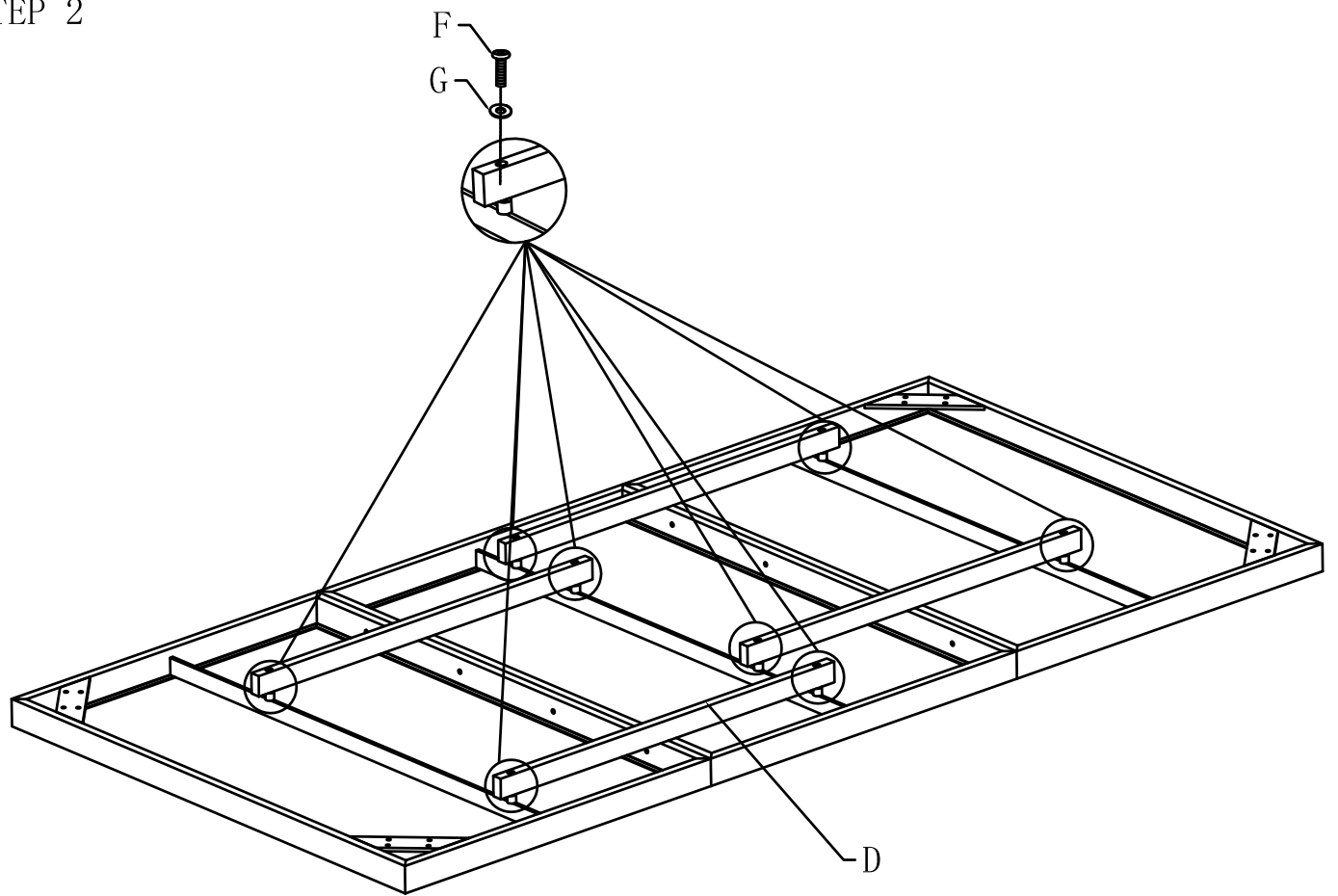
J/1PCS



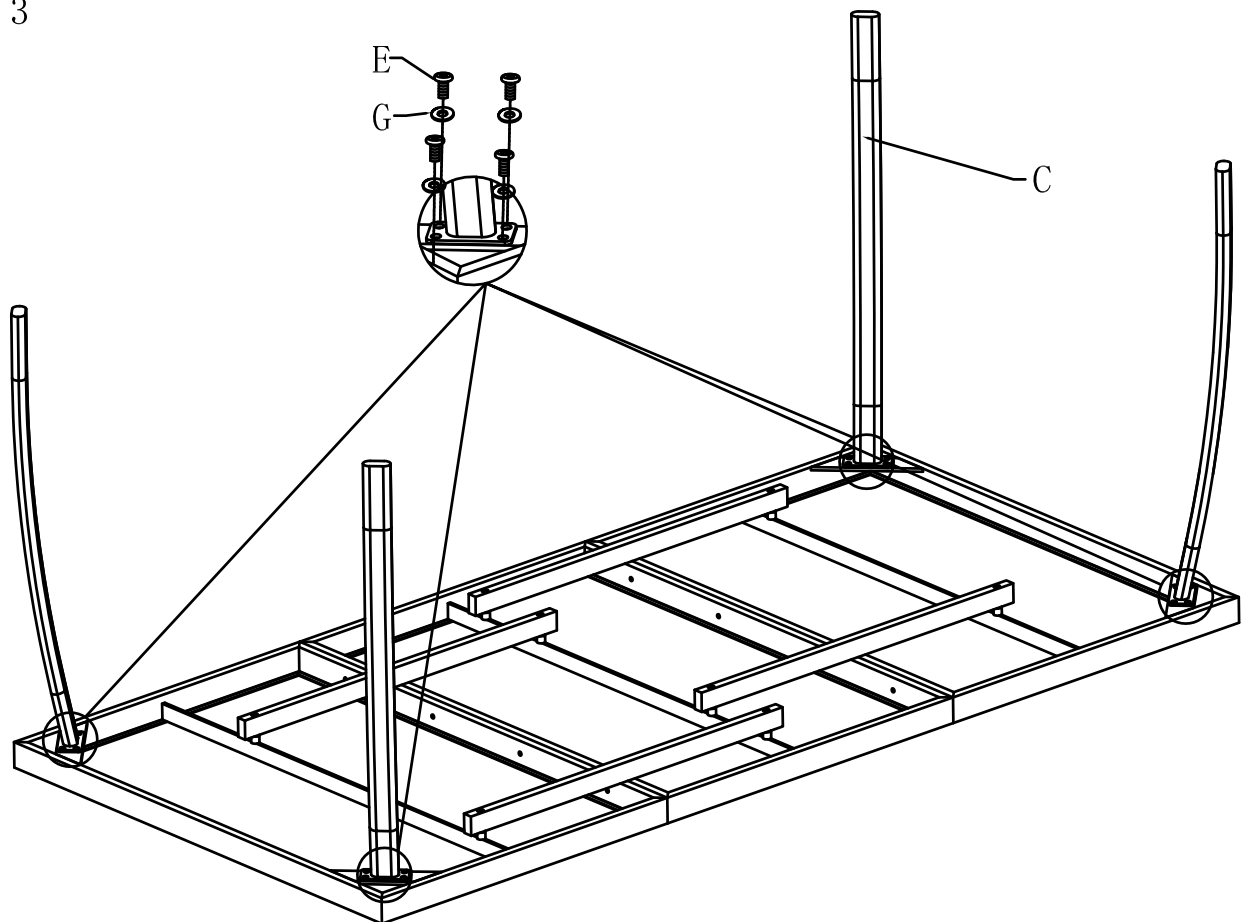
STEP 1

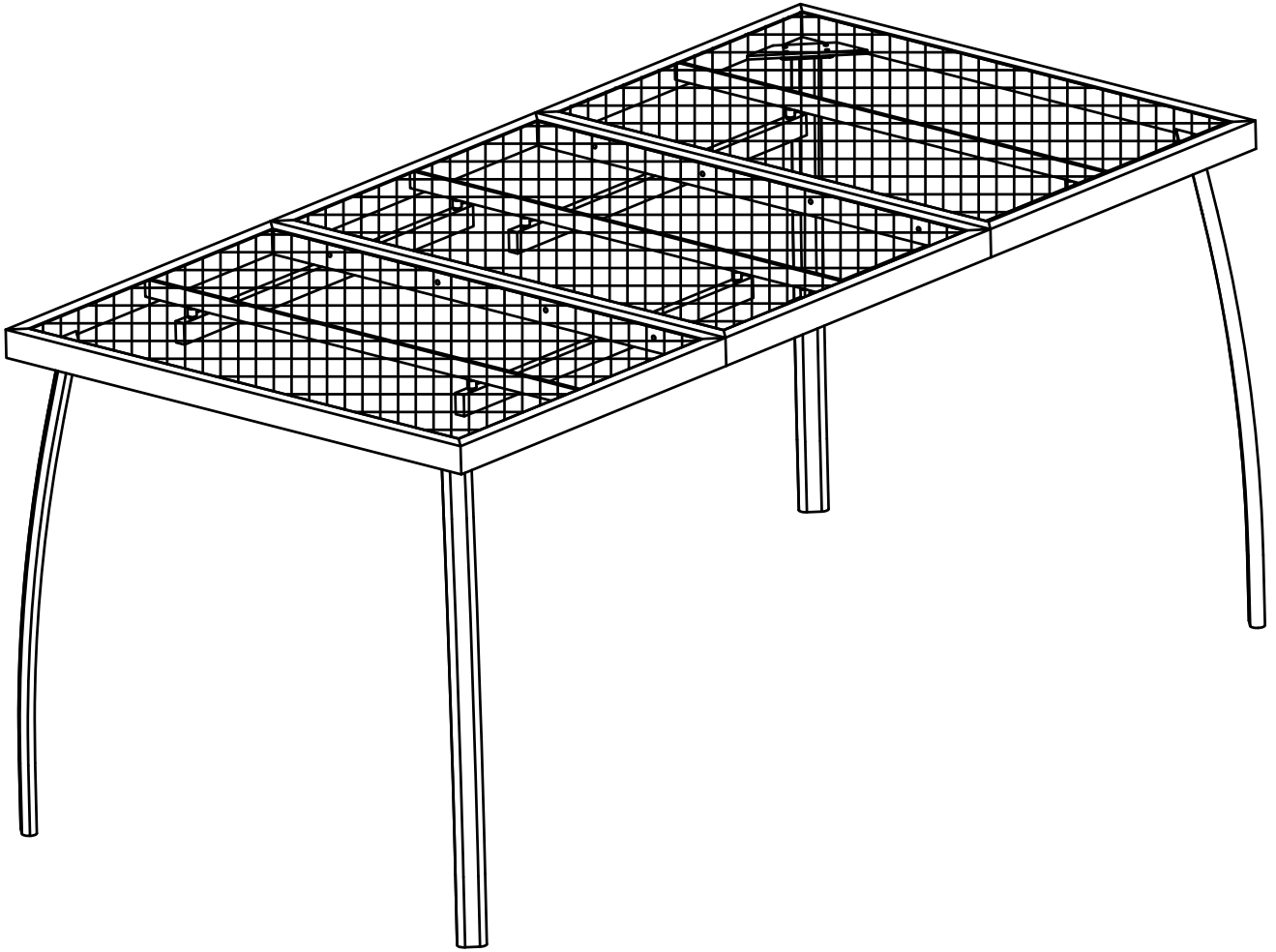


STEP 2



STEP 3







Call us First !
DO NOT RETURN TO STORE

For immediate help with assembly or product information

call our number:

(951) 213-4742

Or E-mail:

Contactus24service@gmail.com

Our staff is ready to provide assistance

M-F 9:00 AM to 5:00 PM EST