

# INSTRUCTION MANUAL

---

3-Seater Outdoor Swing  
With Canopy

## ! NOTICE

- Please do not exceed the weight limitations of this item.
- Do not stand on or use any part of this item as a step ladder.
- Firmly secure all bolts, screws and knobs before use.
- Reconfirm that all bolts, screws, and knobs are secure every 90 days.
- Fasten screws loosely during initial assembly. Do not firmly tighten the screws until the item is completely assembled.
- Be aware that some parts are heavy and have sharp edges.
- If any parts are missing, broken, damaged, or worn, stop using this product until repairs are made and/or factory replacement parts are installed.
- Do not use this item in a way inconsistent with the manufacturer's instructions as this could void the product warranty.

## TOOLS REQUIRED



ALLEN WRENCH  
(PROVIDED)



WRENCH  
(PROVIDED)



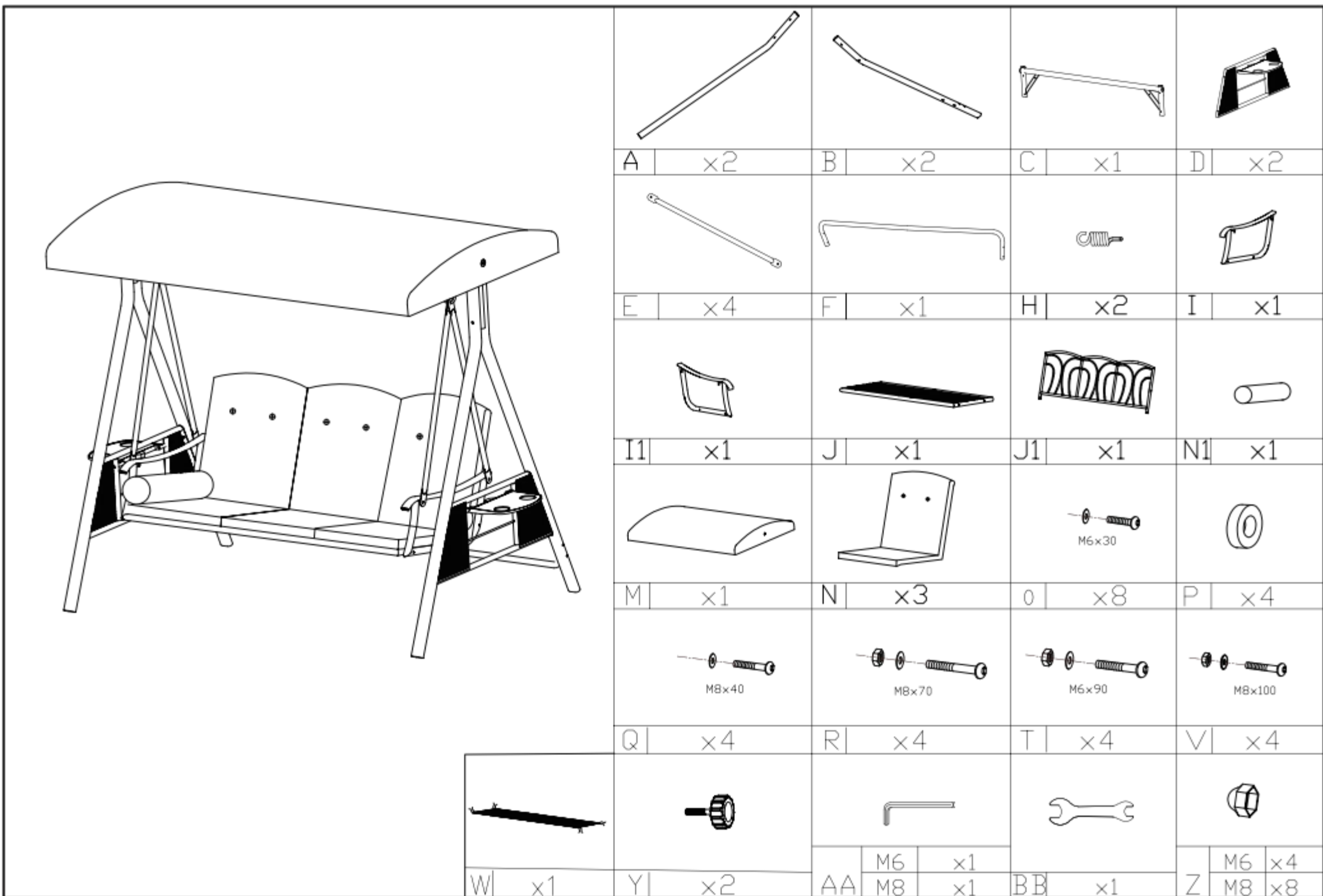
700 LBS  
CAPACITY



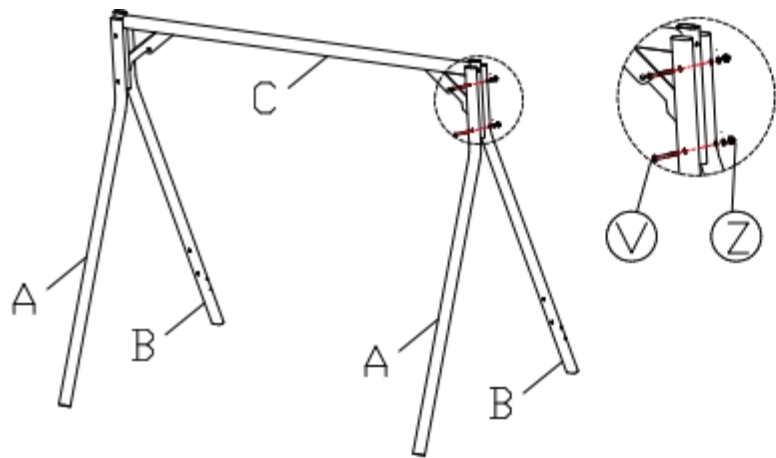
2 PERSON  
ASSEMBLY



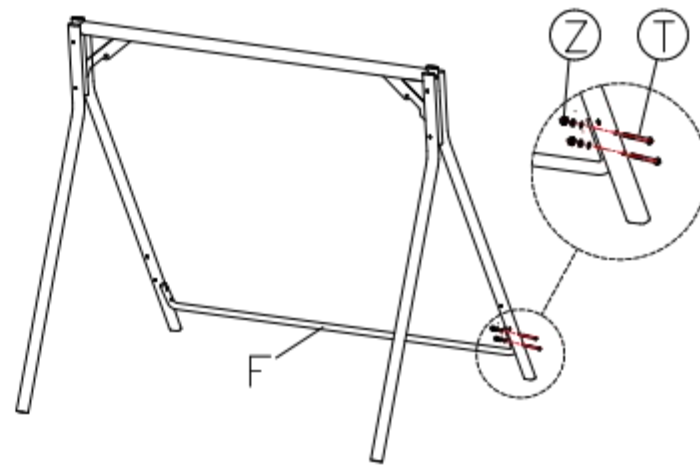
UP TO 45 MIN.  
ASSEMBLY



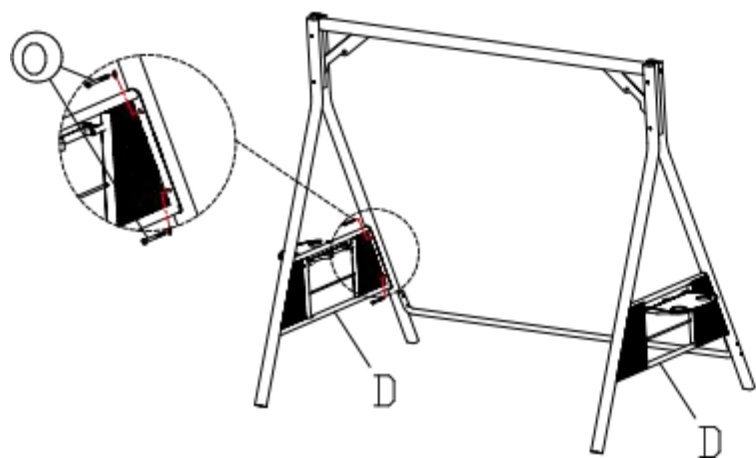
1



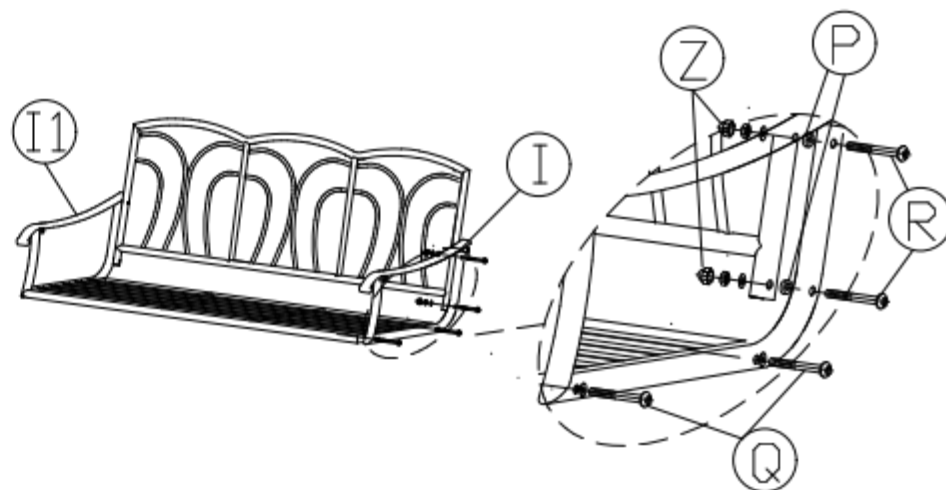
2



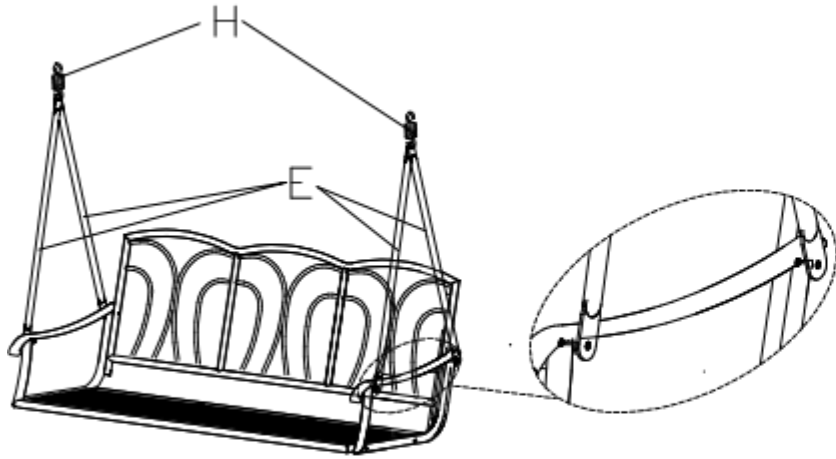
3



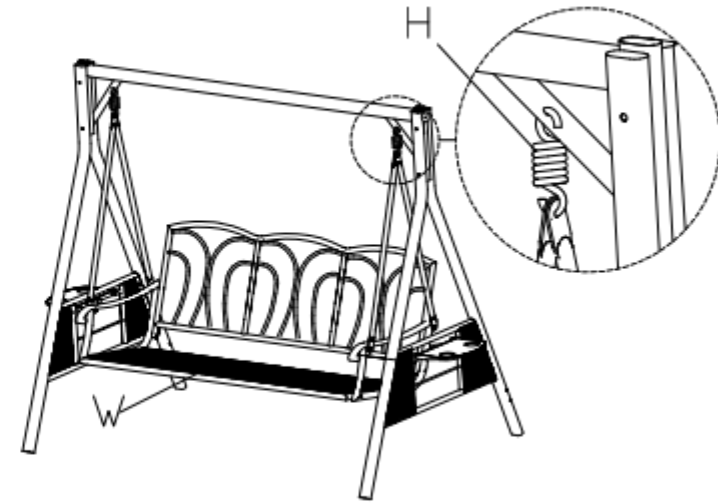
4



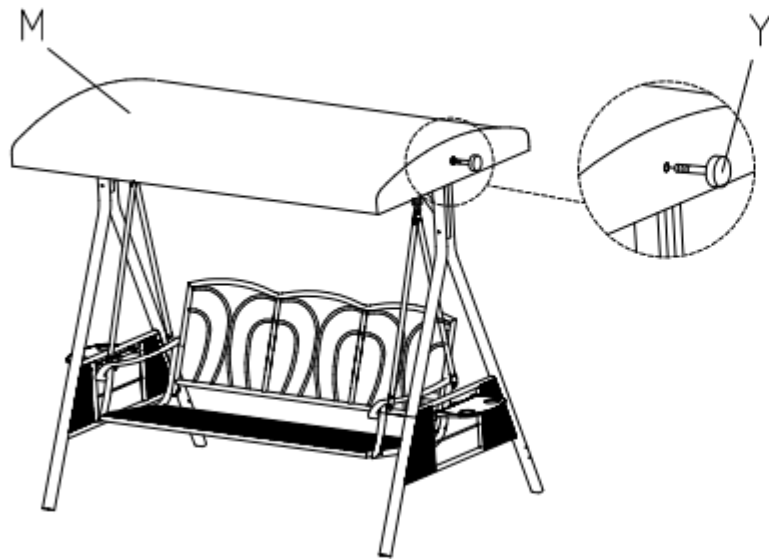
5



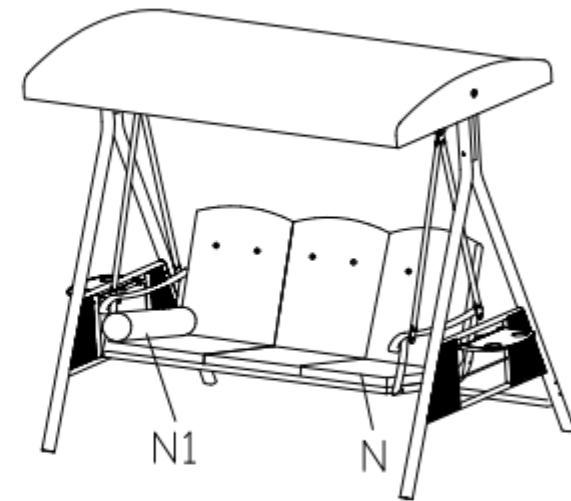
6



7



8





**Call us First !**  
**DO NOT RETURN TO STORE**

For immediate help with assembly or product information

call our number:

(951) 213-4742

Or E-mail:

[Contactus24service@gmail.com](mailto:Contactus24service@gmail.com)

Our staff is ready to provide assistance

M-F 9:00 AM to 5:00 PM EST