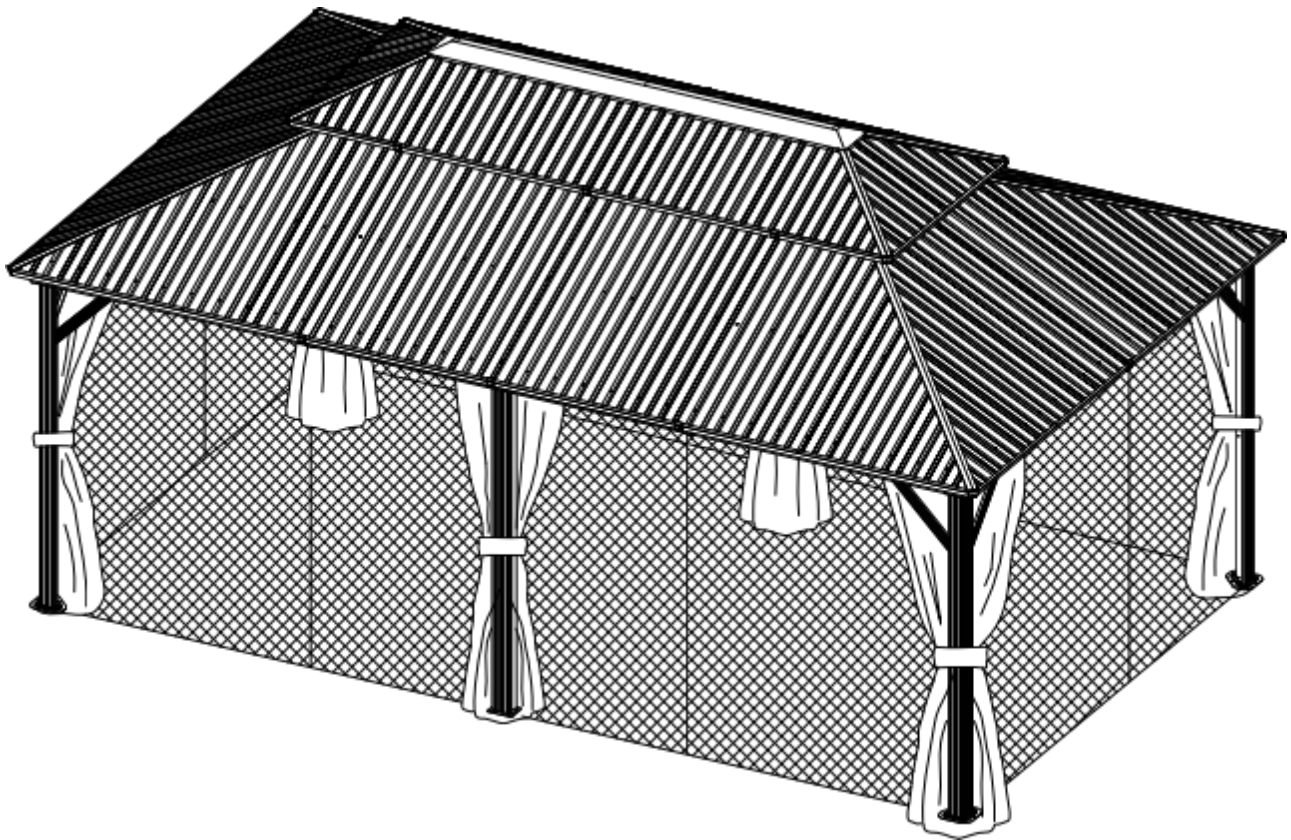


12' × 18' Metal Patio Gazebo

ASSEMBLY MANUAL



MODEL#: LGMF1619

Missing part? Damaged? Contact us via email at

domiservice01@outlook.com

Pre-assembly



1. Two or more people are required for assembly.



2. You will need one or more stepladders.



3. Wearing protective gloves is recommended.



4. You may need a safety hat.



5. Please use a Phillips screw driver.



6. For ease of construction, you may need a drill.



7. You may need a safety goggle.



8. Do not fully tighten screws prior to complete assembly.

Warning & Attention

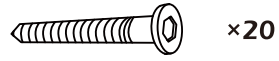
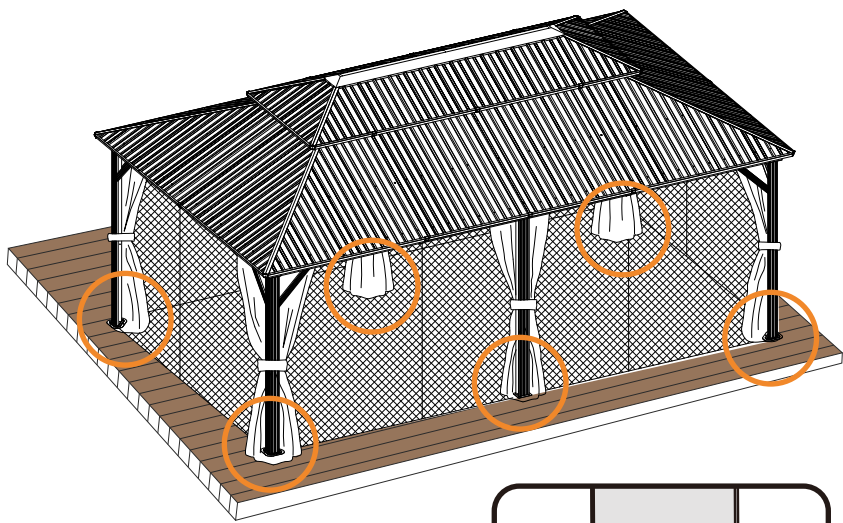
-Try to assemble this product on the flat ground, otherwise it is difficult to carry out;

-It would be much easier to assemble the product with three or more people;

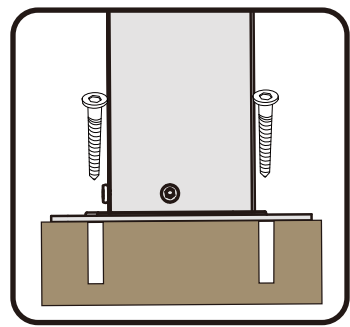
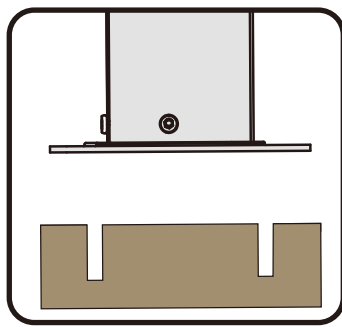
-After assembly, please check whether all screws are tightened, to prevent parts from falling apart.

▲ Use bolts to secure the frame to the ground to against the strong wind.

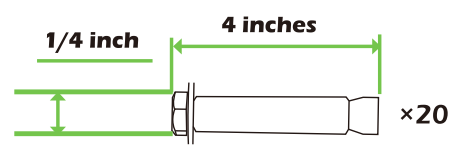
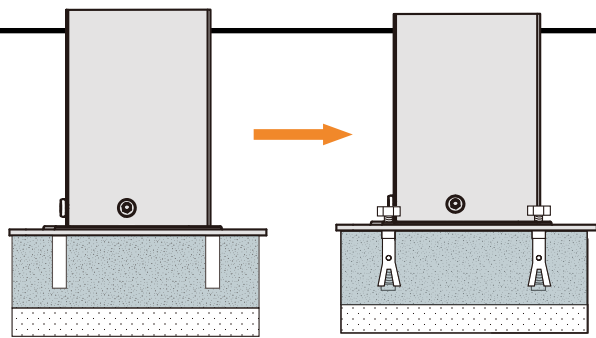
1



If the deck is hard wood and the depth of it is over 3 inch, you can use **5/16 in. x4 in. Structural Wood Screw** to mount the gazebo.

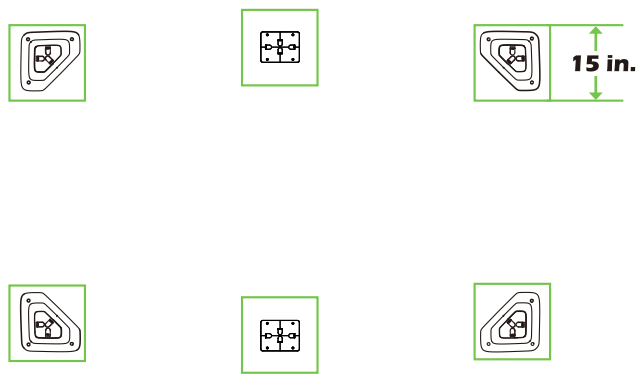


2

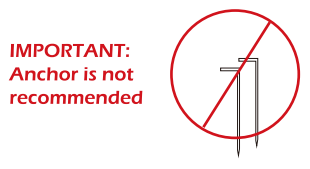


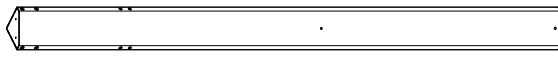
If the ground is concreted and the depth of it is over 3 inch, you can use 1/4 inch expansion bolts to mount the gazebo

3



Or you can make a concrete footing for gazebo, **15x15x15 inches** is recommended. use expansion bolts to mount the gazebo like (2) shows.





A 4x Pole



A1 2x Pole



C 2x Beam



C1 2x Beam



D 2x Beam



D1 2x Beam



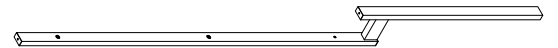
D2 2x Beam



E 4x Corner Roof Bar



E1 4x Corner Roof Bar Connector



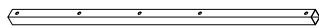
E2 8x Roof Bar



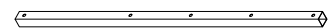
F 4x Solidfying Bar



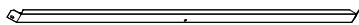
G 4x Solidfying Bar



G1 2x Solidfying Bar



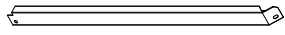
G2 2x Solidfying Bar



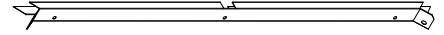
H 2x Finishing Bar



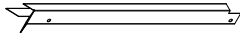
H1 2x Finishing Bar



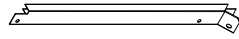
(H2) 2x Finishing Bar



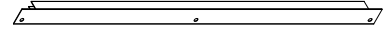
(J) 2x Finishing Bar



(J1) 2x Finishing Bar



(J2) 2x Finishing Bar



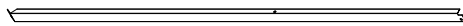
(J3) 4x Finishing Bar



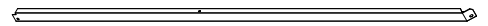
(K) 2x Finishing Bar



(K1) 2x Finishing Bar



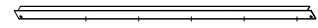
(K2) 2x Finishing Bar



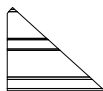
(K3) 2x Finishing Bar



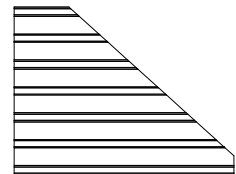
(K4) 4x Finishing Bar



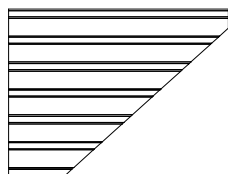
(K5) 4x Finishing Bar



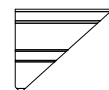
(L1) 2x Roof Panel



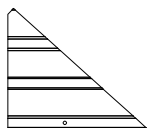
(L2) 2x Roof Panel



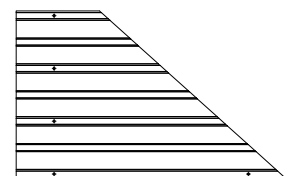
(L3) 2x Roof Panel



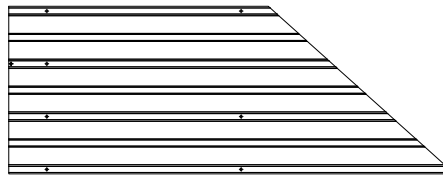
(L4) 2x Roof Panel



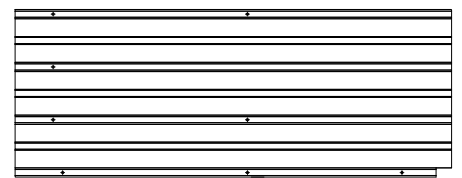
(M1) 2x Roof Panel



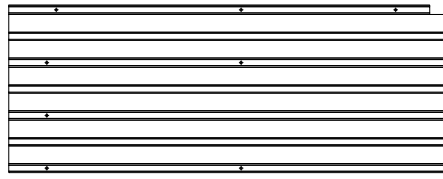
(M2) 2x Roof Panel



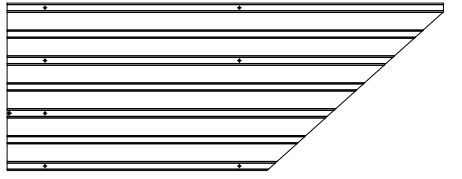
M3 2x Roof Panel



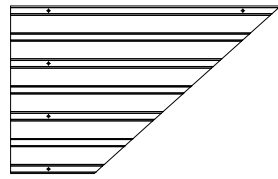
M4 2x Roof Panel



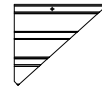
M5 2x Roof Panel



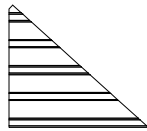
M6 2x Roof Panel



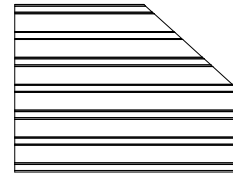
M7 2x Roof Panel



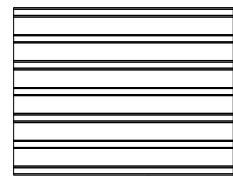
M8 2x Roof Panel



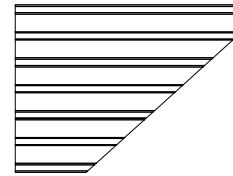
N1 2x Roof Panel



N2 2x Roof Panel



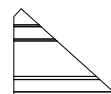
N3 6x Roof Panel



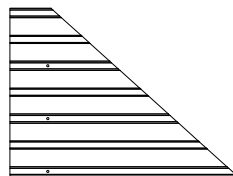
N4 2x Roof Panel



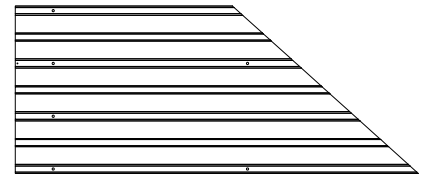
N5 2x Roof Panel



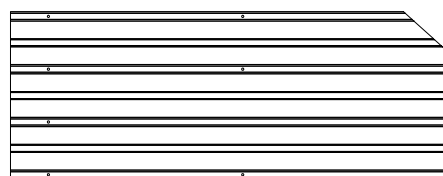
P1 2x Roof Panel



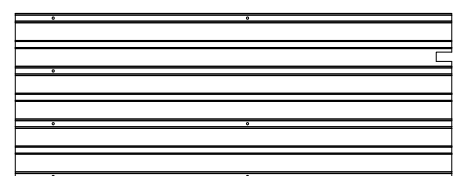
P2 2x Roof Panel



P3 2x Roof Panel



P4 2x Roof Panel



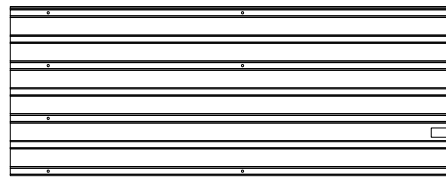
P5 2x Roof Panel



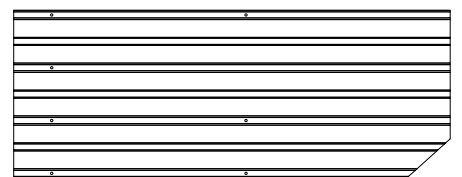
P6 2x Roof Panel



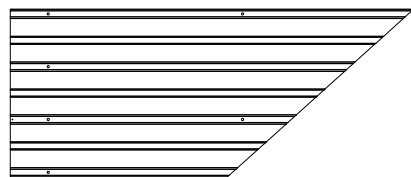
P7 2x Roof Panel



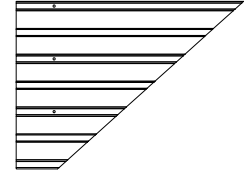
P8 2x Roof Panel



P9 2x Roof Panel



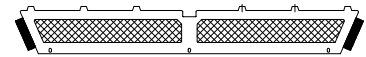
P10 2x Roof Panel



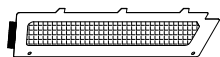
P11 2x Roof Panel



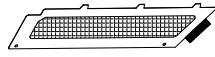
P12 2x Roof Panel



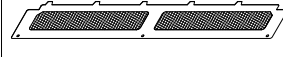
Q 2x Net Frame



Q1 2x Net Frame



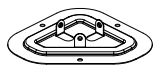
Q2 2x Net Frame



Q3 2x Net Frame



Q4 2x Net Frame



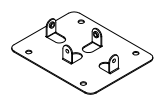
B 4x Base



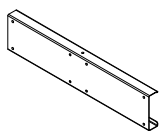
B1 12x Bracket



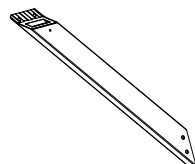
B2 8x Bracket



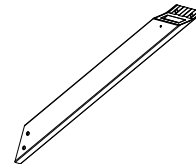
B3 2x Base



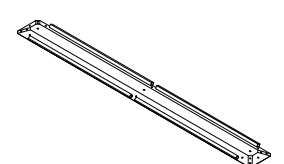
C2 6x Union Bar



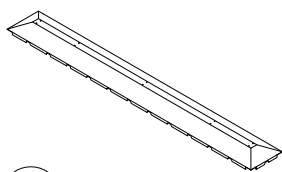
R 4x Corner Solidifying Bar



R1 4x Corner Solidifying Bar



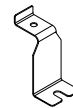
S 1x Inside Roof Connector



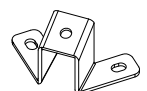
S1 1x Outside Roof Connector



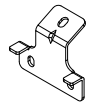
T 3x J-Hook



T1 6x Bracket



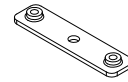
U 4x Bracket



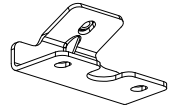
U1 6x Bracket



U2 4x Bracket



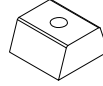
U3 8x Bracket



U4 2x Bracket



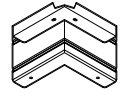
V 144x Hook



W 148x Spacer



X 6x Joint Cover



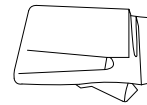
X1 4x Corner Cover



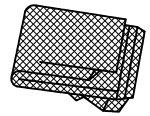
X2 14x Finishing End



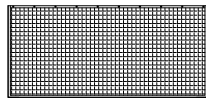
X3 12x Finishing End



Y 4x Solid Sidewall



Y1 4x Mosquito Sidewall



Y2 2x Mosquito Sidewall



Y3 2x Solid Sidewall



Z 72x Plastic Bracket



Z1 4x Plastic Bracket



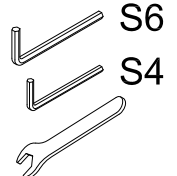
Z2 4x Plastic Bracket



Z3 6x Plastic Bracket



Z4 6x Plastic Bracket



1 1x



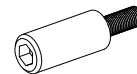
ST6.3x15

2 12x



ST5x16

3 24x



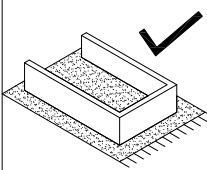
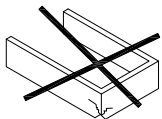
M6x15

4 32x



M6

5 152x



M5x12

6 16x



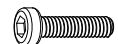
M6x10

7 28x



M6x16

8 266x



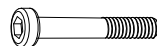
M6x25

9 8x



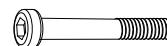
M6x28

10 92x



M6x45


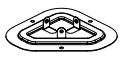
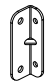
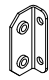

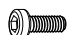


11 4x

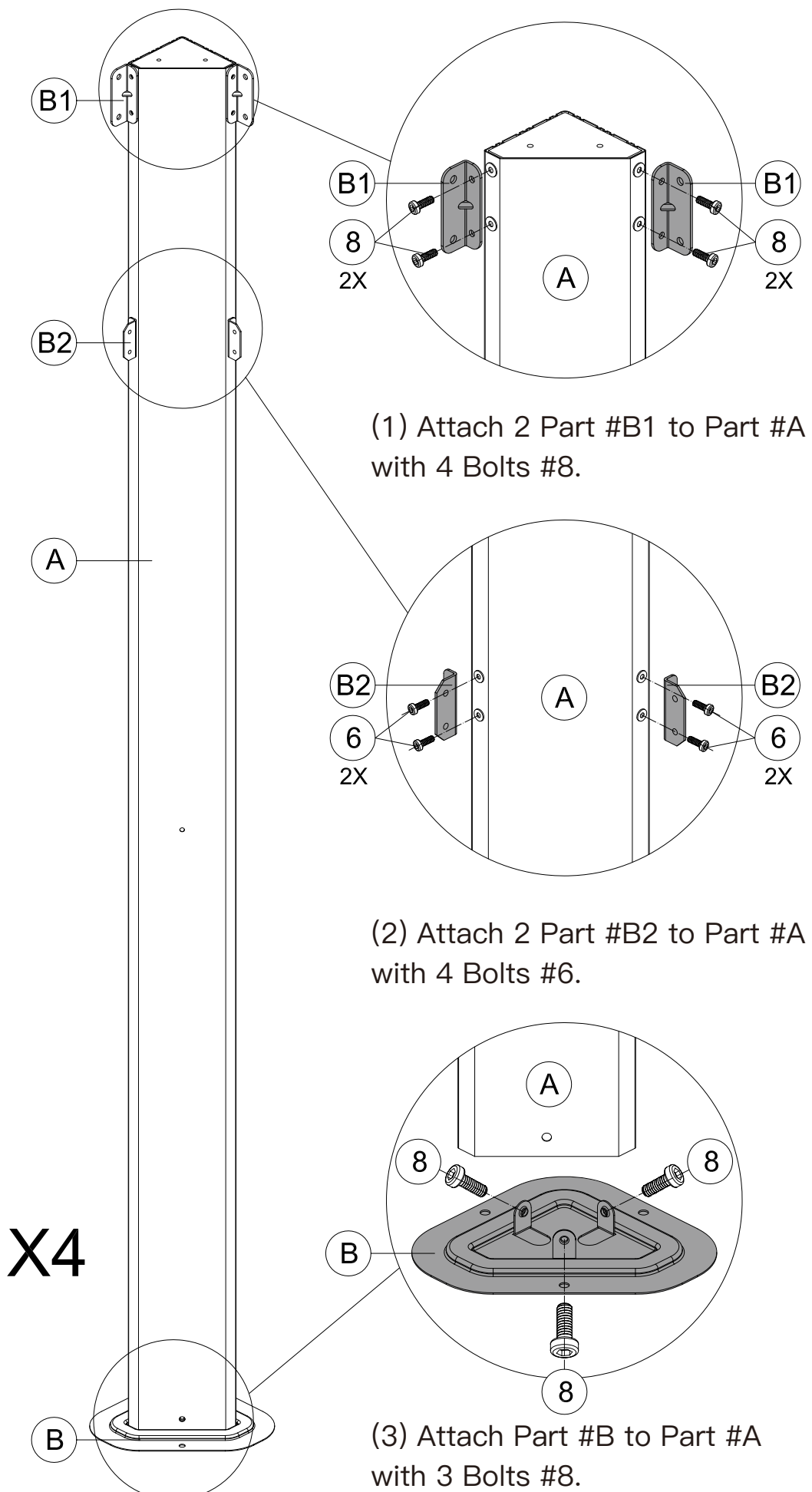


M6x50

12 44x

6

	A 4x
	B 4x
	B1 8x
	B2 8x
	S4
	1 1x
	6 16x M5x12
	8 28x M6x16
7	



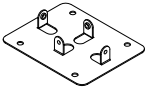
X4



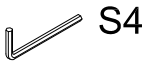
A1 2x



B1 4x



B3 2x



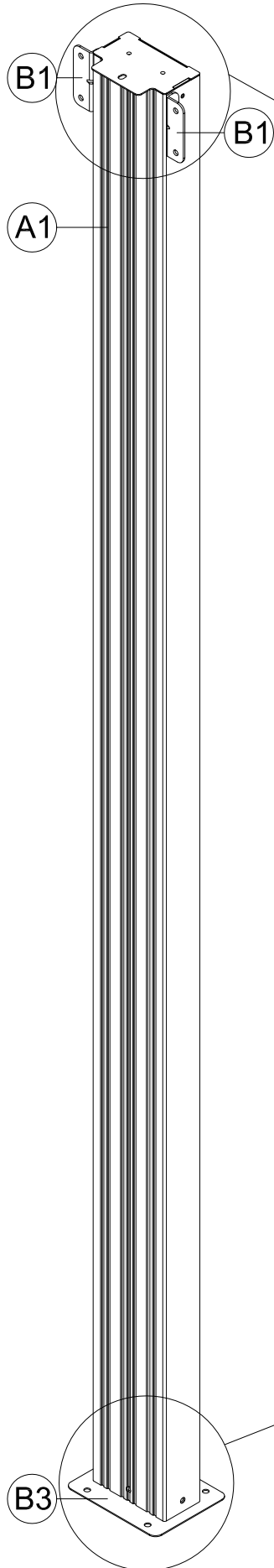
1 1x



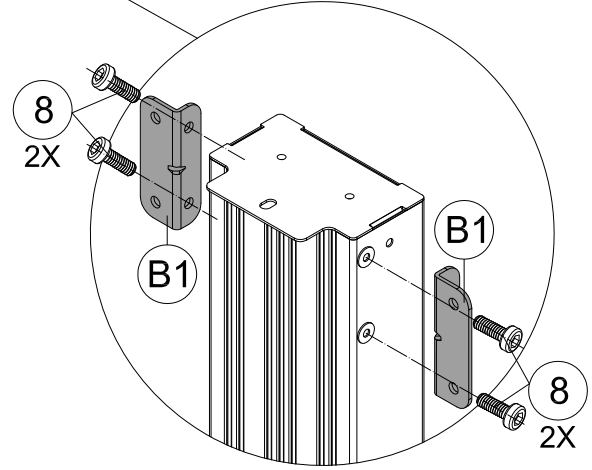
M6x16

8 16x

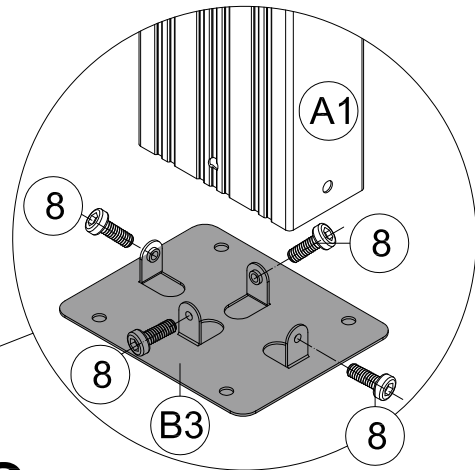
8



(1) Attach 2 Part #B1 to Part #A1 with 4 Bolts #8.

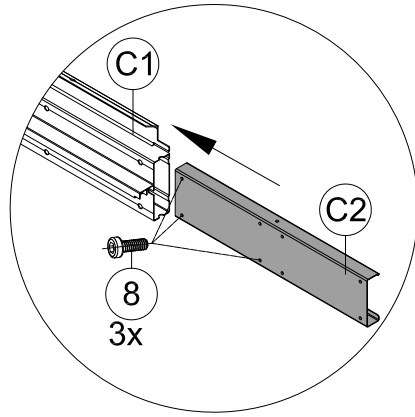
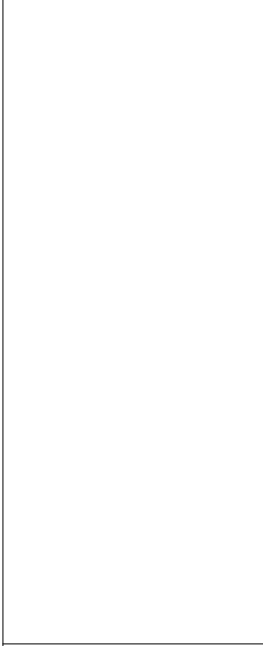
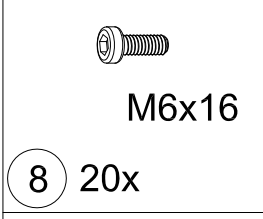
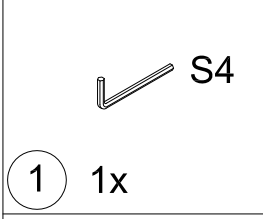
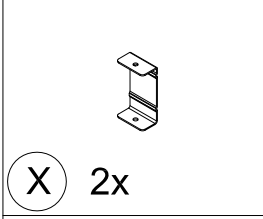
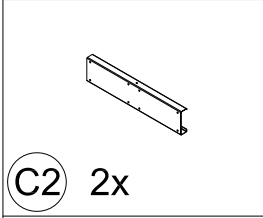
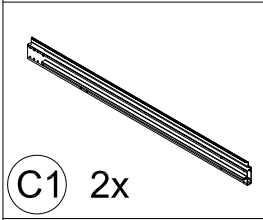
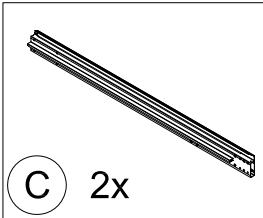


(2) Attach Part #B3 to Part #A1 with 4 Bolts #8.

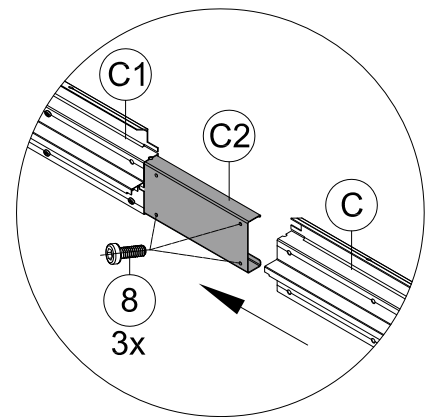


X2

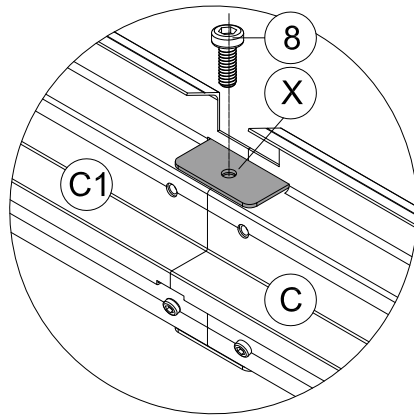
(3) Repeat the above procedures to assemble another Part #A1.



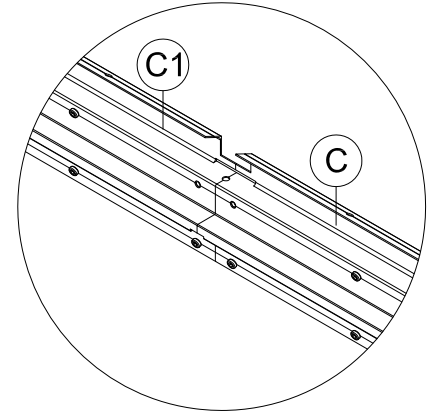
(1) Insert Part #C2 into Part #C1 and secure with 3 Bolts #8.



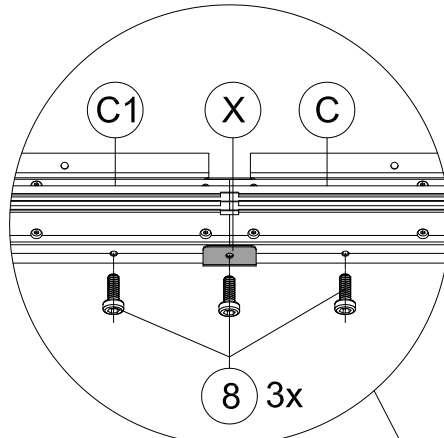
(2) Insert the other side of Part #C2 into Part #C and secure with 3 Bolts #8.



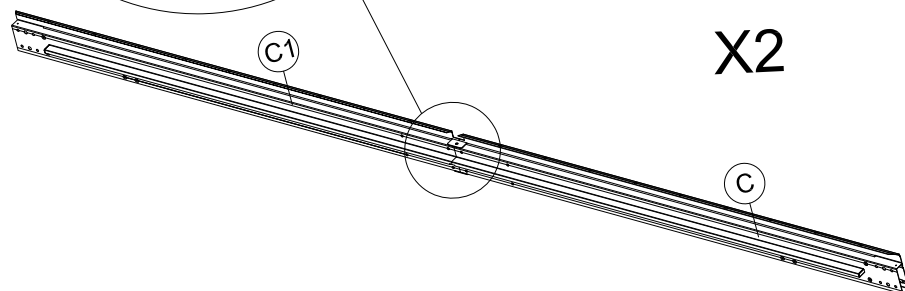
(4) Insert Part #X into the beam and secure with 1 Bolt #8.



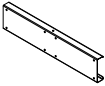
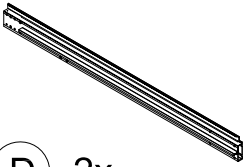
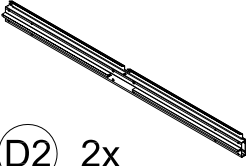
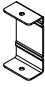
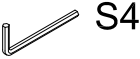

(3) Connect Part #C1 and Part #C through Part #C2.



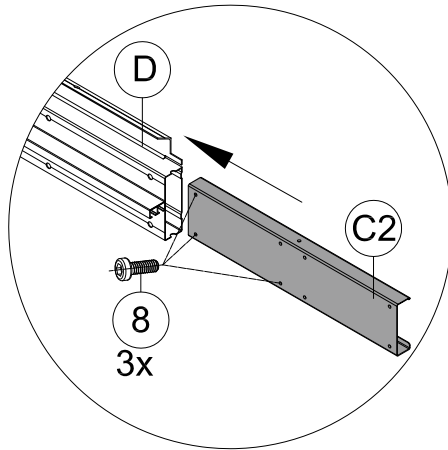
(5) Secure the bottom of Part #X and Part #C/C1 with 3 Bolts #8.



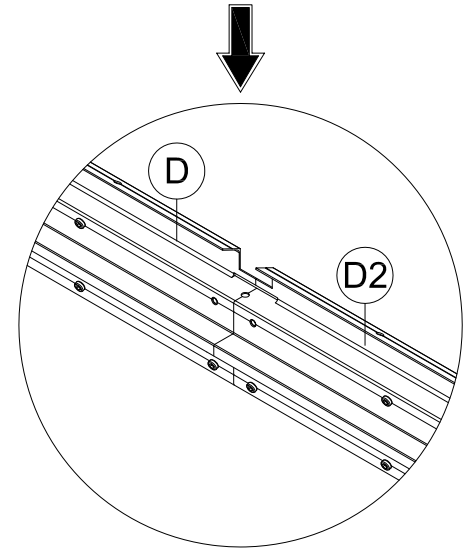
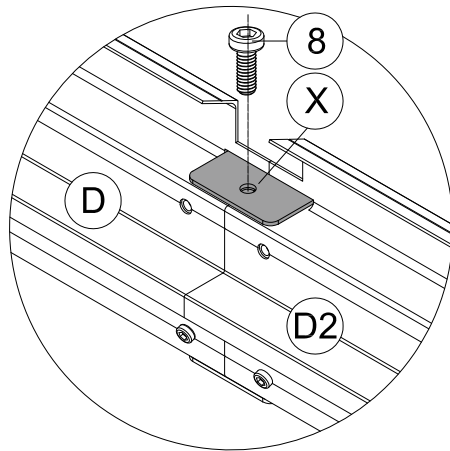
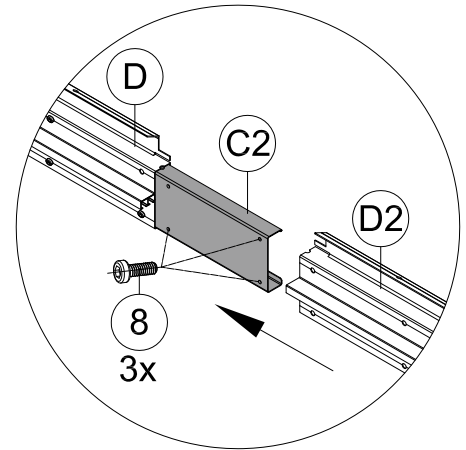
(6) Repeat the above procedures to assemble the other Part #C and Part #C1.


C2 2x

D 2x

D2 2x

X 2x

S4 1x

M6x16
8 20x
10

(1) Insert Part #C2 into Part #D, and secure with 3 Bolts #8.

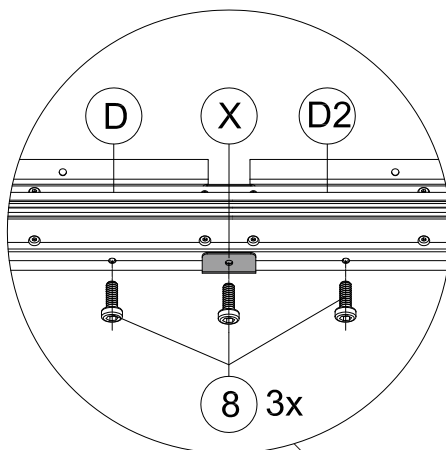


(2) Insert the other side of Part #C2 into Part #D2 and secure with 3 Bolts #8.

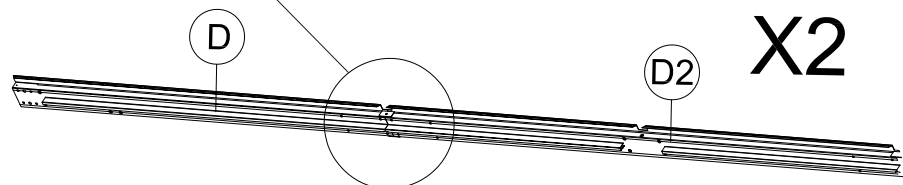


(4) Insert Part #X into the beam and secure with 1 Bolt #8.

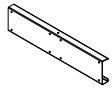
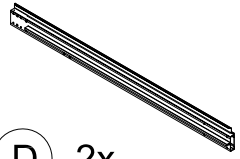
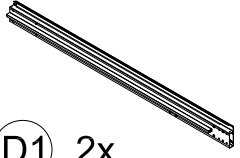
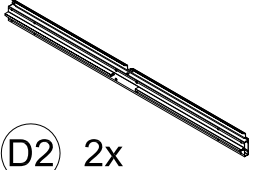
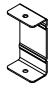

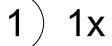
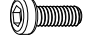
(3) Connect Part #D and Part #D2 through Part #C2.



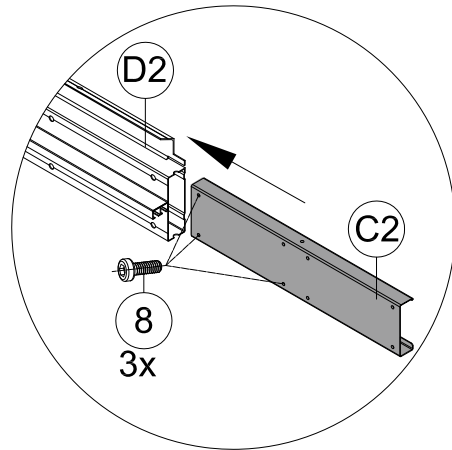
(5) Secure the bottom of Part #X and Part #D/D2 with 3 Bolts #8.



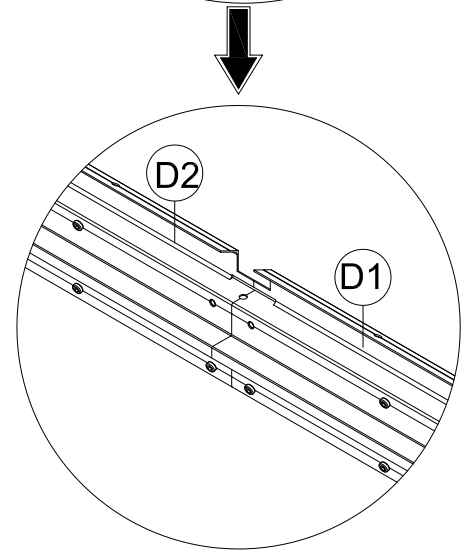
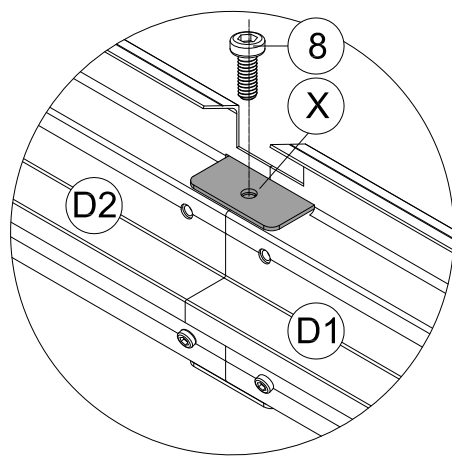
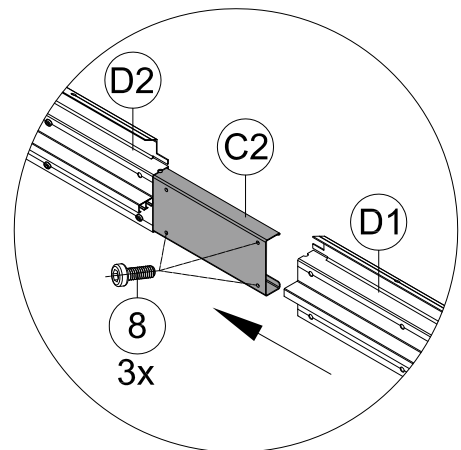
(6) Repeat the above procedures to assemble the other Part #D & #D2.

-  C2 2x
-  D 2x
-  D1 2x
-  D2 2x
-  X 2x
-  S4
-  1 1x
-  M6x16
8 20x

(1) Insert Part #C2 into Part #D2, and secure with 3 Bolts #8.

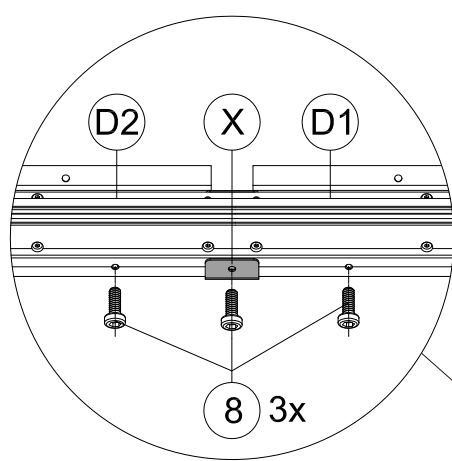


(2) Insert the other side of Part #C2 into Part #D1 and secure with 3 Bolts #8.

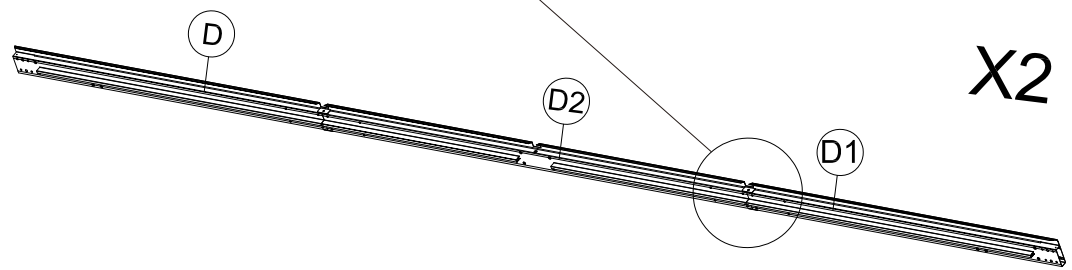


(4) Insert Part #X into the beam and secure with 1 Bolt #8.

(3) Connect Part #D2 and Part #D1 through Part #C2.



(5) Secure the bottom of Part #X and Part #D2/D1 with 3 Bolts #8.

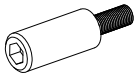


(6) Repeat the above procedures to assemble the other Part #D2/#D1.



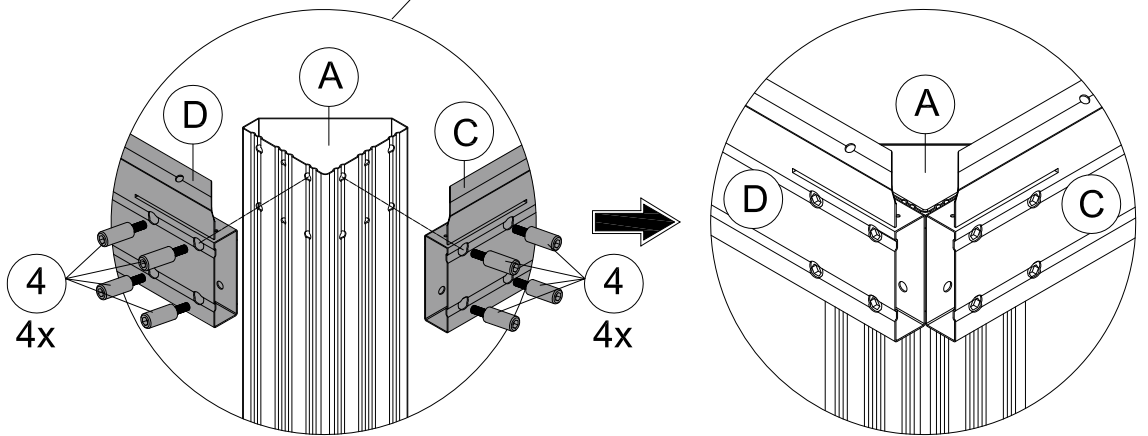
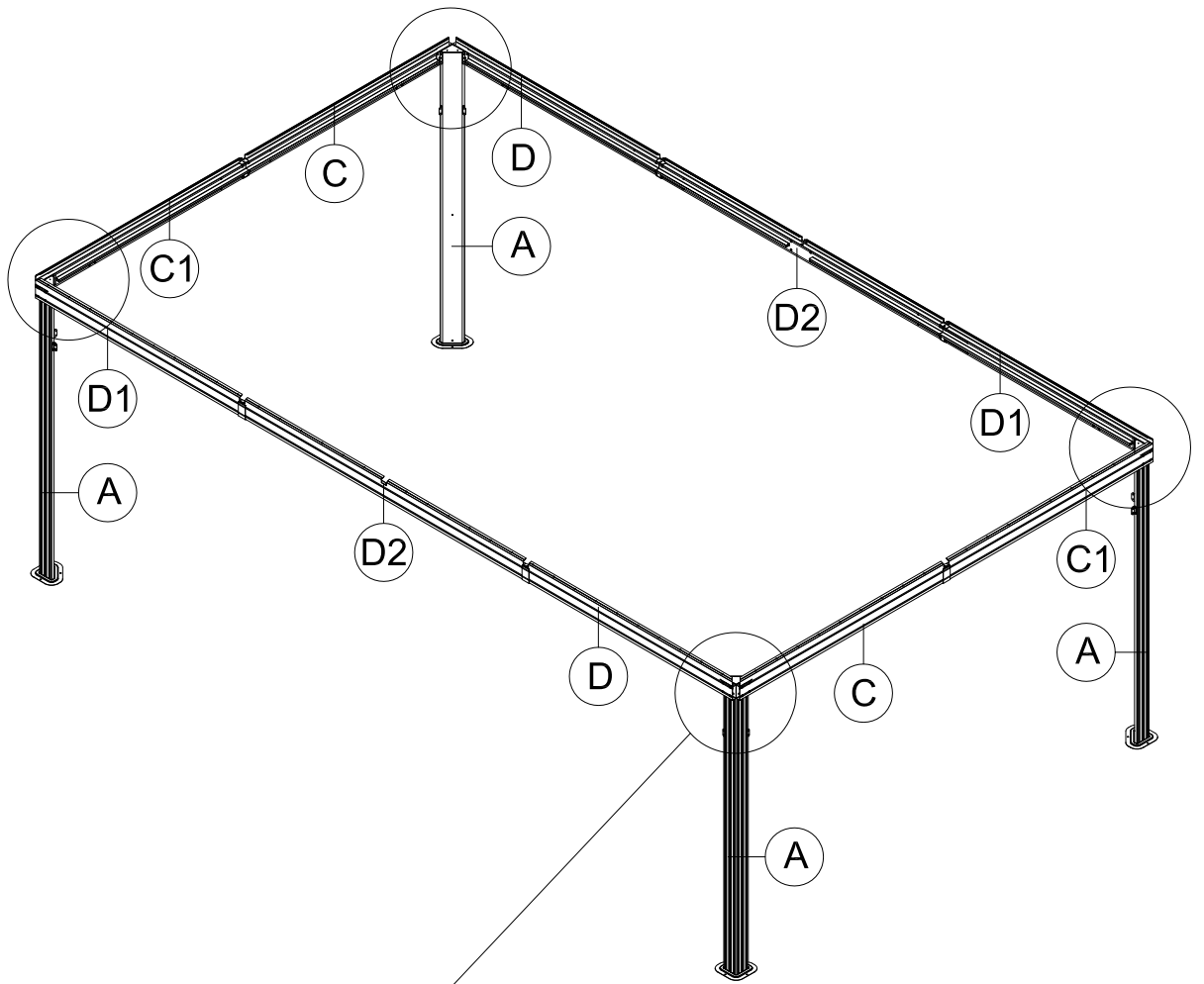
S6

1 1x



M6x15

4 32x



(1) Connect Part #C and #D to Part #A with 8 Bolts #4.
(From Outside)

(2) Repeat the above procedures to assemble the other 3 corners.

⚠ Please don't tighten all bolts.

✓ S4

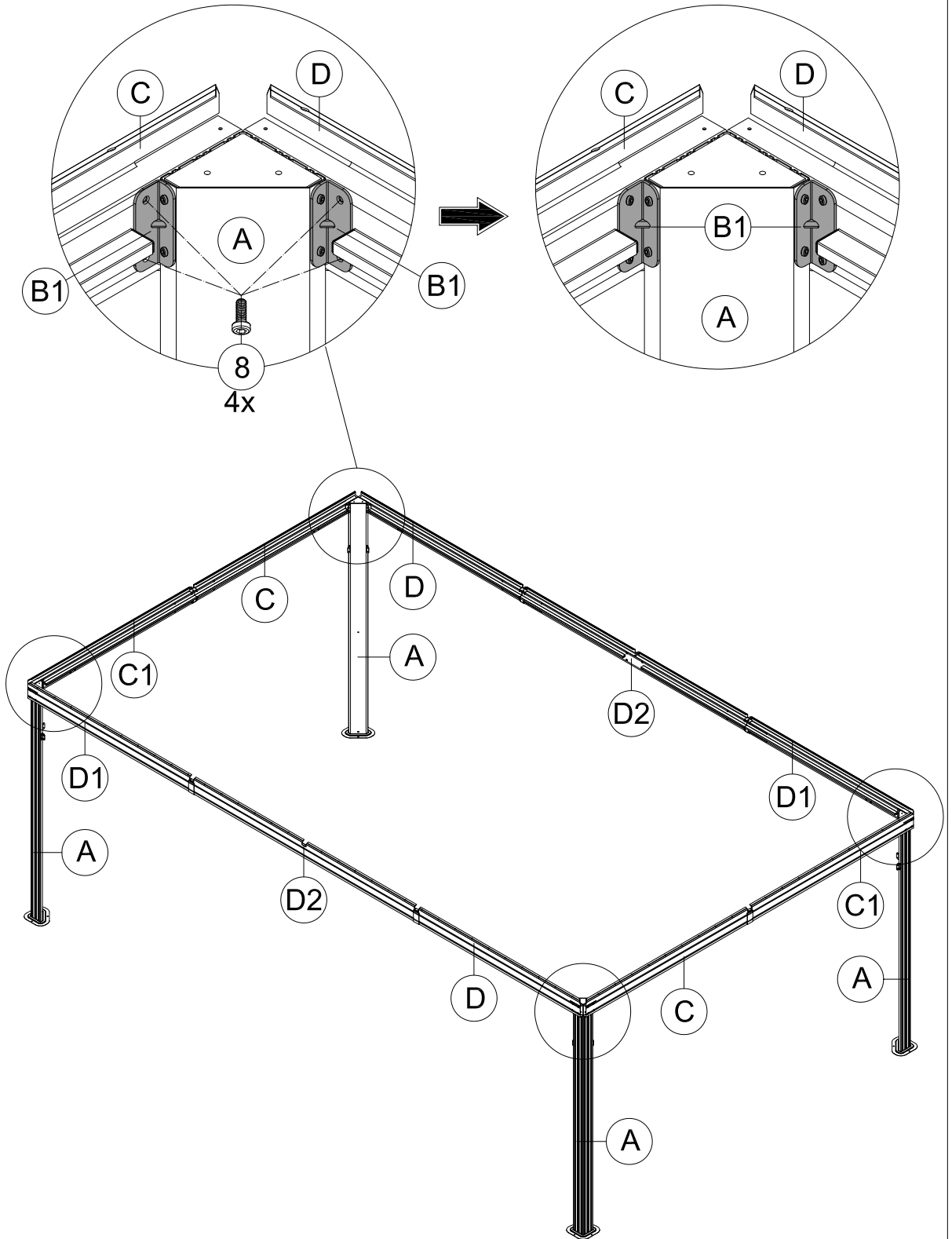
1 1x



M6x16

8 16x

(1) Connect Part #C and #D to Part #A with 4 Bolts #8.
(From Inside)



Repeat the above procedures to assemble the other 3 corners.

⚠ Please don't tighten all bolts.

✓ S4

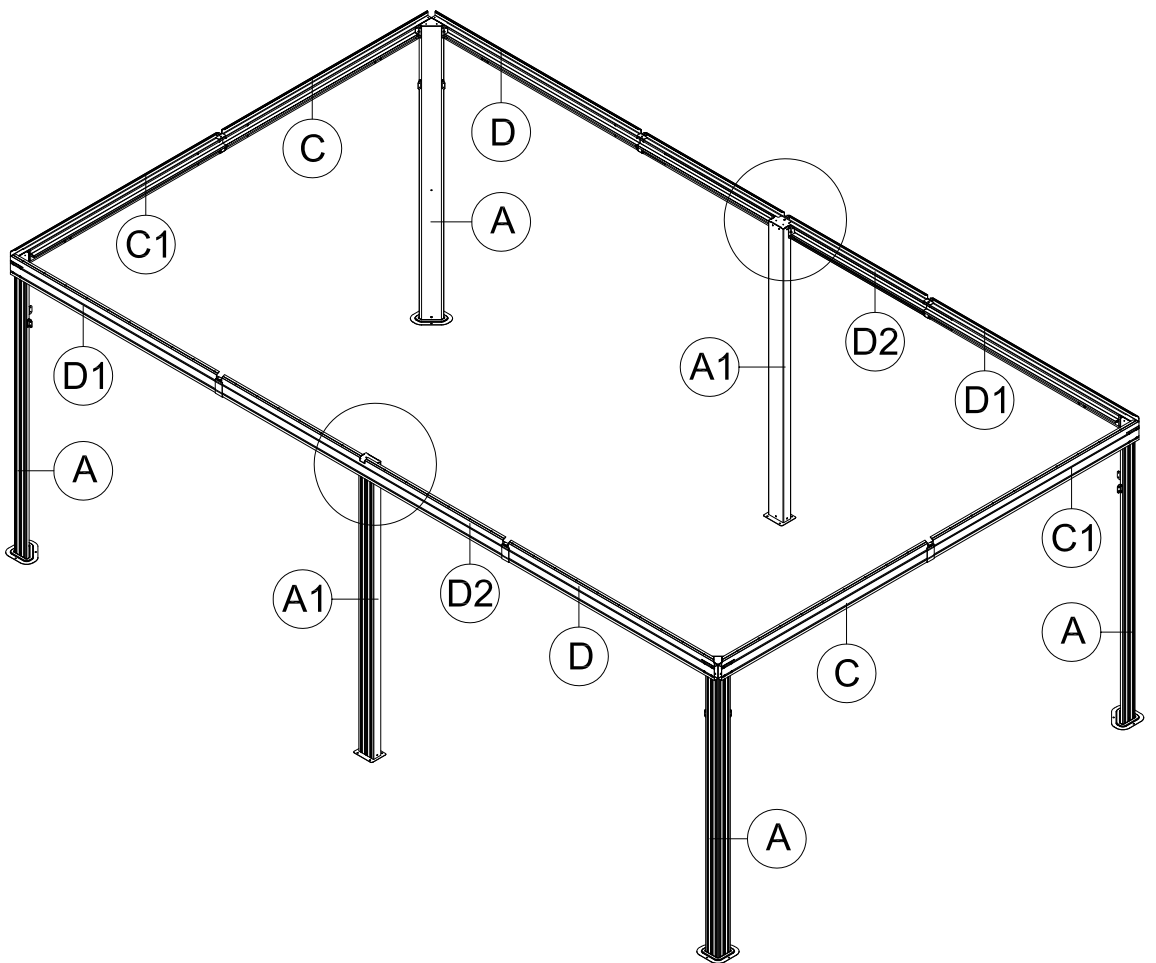
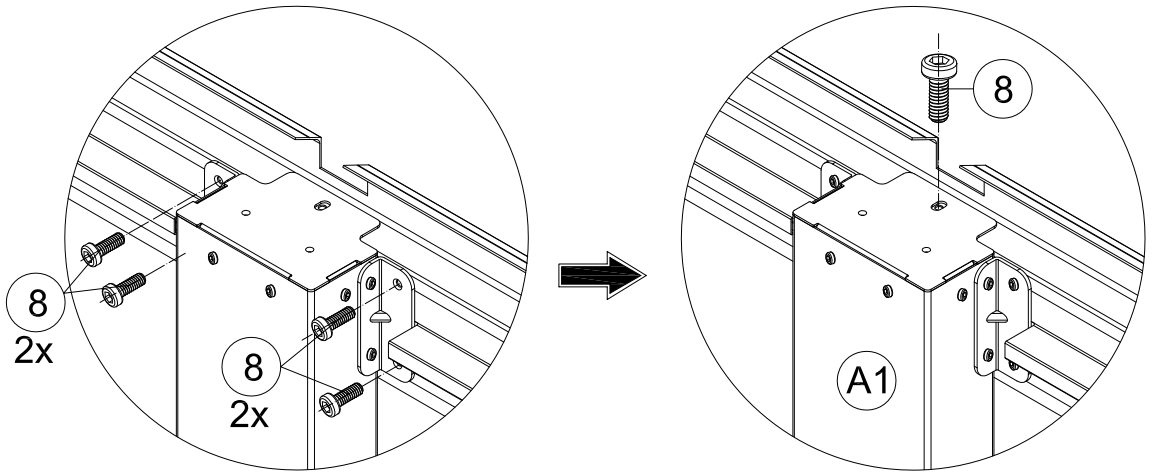
1 1x



M6x16

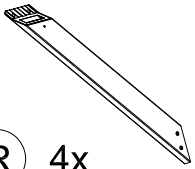
8 10x

(1) Connect Part #A1 to the middle of Part #D2 with 5 Bolts #8.

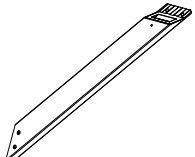


Repeat the above procedures to assemble the opposite side.

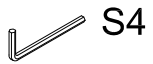
⚠ Please don't tighten all bolts.



R 4x



R1 4x



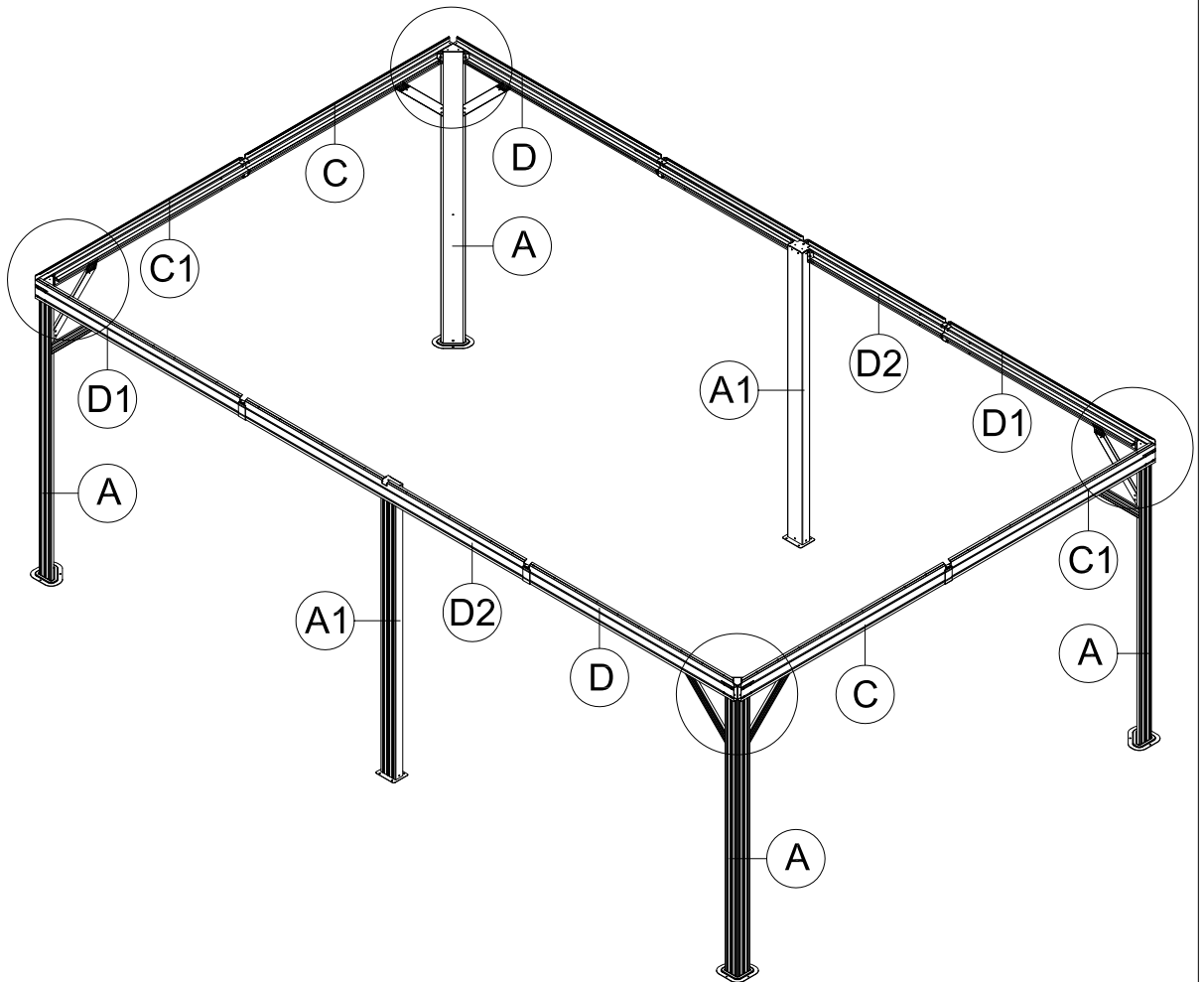
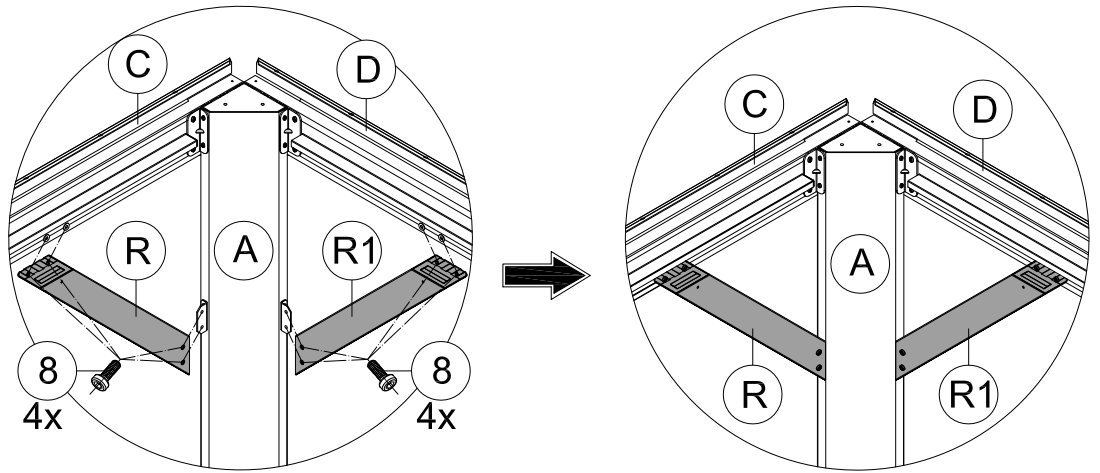
1 1x



M6x16

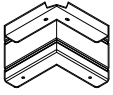
8 32x

(1) Affix Part #R and Part #R1 to the frame with 8 Bolts #8.



Repeat the above procedures to assemble the other 3 corners.

⚠ Please don't tighten all bolts.

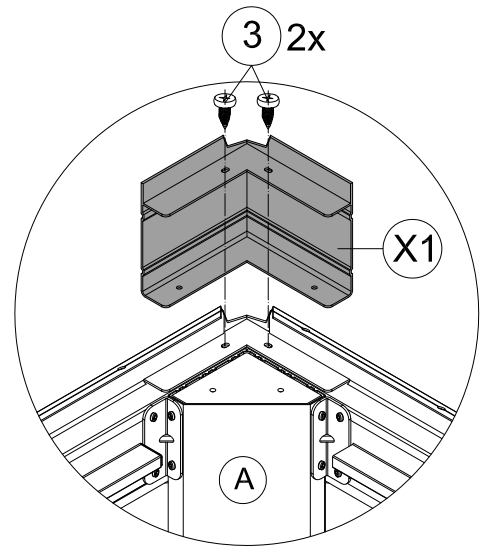
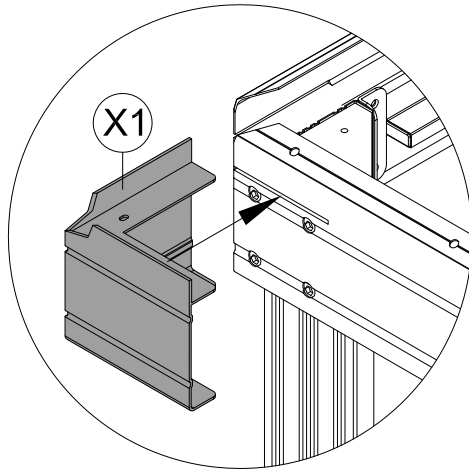


X1 4x



ST5x16

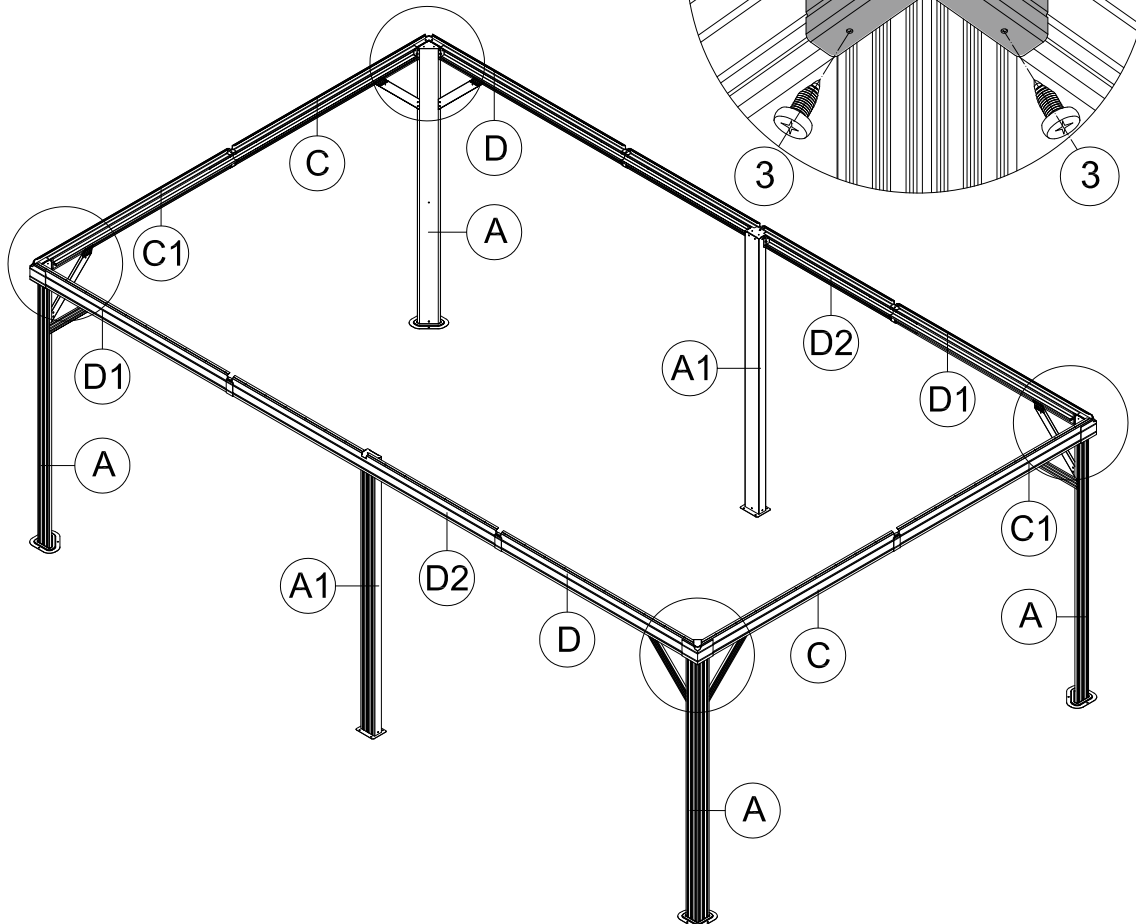
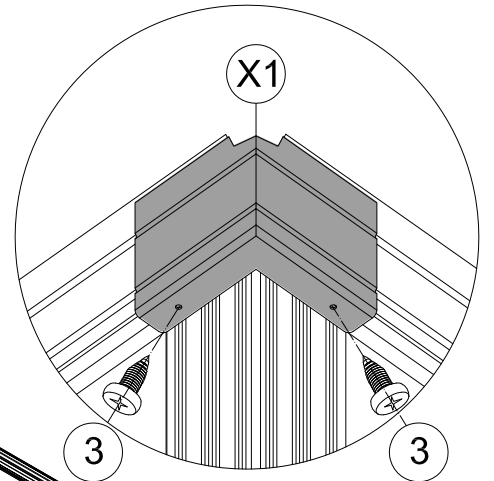
3 16x



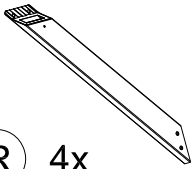
(1) Cover the corner with Part #X1. (2) Secure with 2 Self-tapping Screws #3. (from top to bottom)



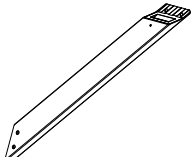
(3) Secure with 2 Self-tapping Screws #3. (from bottom to top)



Repeat the above procedures to assemble the other 3 corners.
⚠ Tighten all bolts.



R 4x



R1 4x



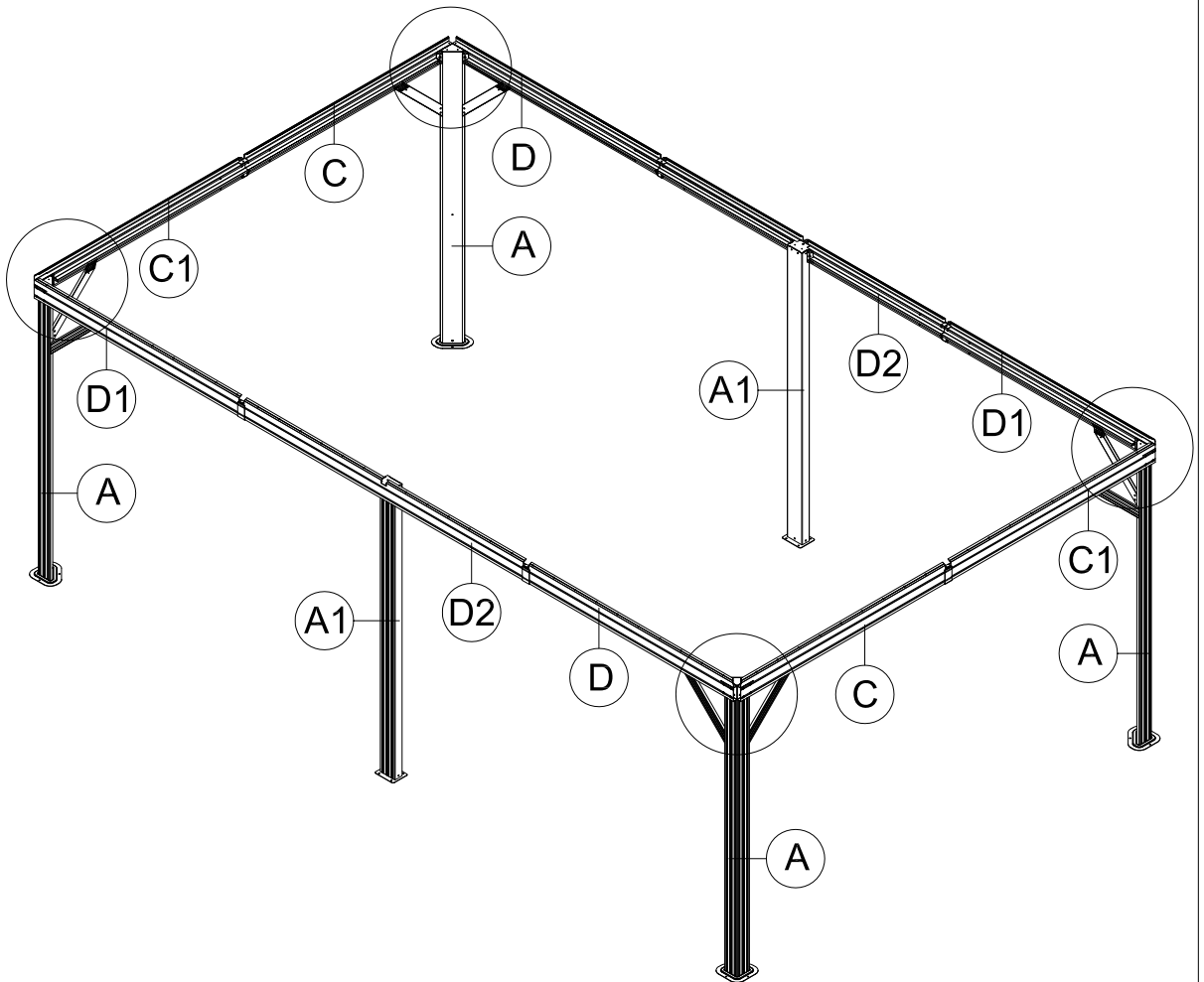
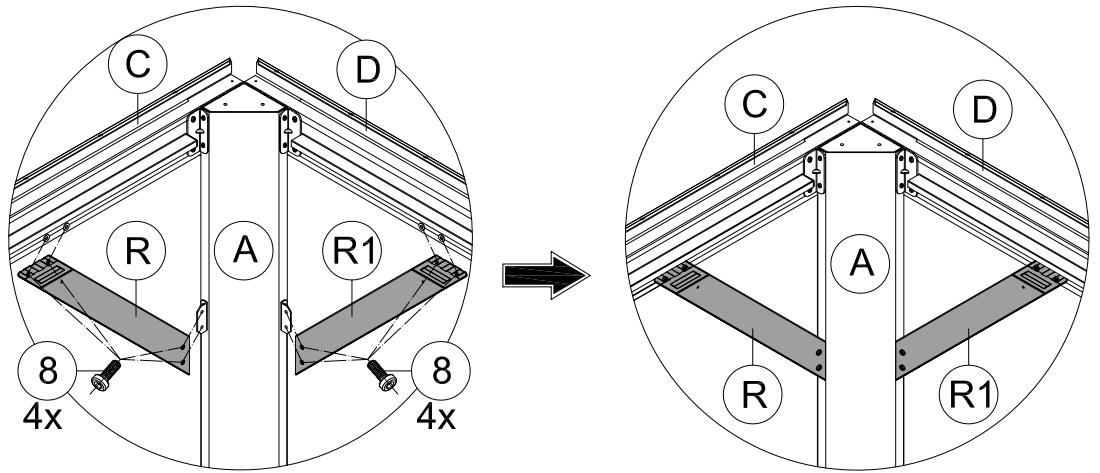
1 1x



M6x16

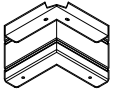
8 32x

(1) Affix Part #R and Part #R1 to the frame with 8 Bolts #8.



(2) Repeat the above procedures to assemble the other 3 corners.

⚠ Tighten all bolts.

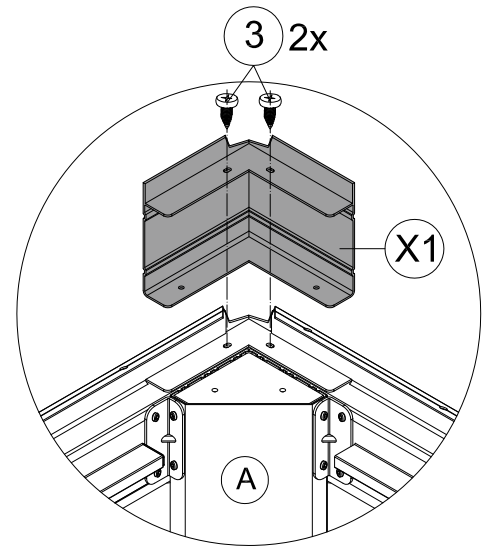
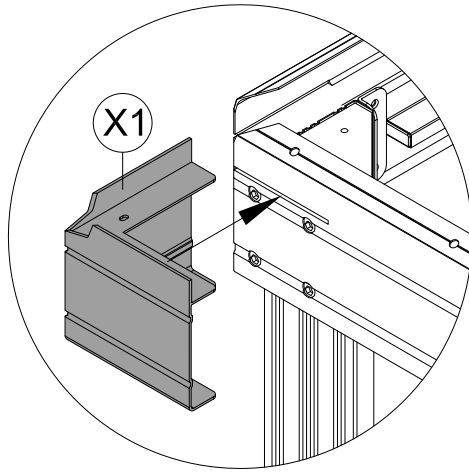


X1 4x



ST5x16

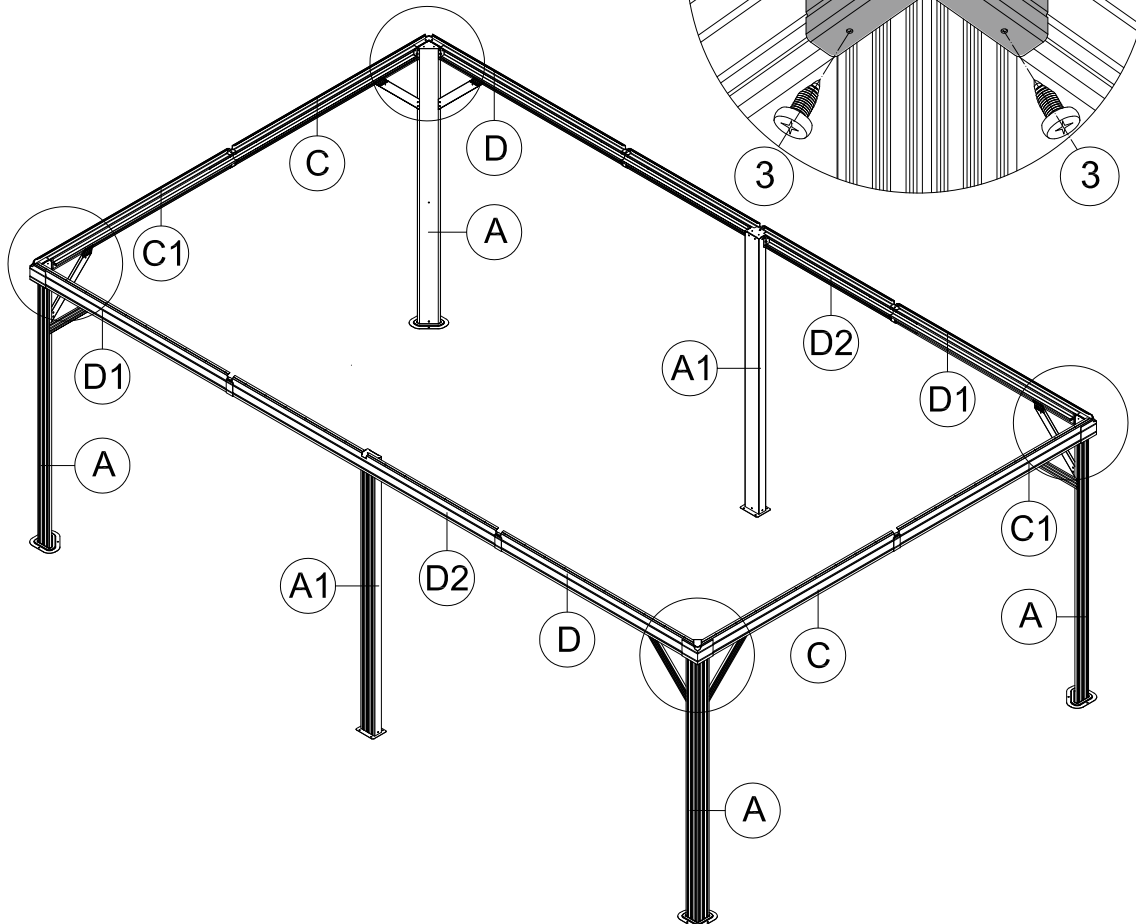
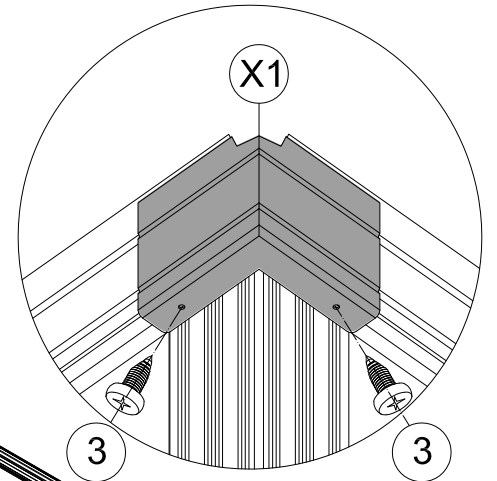
3 16x



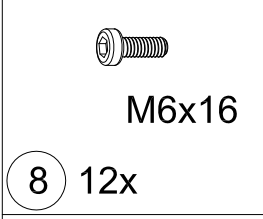
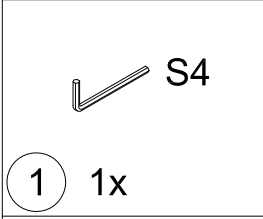
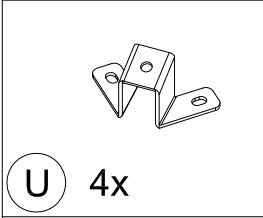
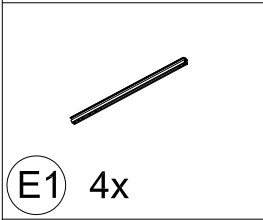
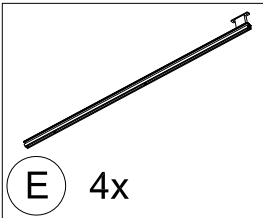
(1) Cover the corner with Part #X1. (2) Secure with 2 Self-tapping Screws #3. (from top to bottom)



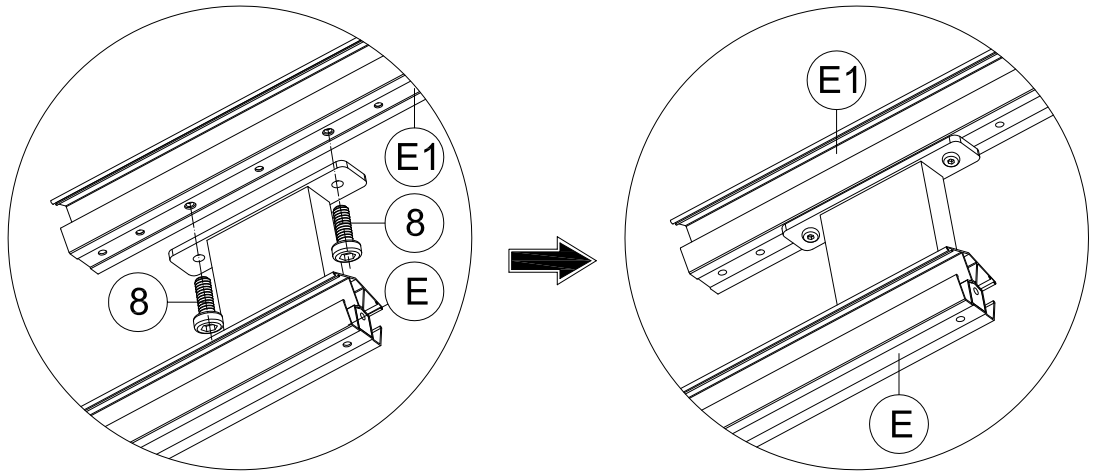
(3) Secure with 2 Self-tapping Screws #3. (from bottom to top)



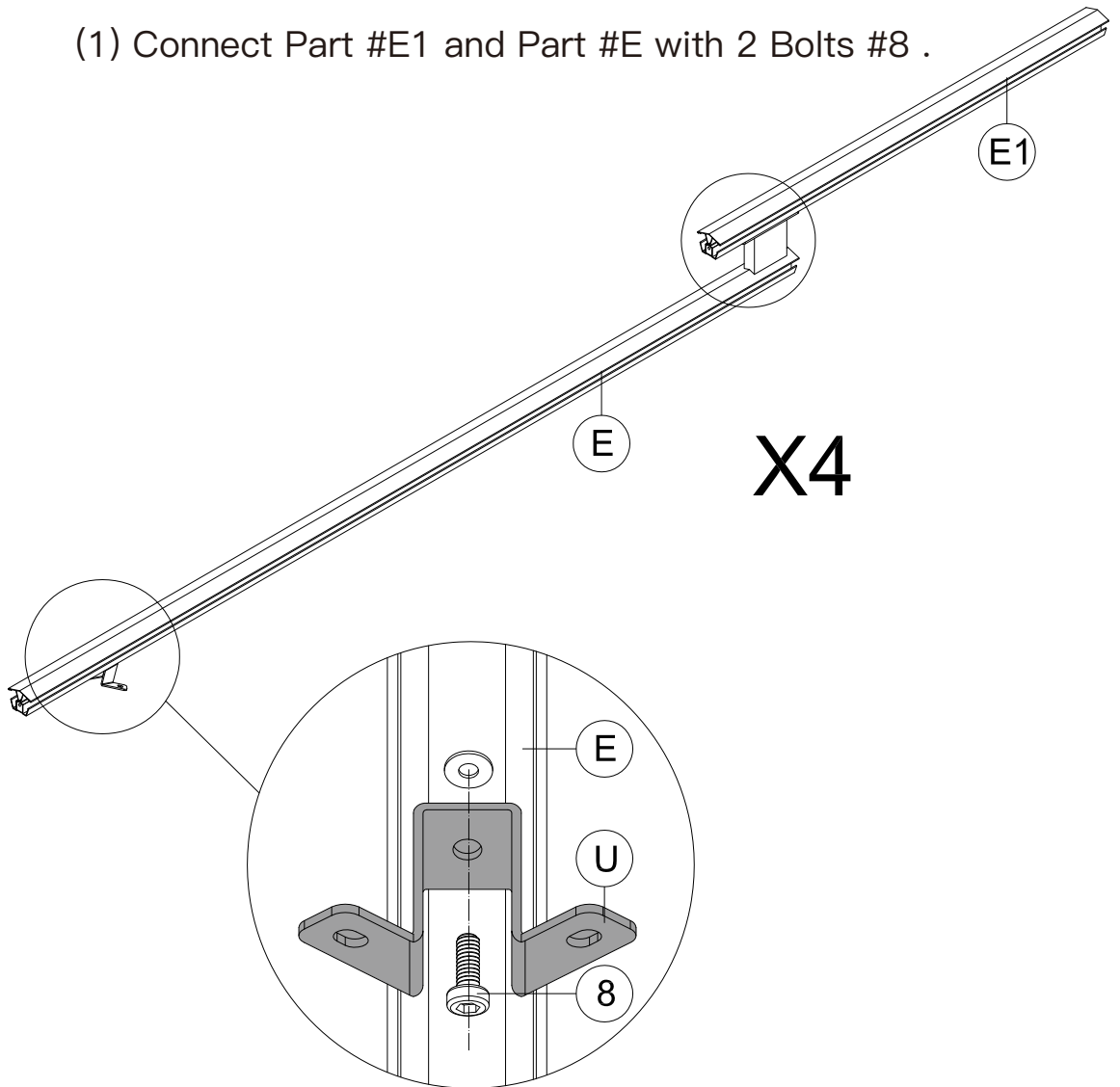
(4) Repeat the above procedures to assemble the other 3 corners.



Assemble the 4 Corner Roof Bars:

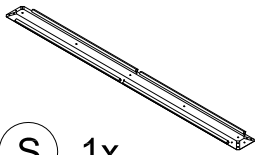


(1) Connect Part #E1 and Part #E with 2 Bolts #8 .



(2) Attach Part #U to Part #E with Bolt #8 .

(3) Repeat the above procedures to assemble the other 3 corner roof bars.



S 1x



S4

1 1x

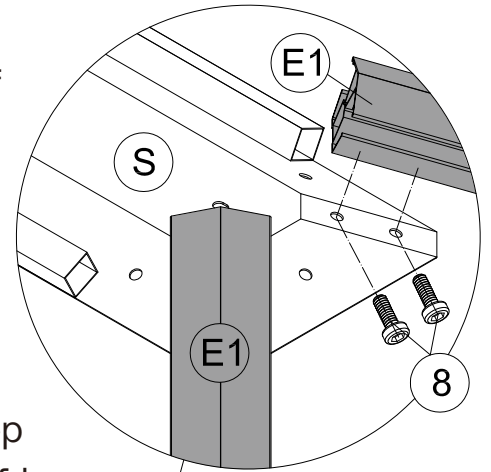


M6x16

8 16x

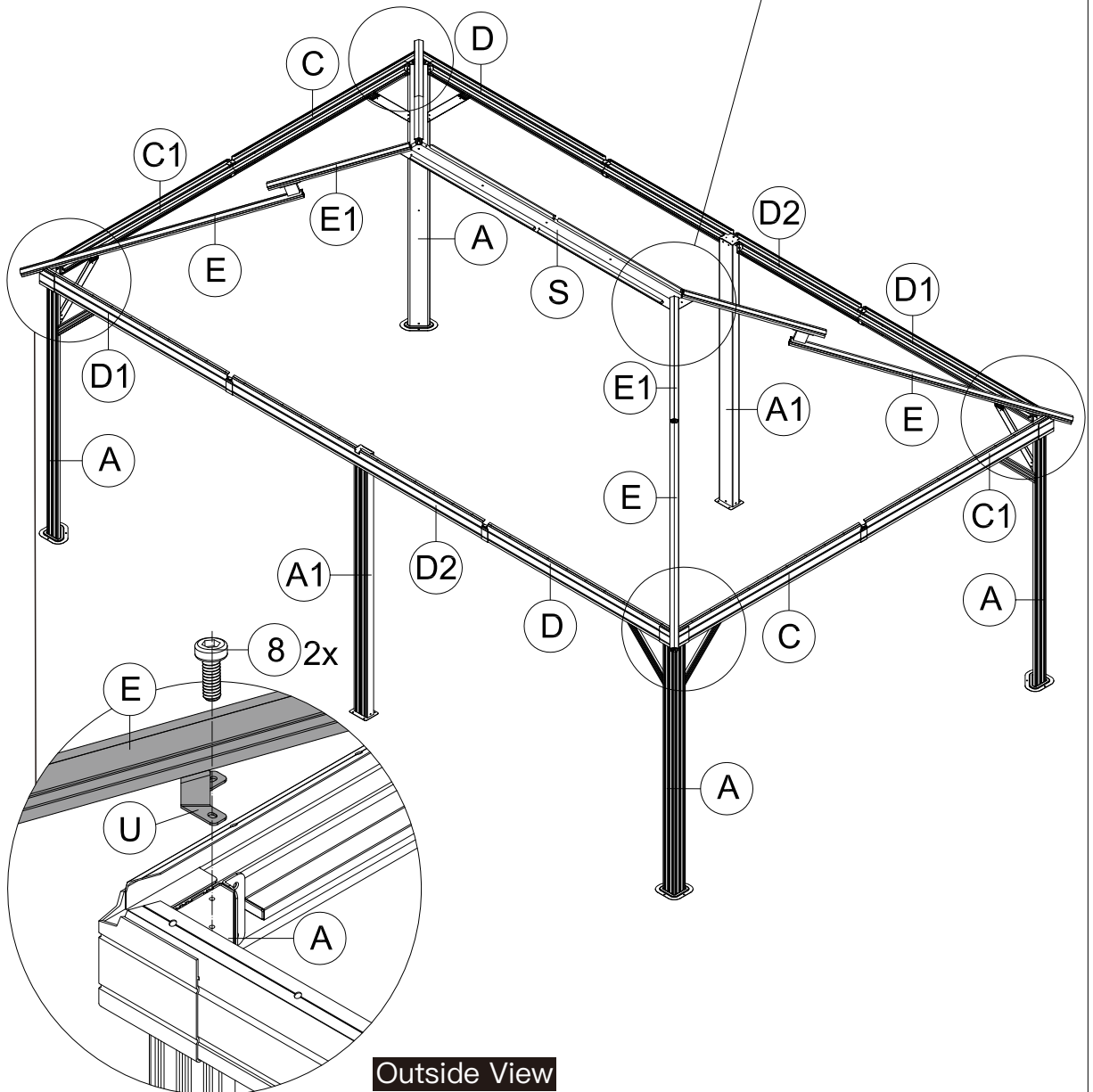
Please have a freestanding ladder ready at the center of the gazebo.

(1) Place 4 Part #E1 on the 4 corners of Part #S. Secure with 8 Bolts #8. (from bottom to top)



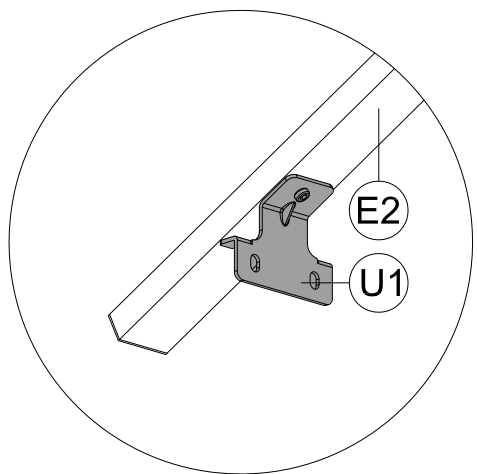
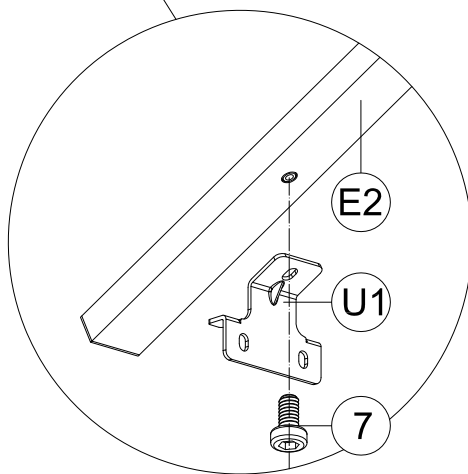
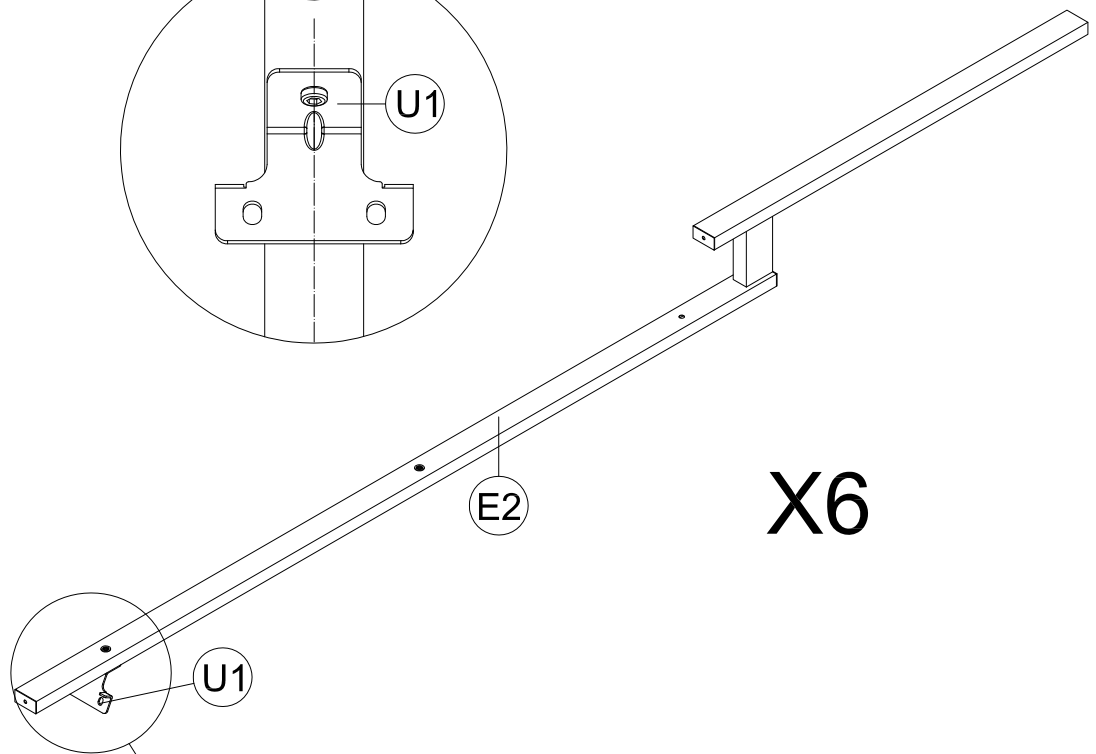
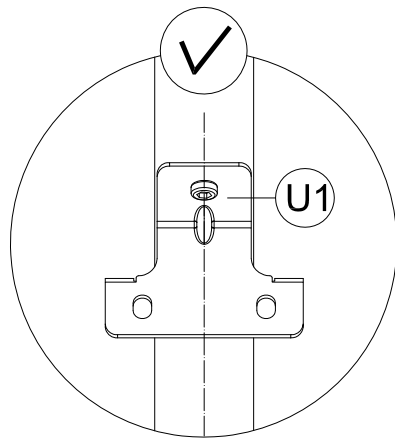
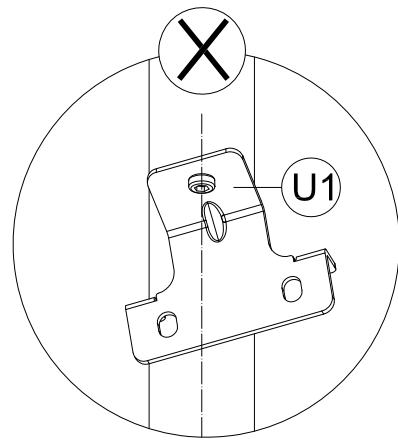
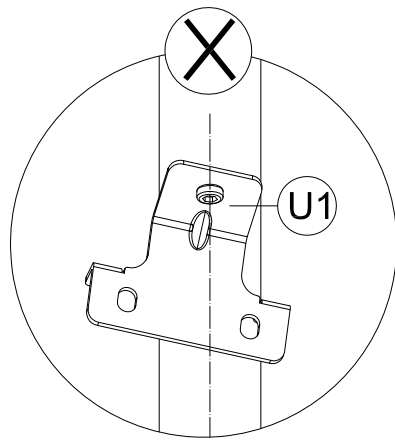
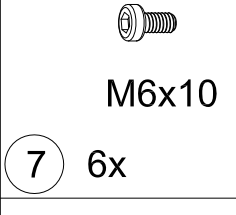
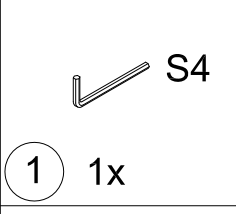
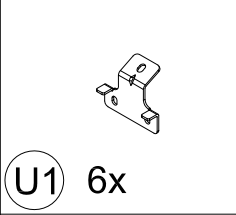
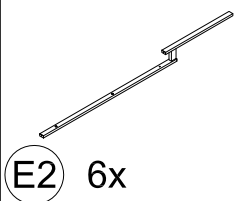
Outside View

ATTENTION: You can also finish this step on the ground and then lift 4 corner roof bars and inside roof connector to the top together. (Need 2 people and 2 ladders)

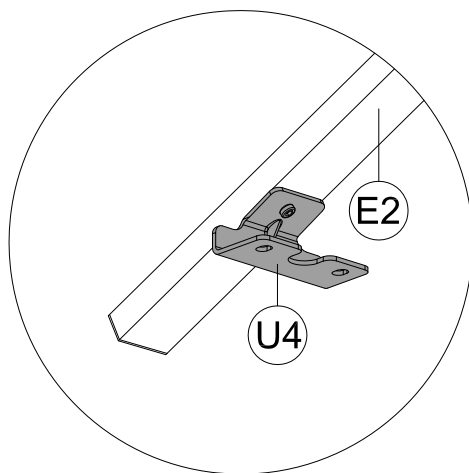
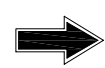
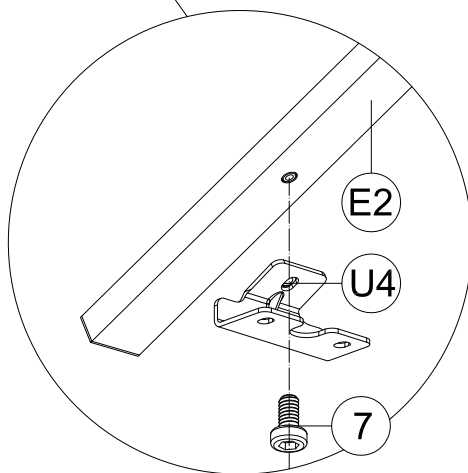
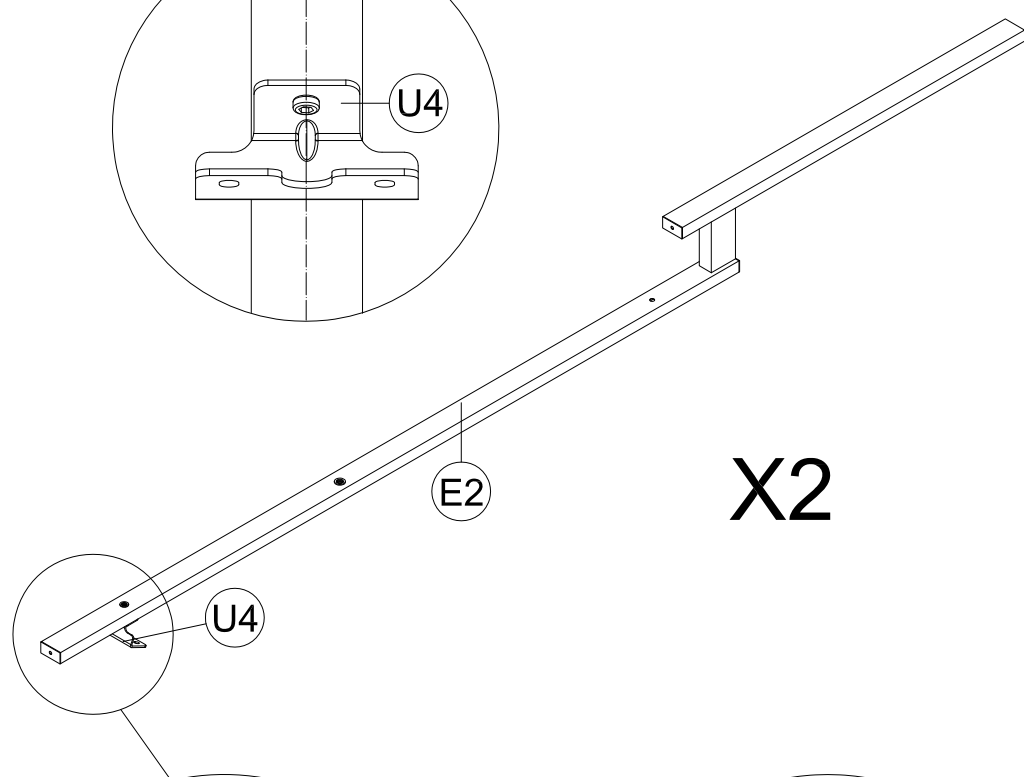
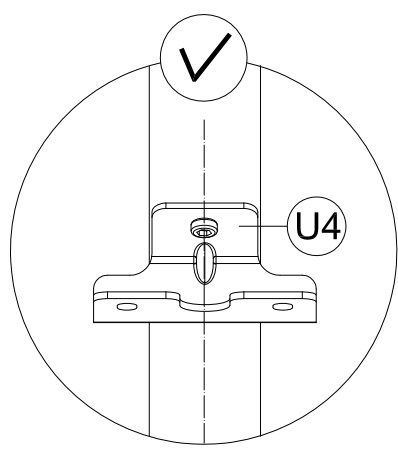
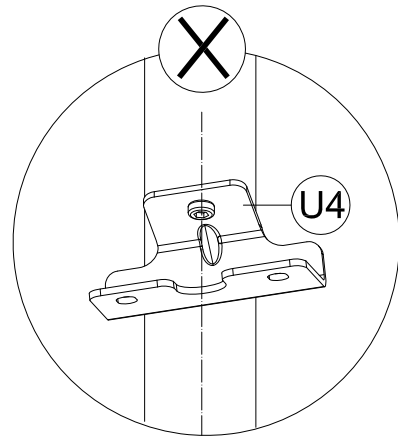
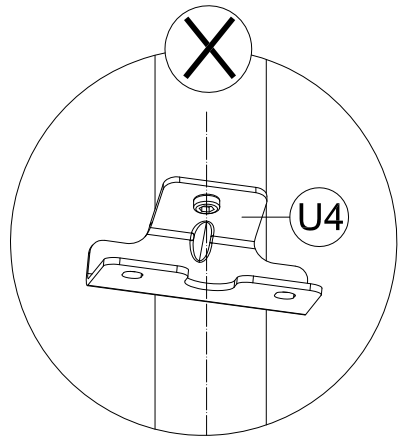
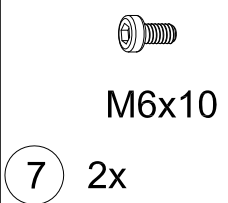
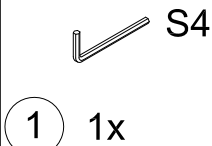
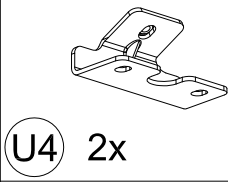
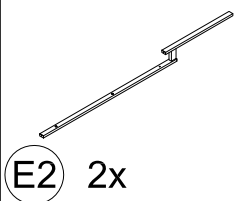


Outside View

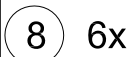
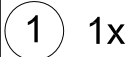
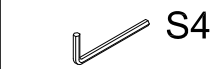
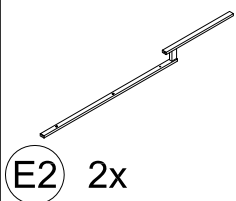
(2) Place 4 Part #E on 4 Part #A; secure with 8 Bolts #8.



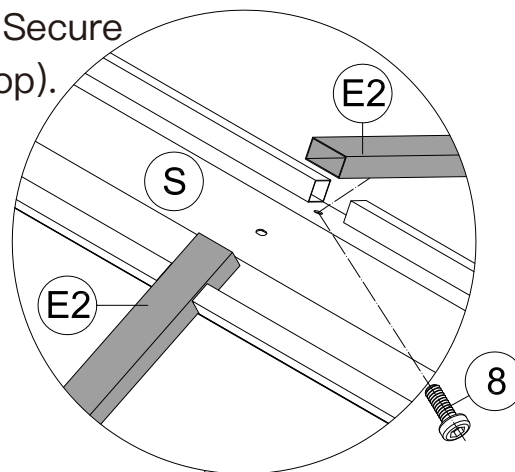
(1) Attach Part #U1 to Part #E2 with Bolt #7 .
(2) Repeat the above procedures to assemble the other 5 roof bars.



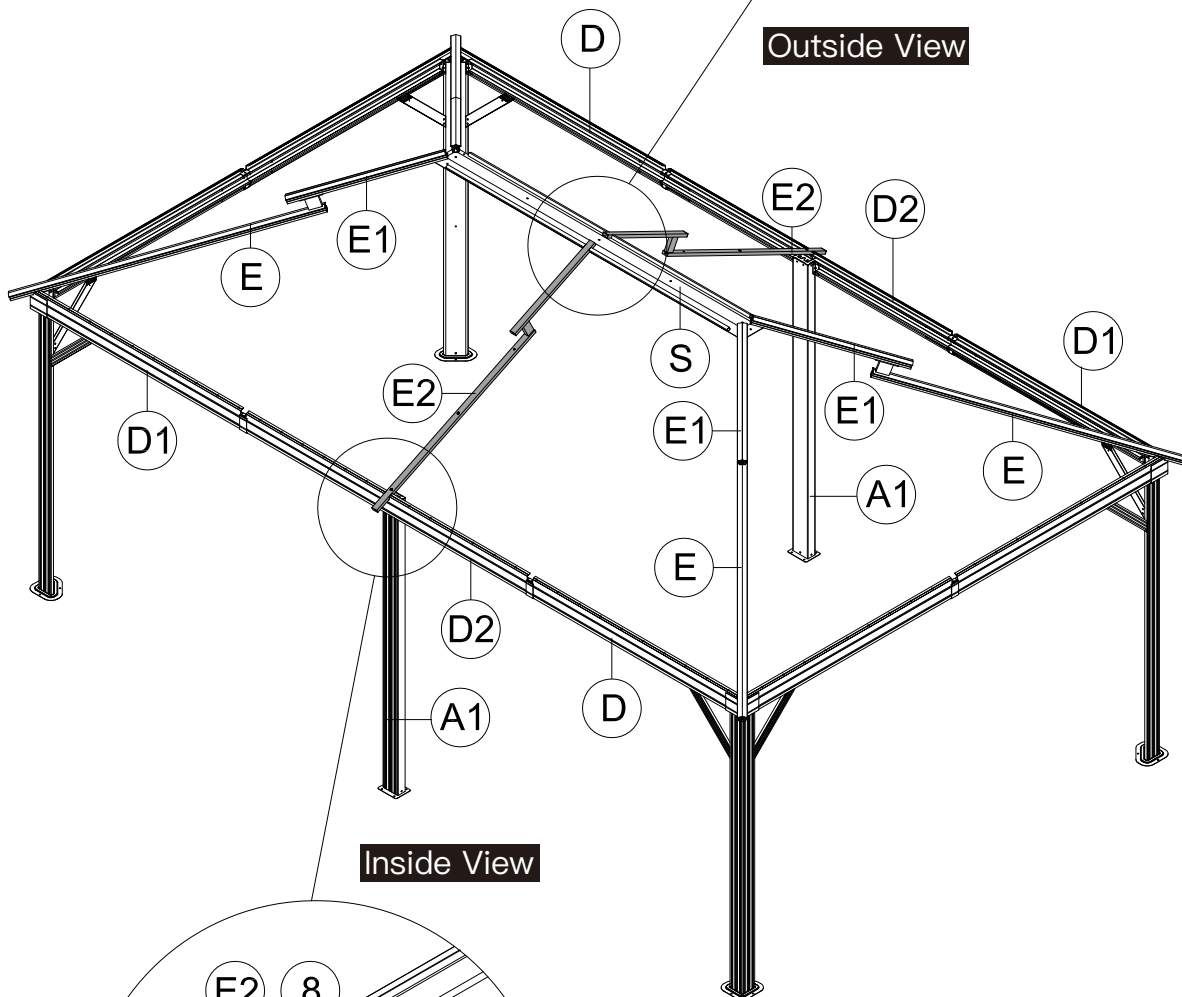
- (1) Attach Part #U4 to Part #E2 with Bolt #7 .
- (2) Repeat the above procedures to assemble another roof bar.



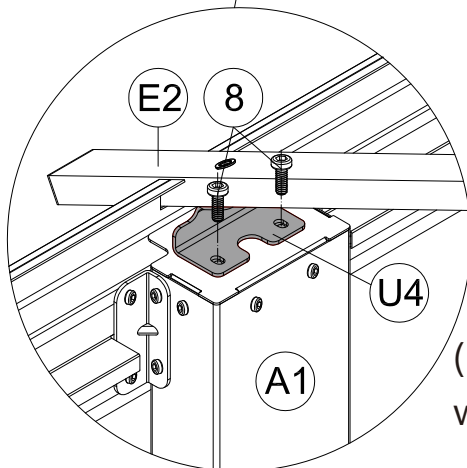
(1) Place Part #E2 on part #S. Secure with Bolt #8 (from bottom to top).



Outside View

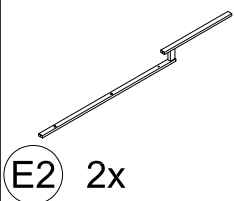


Inside View

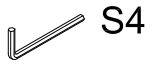


(2) Connect Part #E2 and Part A1 with part #U4. Secure with 2 Bolts #8.

(3) Repeat the above procedures to assemble the opposite side.



E2 2x



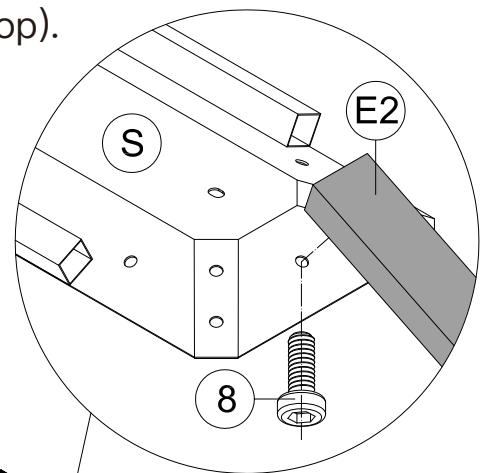
1 1x



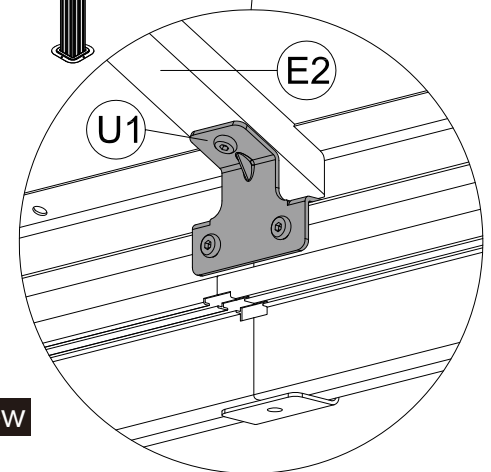
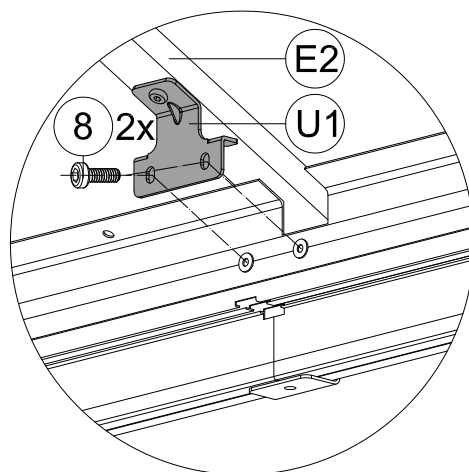
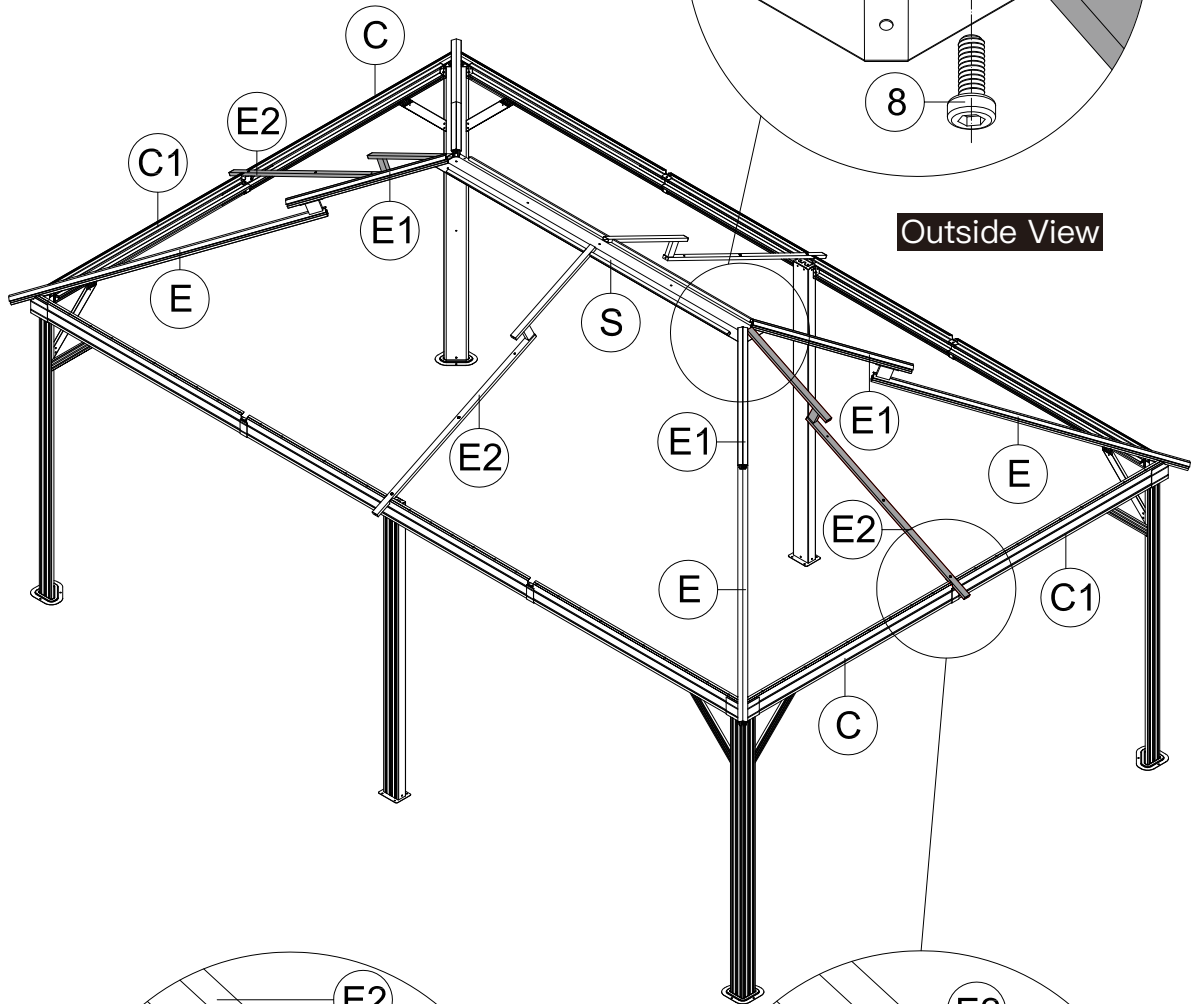
M6x16

8 6x

(1) Place Part #E2 on Part #S.
Secure with Bolt #8 (from bottom to top).



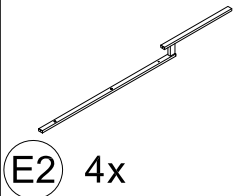
Outside View



Inside View

(2) Connect Part #E2 and the Assembled Beam (C&C1) with
part #U1. Secure with 2 Bolts #8.

(3) Repeat the above procedures to assemble the opposite side.



E2 4x



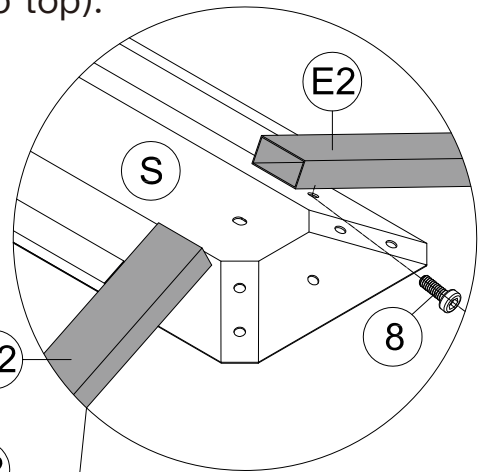
1 1x



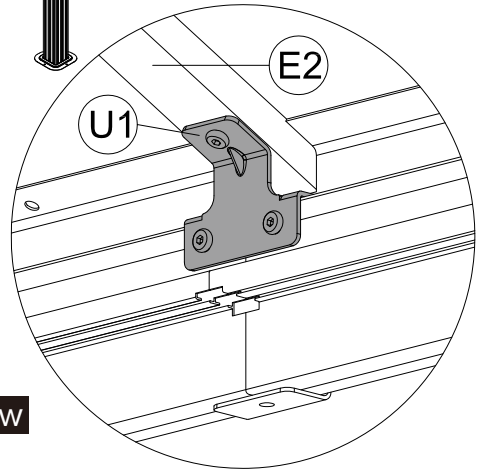
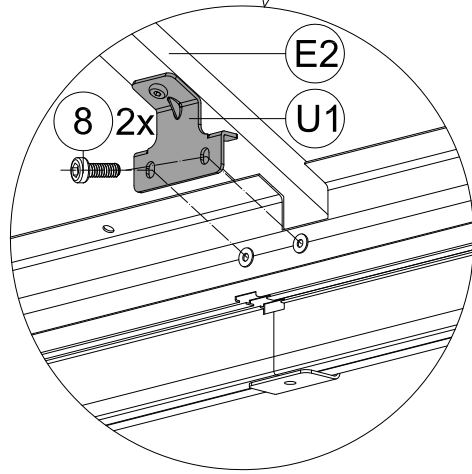
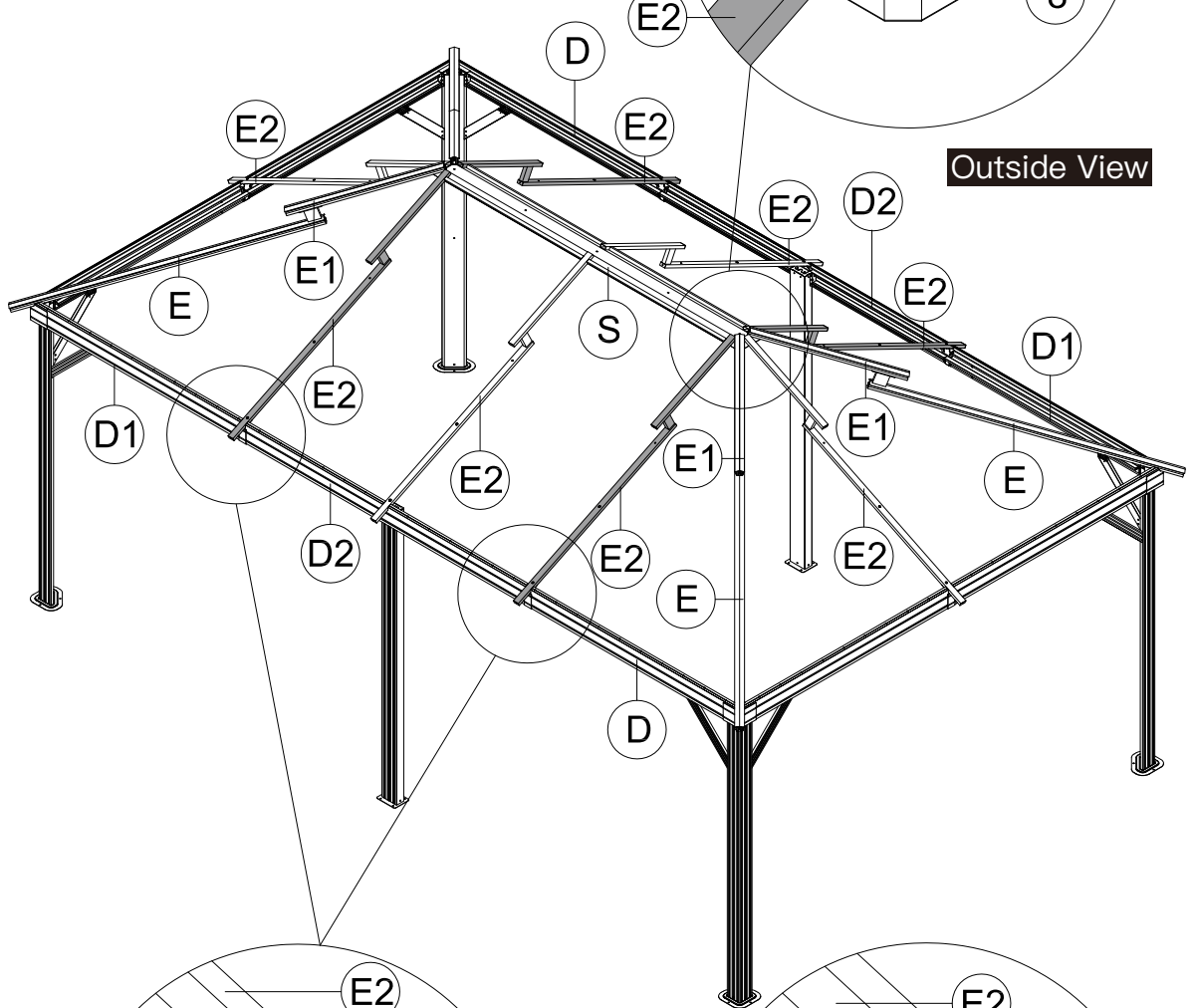
M6x16

8 12x

(1) Place Part #E2 on Part #S.
Secure with Bolts #8 (from bottom to top).



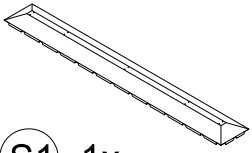
Outside View



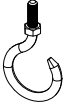
Inside View

(2) Connect Part #E2 and the Assembled Beam (D1&D2&D) with part #U1. Secure with 2 Bolts #8.

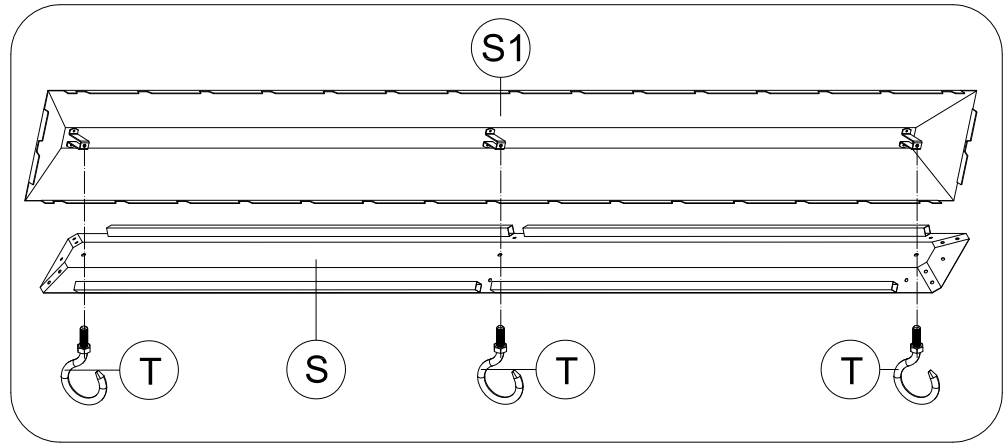
(3) Repeat the above procedures to assemble the opposite side.



(S1) 1x

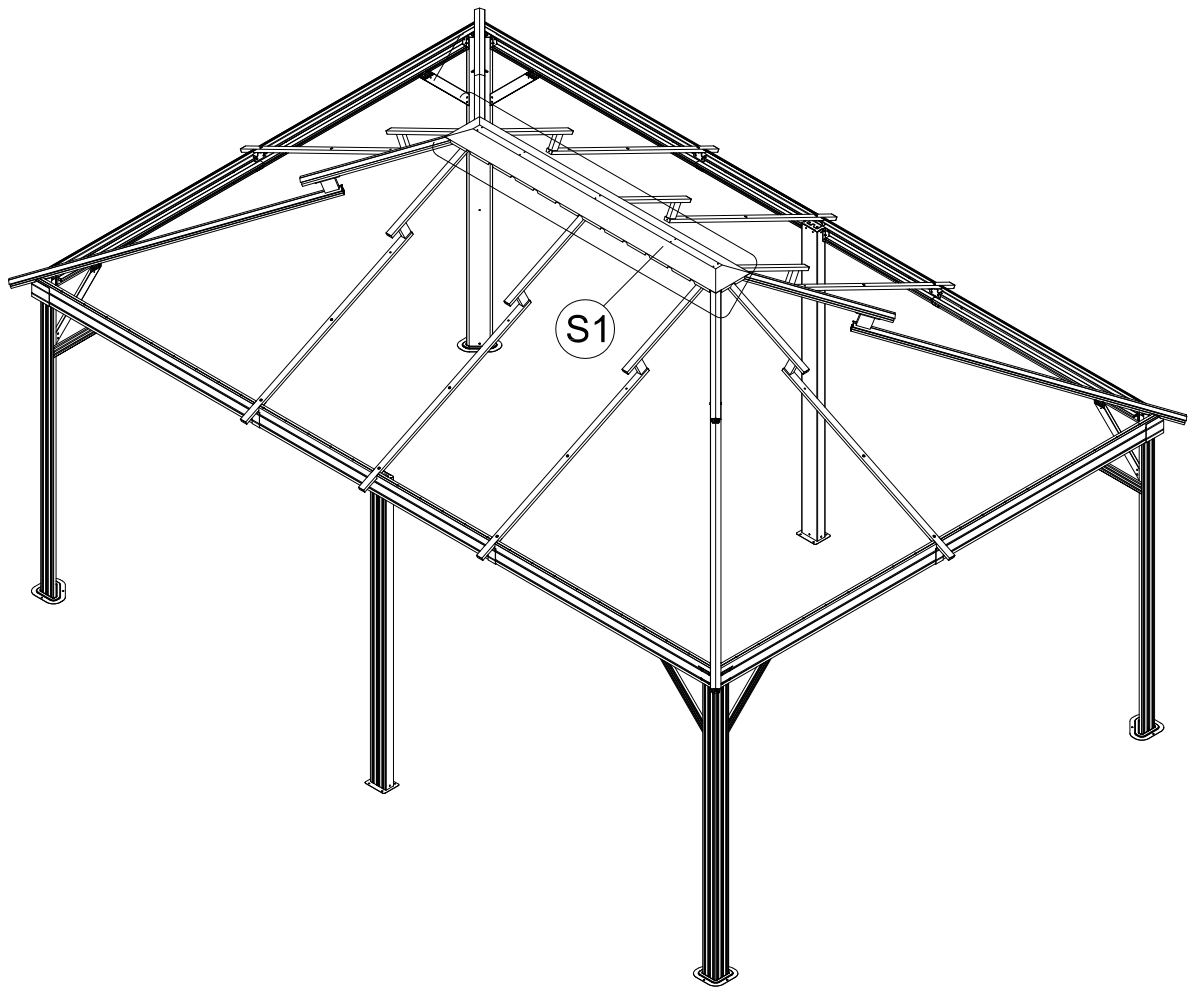


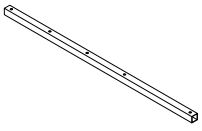
(T) 3x



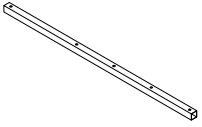
Secure 3 Part #T to Part #S and Part #S1. (From bottom to top)

ATTENTION: The holes of Part #S and Part #S1 need to be aligned, on the same vertical line.

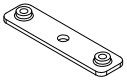




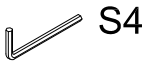
G1 2x



G2 2x



U3 6x



1 1x



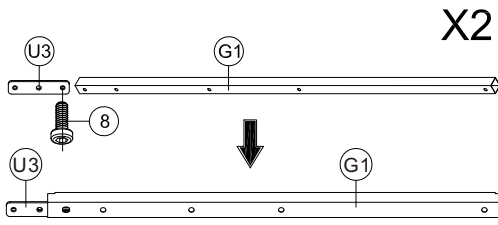
M6x10

7 6x

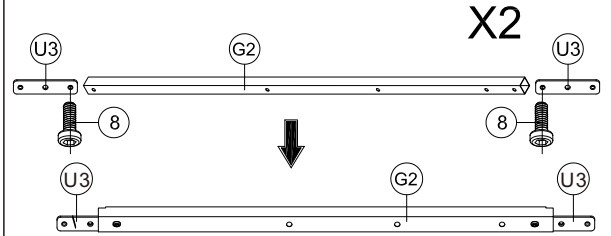


M6x16

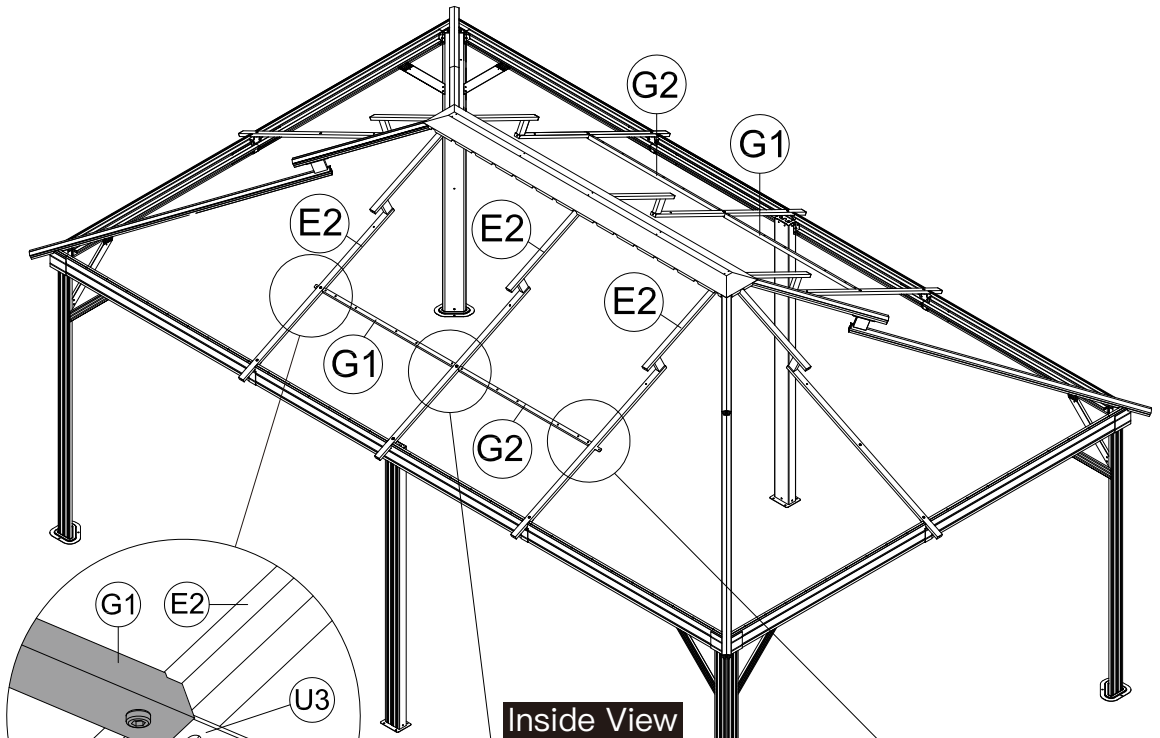
8 8x



(1) Insert Part #U3 into Part #G1 and secure with Bolt #8.



(2) Insert 2 Part #U3 into Part #G2 and secure with 2 Bolts #8.



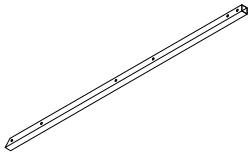
(3) Attach Part #G1 and Part #U3 to Part #E2 with Bolt #7.

(4) Attach Part #G2 and Part #U3 to Part #E2 with Bolt #7 and Bolt #8.

(5) Attach Part #G2 and Part #U3 to Part #E2 with Bolt #7.



(6) Repeat the above procedures to assemble the opposite side.



G 4x

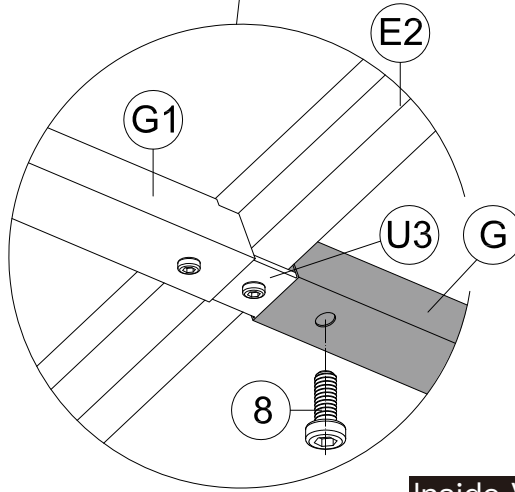
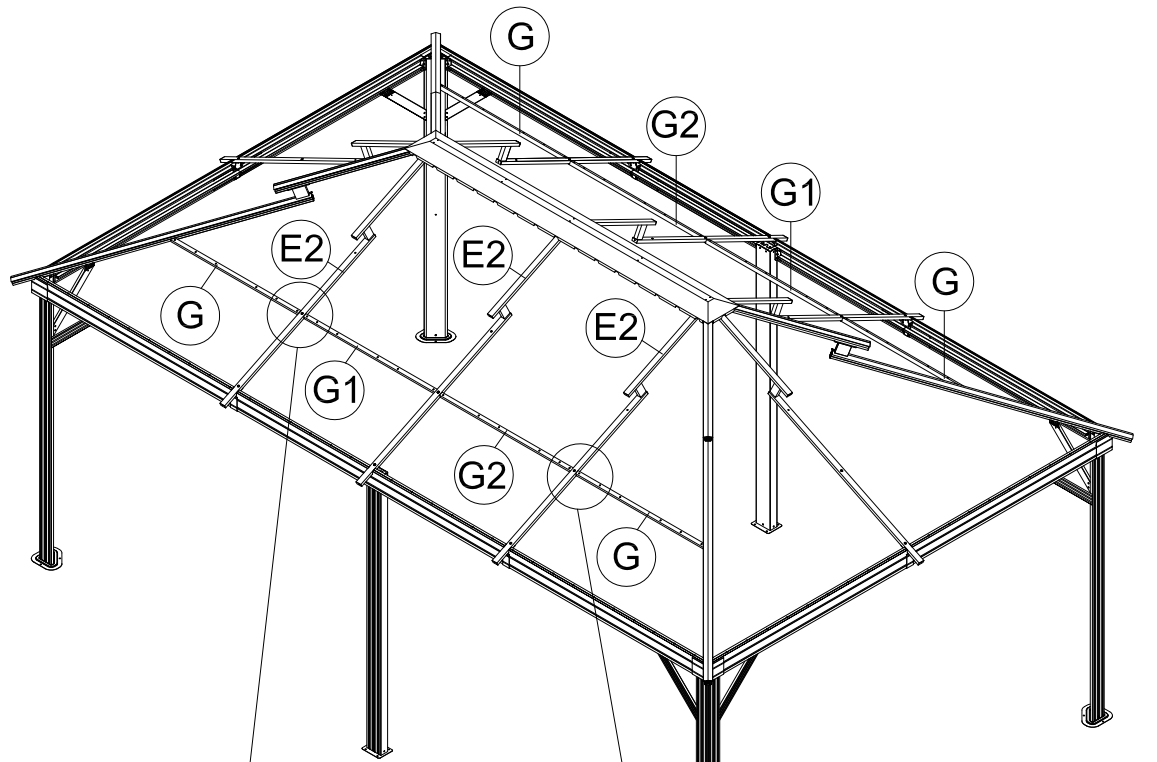


1 1x

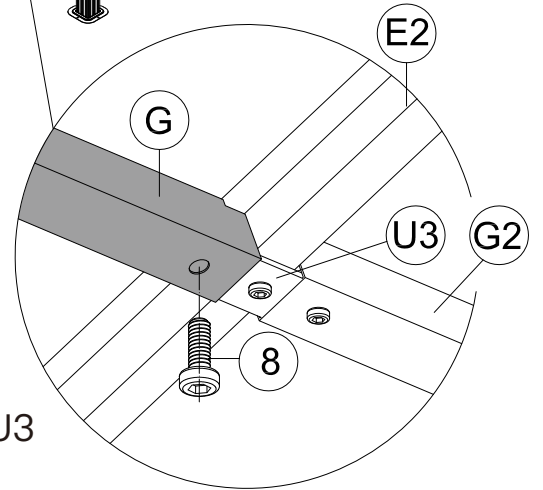


M6x16

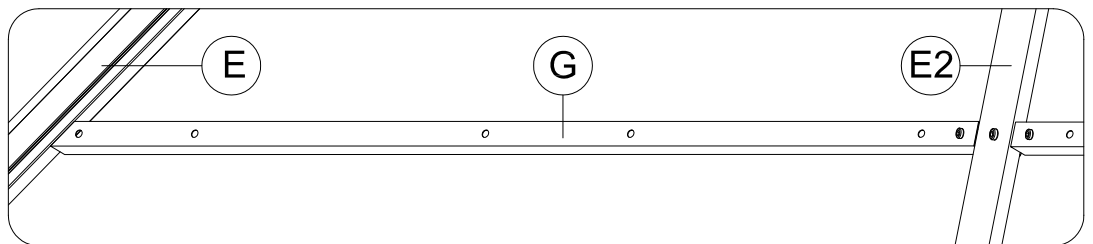
8 4x



Inside View

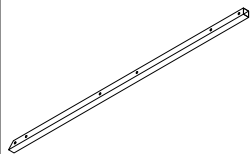


(1) Attach Part #G and Part #U3 to Part #E2 with Bolt #8

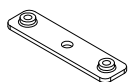


Outside View

(2) Repeat the above procedures to assemble the opposite side.



F 4x



U3 2x



1 1x



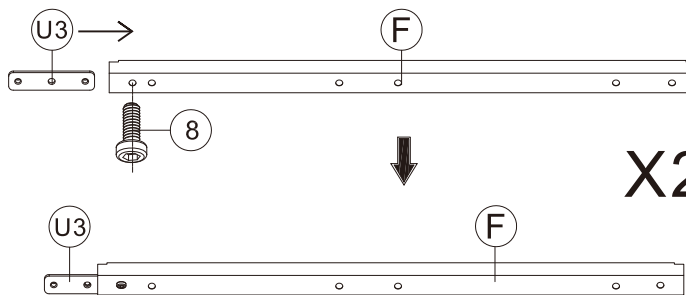
M6x10

7 2x

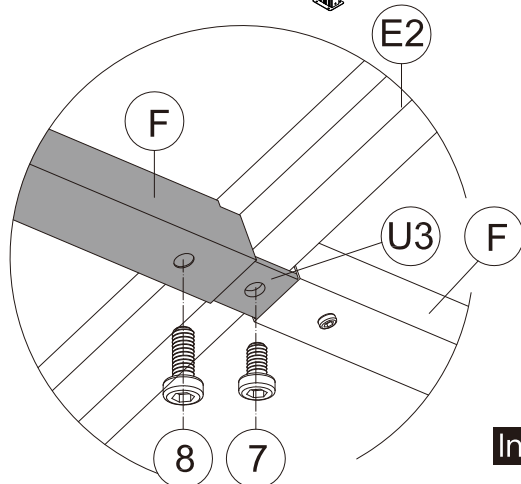
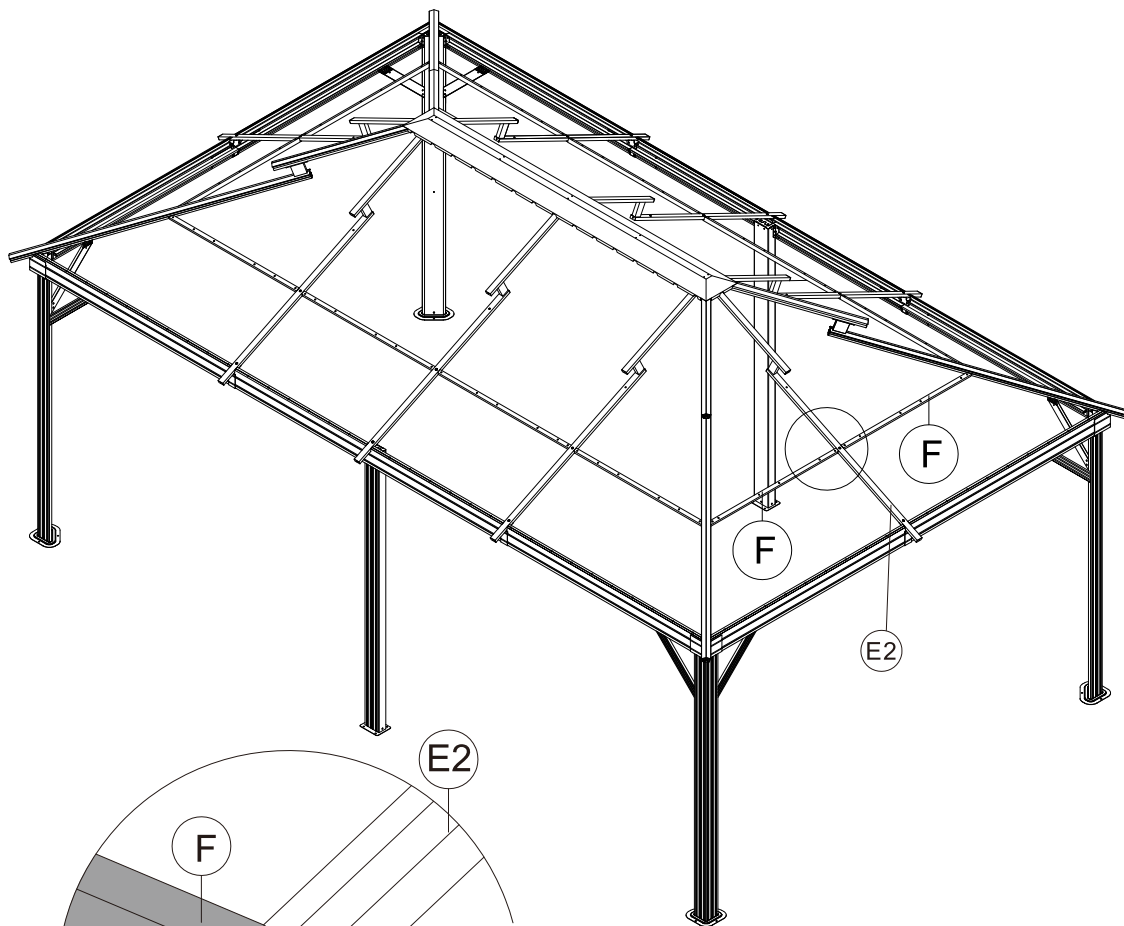


M6x16

8 4x

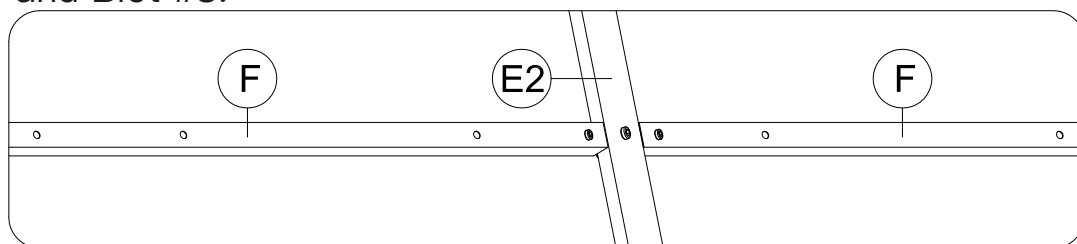


(1) Insert Part #U3 into Part #F and secure with Blot #8.



Inside View

(2) Attach 2 Part #F and Part #U3 to Part #E2 with Blot #7 and Blot #8.

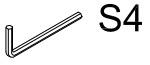


Outside View

(3) Repeat the above procedures to assemble the opposite side.



U2 4x

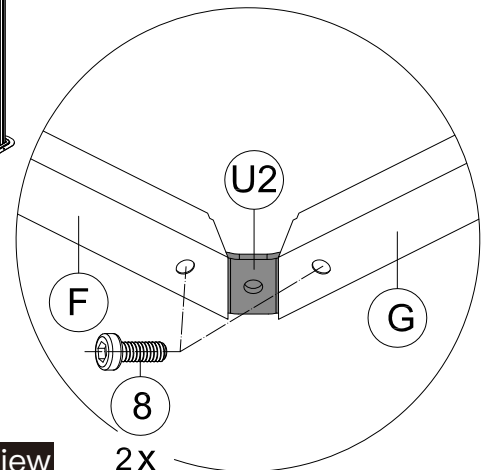
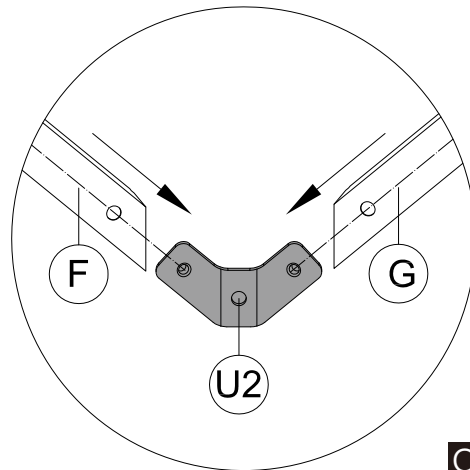
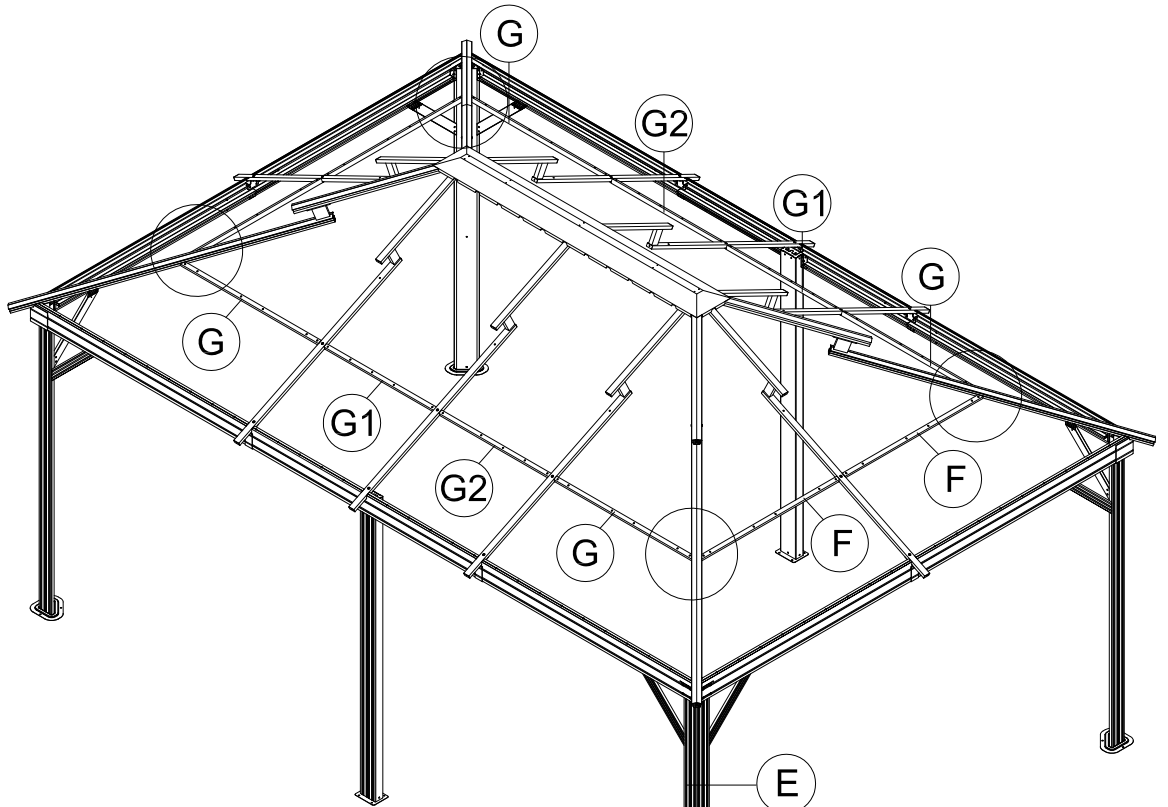


1 1x



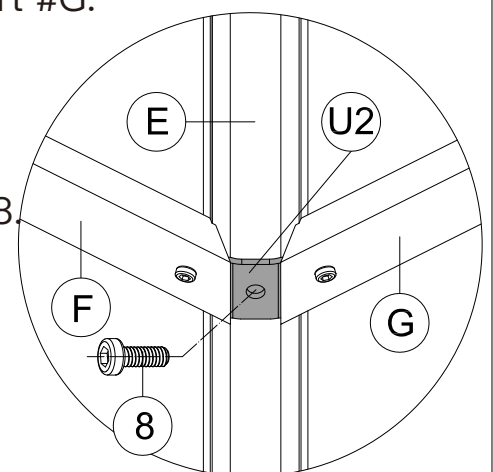
M6x16

8 12x



Outside View

2x




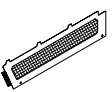
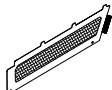
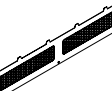






(1) Insert Part #U2 into Part #F and Part #G.

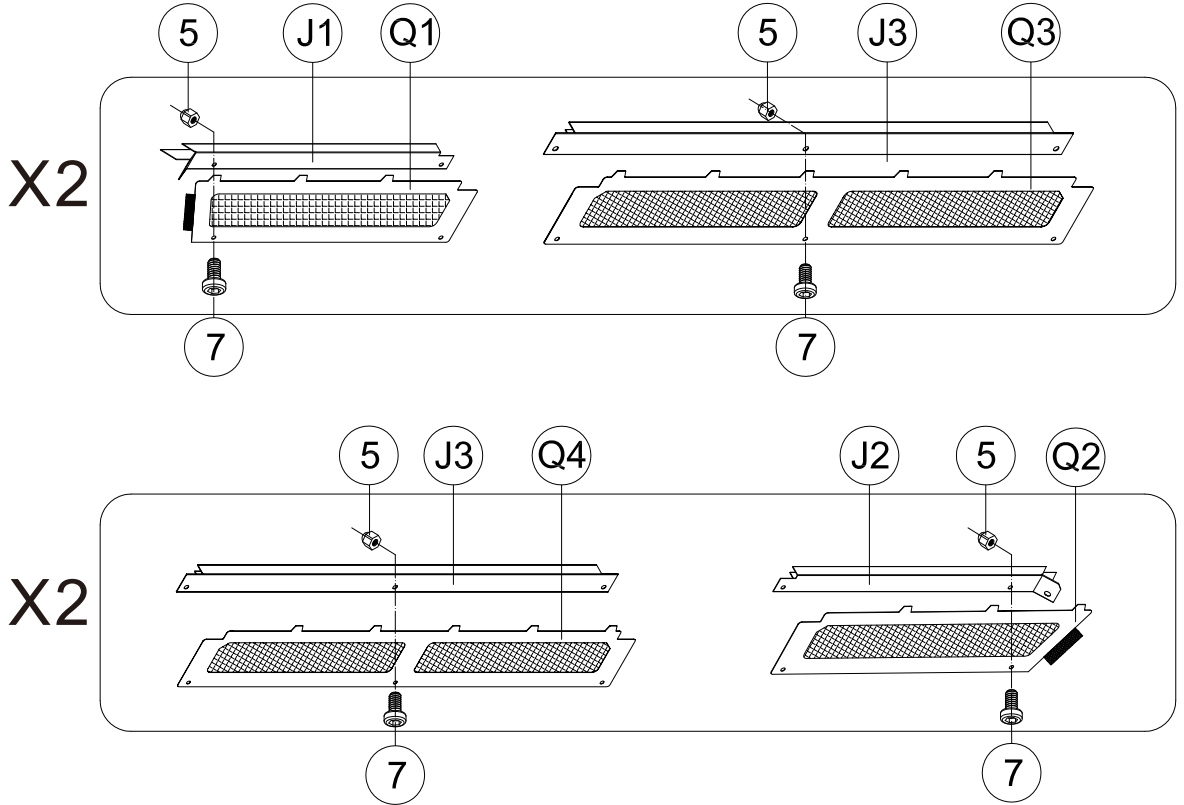
(2) Secure with 2 Bolts #8.

(3) Secure them to Part #E with Bolt #8.

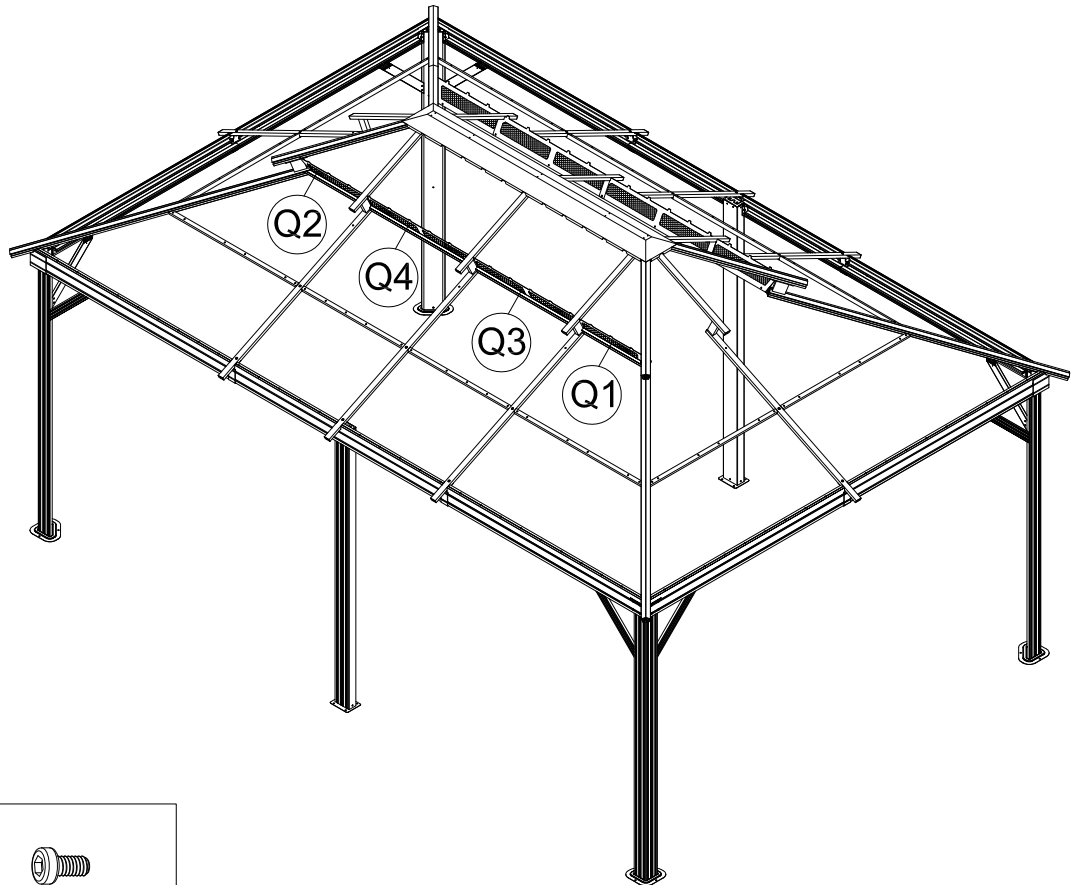
(4) Repeat the above procedures to assemble the other 3 sides.


	J1 2x
	J2 2x
	J3 4x
	Q1 2x
	Q2 2x
	Q3 2x
	Q4 2x
 	S4 1x
	M6 5 8x
31	

- (1) Connect Part #J1 and Part #Q1 with 1 Bolt #7 and 1 Nut #5.
 (2) Connect Part #J3 and Part #Q3 with 1 Bolts #7 and 1 Nuts #5.

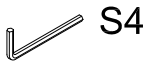


- (3) Connect Part #J3 and Part #Q4 with 1 Bolts #7 and 1 Nuts #5.
 (4) Connect Part #J2 and Part #Q2 with 1 Bolt #7 and 1 Nut #5.



	M6x10 7 8x
---	-----------------------------

- (5) Repeat the above procedures to assemble the opposite side.

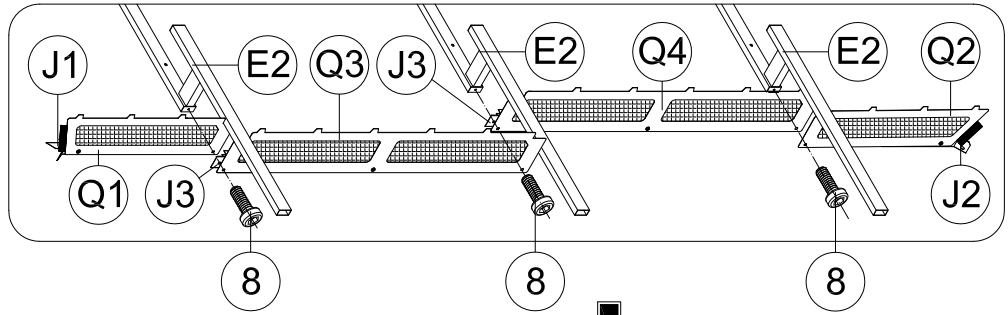


1 1x

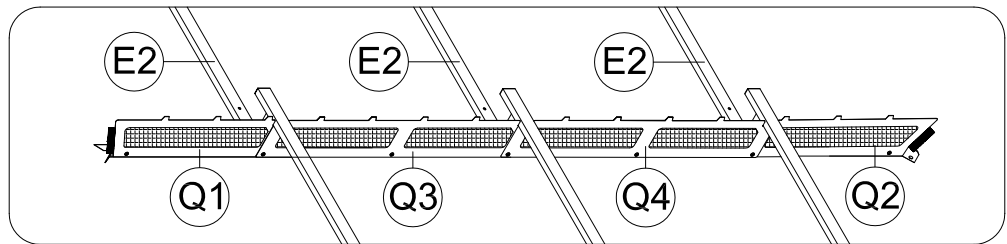


M6x16

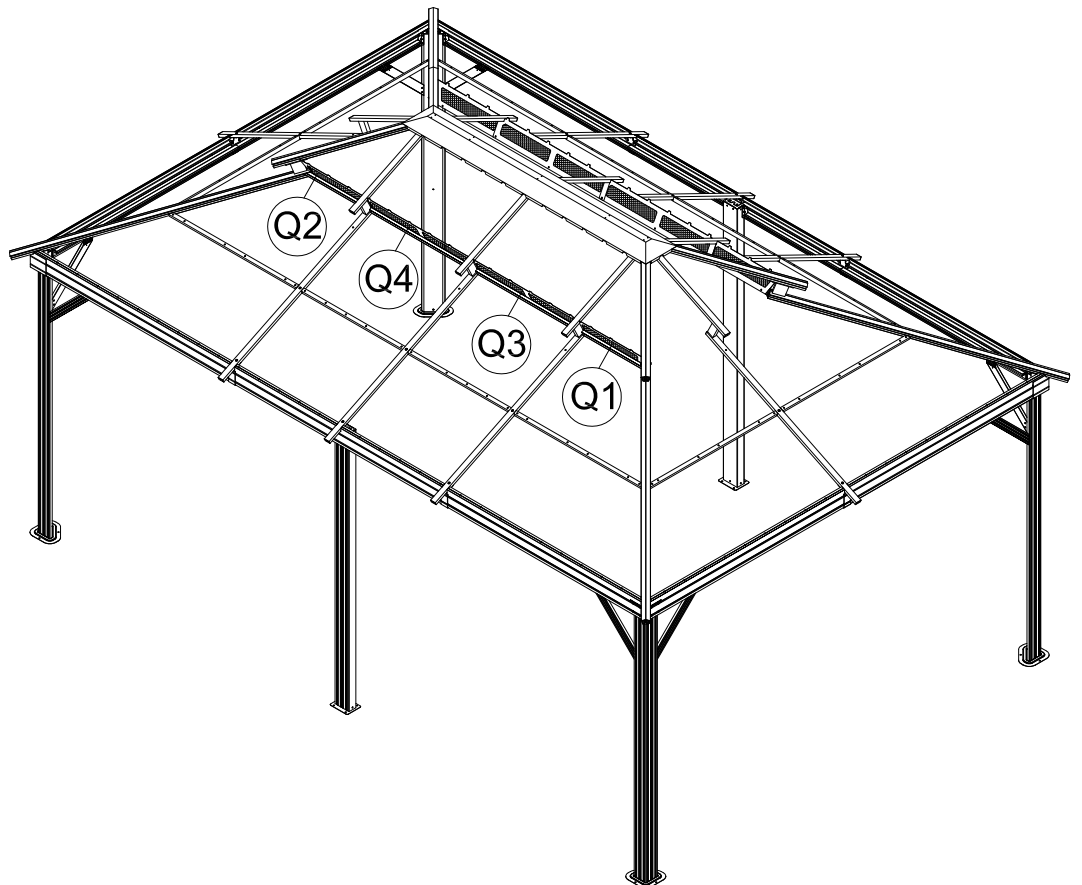
8 6x



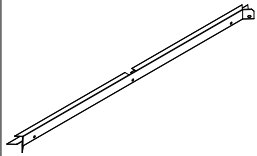
Inside View



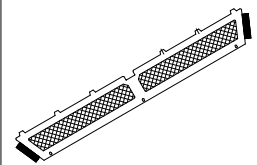
(1) Place the Assembled J1 & Q1, J3 & Q3, J3 & Q4 and J2 & Q2 on Part #E2, securing with 3 Bolts #8.



(2) Repeat the above procedures to assemble the opposite side.



J 2x



Q 2x



1 1x



M6

5 4x



M6x10

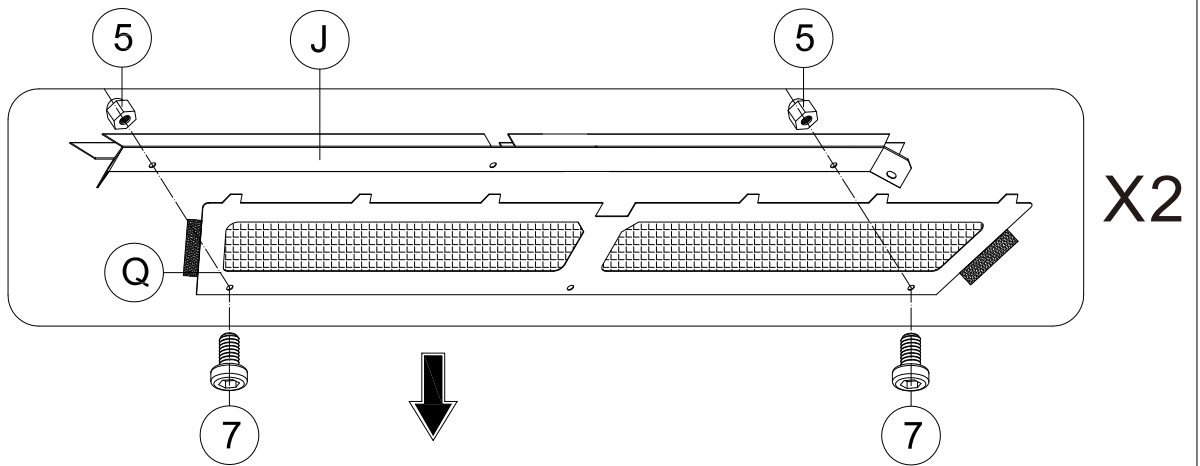
7 4x



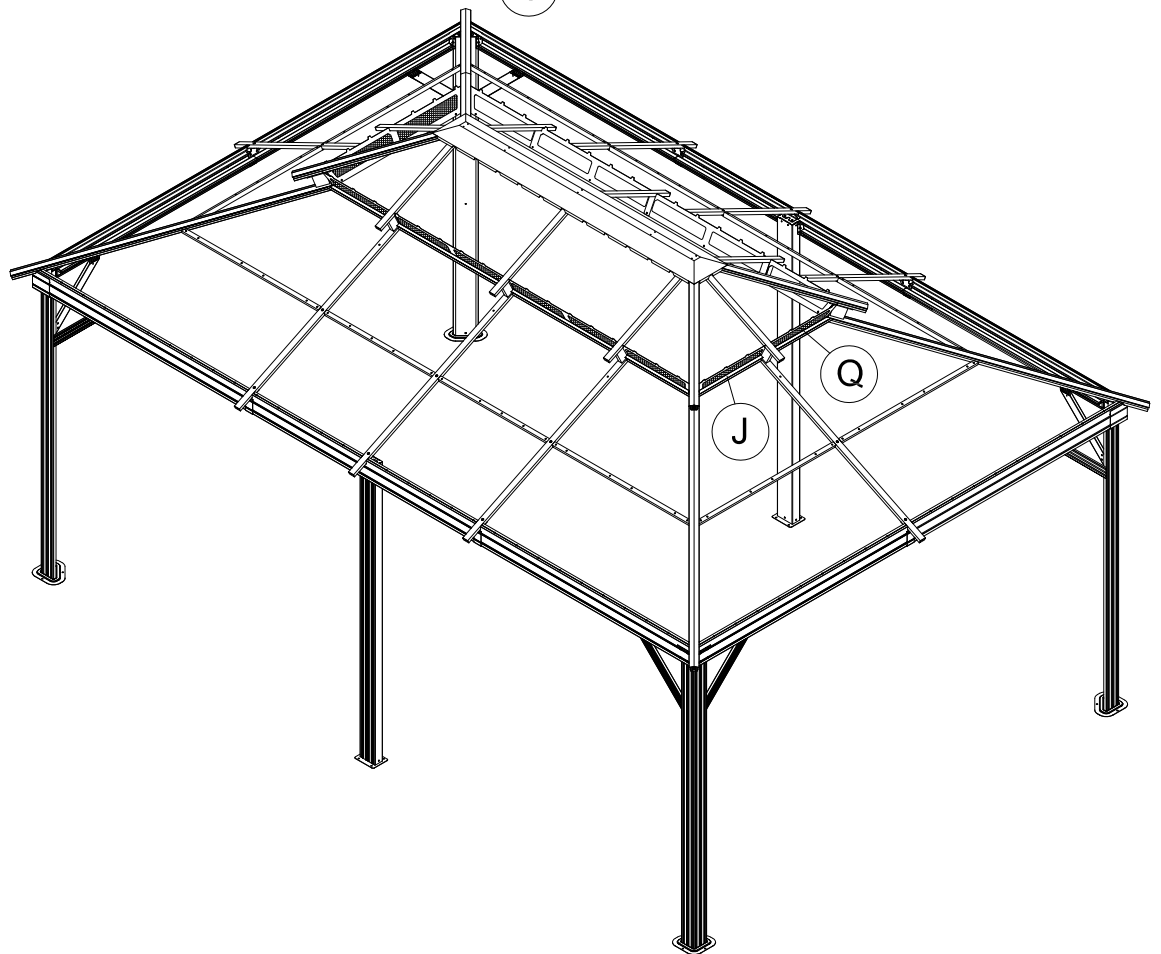
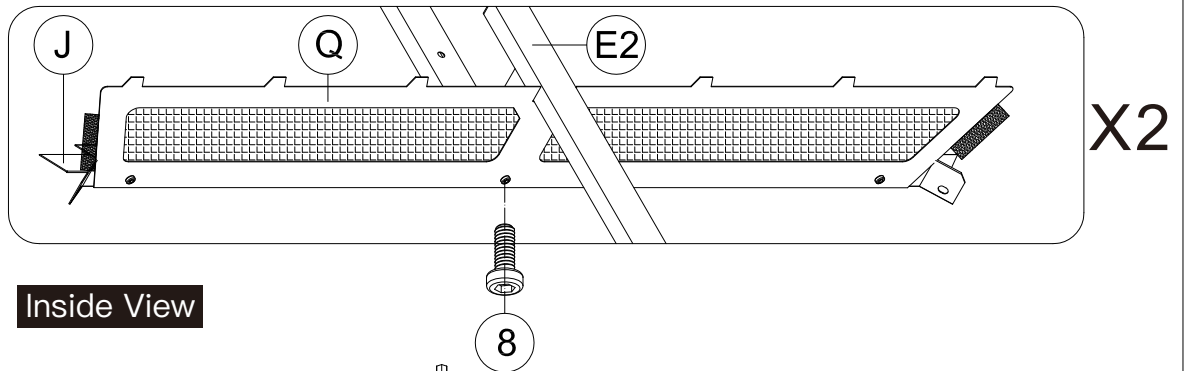
M6x16

8 2x

(1) Connect Part #J and Part #Q with 2 Bolts #7 and 2 Nuts #5.



(2) Place the Assembled Part #J & #Q on Part #E2, securing with 1 Bolt #8.



(3) Repeat the above procedures to assemble the opposite side.



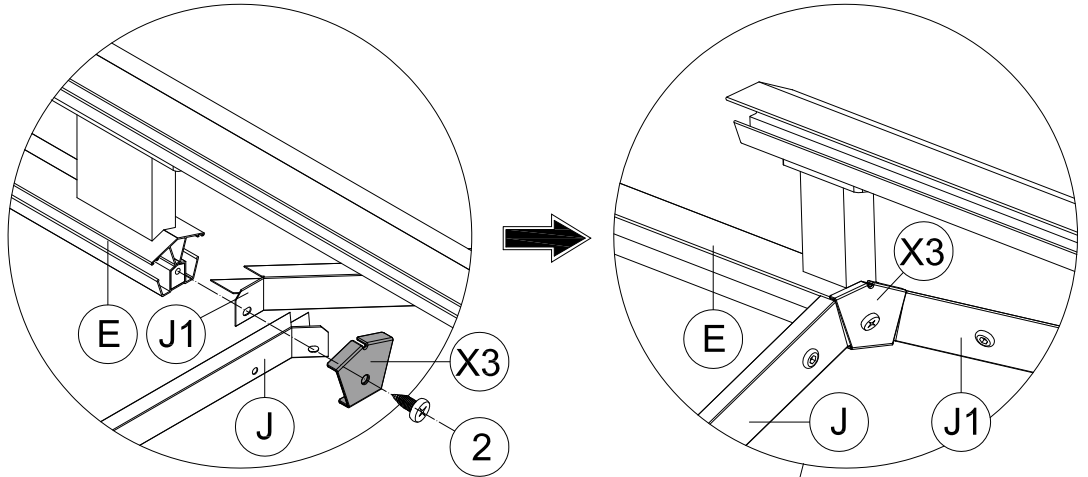
X3 4x



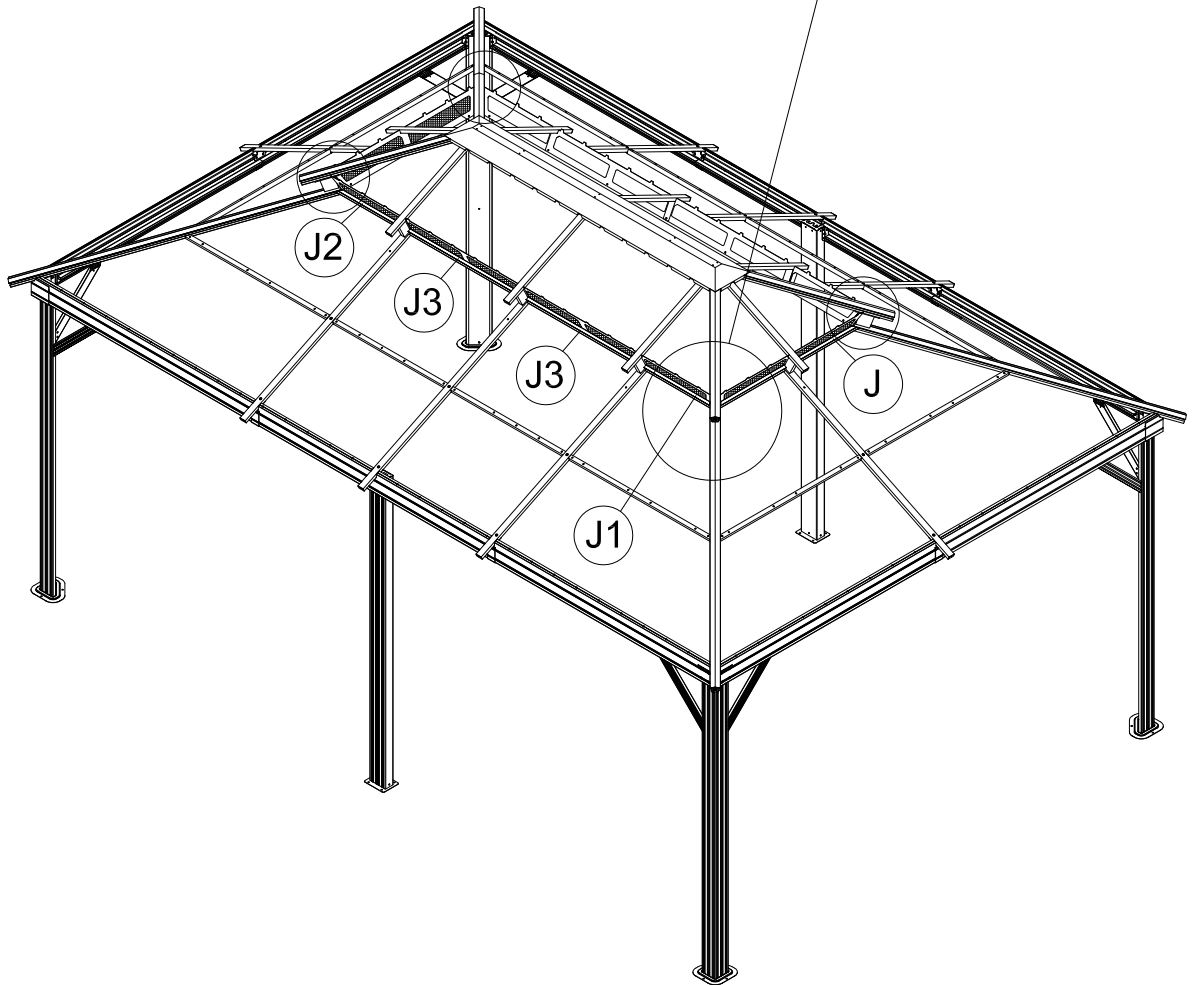
ST6.3x15

2 4x

(1) Place Part #J and Part #J1 on Part #E; put on Part #X3 and secure with Self-tapping Screw #2.



Inside View

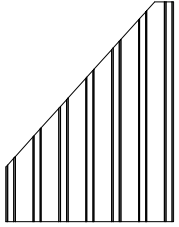


(2) Repeat the above procedures to assemble the other 3 corners.

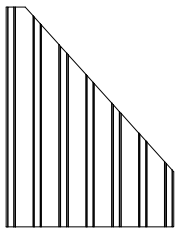
Cover Part #Z, #Z1 & #Z2 to Roof Panels.



(L1) 2x



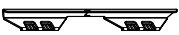
(L2) 2x



(L3) 2x



(L4) 2x



(Z) 8x



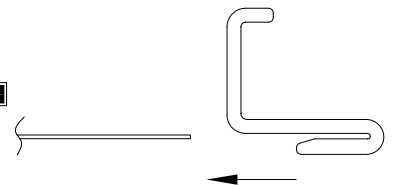
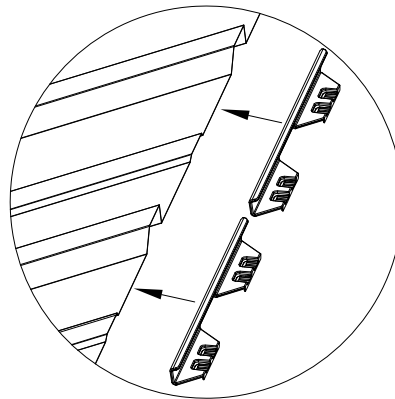
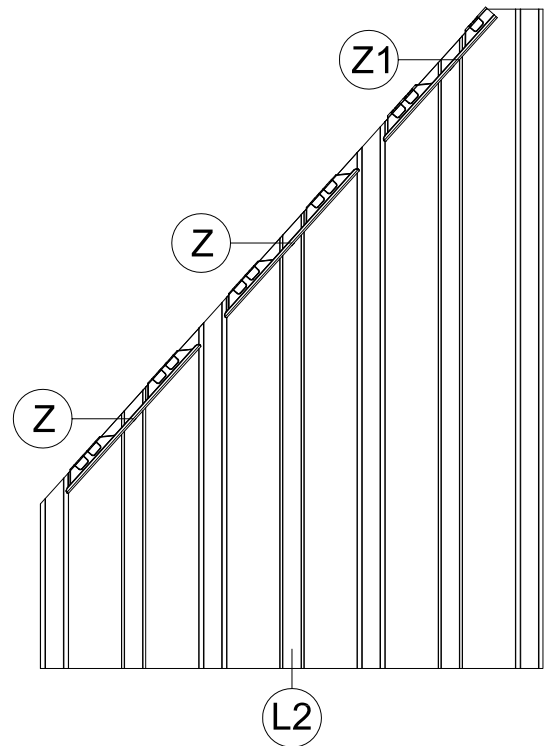
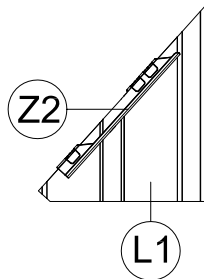
(Z1) 4x



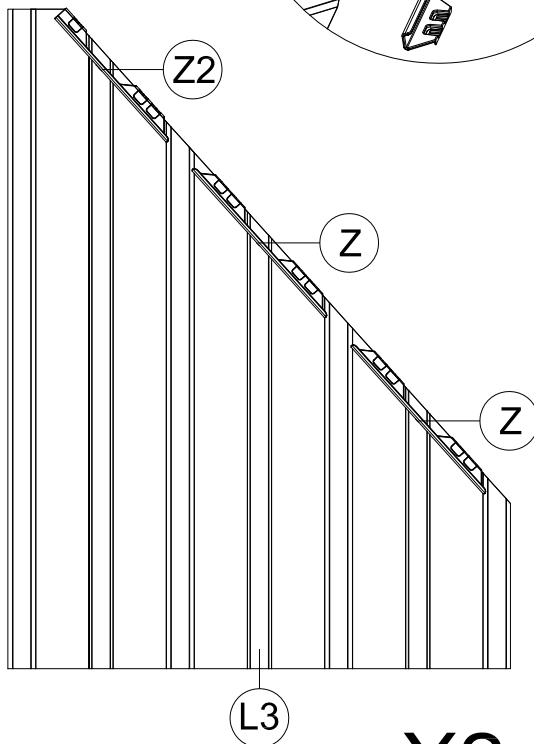
(Z2) 4x

35

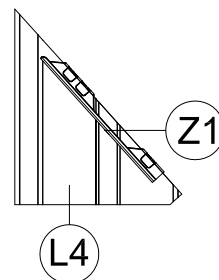
X2



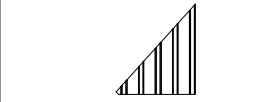
Section View



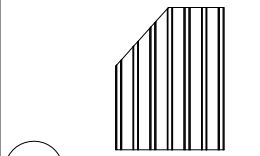
X2



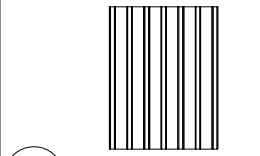
Cover Part #Z, #Z3 & #Z4 to Roof Panels.



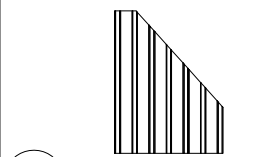
(N1) 2x



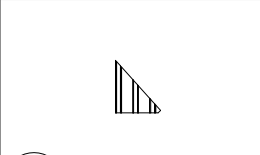
(N2) 2x



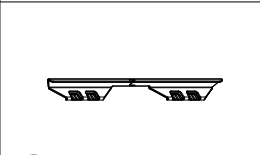
(N3) 6x



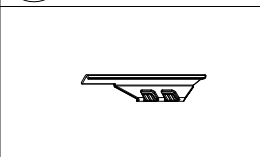
(N4) 2x



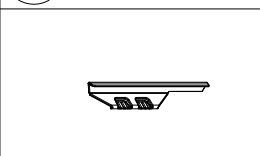
(N5) 2x



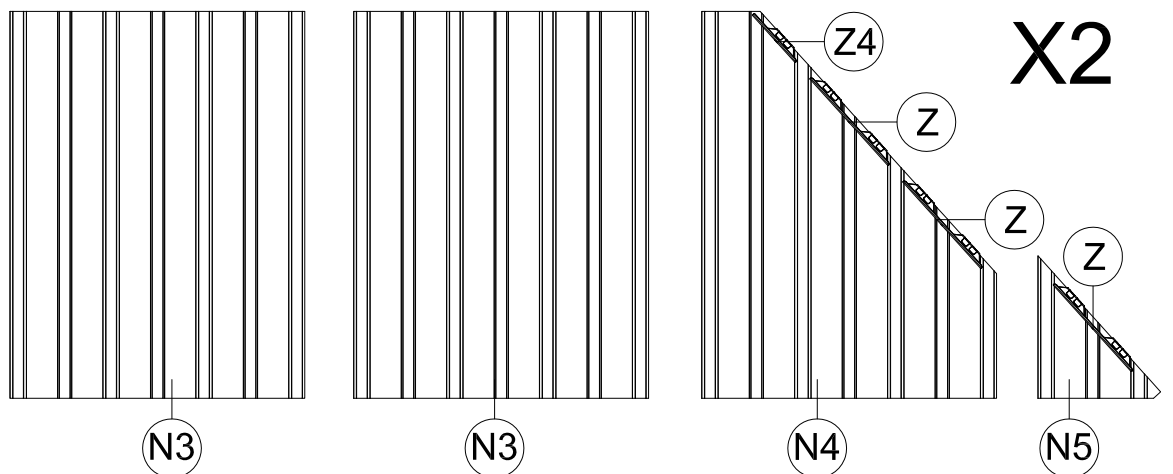
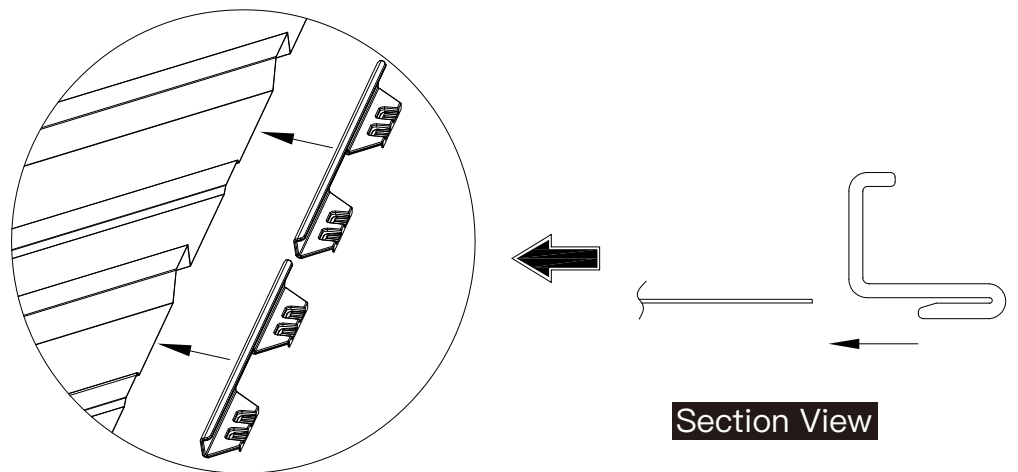
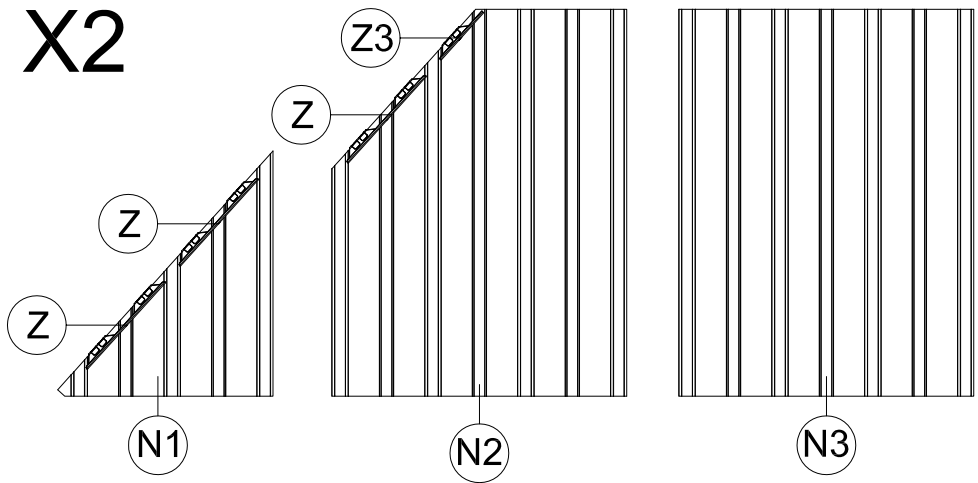
(Z) 12x



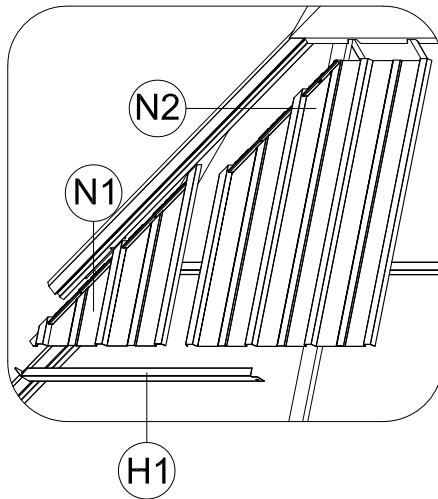
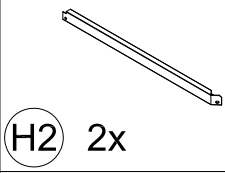
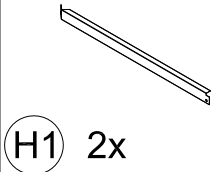
(Z3) 2x



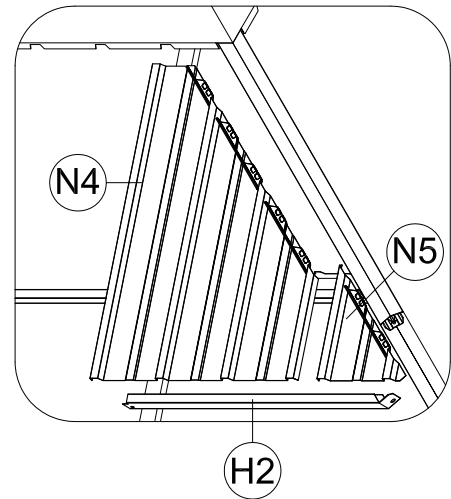
(Z4) 2x



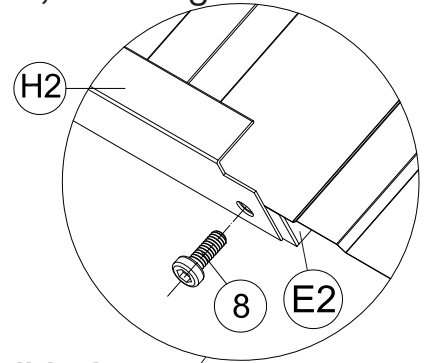
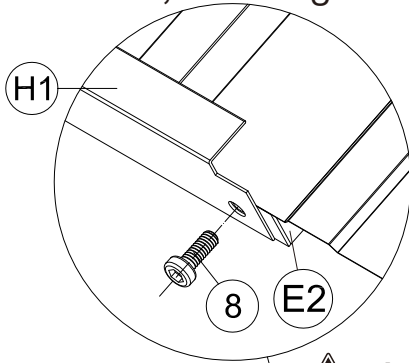
ATTENTION: The bigger roof panel need to cover the smaller one.



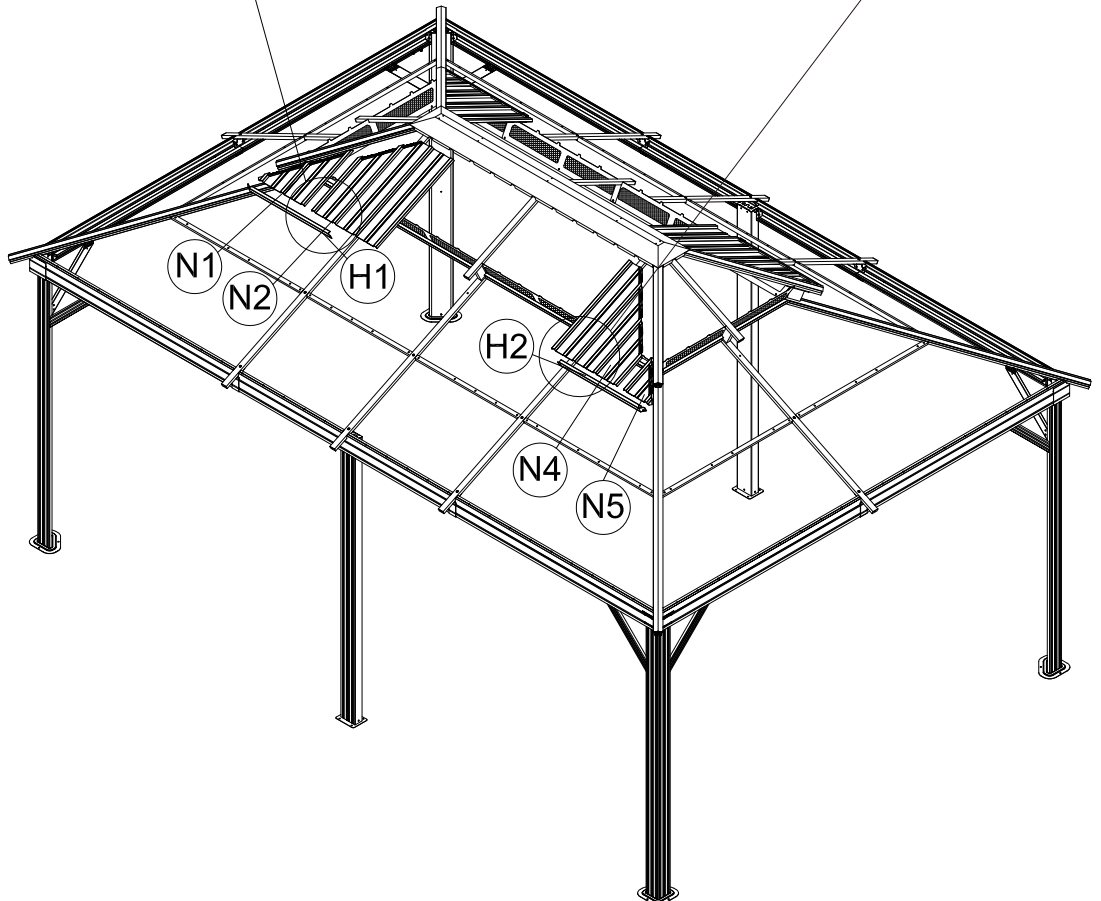
(1) Insert Part #N1 and Part #N2 into the frame; attach Part #H1 to Part #E2, securing with Bolt #8.



(2) Insert Part #N5 and Part #N4 into the frame; attach Part #H2 to Part #E, securing with Bolt #8.



⚠ Please don't tighten all bolts.

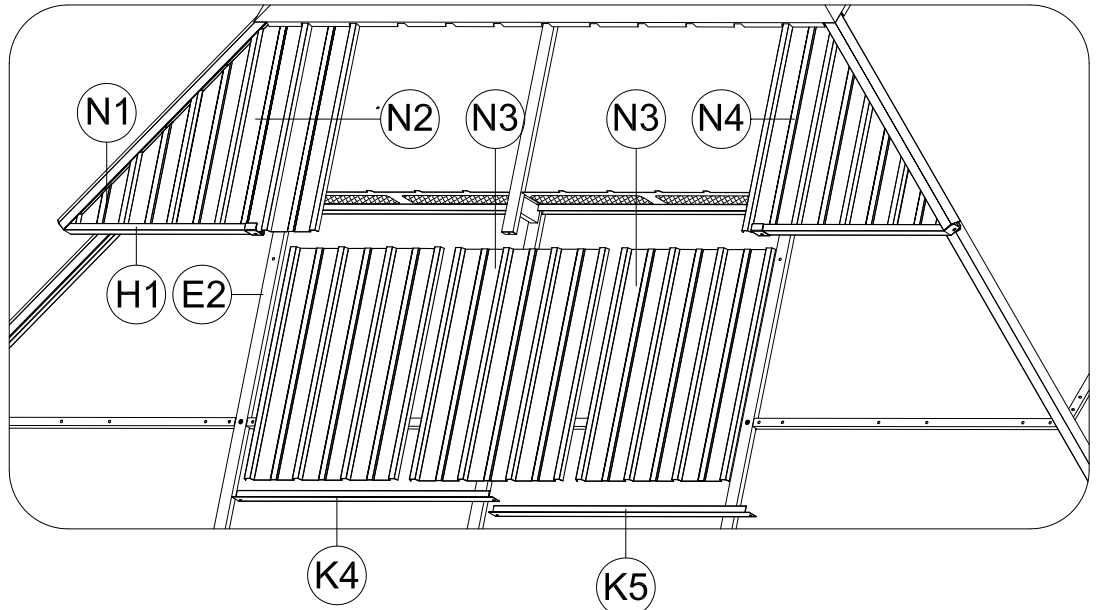


(3) Repeat the above procedures to assemble the opposite side.

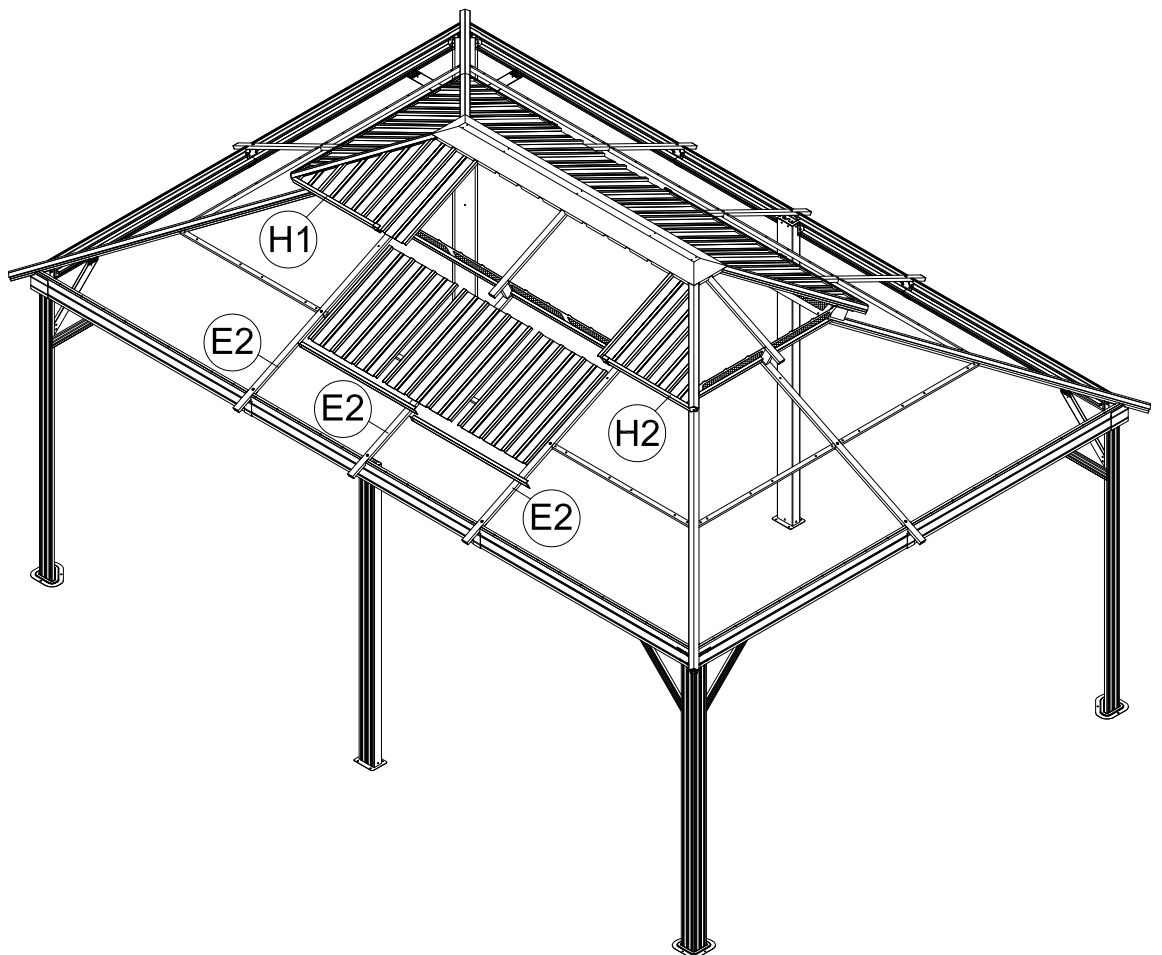
✓ S4

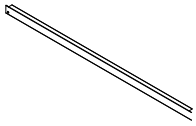
① 1x

(1) Insert 3 Part #N3 into the frame.

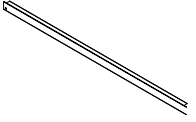


⚠ When installing Part #H1, K4, K5, H2, you should unscrew the bolt that have not been tightened.





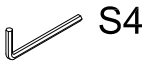
K4 2x



K5 2x



X2 6x

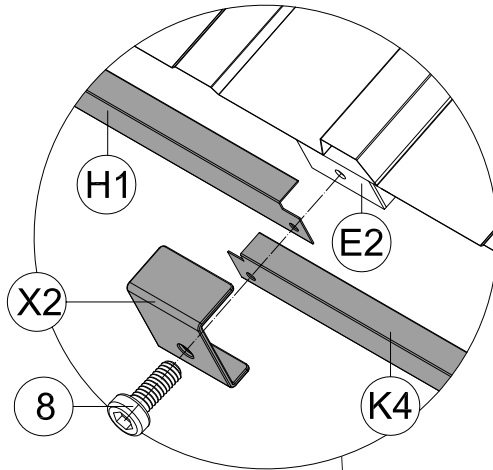


1 1x

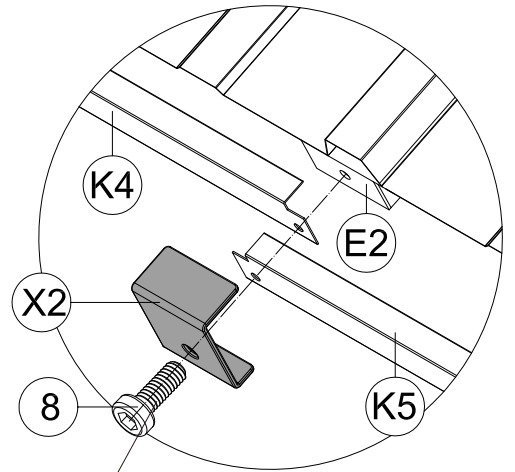


M6x16

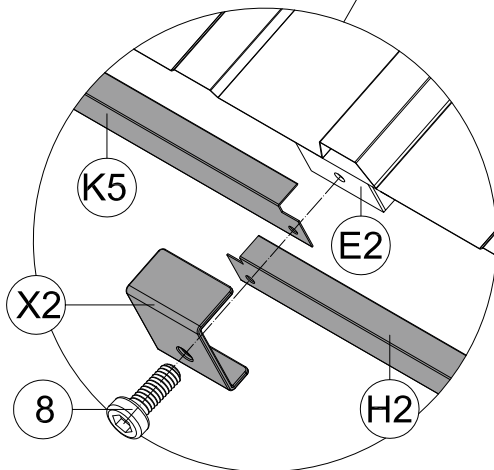
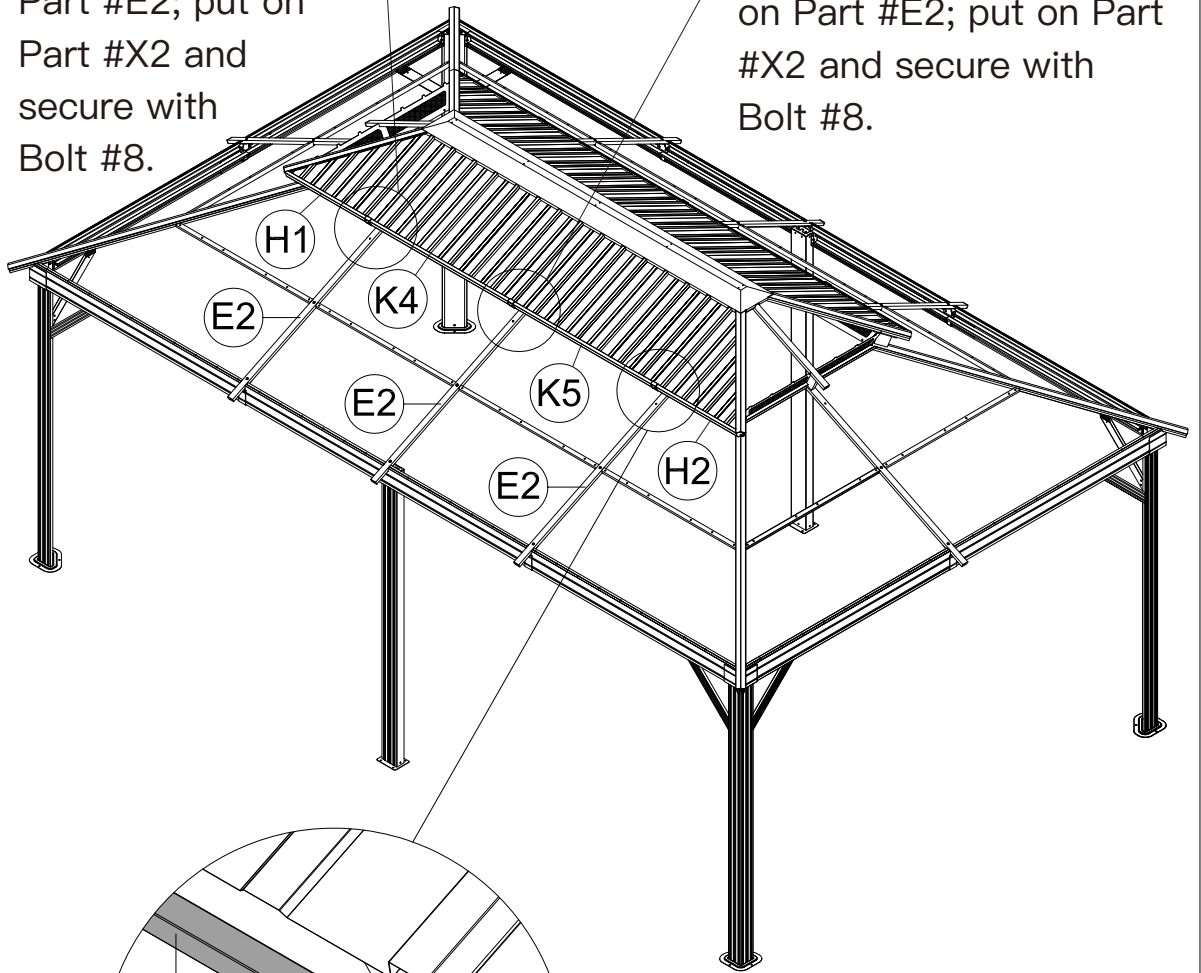
8 6x



(1) Place Part #H1 and Part #K4 on Part #E2; put on Part #X2 and secure with Bolt #8.



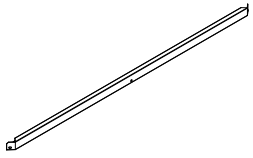
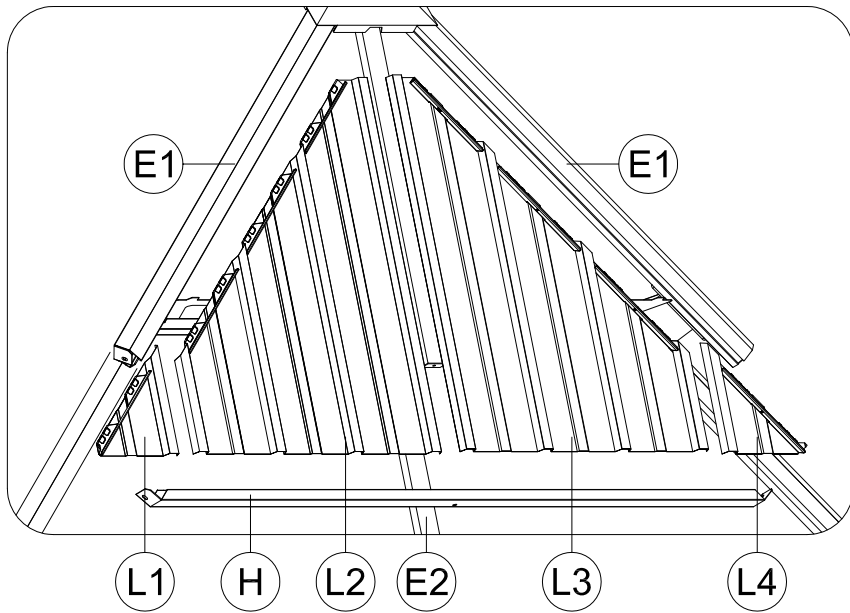
(2) Place Part #K4 & #K5 on Part #E2; put on Part #X2 and secure with Bolt #8.



(3) Place Part #K5 and Part #H2 on Part #E2; put on Part #X2 and secure with Bolt #8.

(4) Repeat the above procedures to assemble the opposite side.

ATTENTION: The bigger roof panel need to cover the smaller one.



(H) 2x



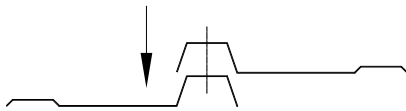
(1) 1x



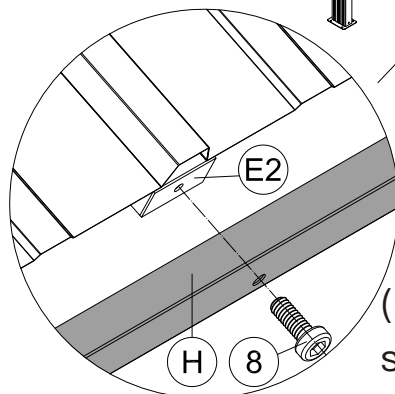
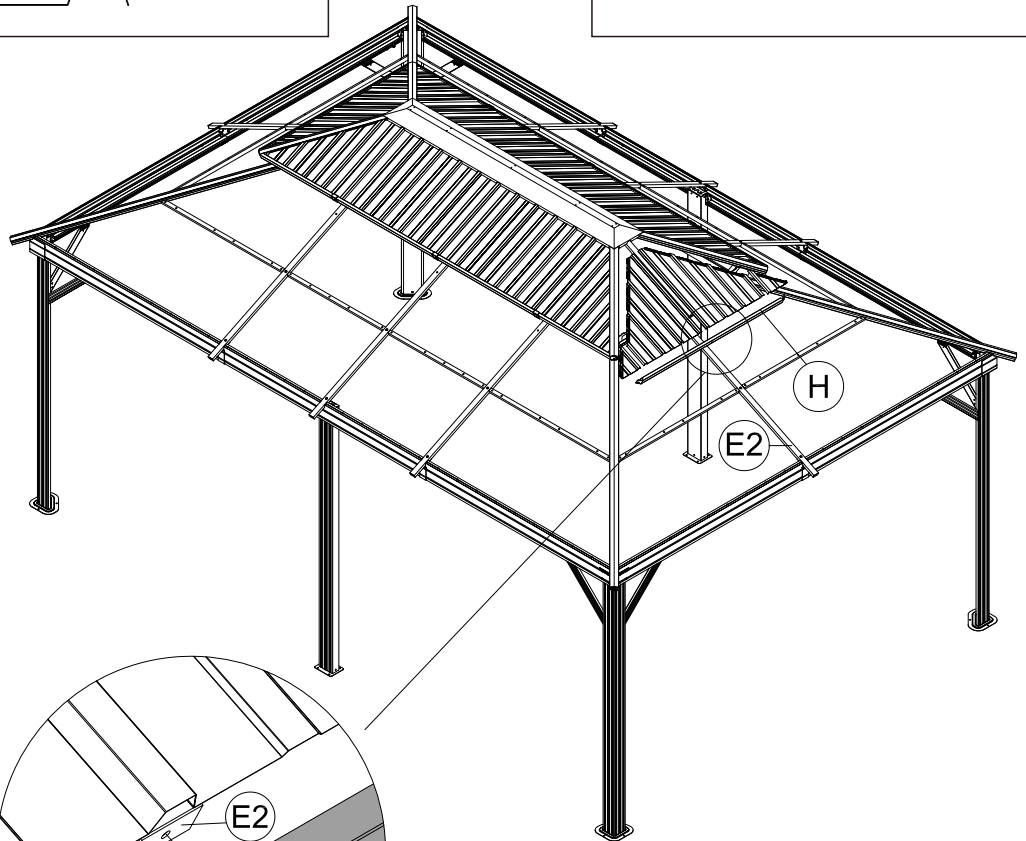
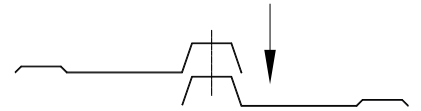
M6x16

(8) 2x

(1) Insert Part #L1 and Part #L2 into the frame.



(2) Insert Part #L4 and Part #L3 into the frame.



(3) Attach Part #H to Part #E2, securing with Bolt #8.

(4) Repeat the above procedures to assemble the opposite side.



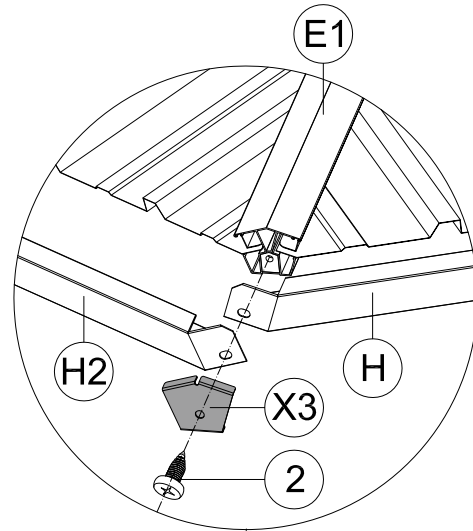
X3 4x



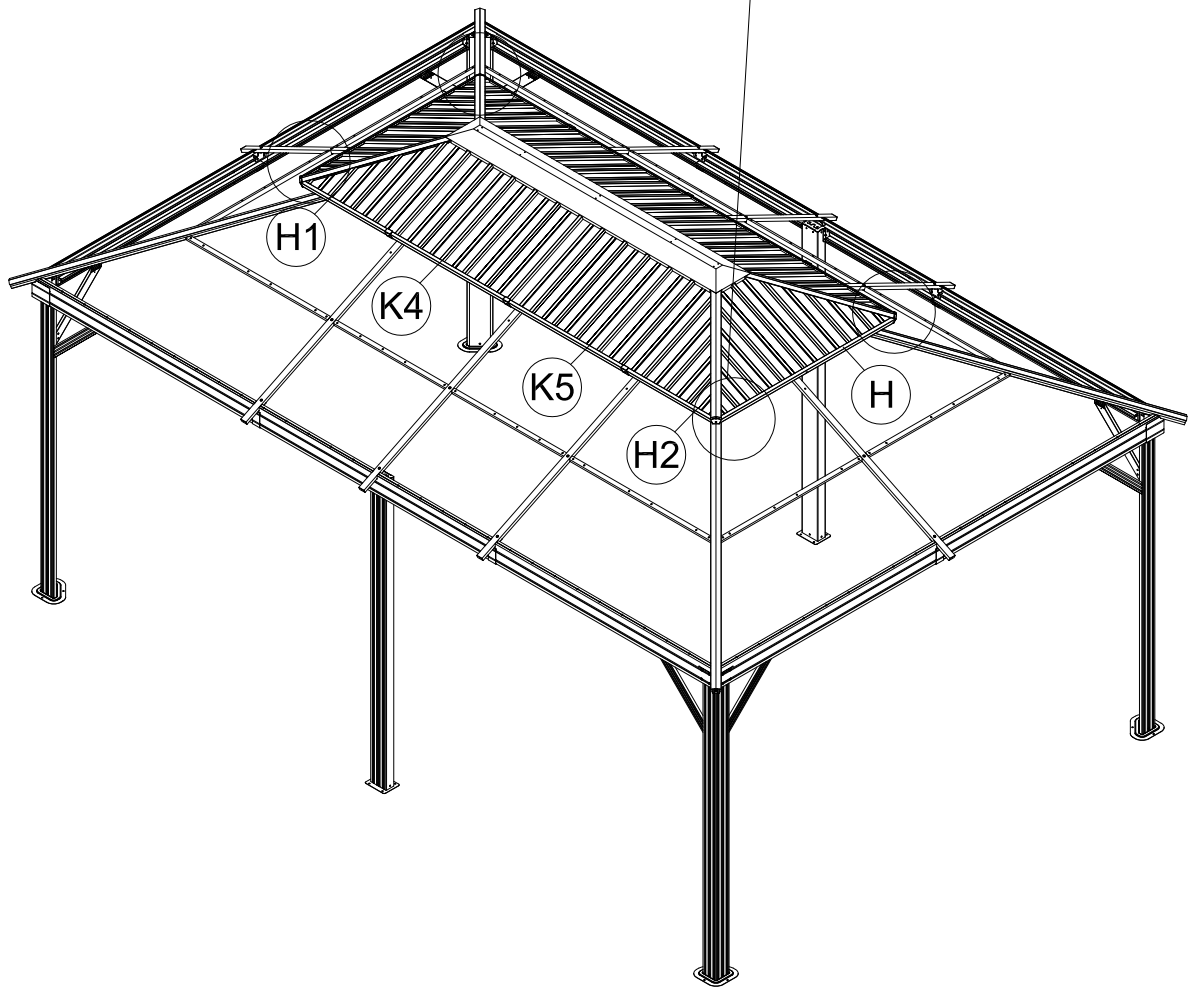
ST6.3x15

2 4x

(1) Place Part #H and Part #H2 on Part #E1;
put on Part #X3 and secure with Self-tapping Screw #2.


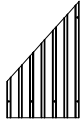
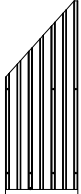
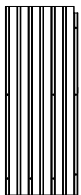
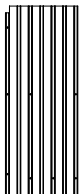
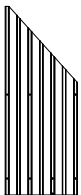
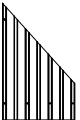

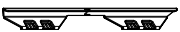


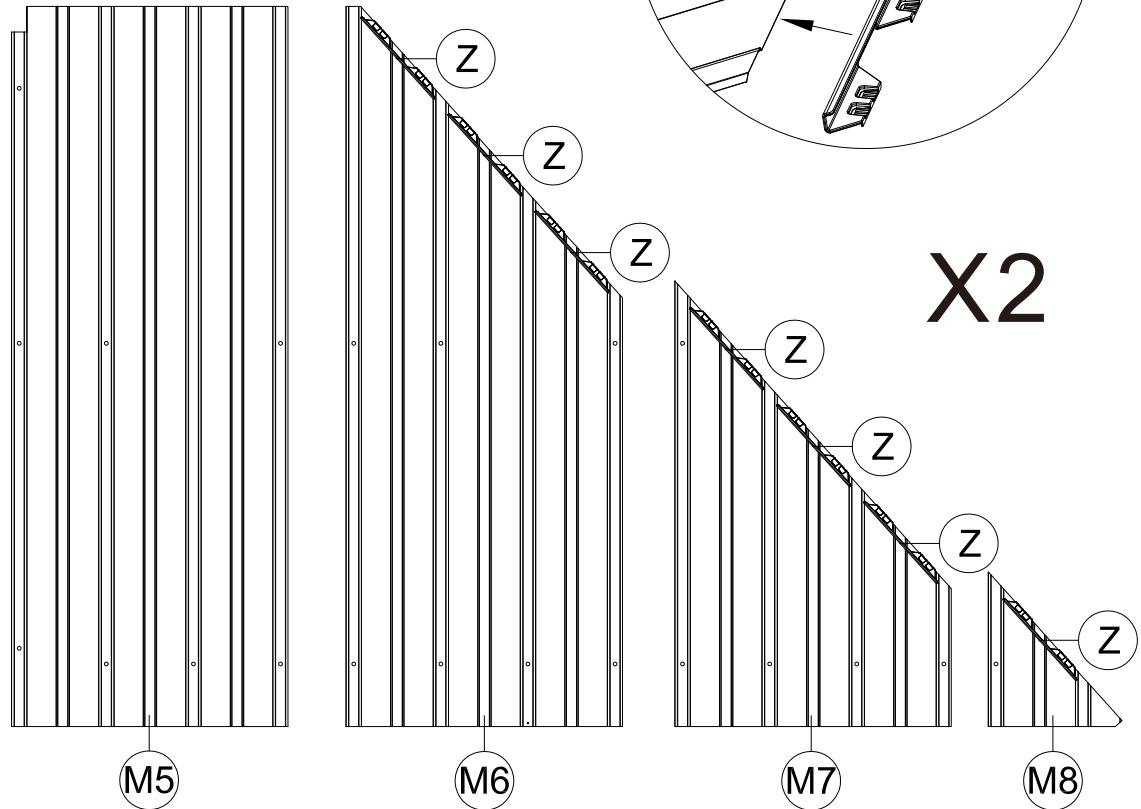
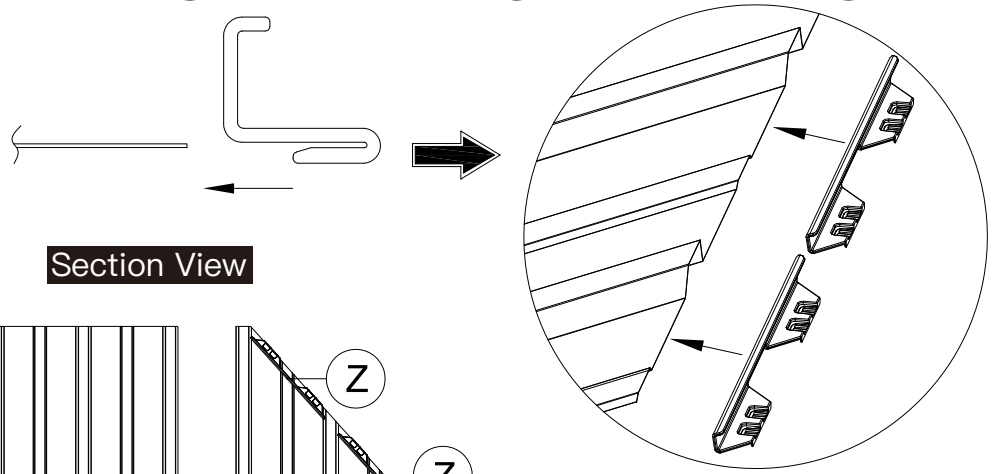
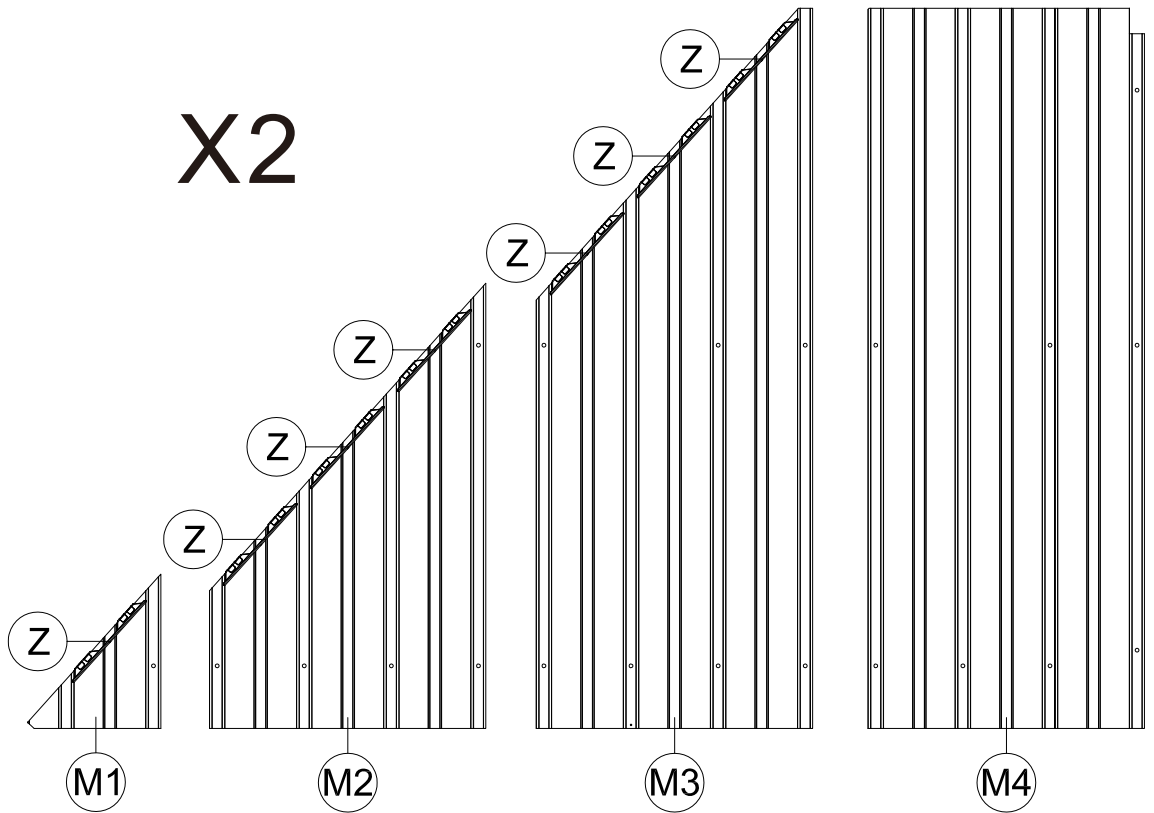
Outside View




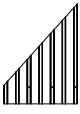
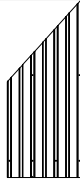
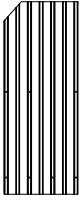
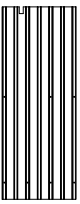
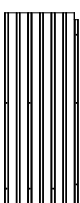



(2) Repeat the above procedures to assemble the other 3 corners.

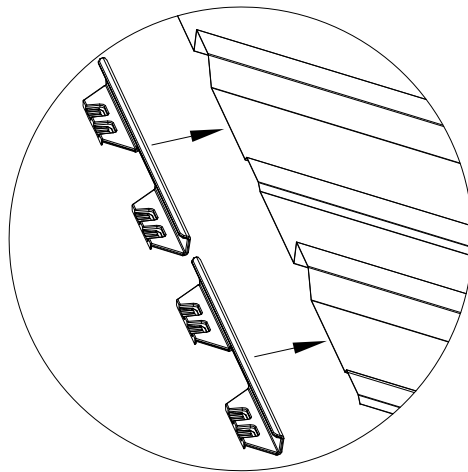
Cover Part #Z to Roof Panels

-  (M1) 2x
 -  (M2) 2x
 -  (M3) 2x
 -  (M4) 2x
 -  (M5) 2x
 -  (M6) 2x
 -  (M7) 2x
 -  (M8) 2x
 -  (Z) 28x
- 42

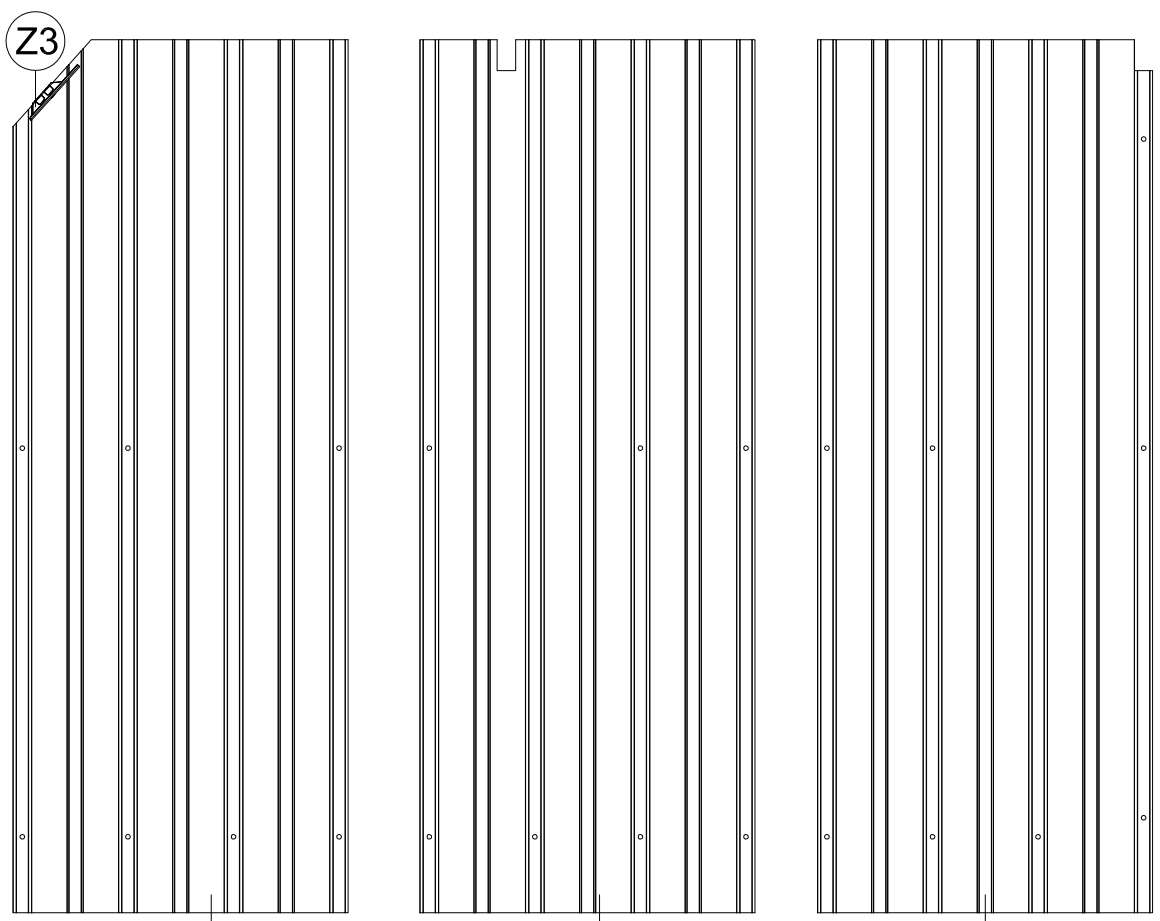
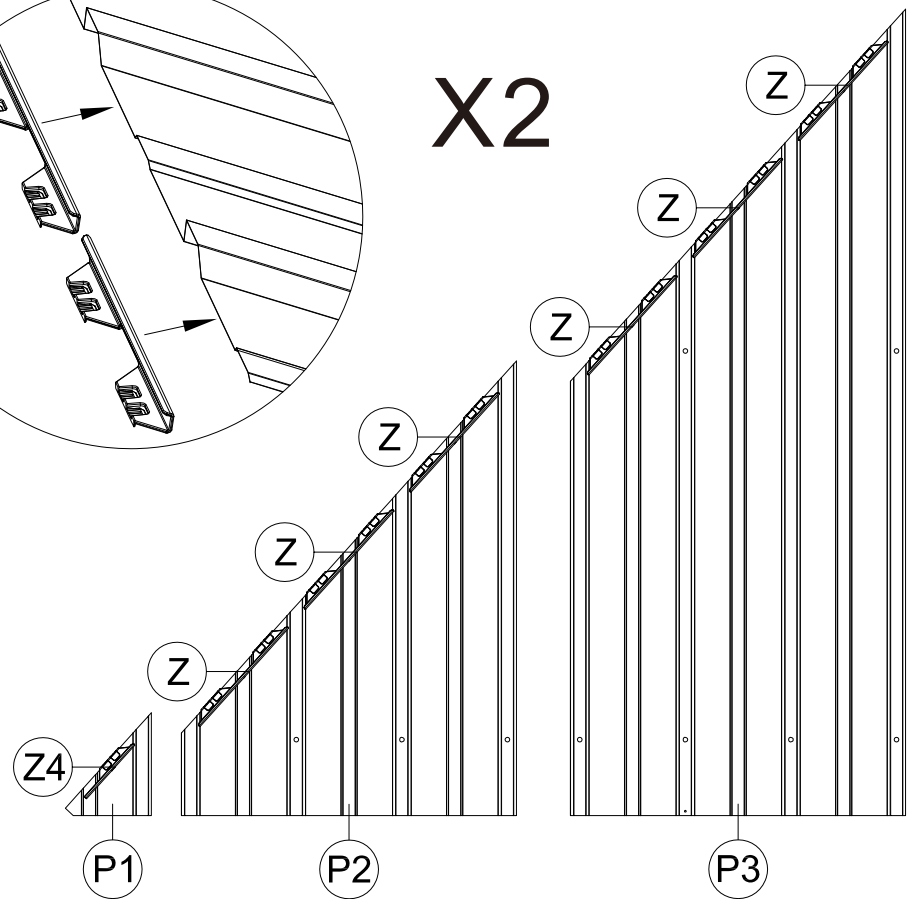


Cover Part #Z, #Z3 and #Z4 to Roof Panels

-  **P1** 2x
-  **P2** 2x
-  **P3** 2x
-  **P4** 2x
-  **P5** 2x
-  **P6** 2x
-  **Z** 12x
-  **Z3** 2x
-  **Z4** 2x



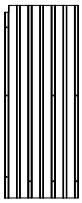
X2



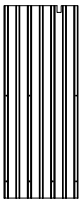
X2

Cover Part #Z, #Z3 and #Z4 to Roof Panels

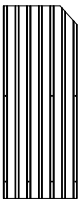
P7 2x



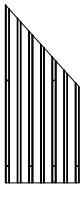
P8 2x



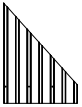
P9 2x



P10 2x



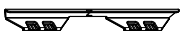
P11 2x



P12 2x



Z 12x



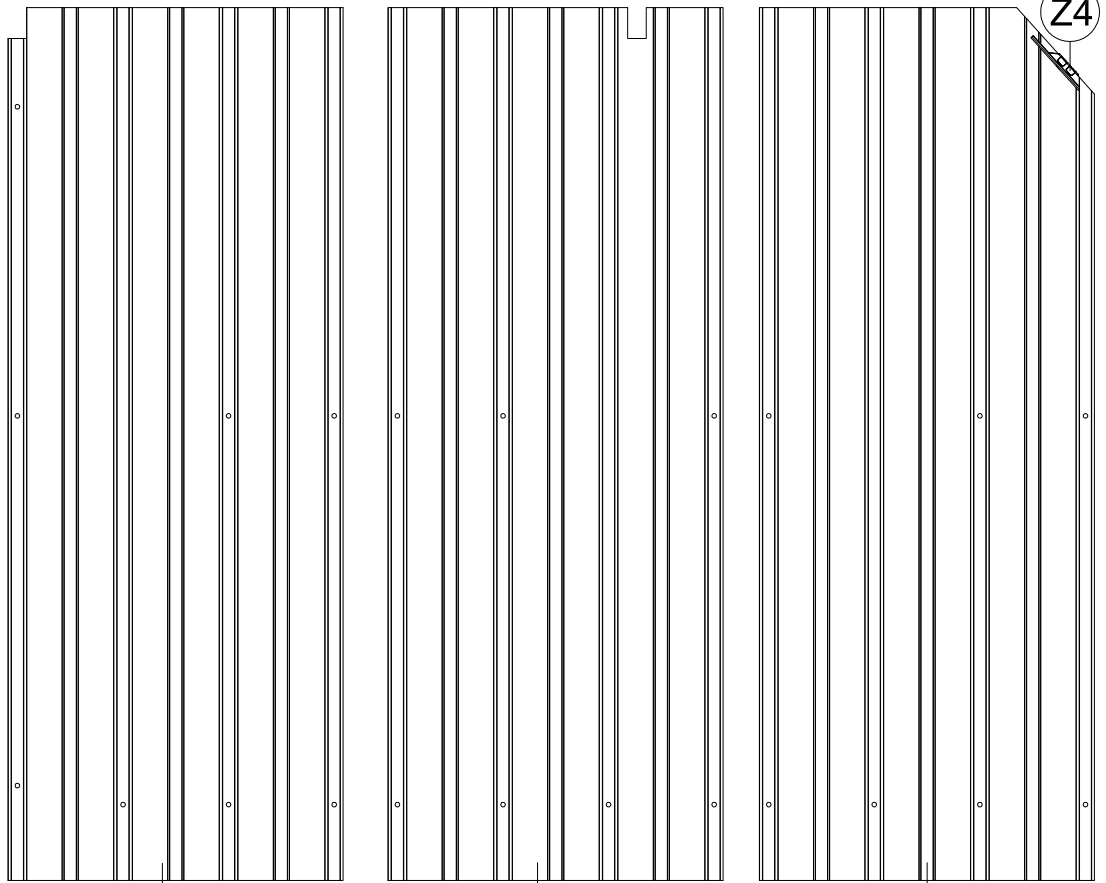
Z3 2x



Z4 2x



44



P7

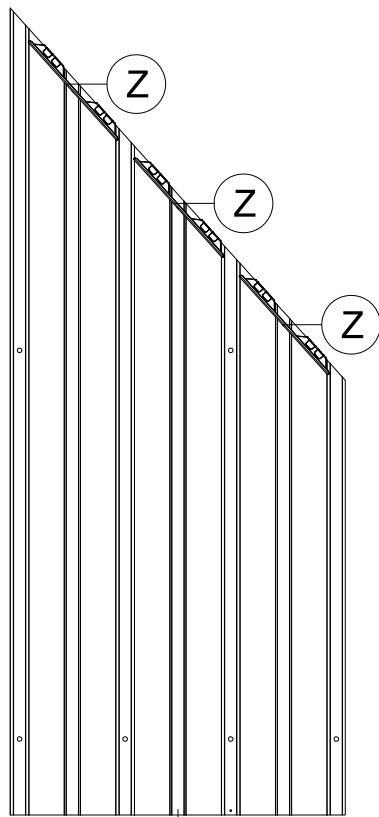
X2

P8

P9

Z4

X2



P10

P11

P12

Z

Z

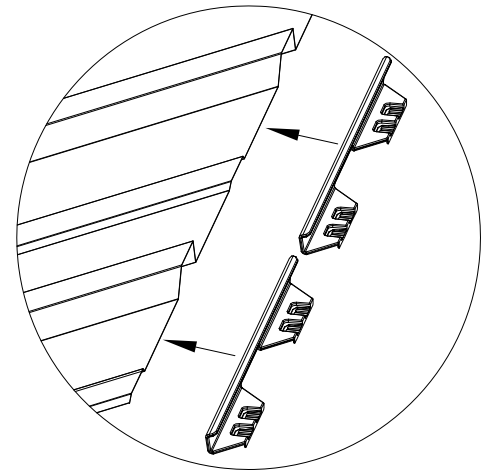
Z

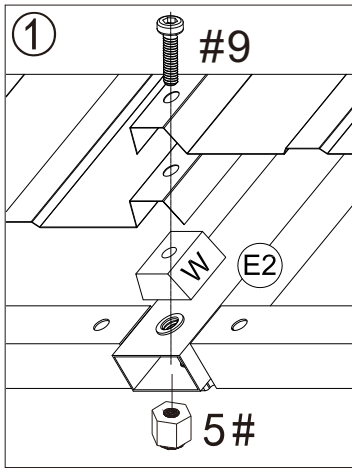
Z

Z

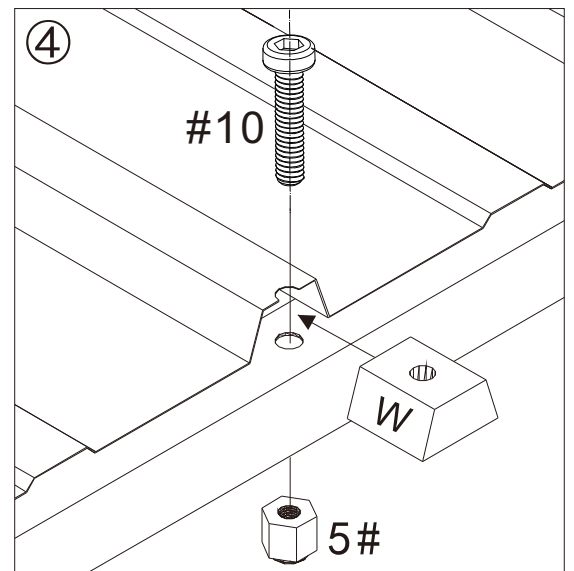
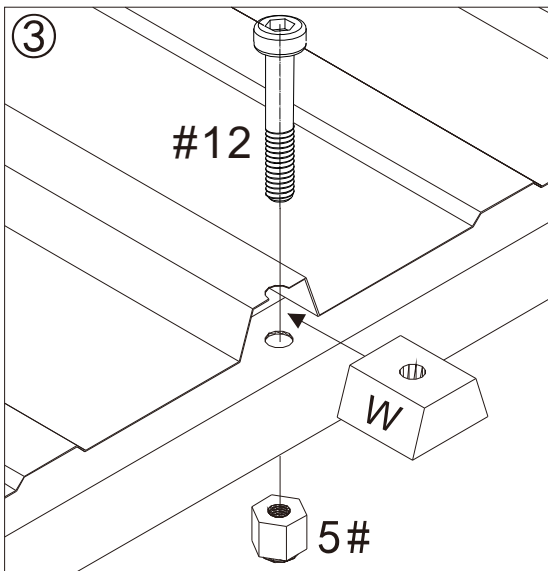
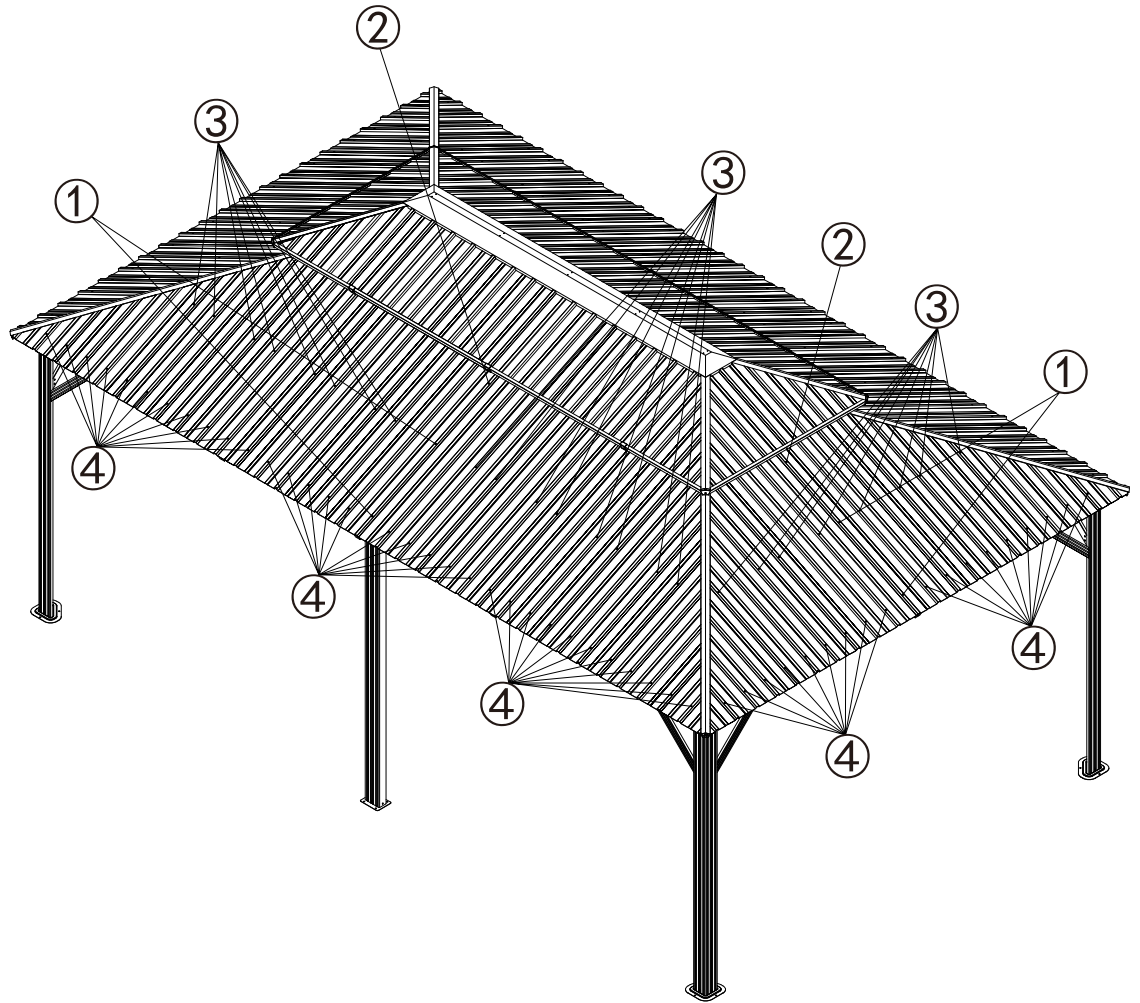
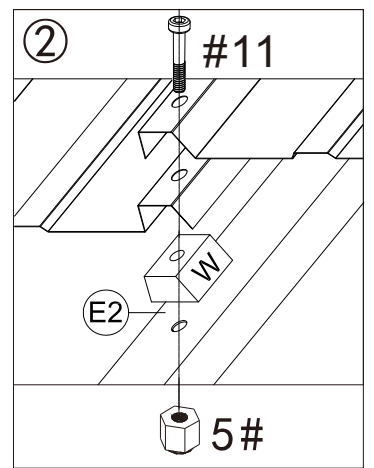
Z

Z3

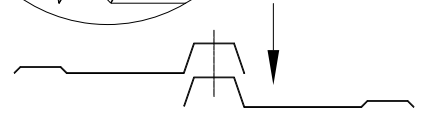
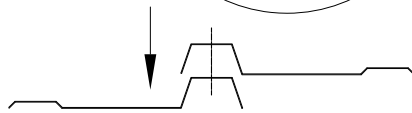
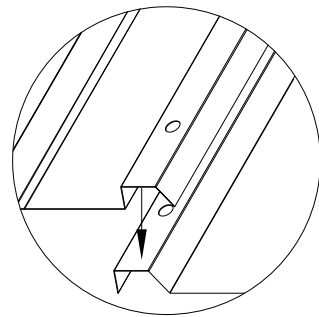
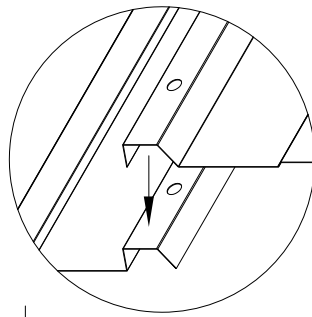




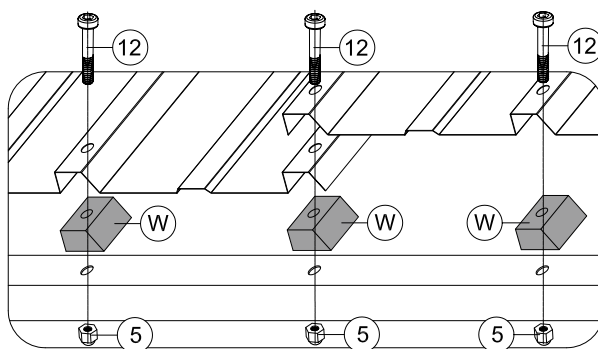
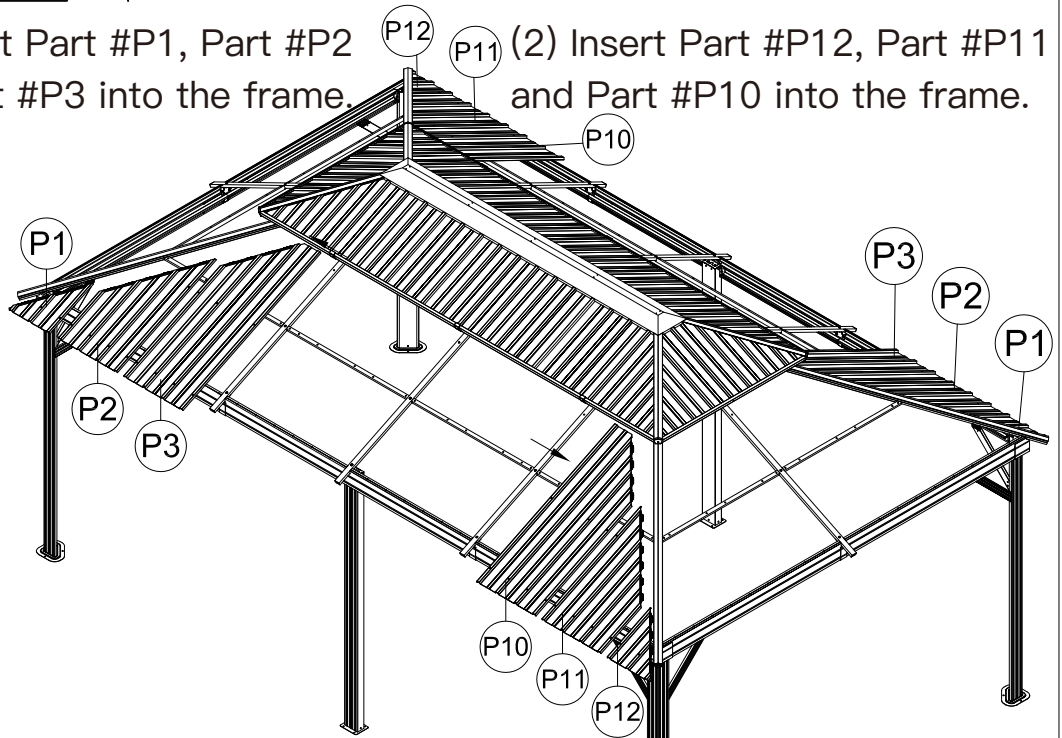
▲ Part #W should be inserted between roof panels and solidifying bar or beams, then secure with bolts and nuts.



ATTENTION: The bigger roof panel need to cover the smaller one.

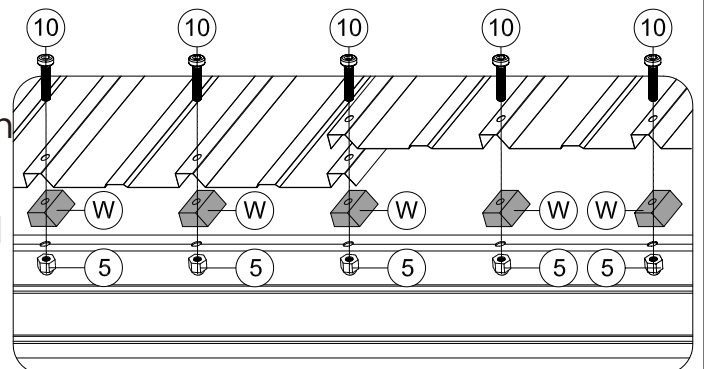


(1) Insert Part #P1, Part #P2 and Part #P3 into the frame. (2) Insert Part #P12, Part #P11 and Part #P10 into the frame.



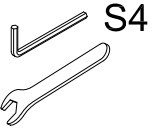
(3) Place 2 Part #W between roof panels and solidifying bars. Then secure with 2 Bolts #12 and 2 Nuts #5.

(4) Place 10 Part #W between roof panels and beams. Then secure with 10 Bolts #10 and 10 Nuts #5.



(5) Repeat the above procedures to assemble the opposite side.

W 24x



1 1x



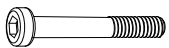
M6

5 24x



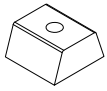
M6x28

10 20x



M6x50

12 4x



W 40x



1 1x



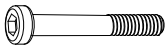
M6

5 40x



M6x28

10 24x

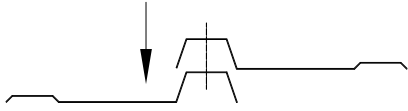


M6x50

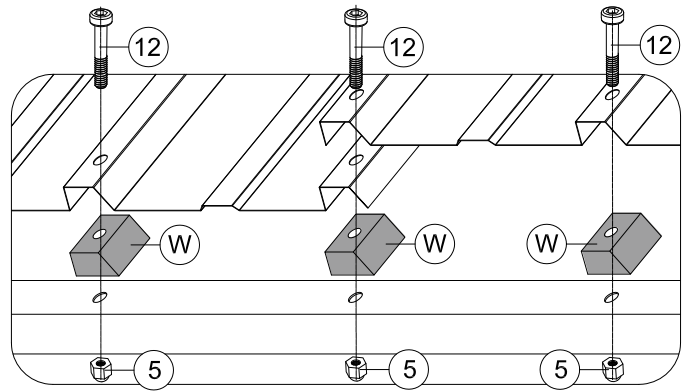
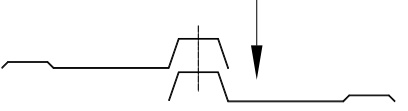
12 16x

ATTENTION: The bigger roof panel need to cover the smaller one.

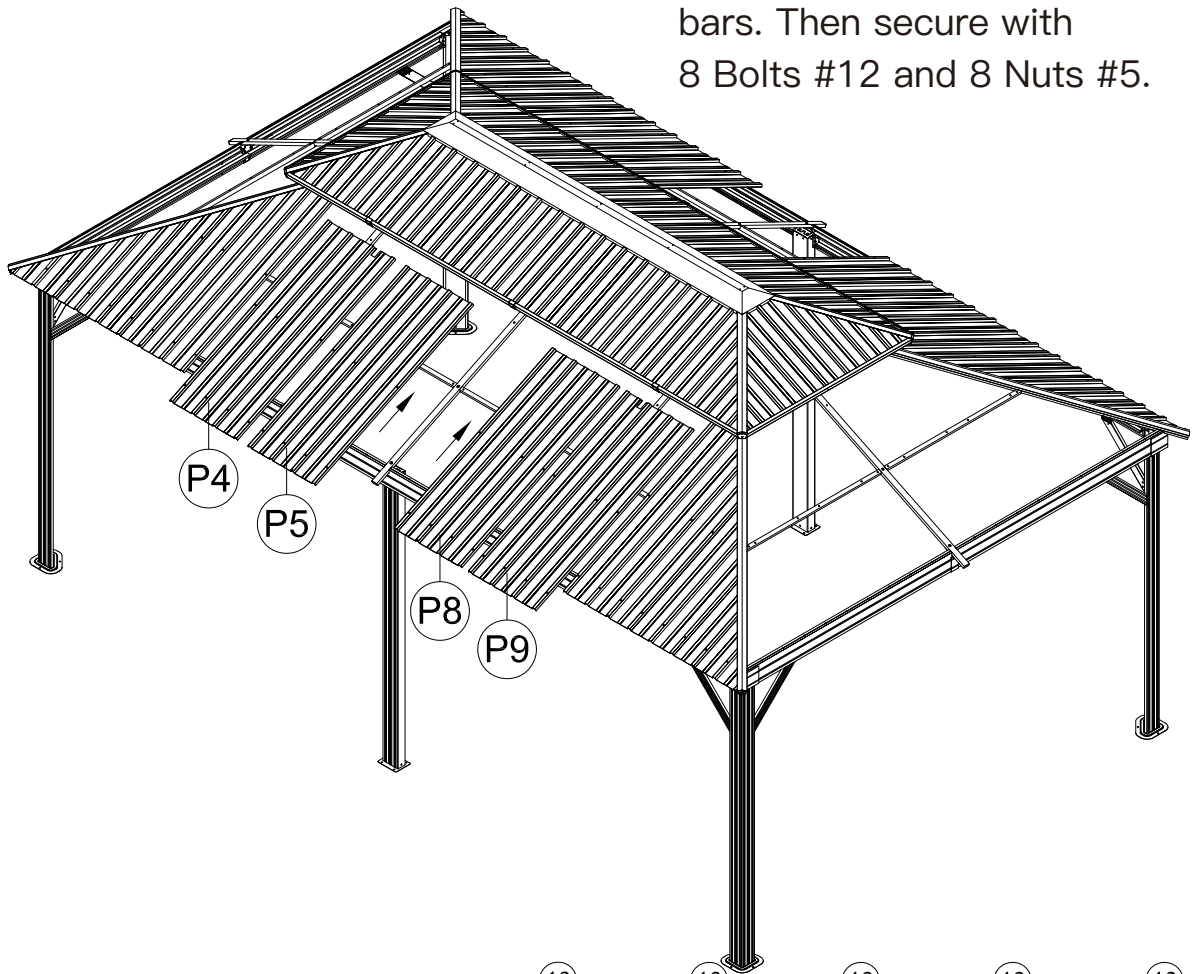
(1) Insert Part #P4 and Part #P5 into the frame.



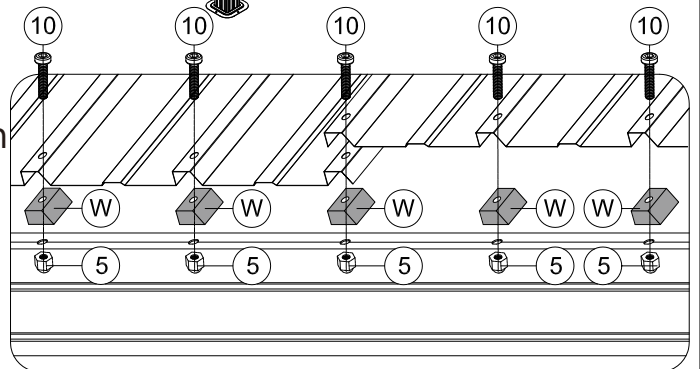
(2) Insert Part #P8 and Part #P9 into the frame.



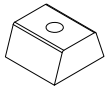
(3) Place 8 Part #W between roof panels and solidifying bars. Then secure with 8 Bolts #12 and 8 Nuts #5.



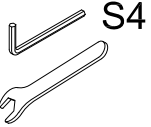
(4) Place 12 Part #W between roof panels and beams. Then secure with 12 Bolts #10 and 12 Nuts #5.



(5) Repeat the above procedures to assemble the opposite side.



W 24x



1 1x



M6

5 20x



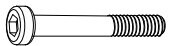
M6x25

9 4x



M6x28

10 12x

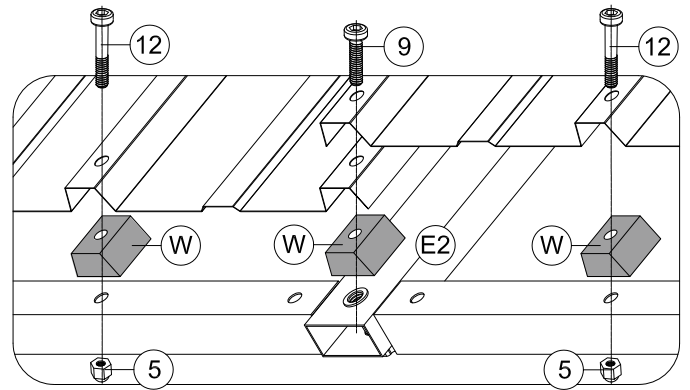
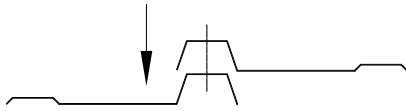


M6x50

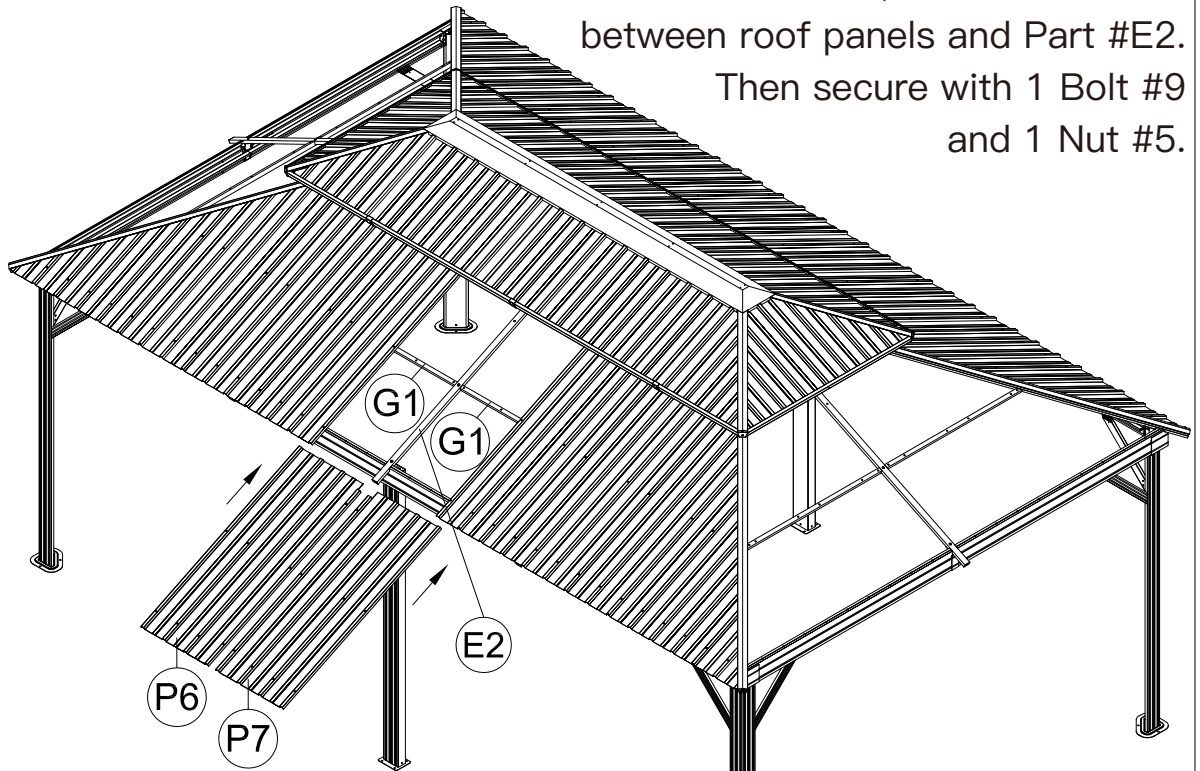
12 8x

ATTENTION: The bigger roof panel need to cover the smaller one.

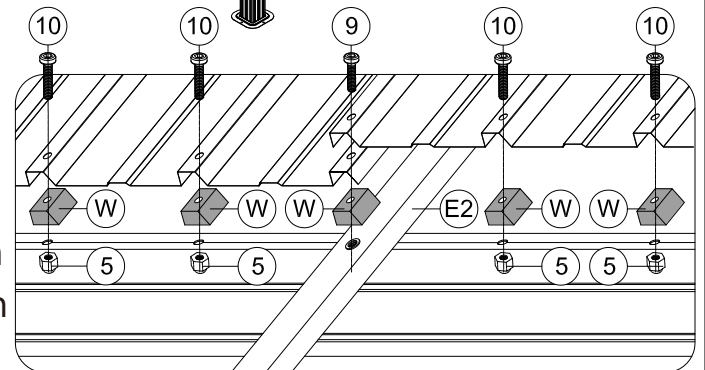
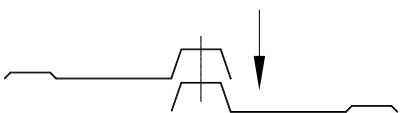
(1) Insert Part #P6 into the frame.



(3) Place 4 Part #W between roof panels and solidifying bars. Then secure with 4 Bolts #12 and 4 Nuts #5; Place 1 Part #W between roof panels and Part #E2. Then secure with 1 Bolt #9 and 1 Nut #5.

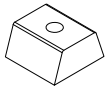


(2) Insert Part #P7 into the frame.

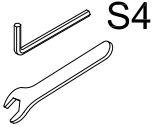


(4) Place 6 Part #W between roof panels and beams. Then secure with 6 Bolts #10 and 6 Nuts #5; Place 1 Part #W between roof panels and Part #E2. Then secure with 1 Bolt #9 and 1 Nut #5.

(5) Repeat the above procedures to assemble the opposite side.



W 12x



1 1x



M6

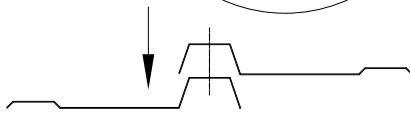
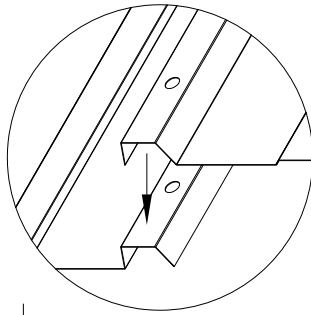
5 12x



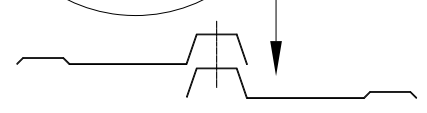
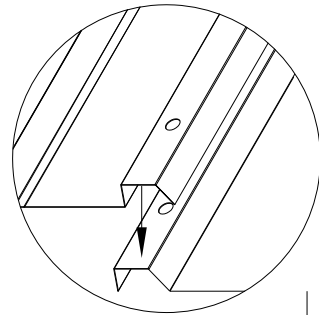
M6x28

10 12x

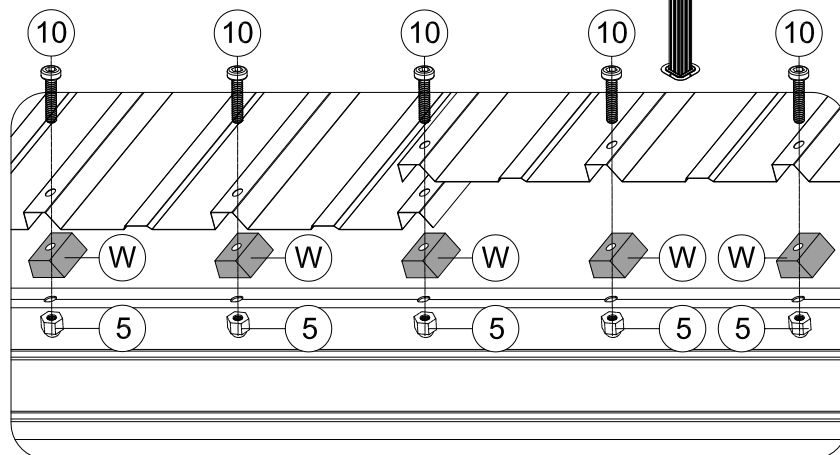
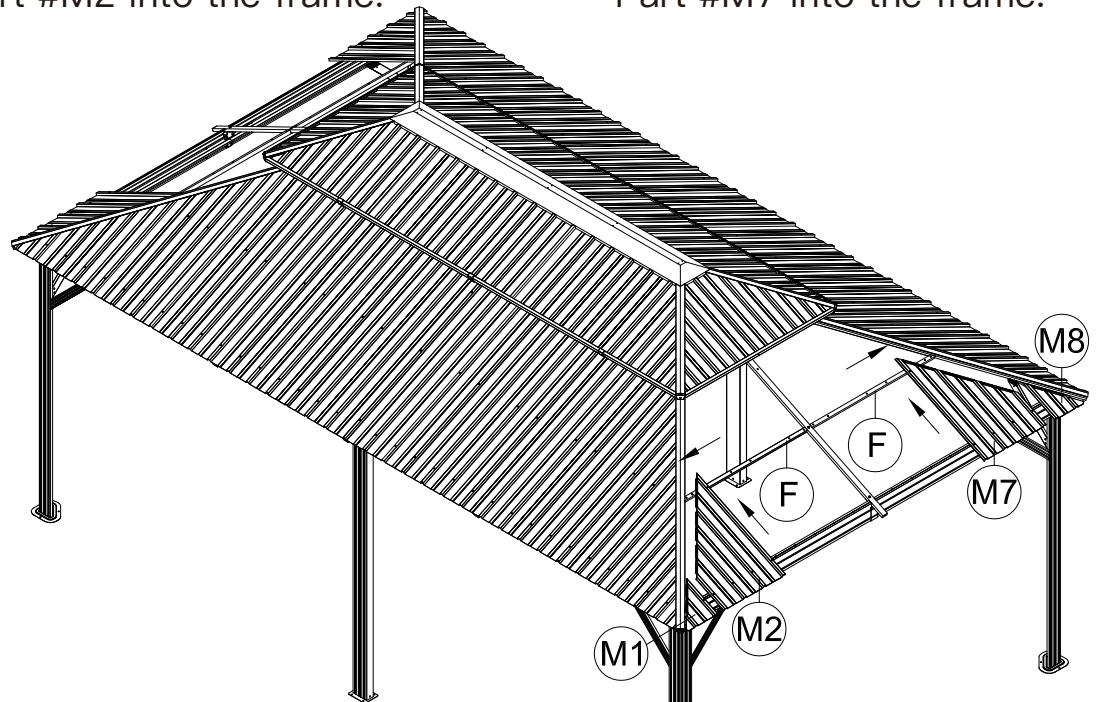
ATTENTION: The bigger roof panel need to cover the smaller one.



(1) Insert Part #M1 and Part #M2 into the frame.

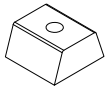


(2) Insert Part #M8 and Part #M7 into the frame.

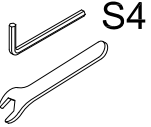


(3) Place 6 Part #W between roof panels and beams. Then secure with 6 Bolts #10 and 6 Nuts #5.

(4) Repeat the above procedures to assemble the opposite side.



W 20x



1 1x



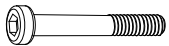
M6

5 20x



M6x28

10 12x

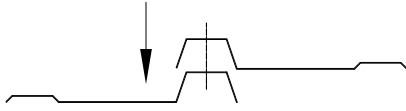


M6x50

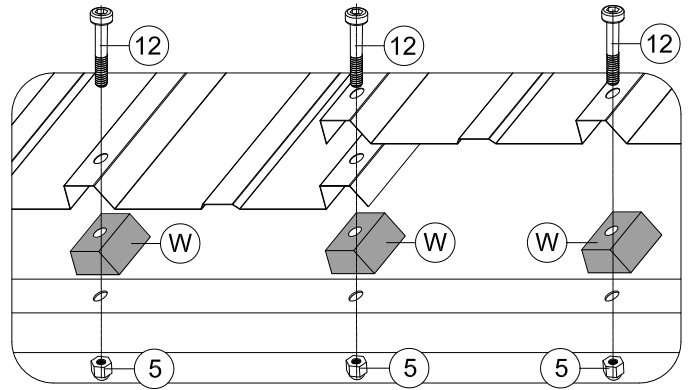
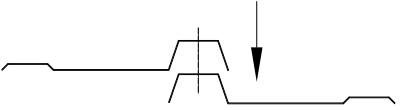
12 8x

ATTENTION: The bigger roof panel need to cover the smaller one.

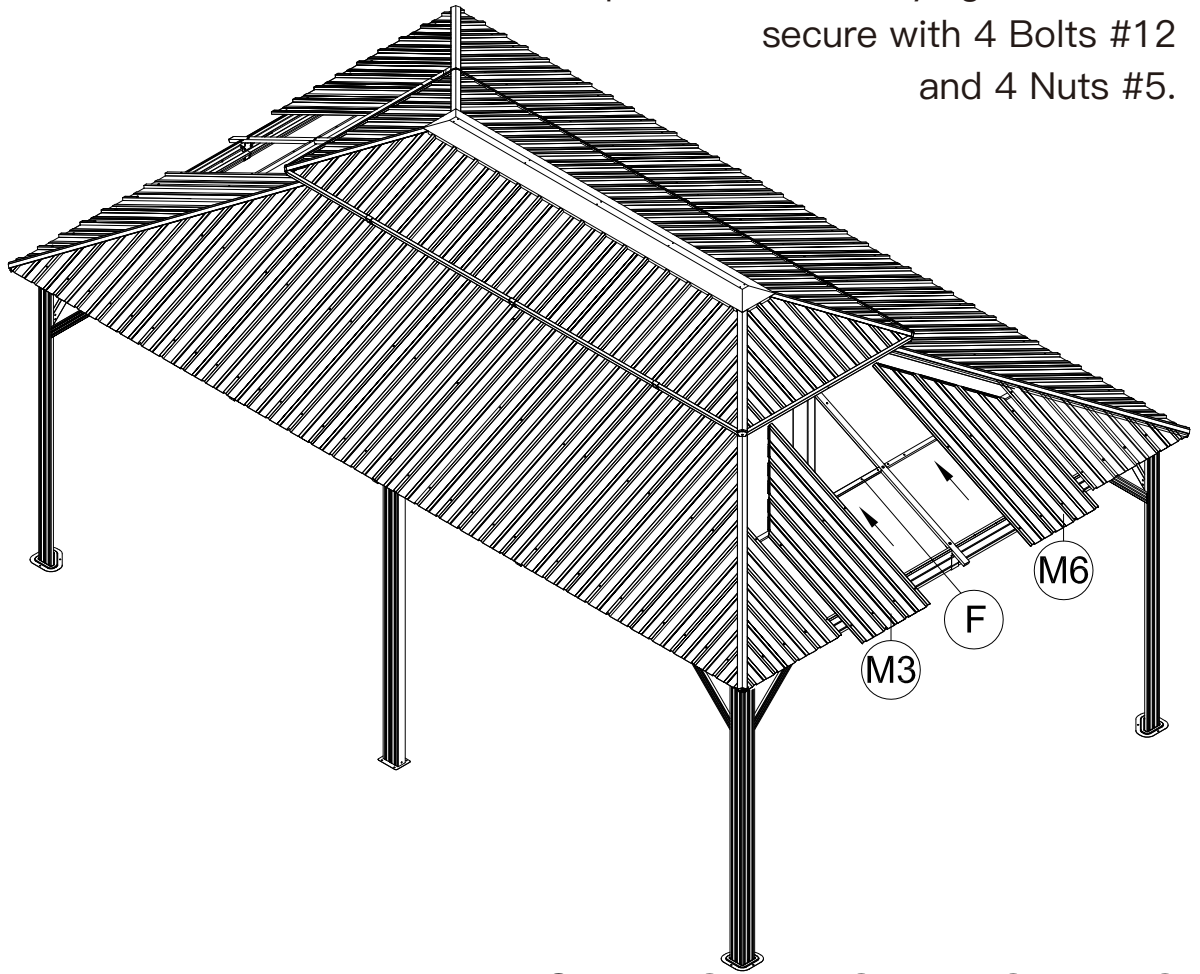
(1) Insert Part #M3 into the frame.



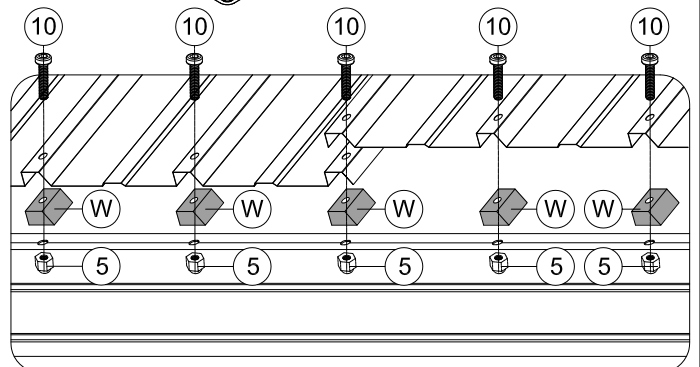
(2) Insert Part #M6 into the frame.



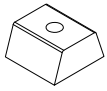
(3) Place 4 Part #W between roof panels and solidifying bars. Then secure with 4 Bolts #12 and 4 Nuts #5.



(4) Place 6 Part #W between roof panels and beams. Then secure with 6 Bolts #10 and 6 Nuts #5.



(5) Repeat the above procedures to assemble the opposite side.



W 24x



1 1x



M6

5 20x



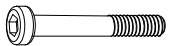
M6x25

9 4x



M6x28

10 12x

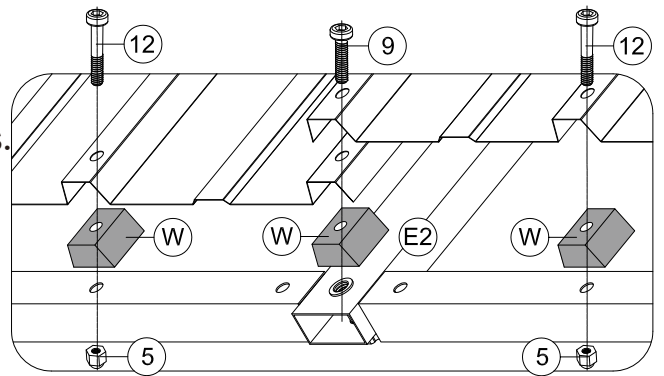


M6x50

12 8x

ATTENTION: The bigger roof panel need to cover the smaller one.

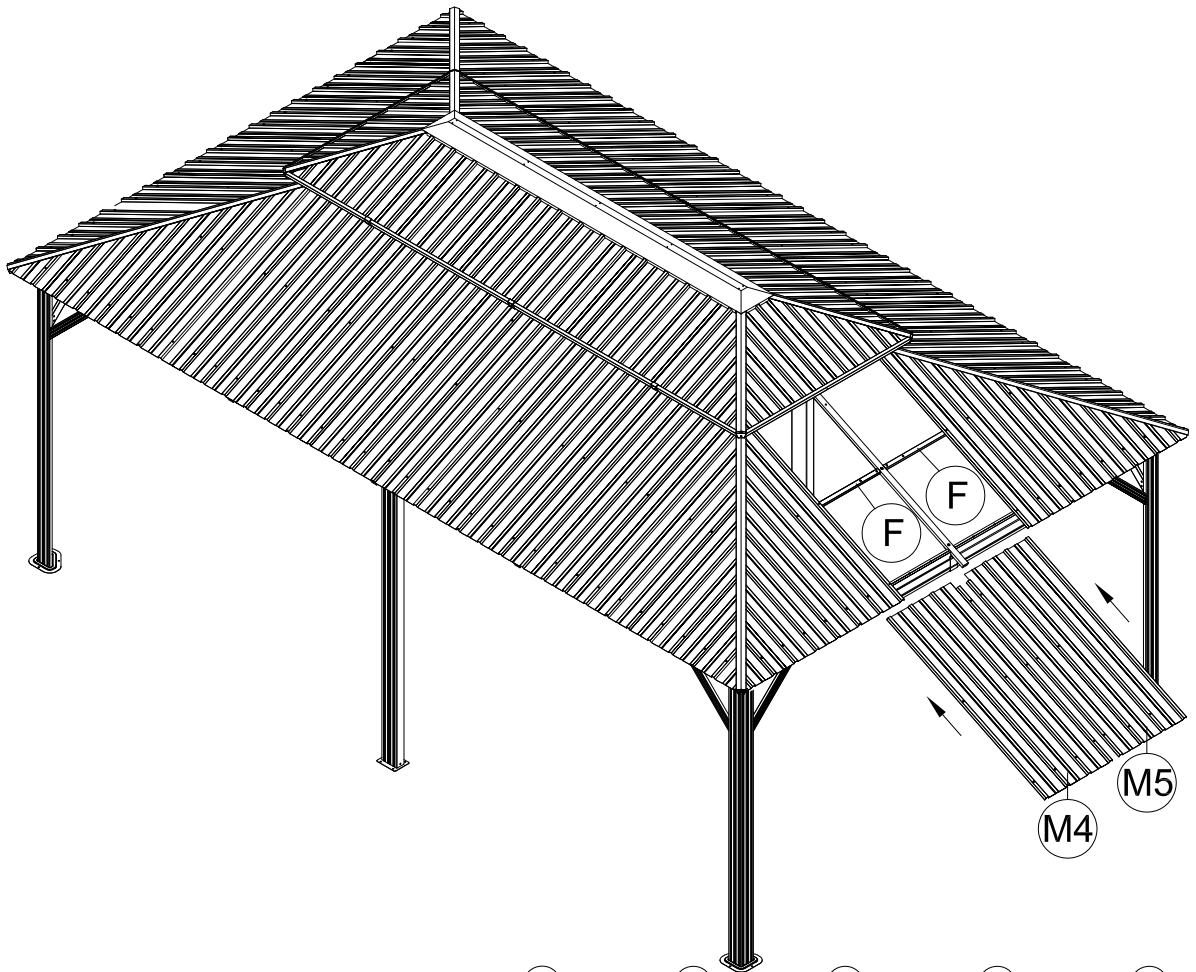
(1) Insert Part #M4 and Part #M5 into the frame.



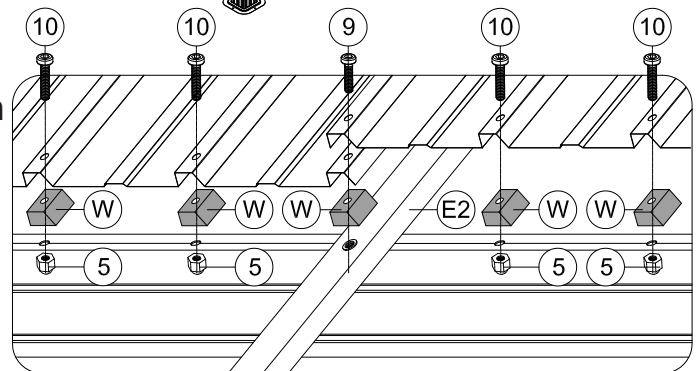
(2) Place 4 Part #W between roof panels and solidifying bars. Then secure with 4 Bolts #12 and 4 Nuts #5;

Place 1 Part #W between roof panels and Part #E2. Then secure with 1 Bolt #9 and 1 Nut #5.

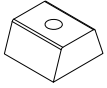
Place 1 Part #W between roof panels and Part #E2. Then secure with 1 Bolt #9 and 1 Nut #5.



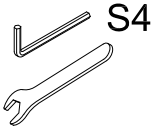
(3) Place 6 Part #W between roof panels and beams. Then secure with 6 Bolts #10 and 6 Nuts #5; Place 1 Part #W between roof panels and Part #E2. Then secure with 1 Bolt #9 and 1 Nut #5.



(4) Repeat the above procedures to assemble the opposite side.



W 4x

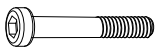


1 1x



M6

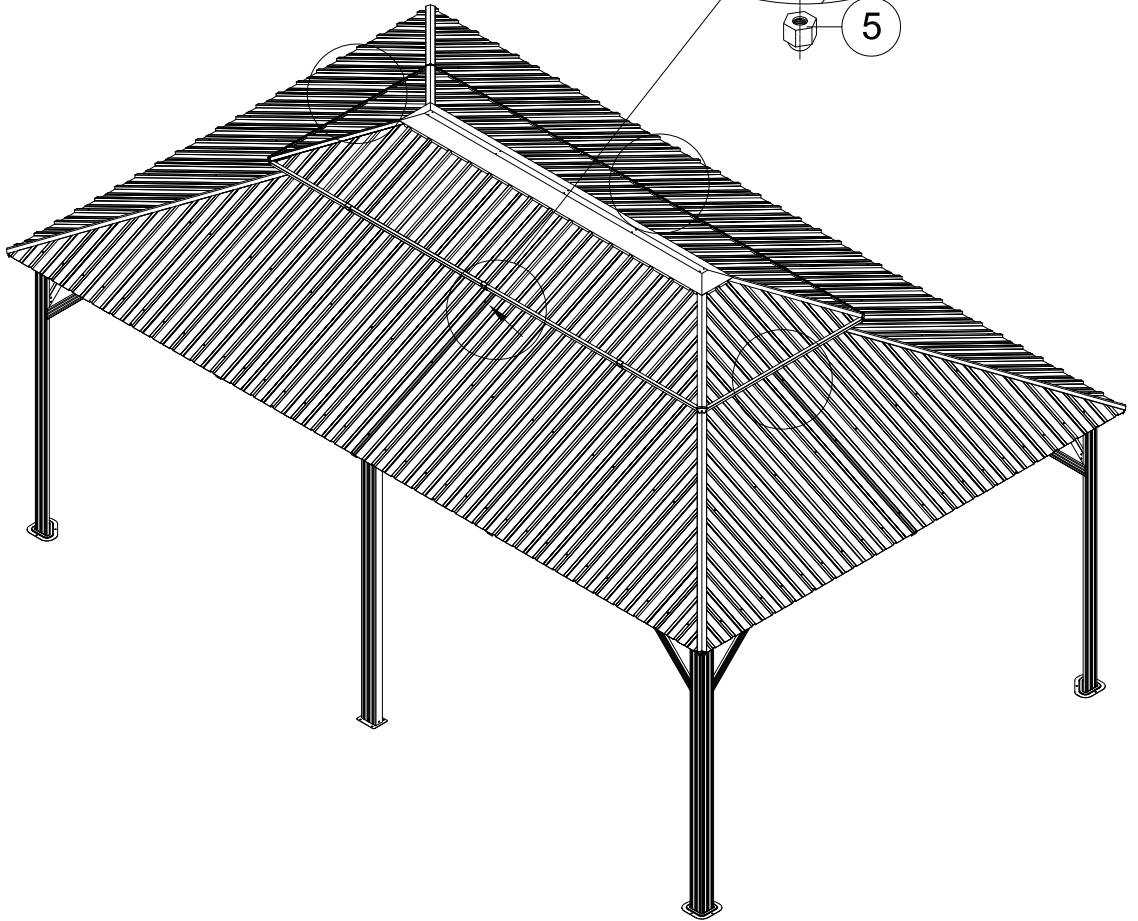
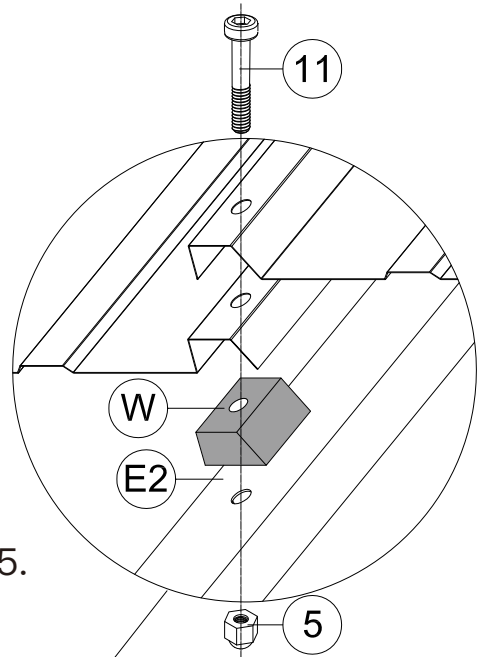
5 4x



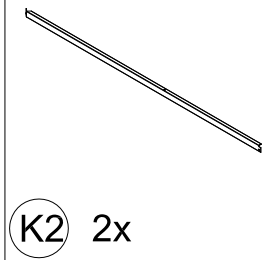
M6x45

11 4x

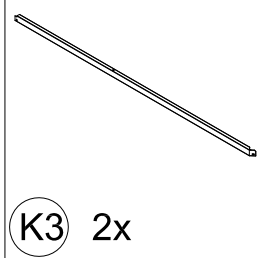
Place Part #W between roof panels and Part #E2. Then secure with Bolt #11 and Nut #5.



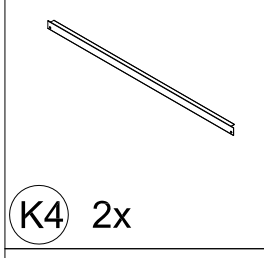
Repeat the above procedures to assemble the other 3 sides.



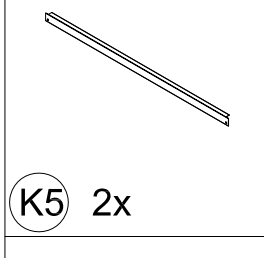
K2 2x



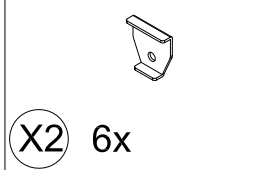
K3 2x



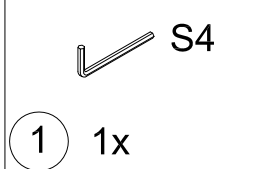
K4 2x



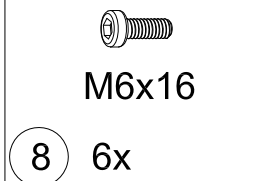
K5 2x



X2 6x



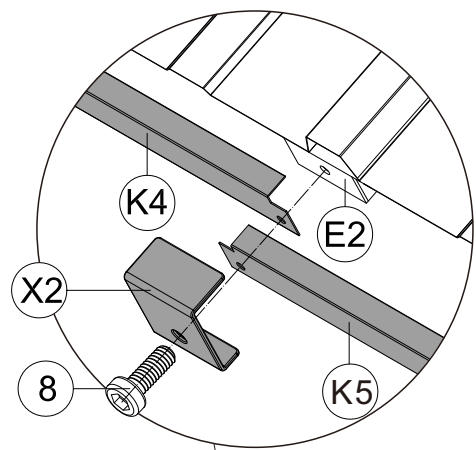
1 1x



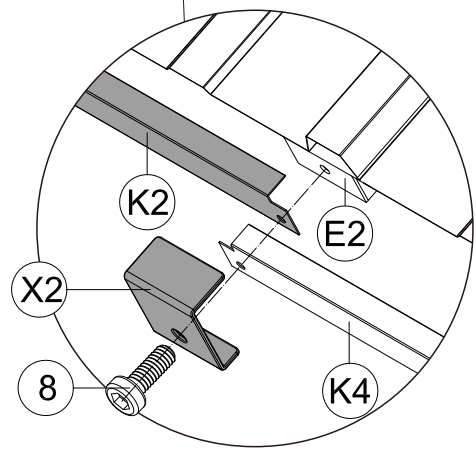
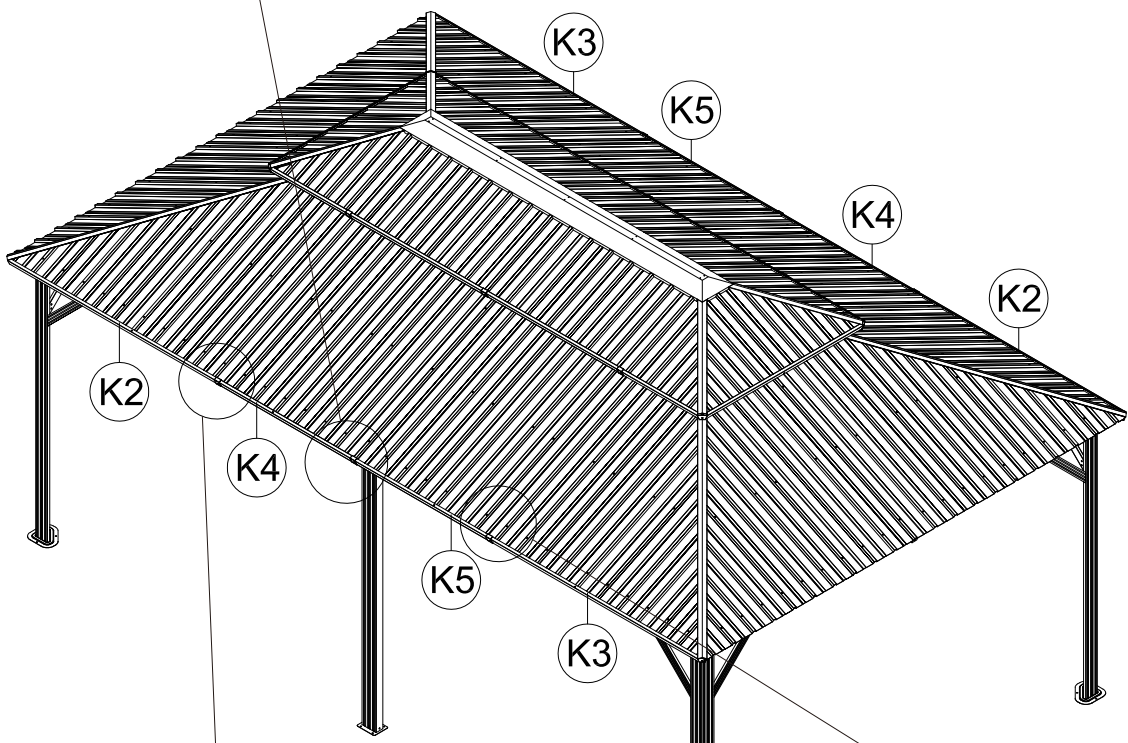
M6x16

8 6x

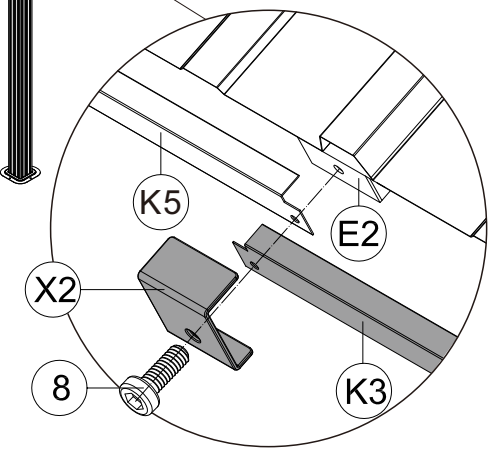
53



(1) Place Part #K4 and Part #K5 on Part #E2; Put on Part #X2 and secure with Bolt #8.

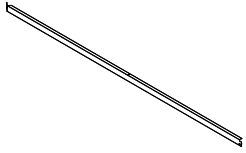


(2) Place Part #K2 on Part #K4 and Part #E2; Put on Part #X2 and secure with Bolt #8.

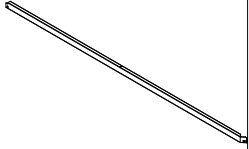


(3) Place Part #K3 on Part #K5 and Part #E2; Put on Part #X2 and secure with Bolt #8.

(4) Repeat the above procedures to assemble the opposite side.



(K) 2x



(K1) 2x



(X2) 2x



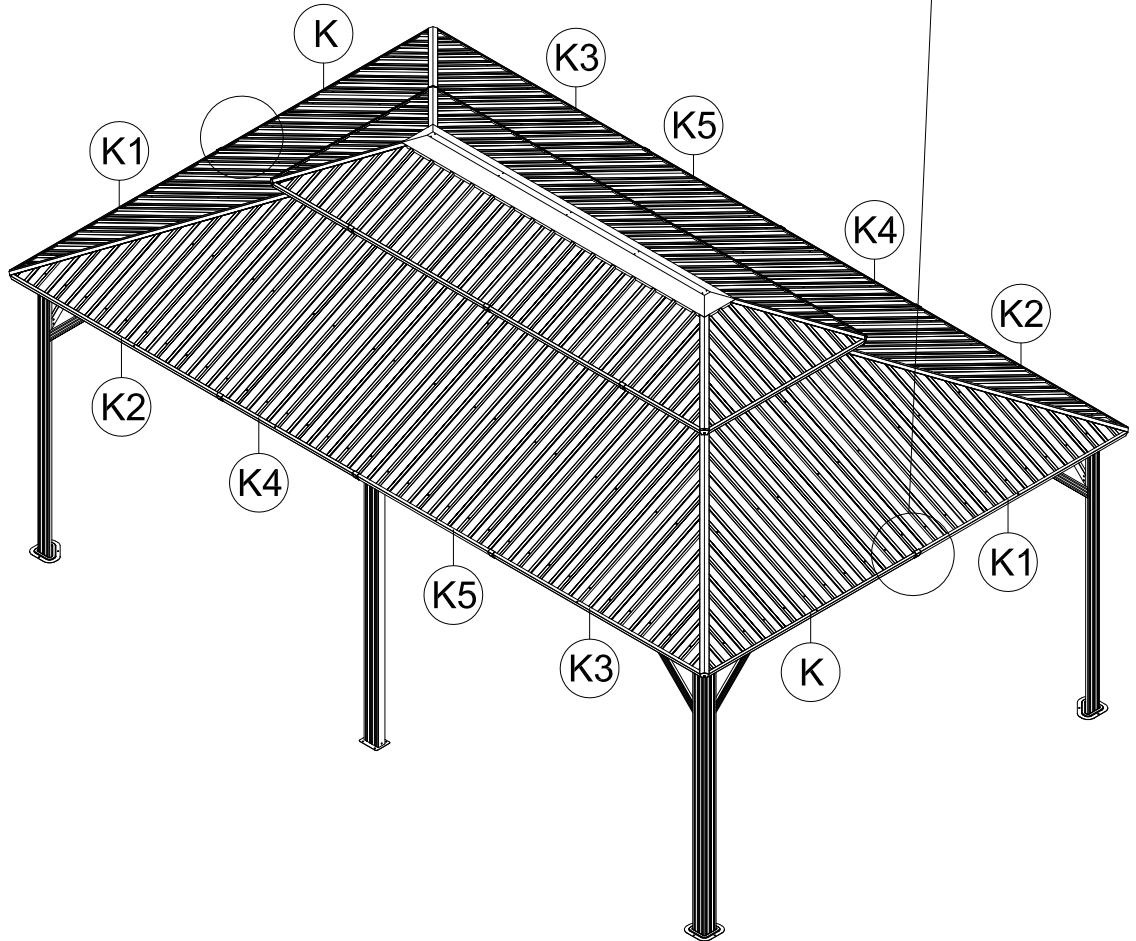
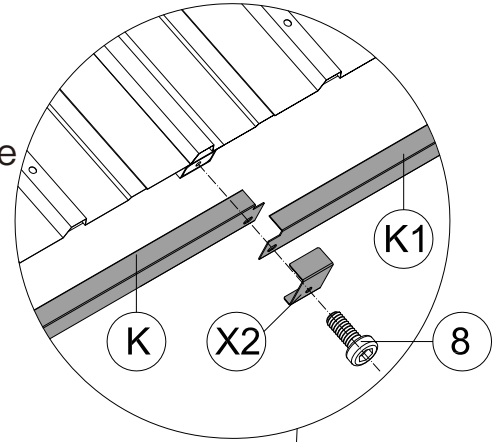
(1) 1x



M6x16

(8) 2x

(1) Attach Part #K and Part #K1 to the frame; Put on Part #X2 and secure with Bolt #8.



(2) Repeat the above procedures to assemble the opposite side.

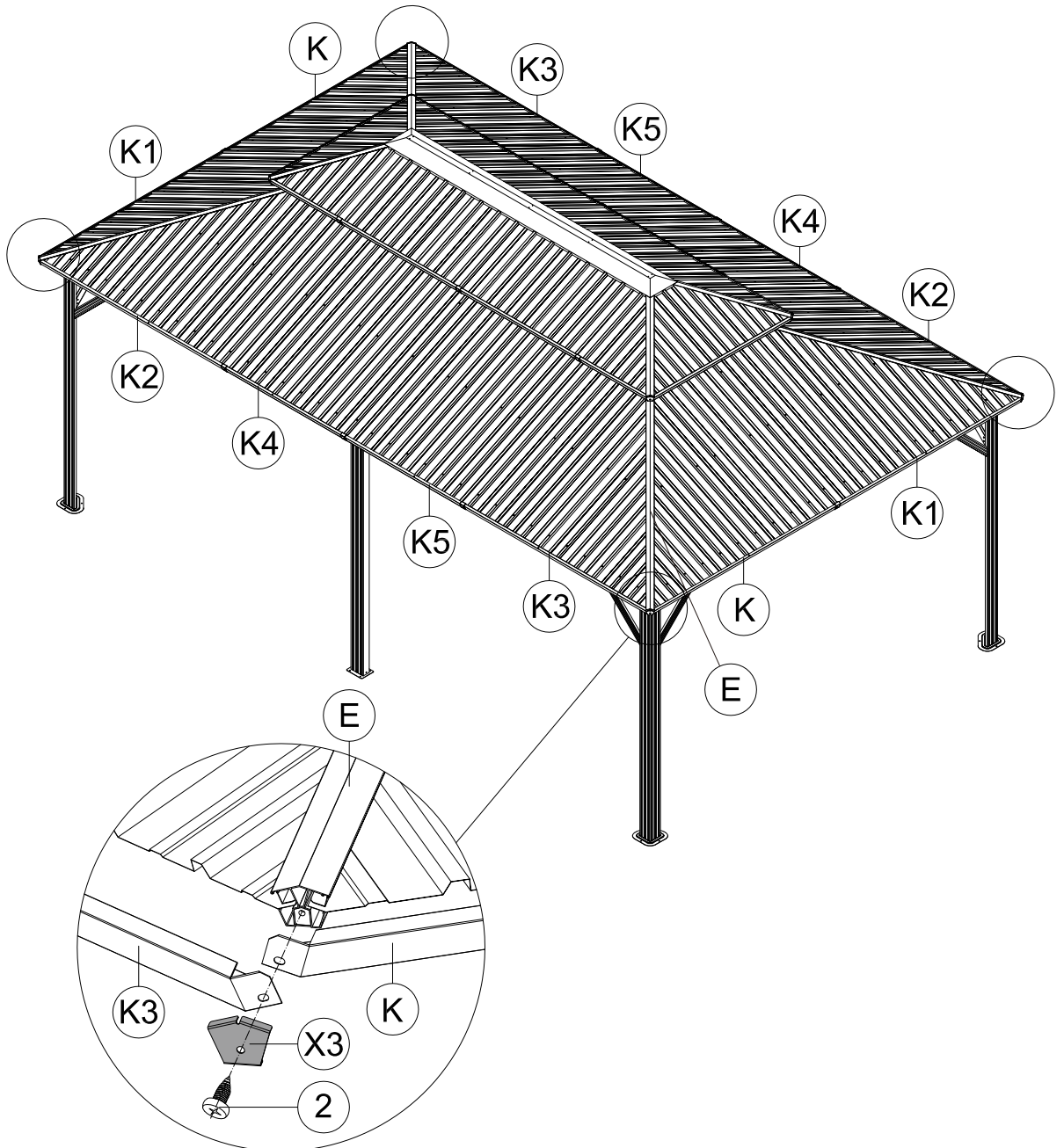


X3 4x



ST6.3x15

2 4x



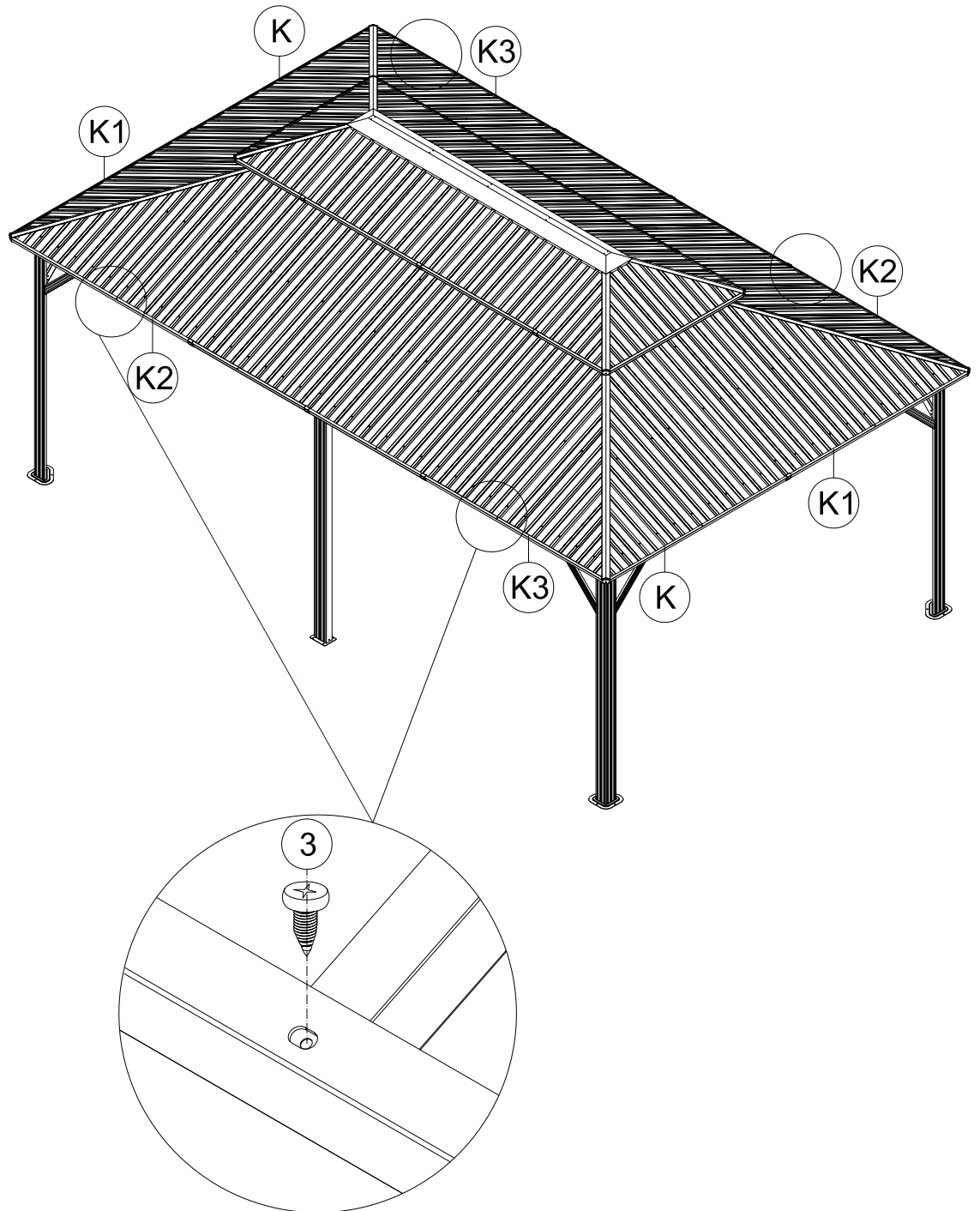
(1) Place Part #K3 and Part #K on Part #E;
Put on Part #X3 and secure with Self-tapping Screw #2.

(2) Repeat the above procedures to assemble the other 3 corners.



ST5x16

3 4x



(1) Attach roof panels to finishing bars with 4 Self-tapping Screws #3.

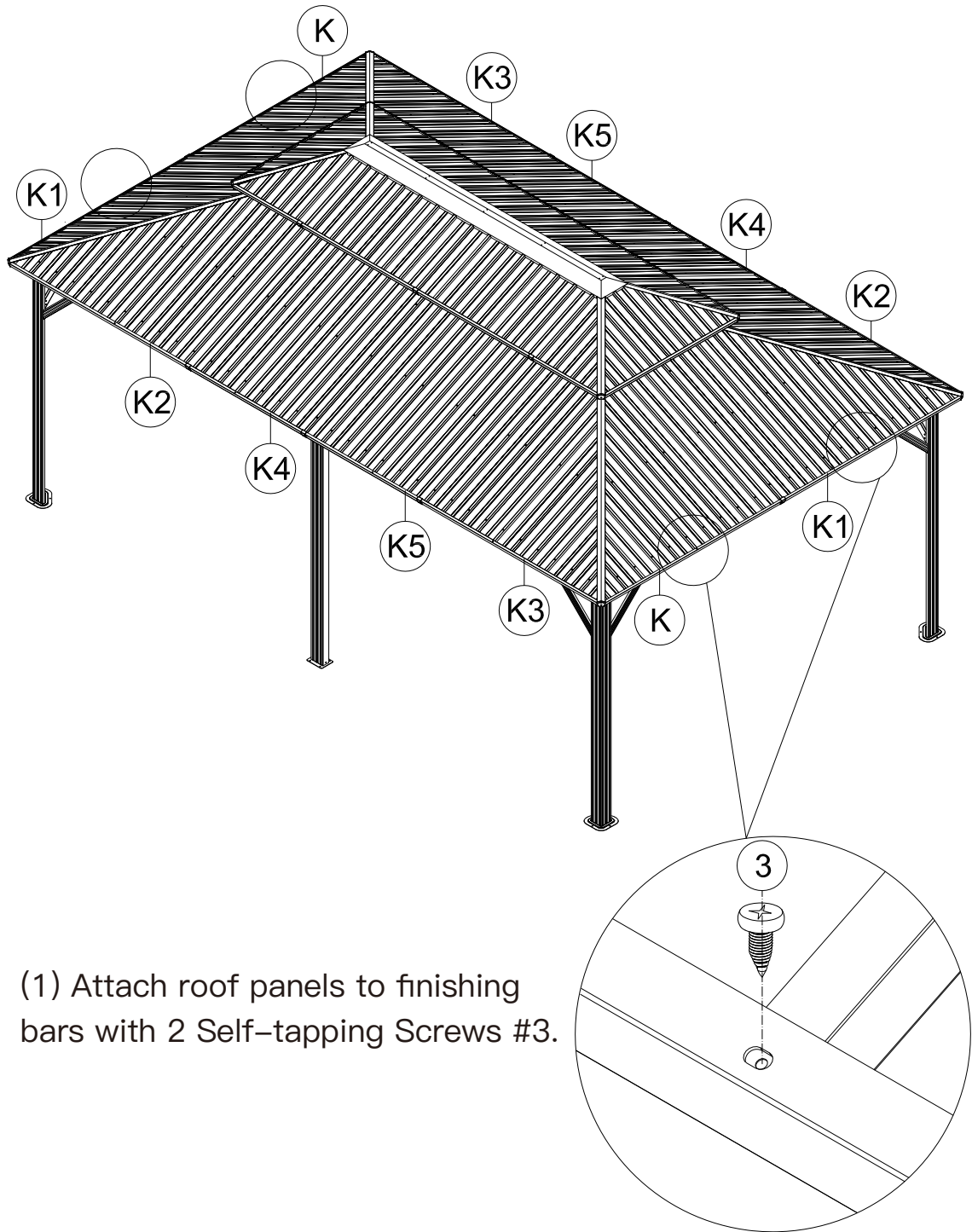
(2) Repeat the above procedures to assemble the opposite side.



ST5x16

3

4x

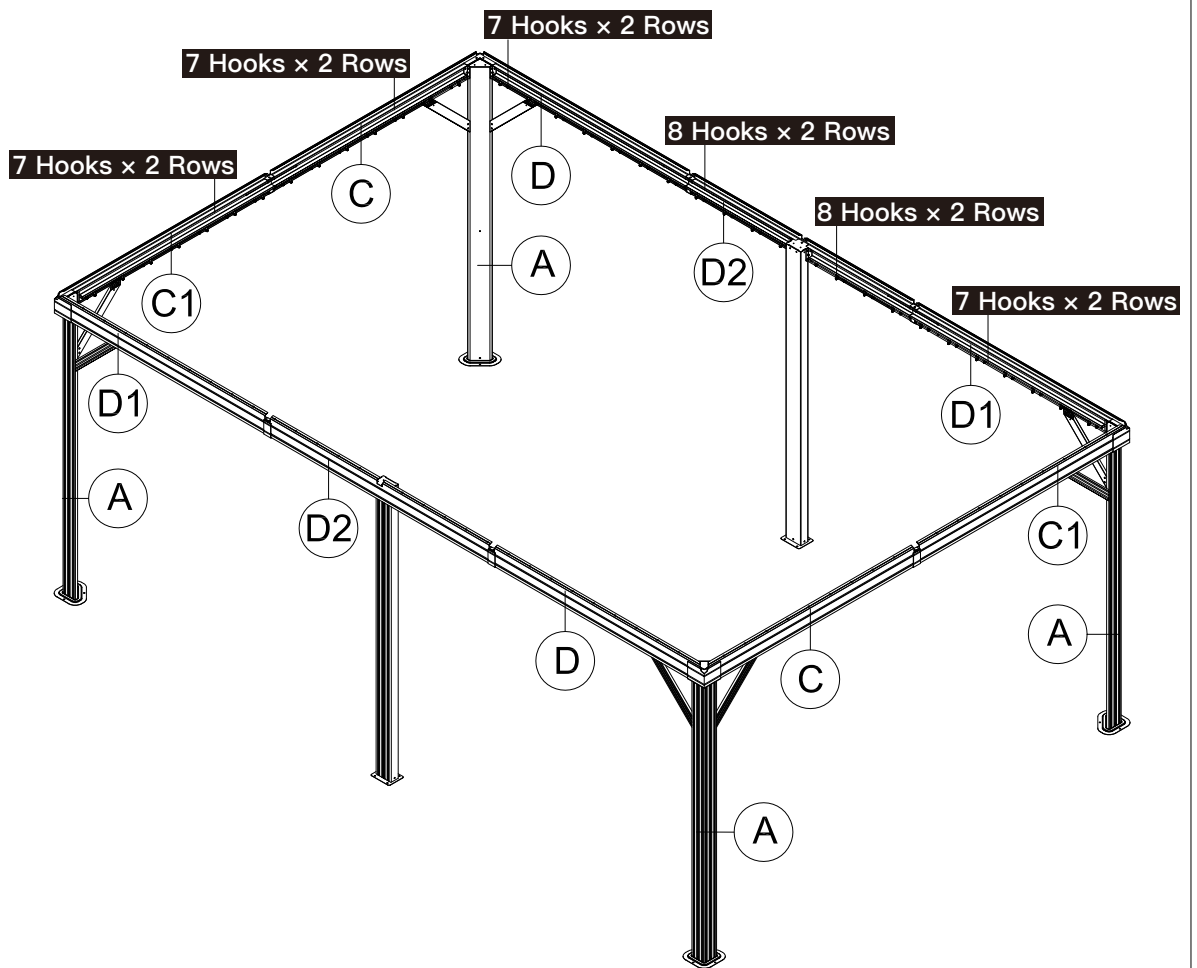
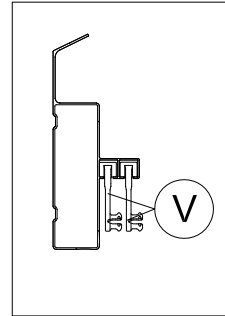


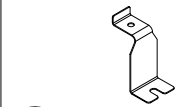
(1) Attach roof panels to finishing bars with 2 Self-tapping Screws #3.

(2) Repeat the above procedures to assemble the opposite side.

How to Put the **144 Hooks** into the Double-track

Double-track





T1 2x

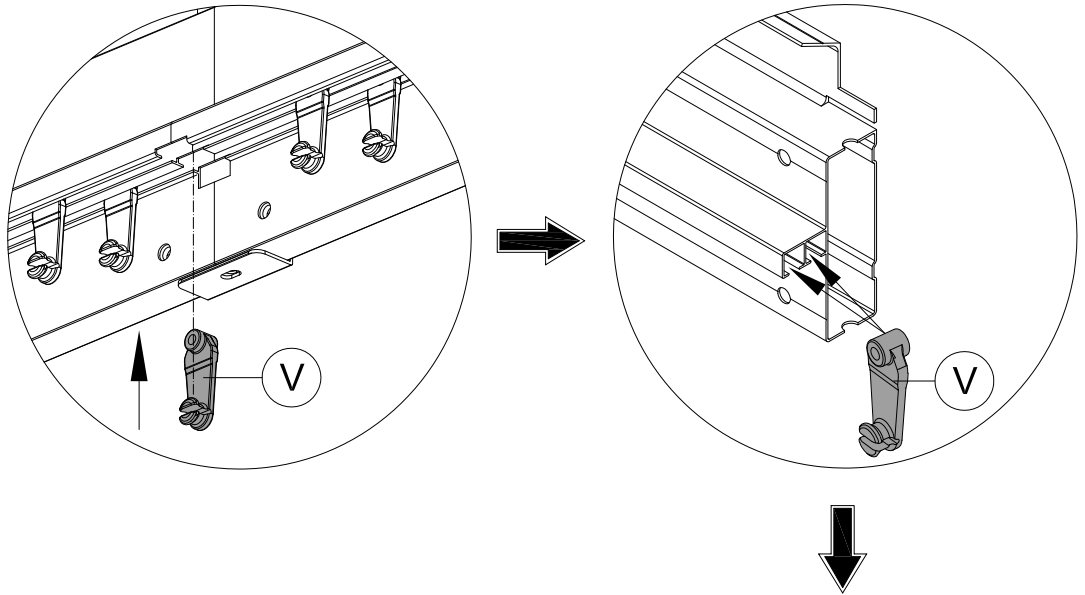


V 56x

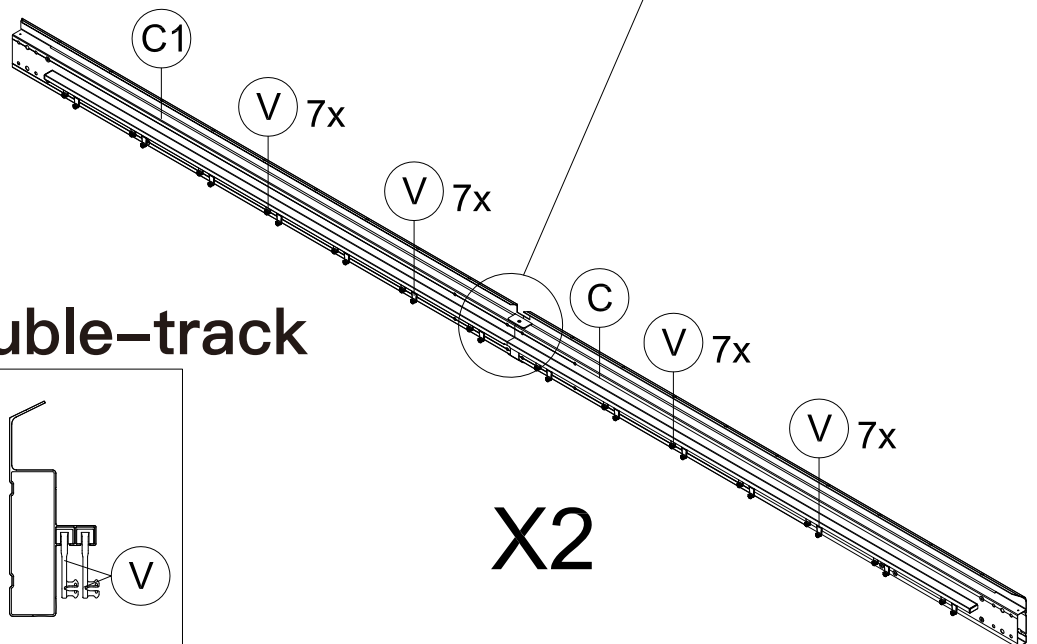
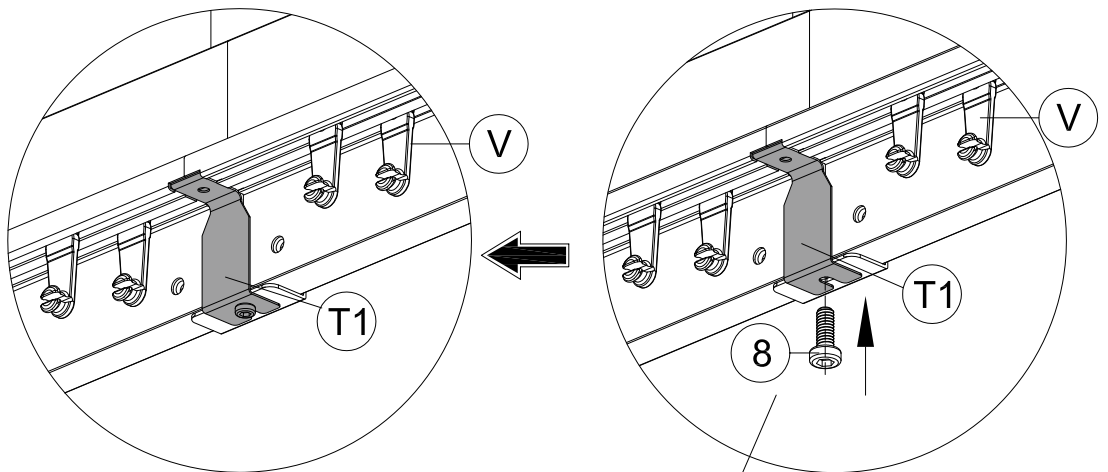


1 1x

(1) Place 7 hooks on each slot of the Sidewall Track(C1&C).



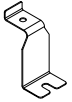



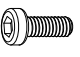
(2) Install Part #T1 at the joint of Part C&C1 with Bolt #8.



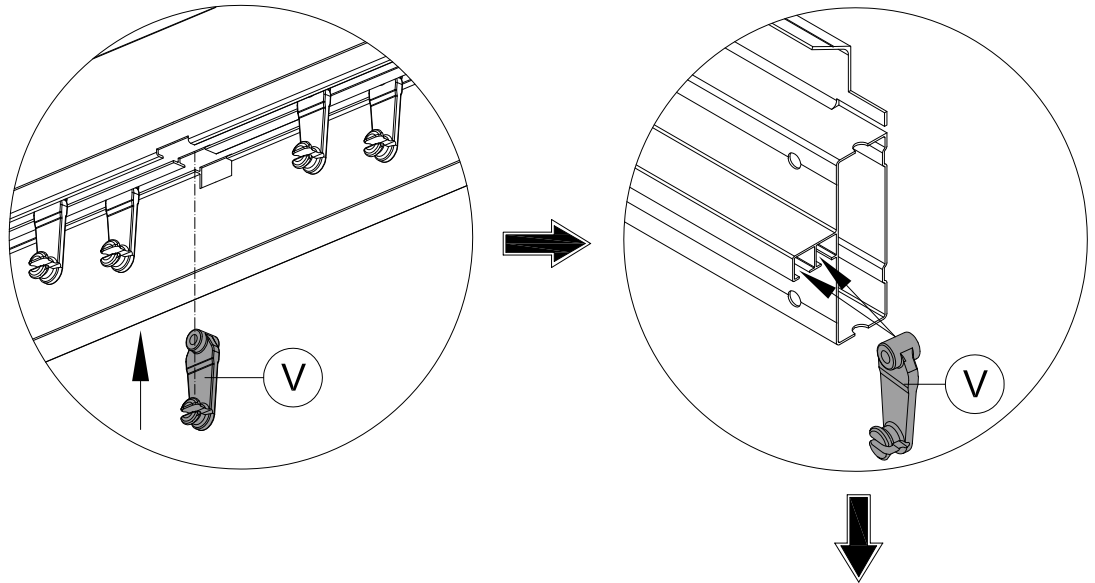
Double-track

X2

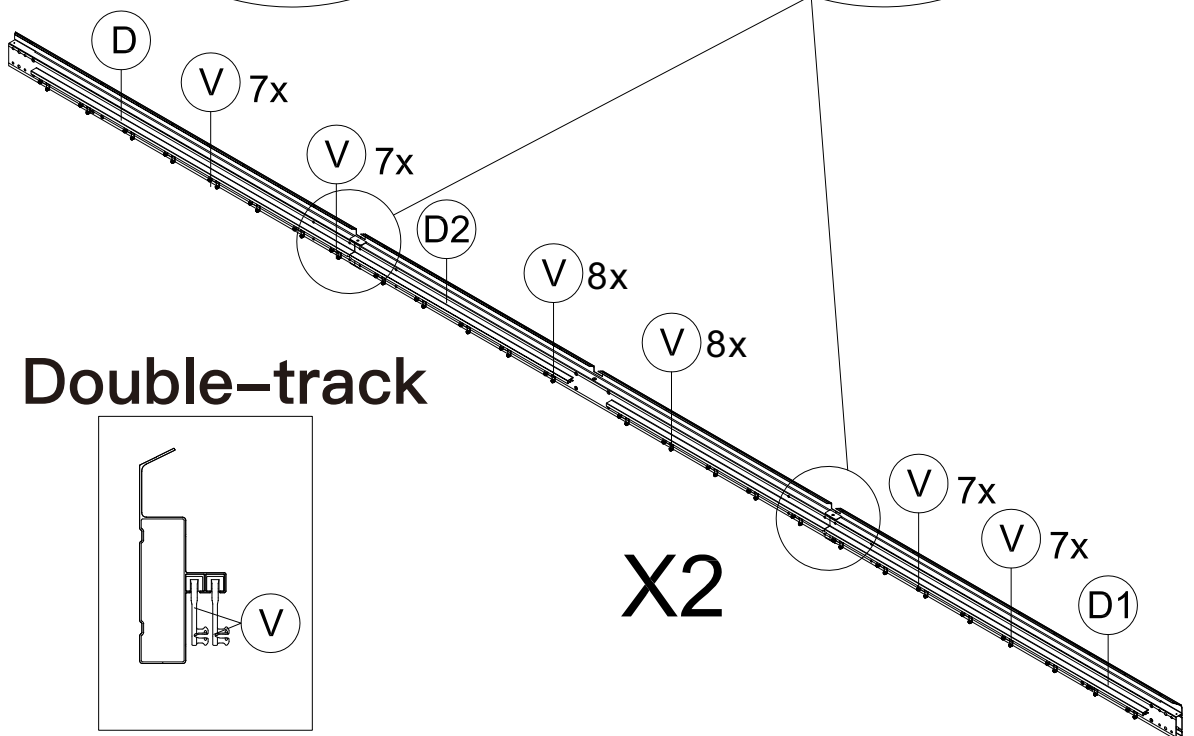
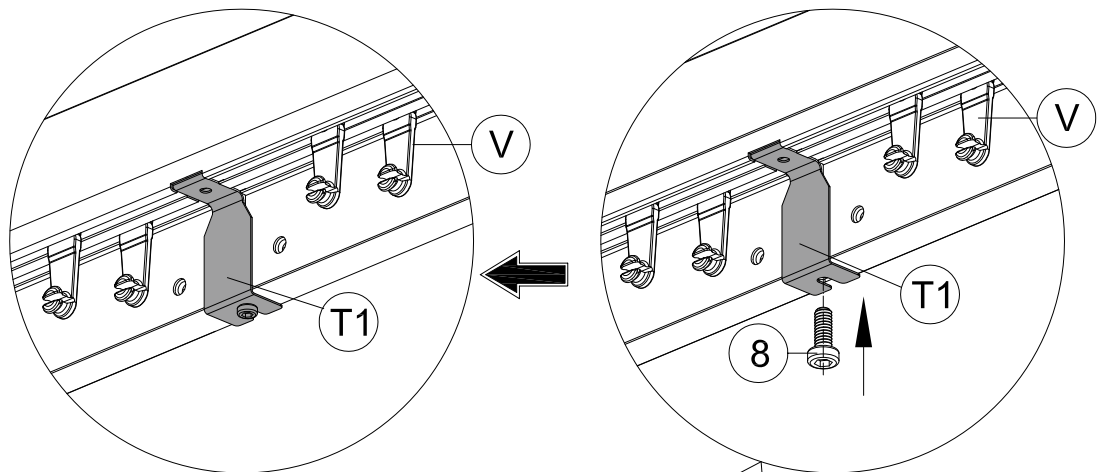
(3) Repeat the above procedures to assemble the opposite side.

	(T1) 4x
	(V) 88x
	S4
	(1) 1x
	(8) 2x M6x16
60	

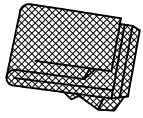
- (1) Place 7 hooks on each slot of the Sidewall Track(D&D1).
 (2) Place 8 hooks on each slot of the Sidewall Track(D2).



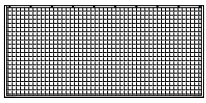
- (3) Install Part #T1 at the middle of Part #D&D1&D2 with Bolt #8.



- (4) Repeat the above procedures to assemble the opposite side.

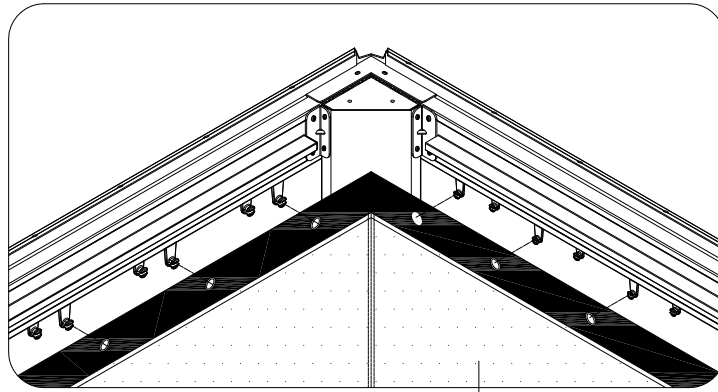


Y1 4x

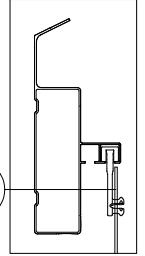


Y2 2x

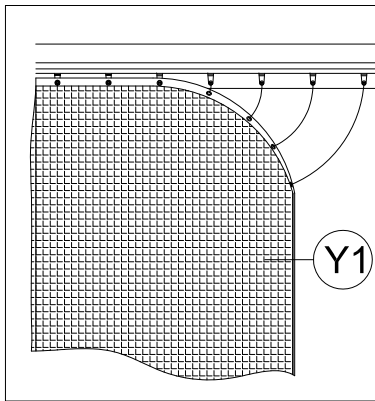
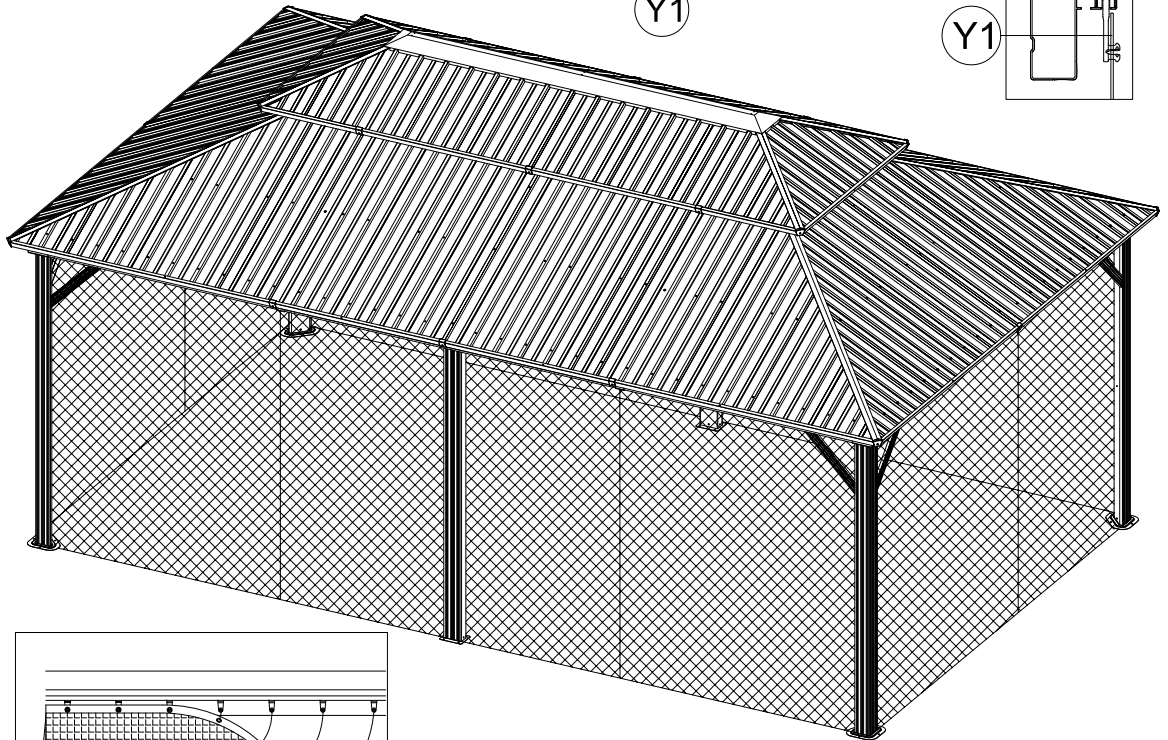
Hang up Mosquito Sidewalls to **Inside Track**



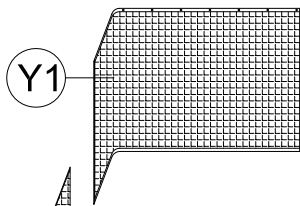
Y1



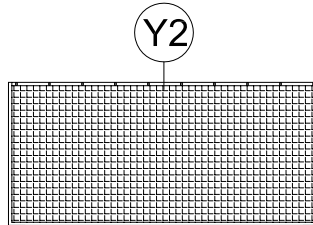
Y1



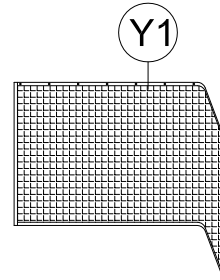
Y1



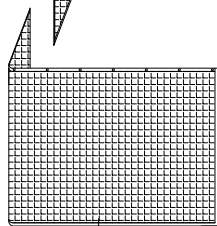
Y1



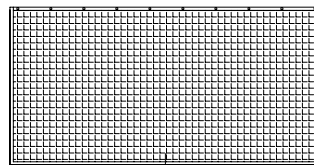
Y2



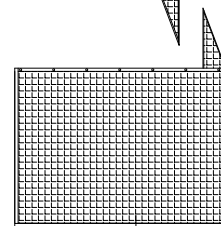
Y1



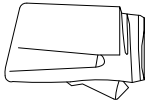
Y1



Y2



Y1

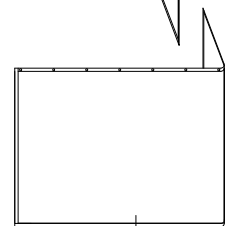
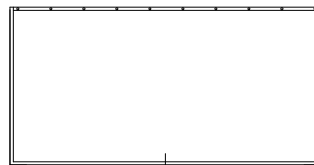
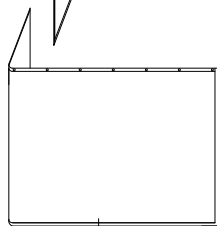
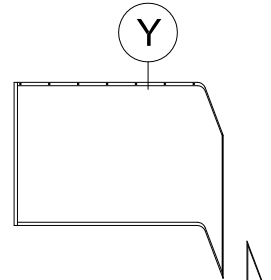
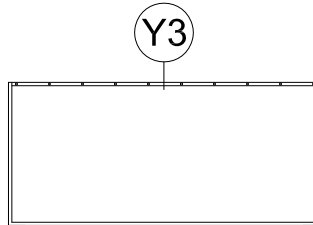
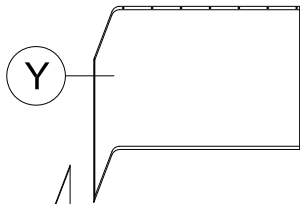
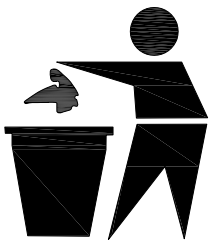
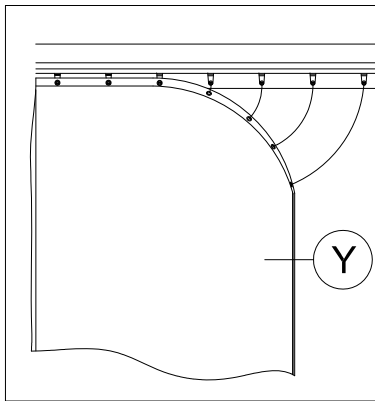
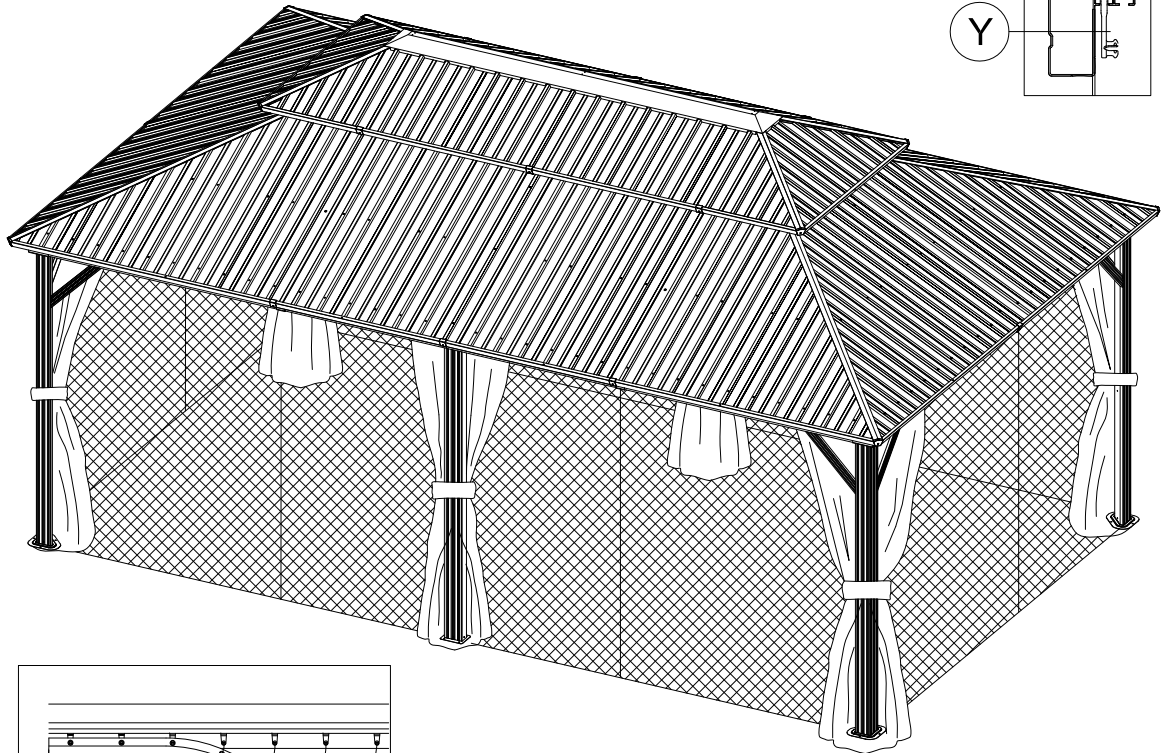
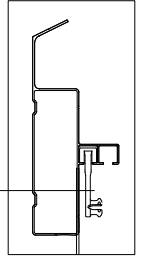
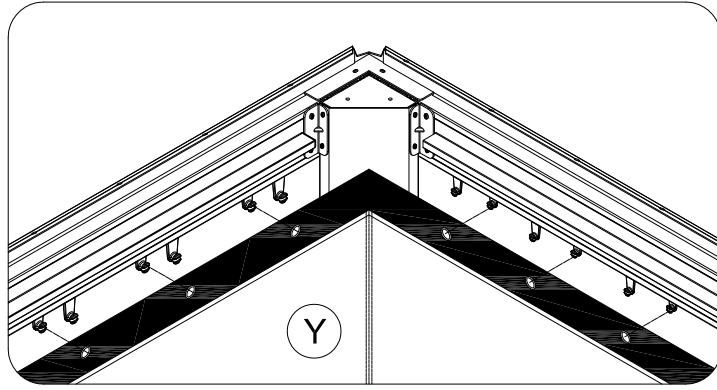


Y 4x



Y3 2x

Hang up Solid Sidewalls to Outside Track



Y

Y3

Y