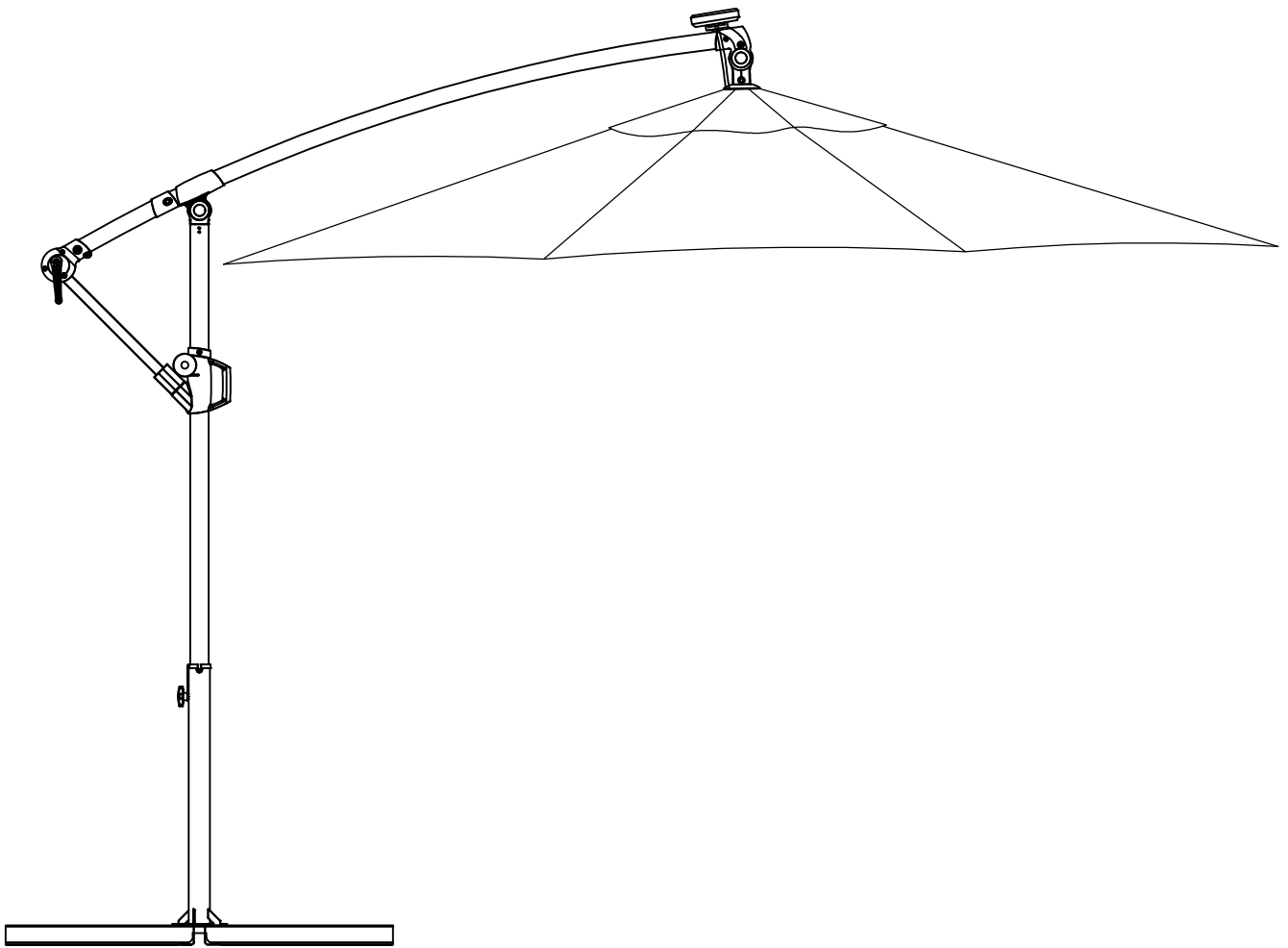
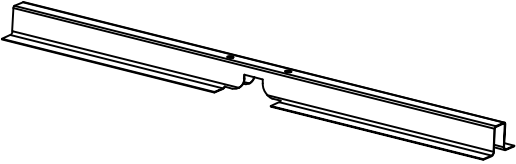
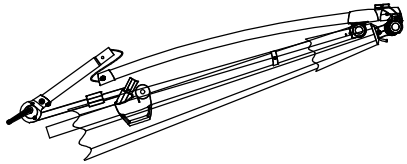
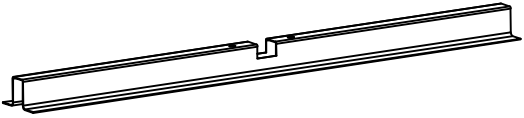

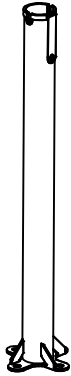
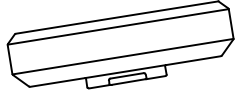
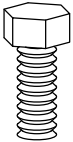




ASSEMBLY INSTRUCTION

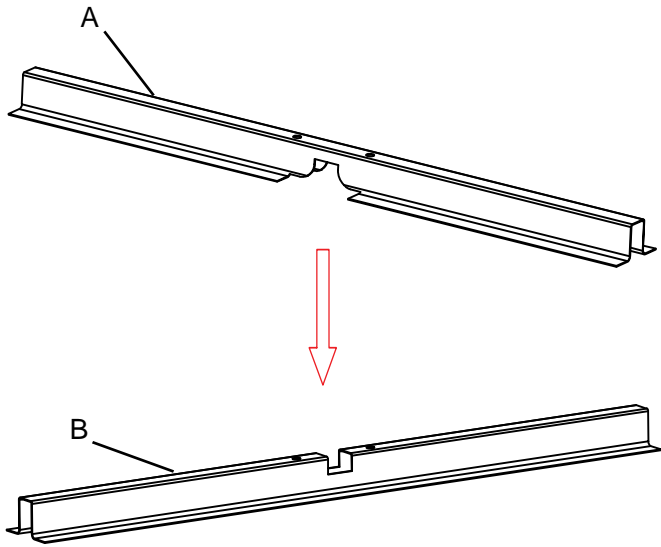
10FT LED Hanging Umbrella New



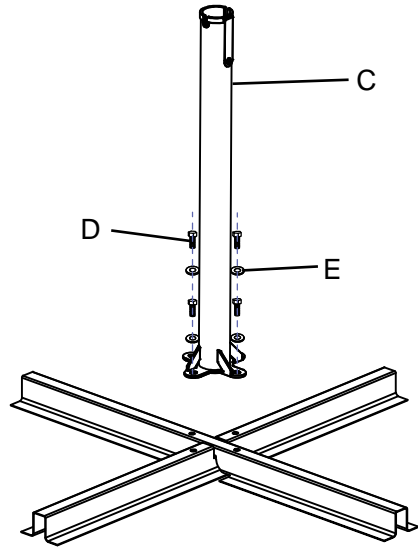
Customer Service : contactus24service@gmail.com
Phone : 888-257-3857

| | | | | | |
|---|---|---|---|---|--|
| A | 1 |  | G | 1 |  |
| B | 1 |  | H | 1 |  |
| C | 1 |  | I | 1 |  |
| D | 4 |  | | | |
| E | 4 |  | | | |
| F | 1 |  | | | |

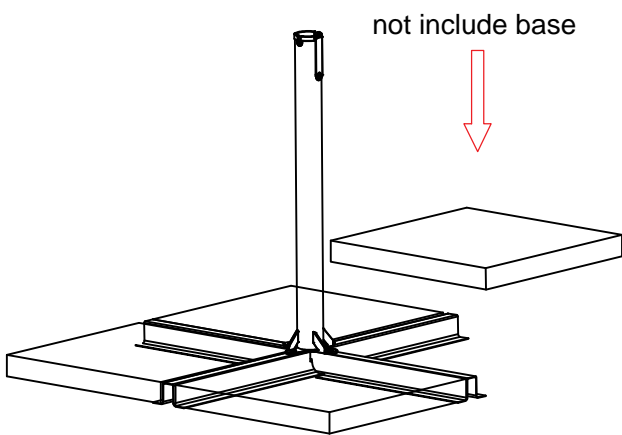
01:



02:

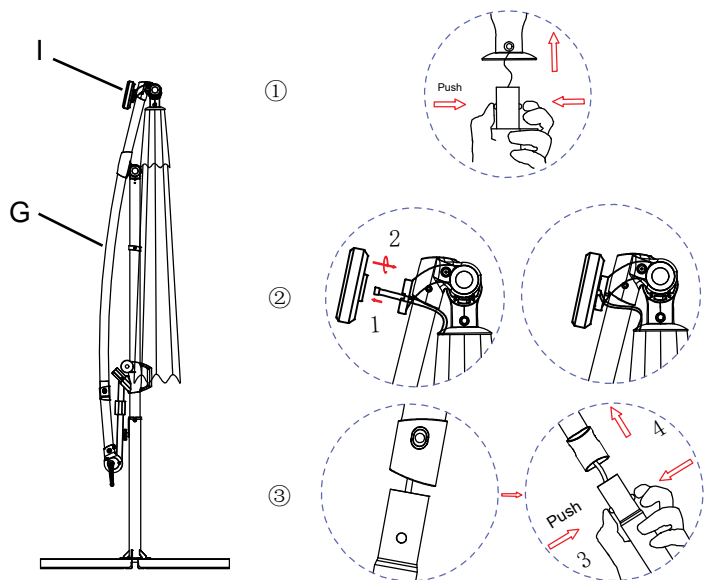


03:

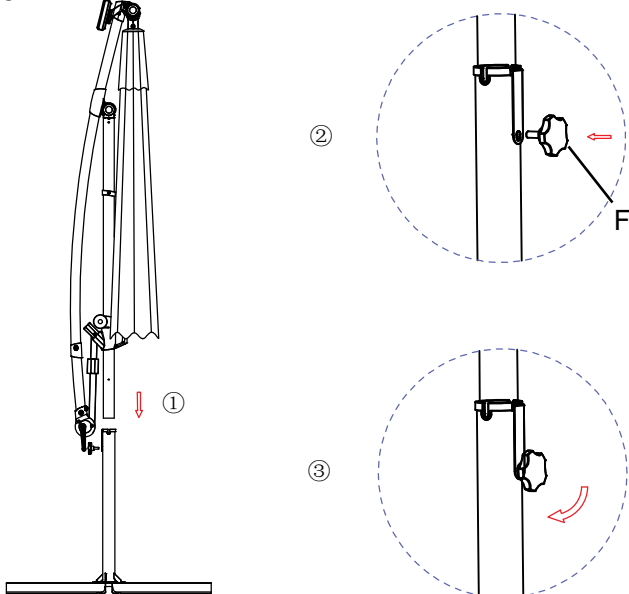


04:

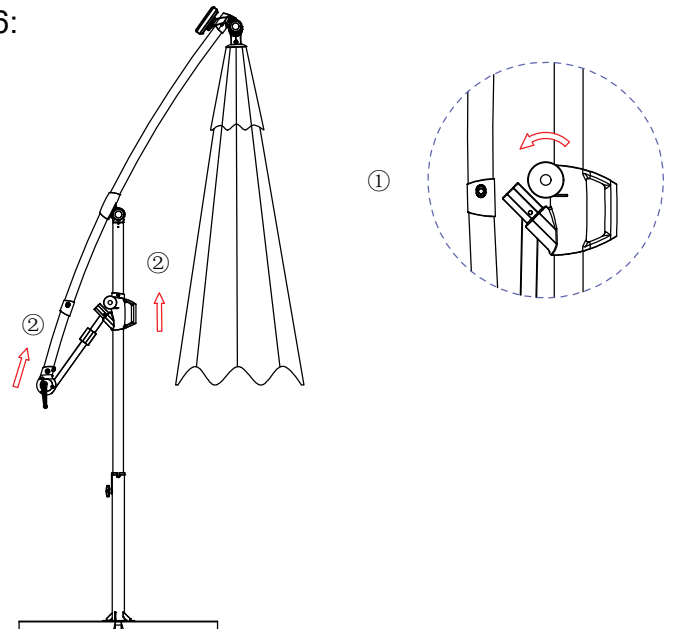
Note : Please check if the rope is tightened before installation



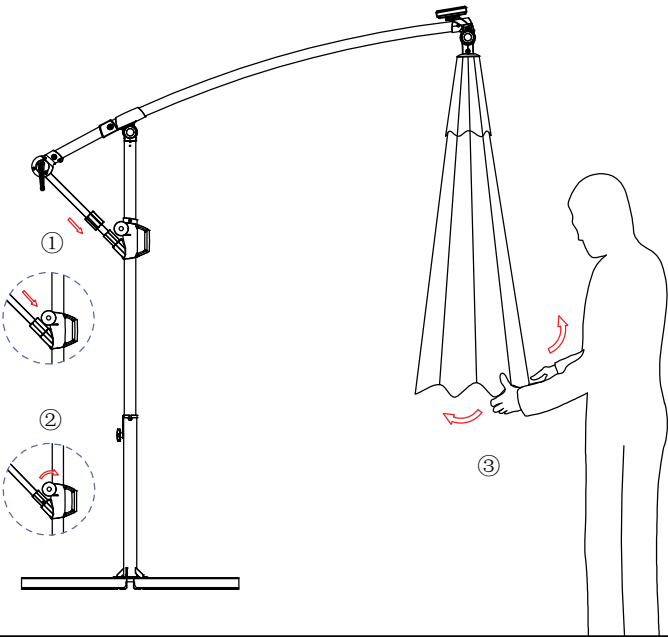
05:



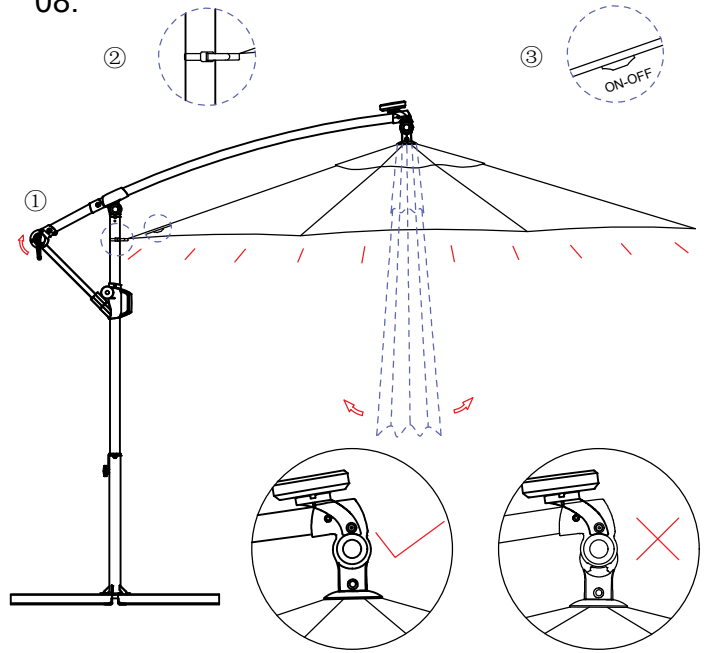
06:



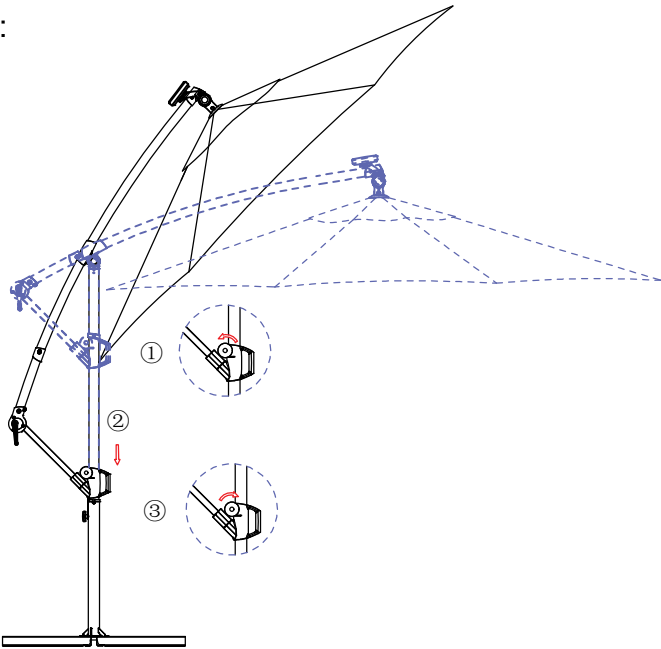
07:



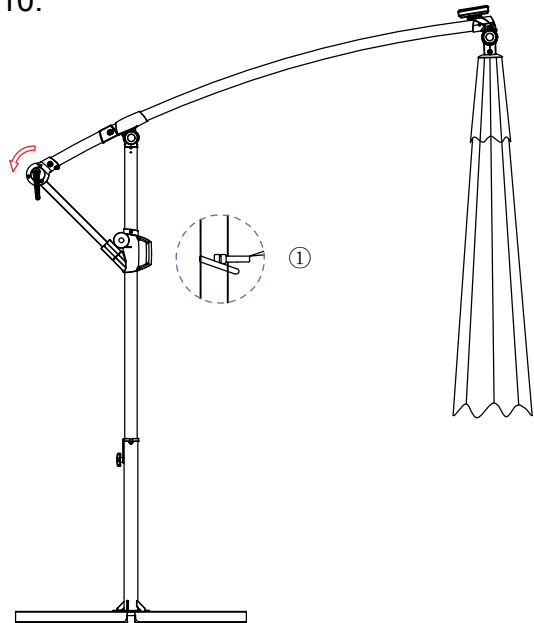
08:



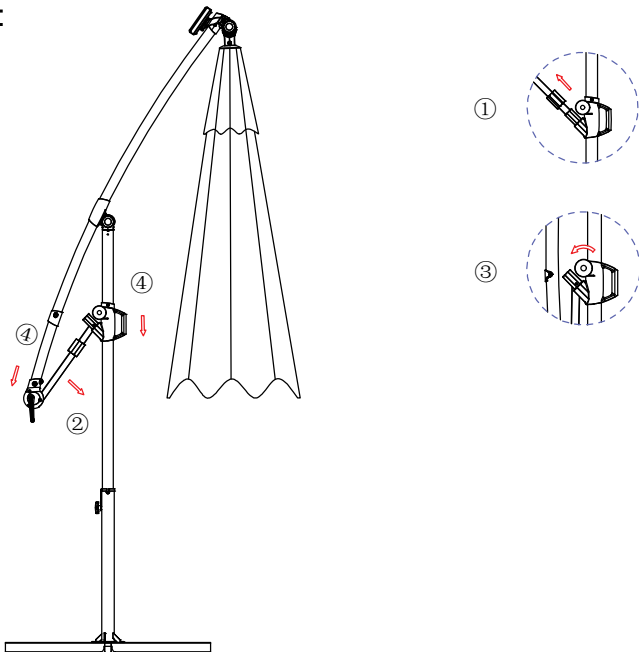
09:



10:



11:



12:

