

INSTRUCTION MANUAL

3-Seater Outdoor Swing
with Canopy

NOTICE

Please retain these instructions for future reference.

- Please do not exceed the weight limitations of this item.
- Do not stand on or use any part of this item as a step ladder.
- Firmly secure all bolts, screws and knobs before use.
- Reconfirm that all bolts, screws, and knobs are secure every 90 days.
- Fasten screws loosely during initial assembly. Do not firmly tighten the screws until the item is completely assembled.
- Be aware that some parts are heavy and have sharp edges.
- If any parts are missing, broken, damaged, or worn, stop using this product until repairs are made and/or factory replacement parts are installed.
- Do not use this item in a way inconsistent with the manufacturer's instructions as this could void the product warranty.

TOOLS REQUIRED



ALLEN WRENCH
(PROVIDED)



WRENCH
(PROVIDED)



450 LBS
CAPACITY

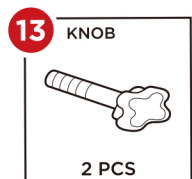
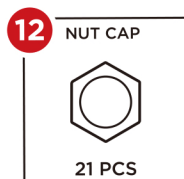
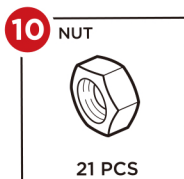
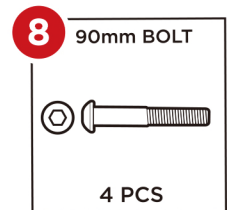
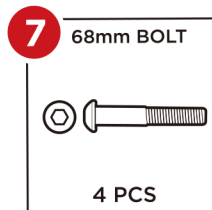
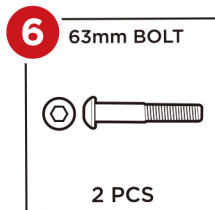
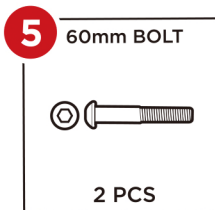
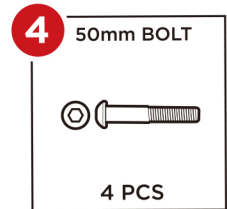
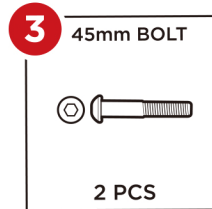
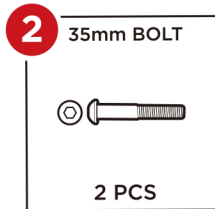
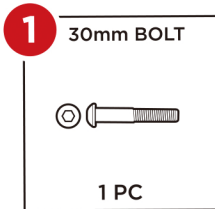


2 PERSON
ASSEMBLY

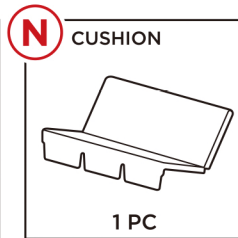
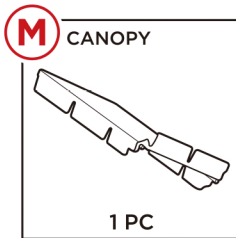
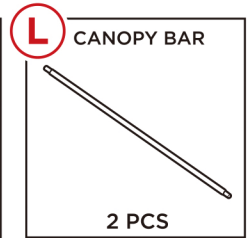
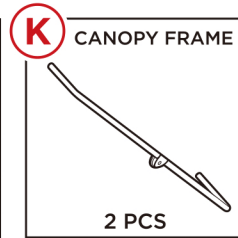
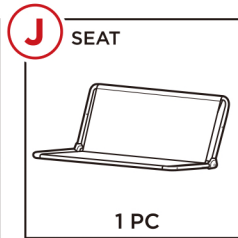
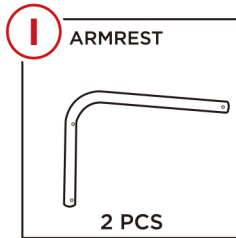
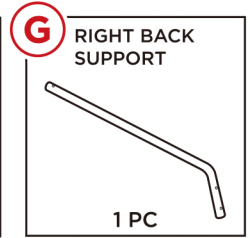
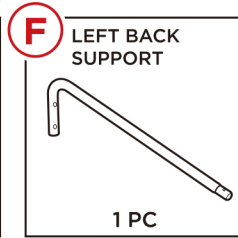
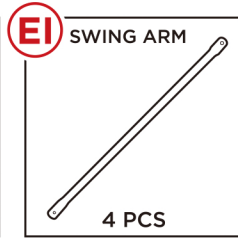
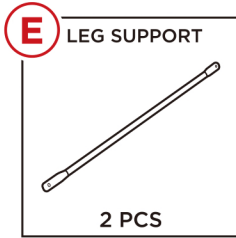
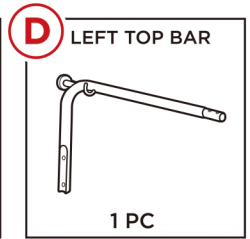
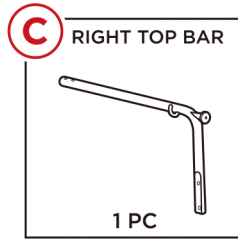
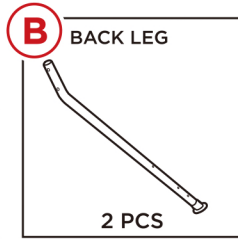
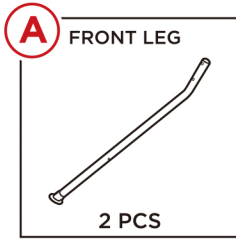


UP TO 45 MIN.
ASSEMBLY

HARDWARE

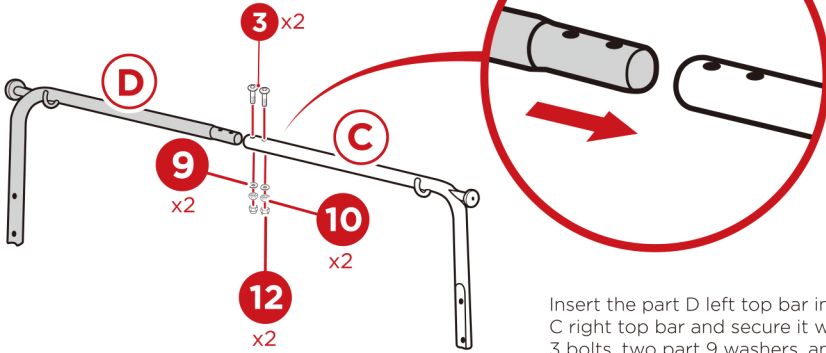


PARTS



PRODUCT ASSEMBLY

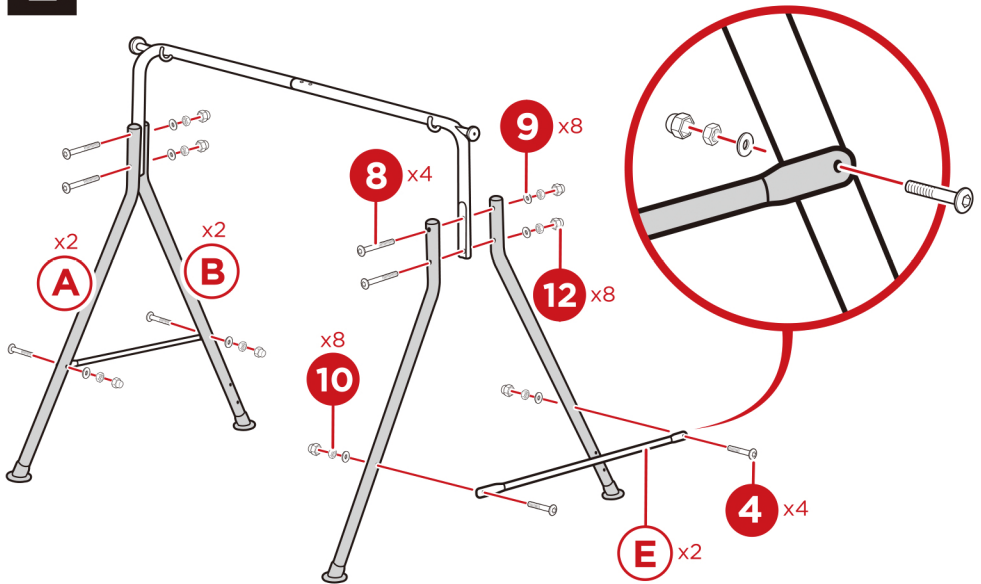
1



Insert the part D left top bar into the part C right top bar and secure it with two part 3 bolts, two part 9 washers, and two part 10 nuts.

Place a part 12 nut cap on every nut.

2

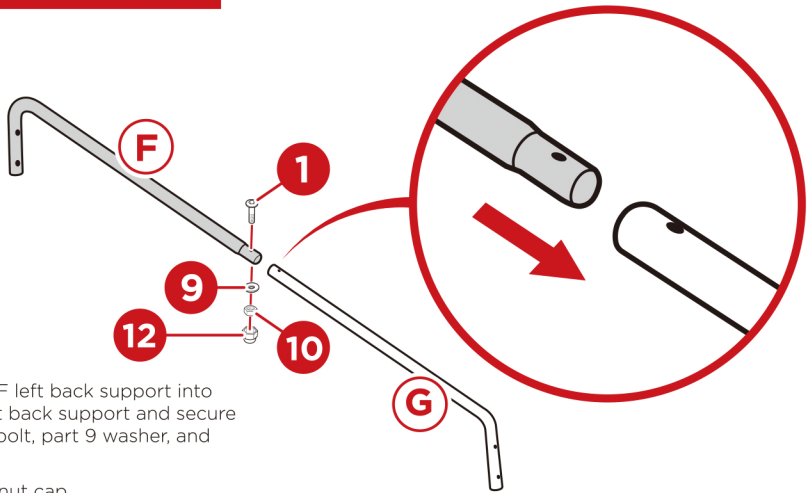


Attach a part A front leg and part B back leg to the top bar with two part 8 bolts, two part 9 washers, and two part 10 nuts. Attach a part E leg support with two part 4 bolts, two part 9 washers, and two part 10 nuts. Repeat on the other side.

Place a part 12 nut cap on every nut.

PRODUCT ASSEMBLY

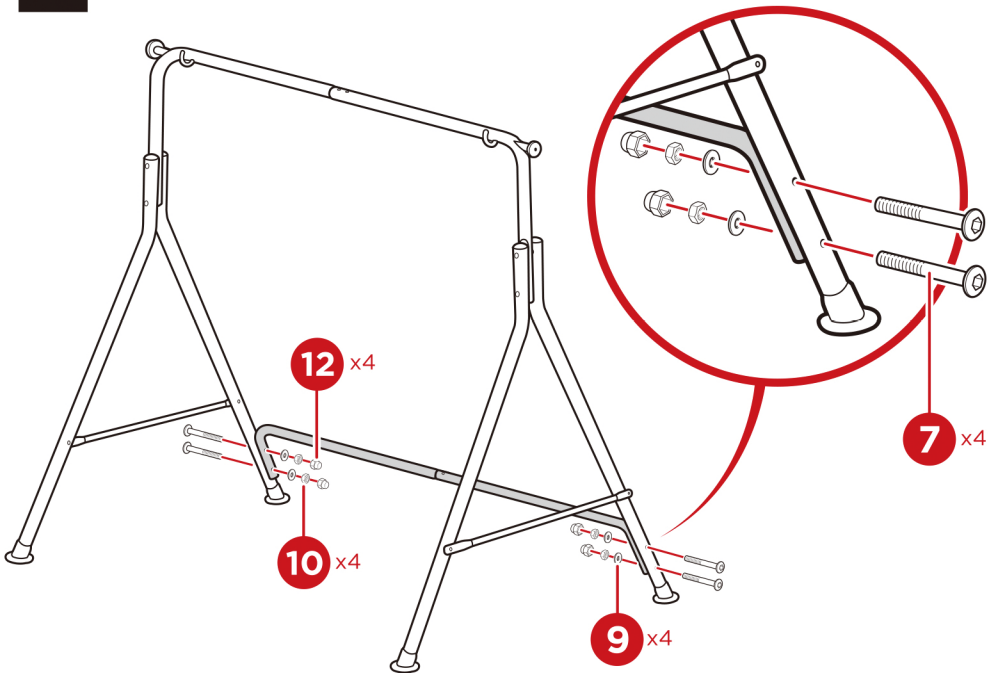
3



Insert the part F left back support into the part G right back support and secure it with a part 1 bolt, part 9 washer, and part 10 nut.

Place a part 12 nut cap.

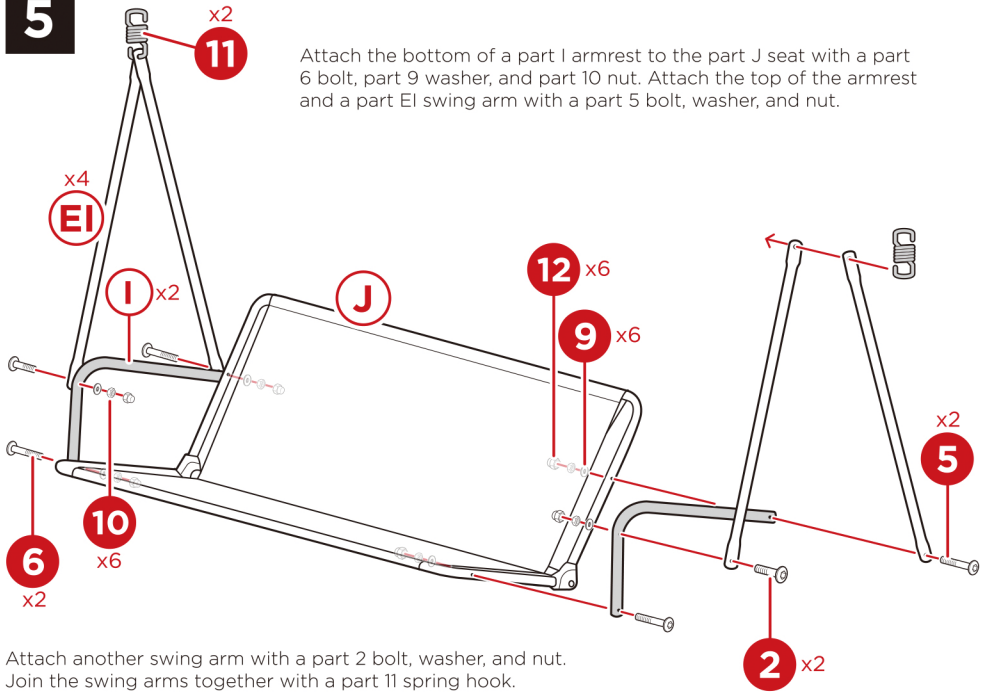
4



Attach the back support to the frame with four part 7 bolts, four part 9 washers, and four part 10 nuts. Place a part 12 nut cap on every nut.

PRODUCT ASSEMBLY

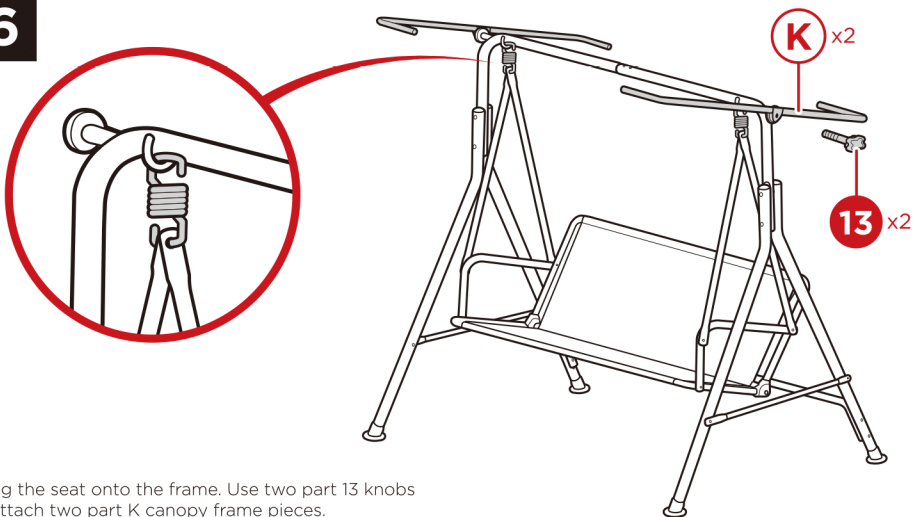
5



Attach another swing arm with a part 2 bolt, washer, and nut. Join the swing arms together with a part 11 spring hook. Repeat on the other side.

Place a part 12 nut cap on every nut.

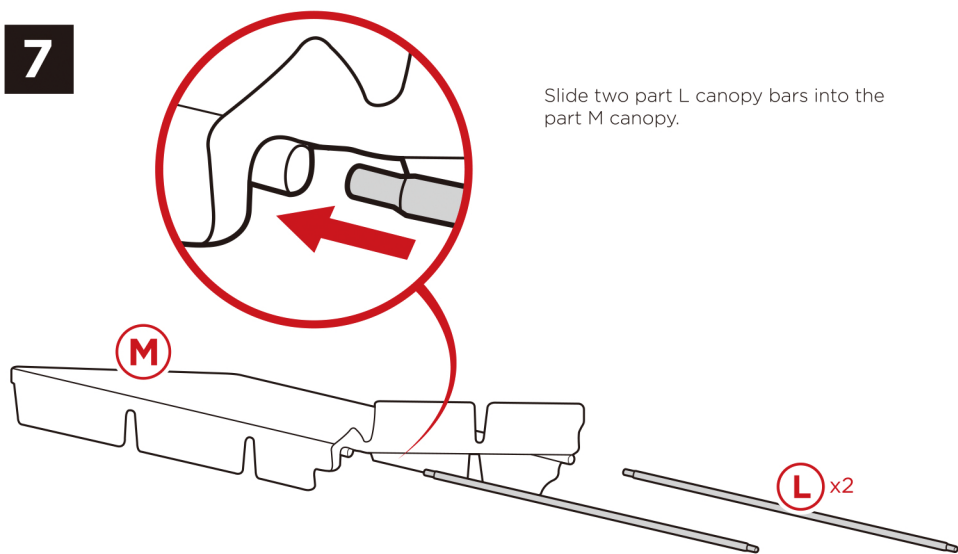
6



Hang the seat onto the frame. Use two part 13 knobs to attach two part K canopy frame pieces.

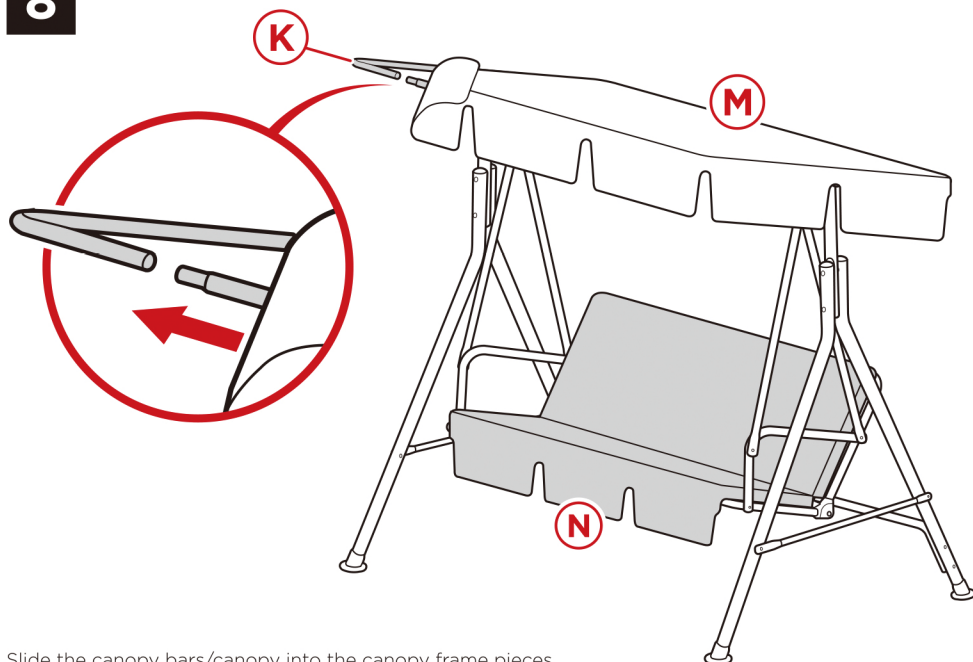
PRODUCT ASSEMBLY

7



Slide two part L canopy bars into the part M canopy.

8



Slide the canopy bars/canopy into the canopy frame pieces.
Place the part N cushion.

PRODUCT WARRANTY INFORMATION

1. For any quality problems or non-quality problems, just email us on Amazon, and then we will make it right for you ASAP.
2. For any quality problems, return is totally free in 30 days. But before that, please feel free to contact us on Amazon, we will work out some solutions for you. some pictures will be appreciated if needed.
3. For any personal reasons, if you'd like to return it back, we may need to charge you the shipping fee after we receive it. Of course the return label will be prepaid for you to help you return it back.
4. For any return, do remember to keep the original packaging. It's quite important for the return. If not, the box will be refused by our warehouses.

WARNING

Manufacturer and seller expressly disclaim any and all liability for personal injury, property damage or loss, whether direct, indirect, or incidental, resulting from the incorrect attachment, improper use, inadequate maintenance, unapproved modification, or neglect of this product.