

INSTRUCTION MANUAL

3-Seater Outdoor Swing
with Canopy

NOTICE

Please retain these instructions for future reference.

- Please do not exceed the weight limitations of this item.
- Do not stand on or use any part of this item as a step ladder.
- Firmly secure all bolts, screws and knobs before use.
- Reconfirm that all bolts, screws, and knobs are secure every 90 days.
- Fasten screws loosely during initial assembly. Do not firmly tighten the screws until the item is completely assembled.
- Be aware that some parts are heavy and have sharp edges.
- If any parts are missing, broken, damaged, or worn, stop using this product until repairs are made and/or factory replacement parts are installed.
- Do not use this item in a way inconsistent with the manufacturer's instructions as this could void the product warranty.

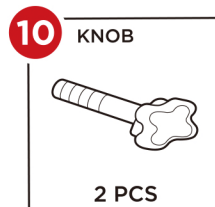
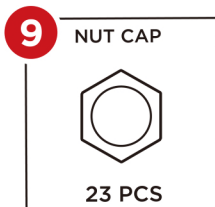
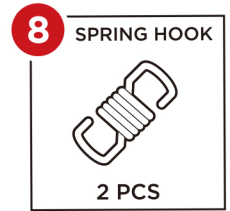
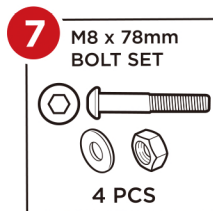
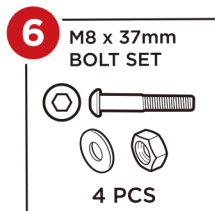
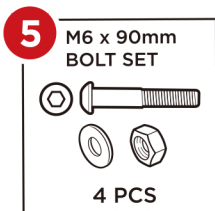
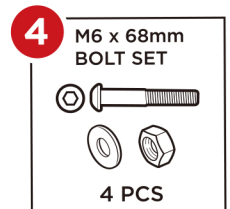
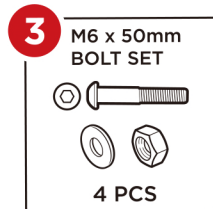
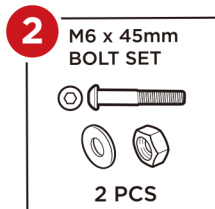
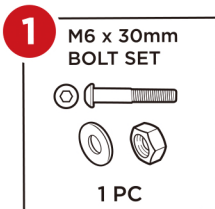
TOOLS REQUIRED



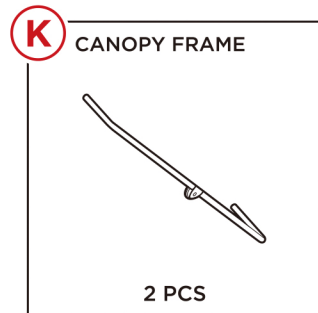
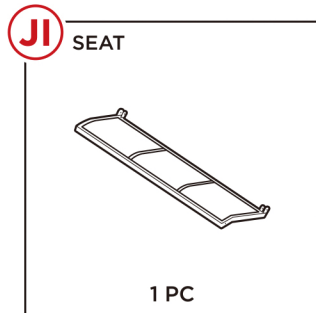
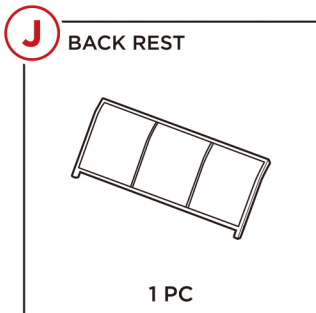
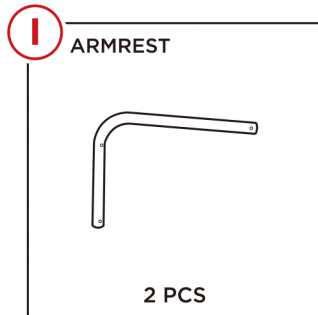
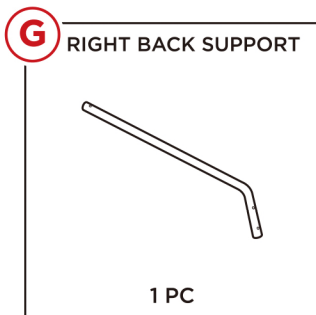
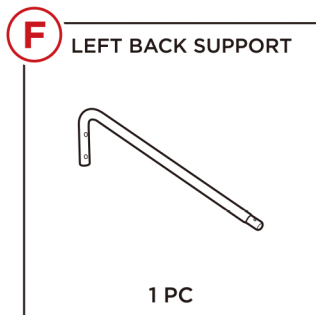
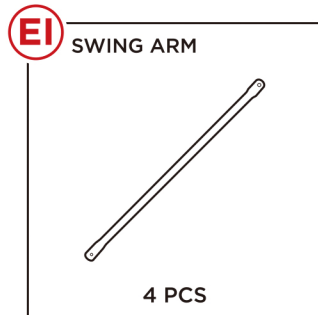
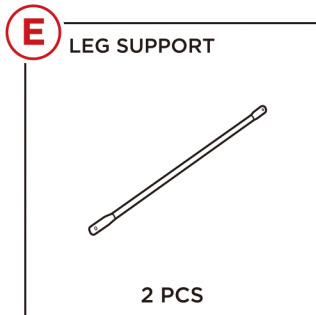
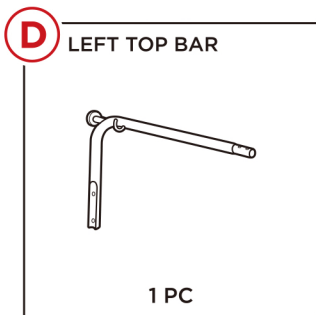
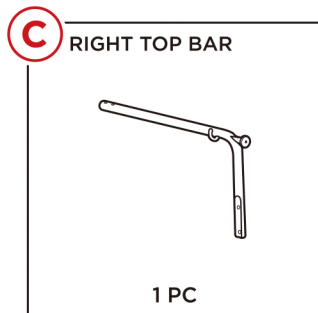
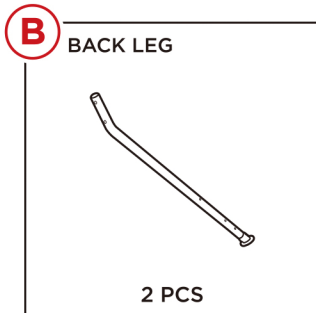
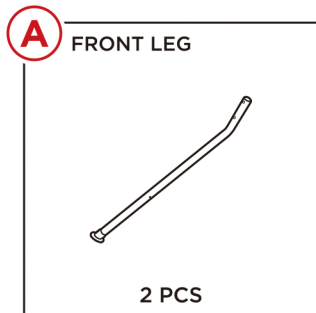
550 LBS
CAPACITY



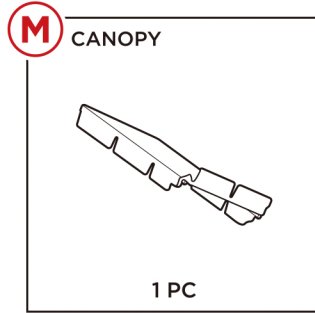
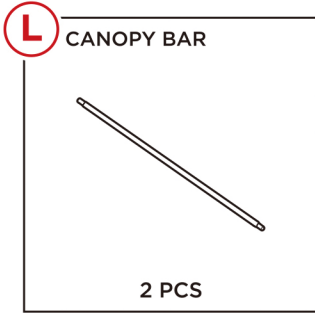
HARDWARE



PARTS



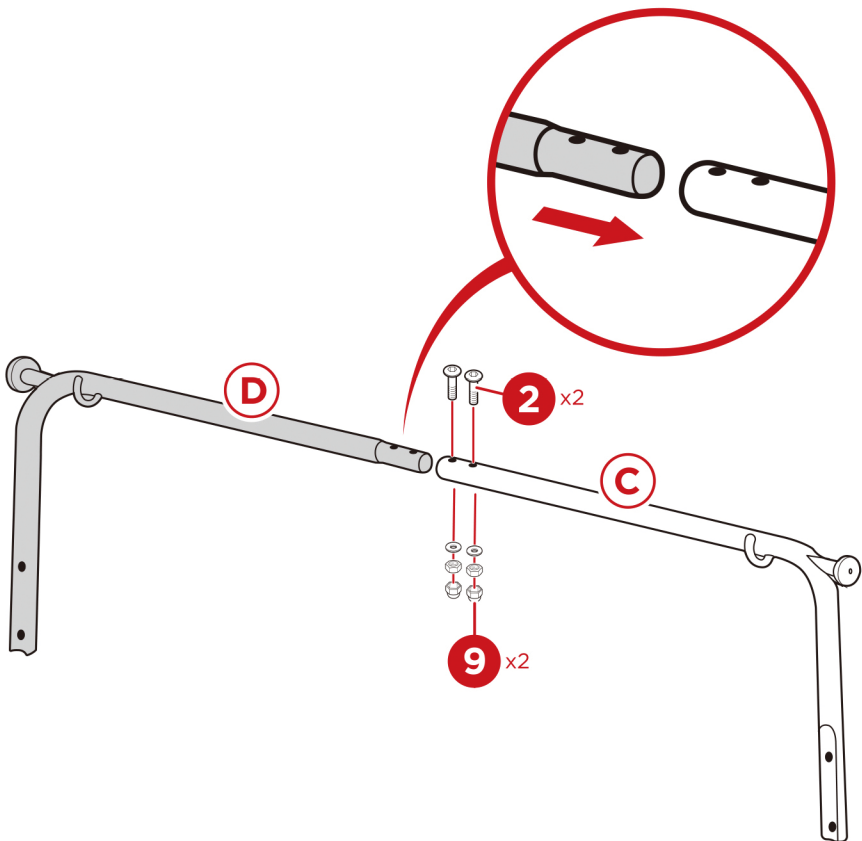
PARTS



PRODUCT ASSEMBLY

1

Insert the part D left top bar into the part C right top bar and secure it with two part 2 bolt sets.
Place a part 9 nut cap on every nut.

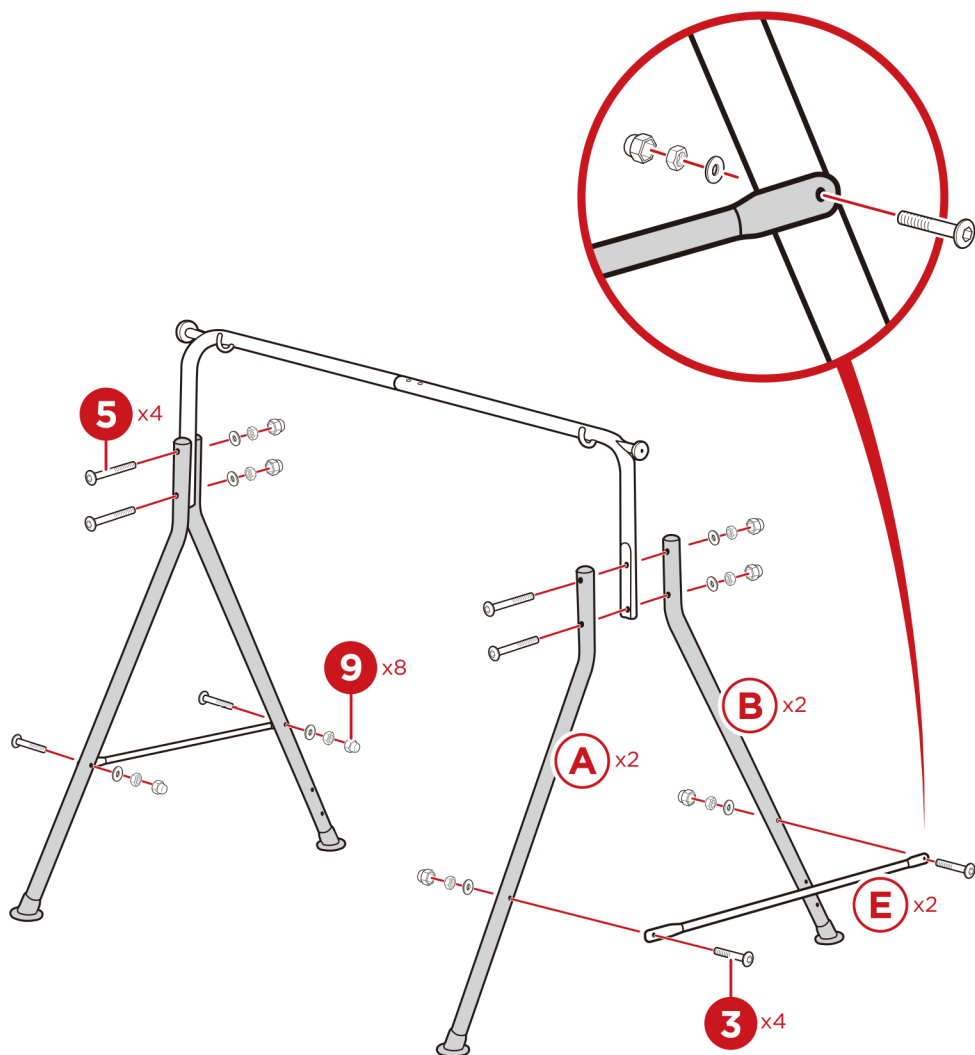


PRODUCT ASSEMBLY

2

Attach a part A front leg and part B back leg to the top bar with two part 5 bolt sets. Attach a part E leg support with two part 3 bolt sets. Repeat on the other side.

Place a part 9 nut cap on every nut.

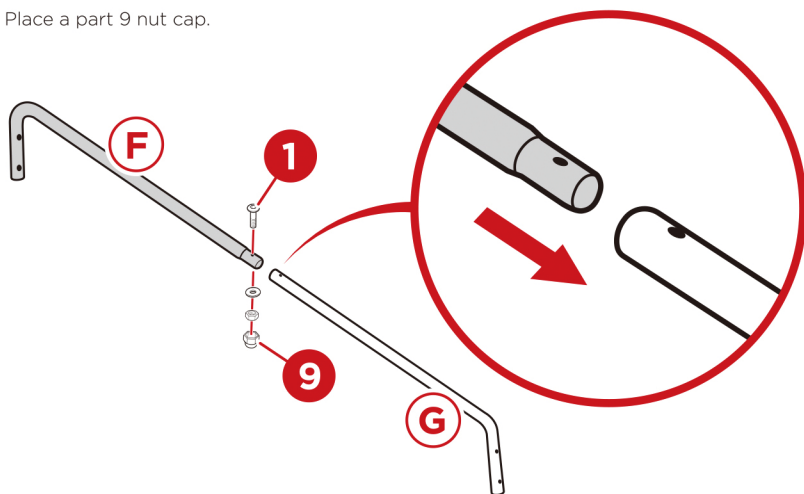


PRODUCT ASSEMBLY

3

Insert the part F left back support into the part G right back support and secure it with a part 1 bolt set.

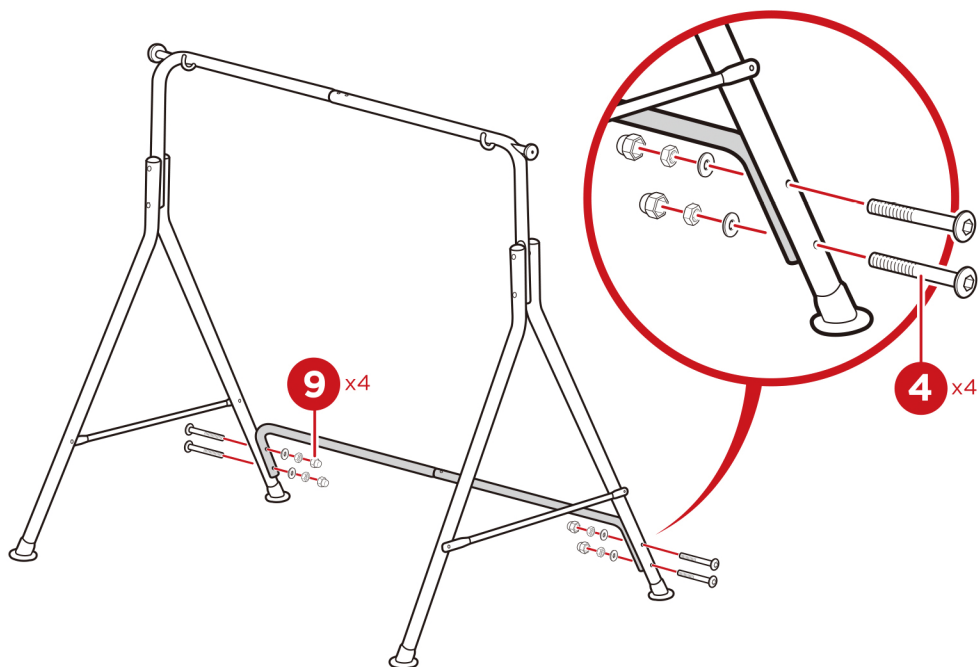
Place a part 9 nut cap.



4

Attach the back support to the frame with four part 4 bolt sets.

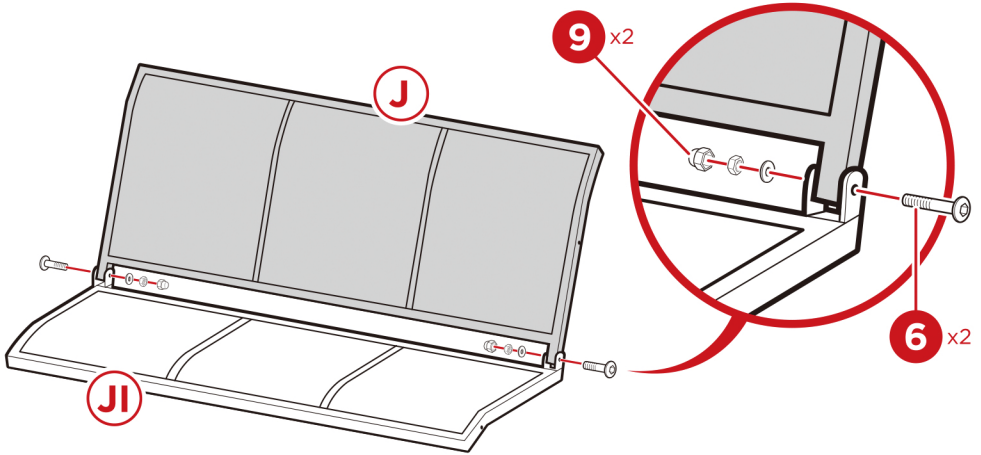
Place a part 9 nut cap on every nut.



PRODUCT ASSEMBLY

5

Attach the part J backrest to the part JI seat with two part 6 bolt sets, one on each side. Place a part 9 nut cap on every nut.

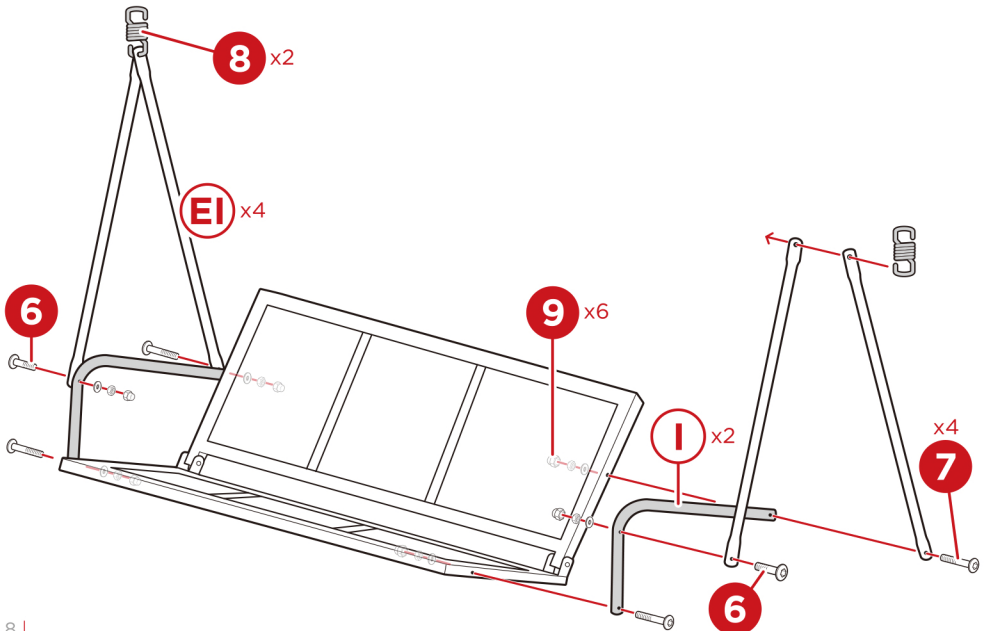


6

Attach the bottom of a part I armrest to the chair with a part 7 bolt set. Attach the top of the armrest and a part EI swing arm with a part 7 bolt set.

Attach another swing arm with a part 6 bolt set. Join the swing arms together with a part 8 spring hook. Repeat on the other side.

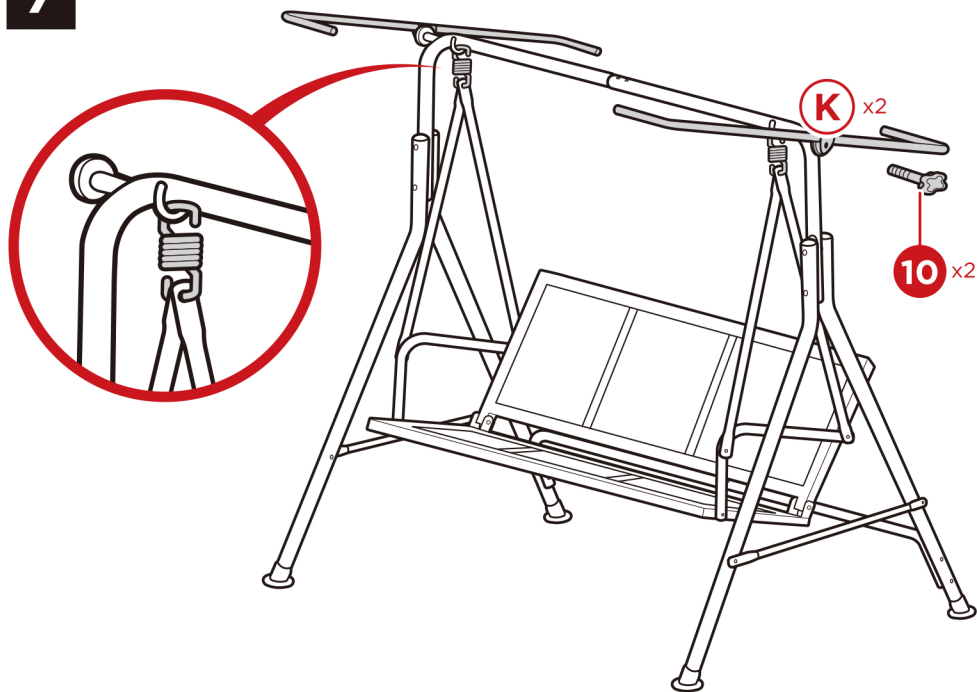
Place a part 9 nut cap on every nut.



PRODUCT ASSEMBLY

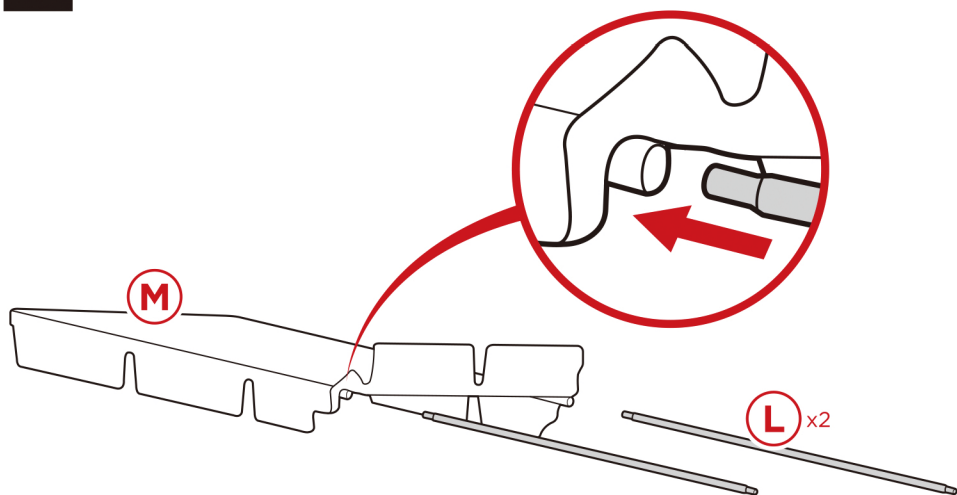
7

Hang the chair onto the frame. Use two part 10 knobs to attach two part K canopy frame pieces.



8

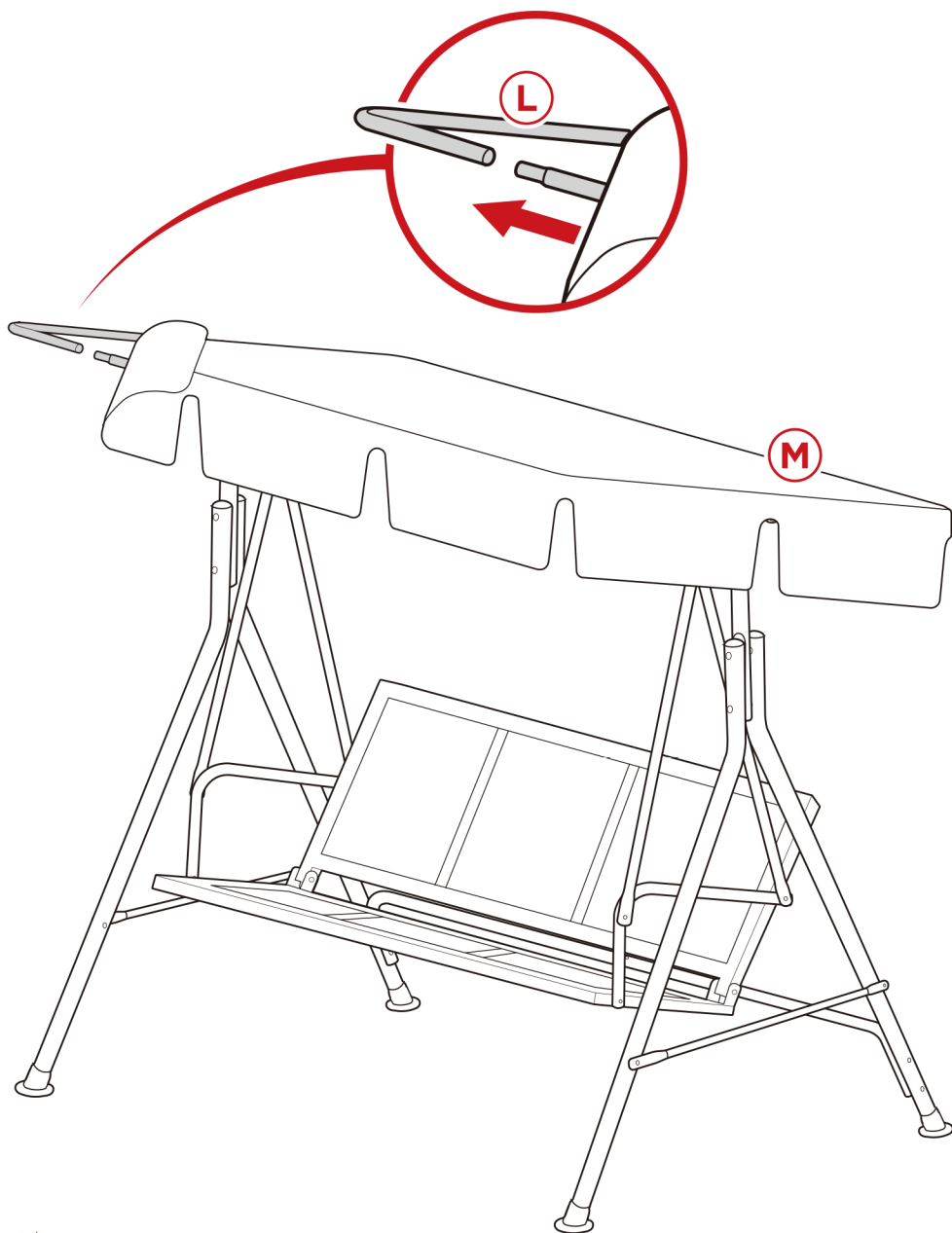
Slide two part M canopy bars into the part L canopy.



PRODUCT ASSEMBLY

9

Slide the canopy bars/canopy into the canopy frame pieces.



PRODUCT WARRANTY INFORMATION

1. For any quality problems or non-quality problems, just email us on Amazon, and then we will make it right for you ASAP.
2. For any quality problems, return is totally free in 30 days. But before that, please feel free to contact us on Amazon, we will work out some solutions for you. some pictures will be appreciated if needed.
3. For any personal reasons, if you'd like to return it back, we may need to charge you the shipping fee after we receive it. Of course the return label will be prepaid for you to help you return it back.
4. For any return, do remember to keep the original packaging. It's quite important for the return. If not, the box will be refused by our warehouses.

WARNING

Manufacturer and seller expressly disclaim any and all liability for personal injury, property damage or loss, whether direct, indirect, or incidental, resulting from the incorrect attachment, improper use, inadequate maintenance, unapproved modification, or neglect of this product.