

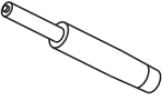


# ASSEMBLY INSTRUCTION





Kids chair  
DY-SY 2929XA-1 KD



## ComponentList

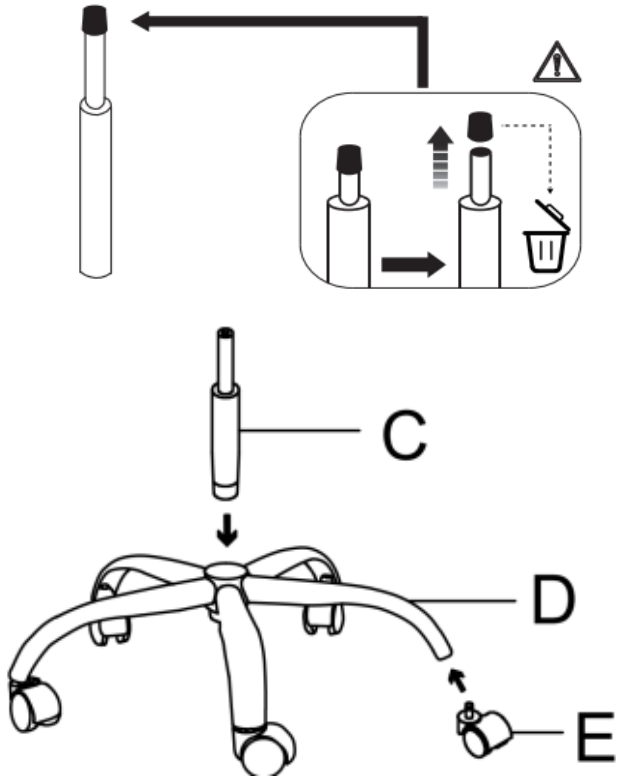
LABEL		DESCRIPTION	QTY
A		CHAIR SEAT	1
B		MECHANISM	1
C		GASLIFT	1

## HardwareList

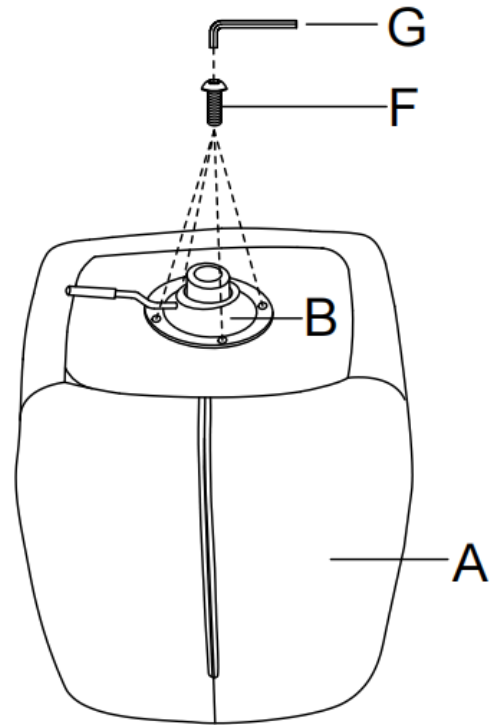
D		BASE	1
E		WHEELS	5
F		SREWS M6*18MM	4
G		ALLEN WRENCH	1

# AssemblySteps

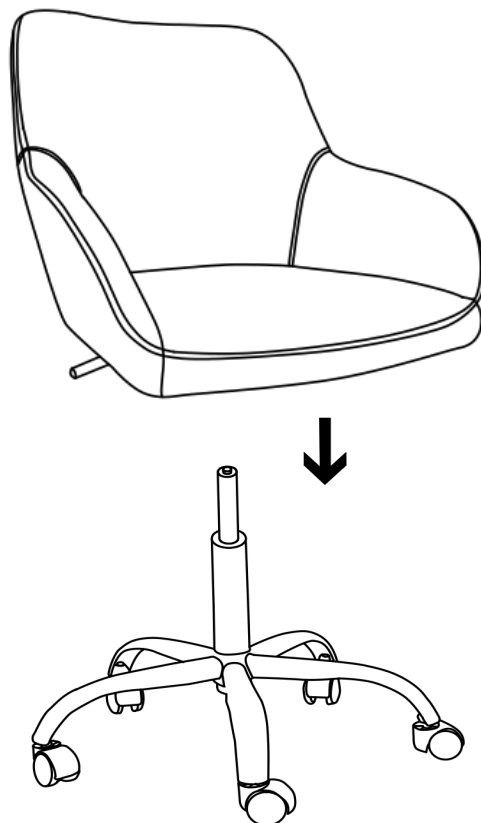
1



2



3



# AssemblySteps

4

