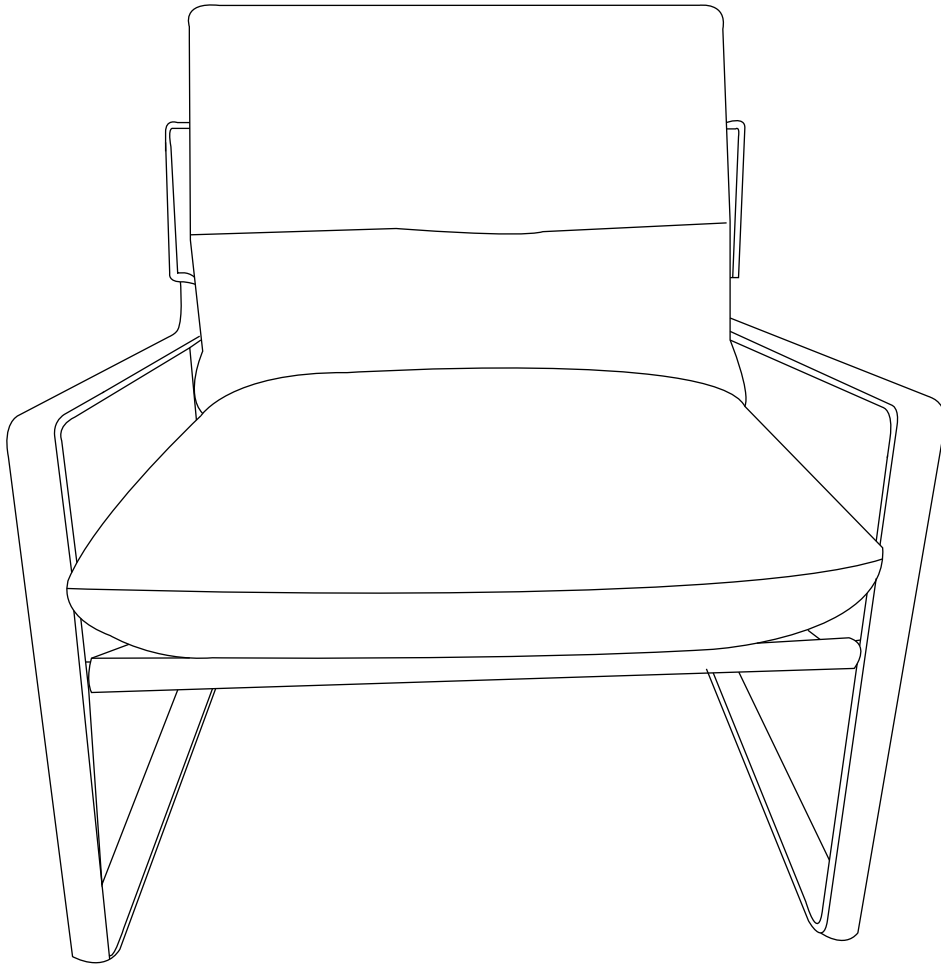




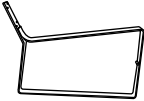






ASSEMBLY INSTRUCTION

Accent Chair

DY-WX 19002 /19002P-1PC

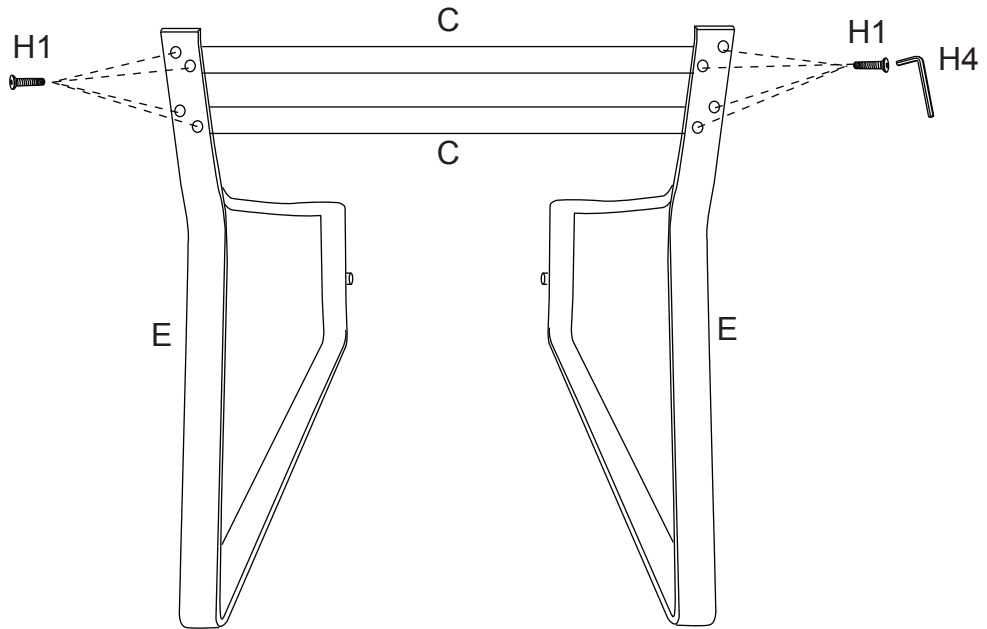


Component List			
LABEL		DESCRIPTION	QTY
A		Seat	1
B		Fabric Cover	1
C		Back Cross Bar	2
D		Seat Cross Bar	1
E		Metal Frame	2

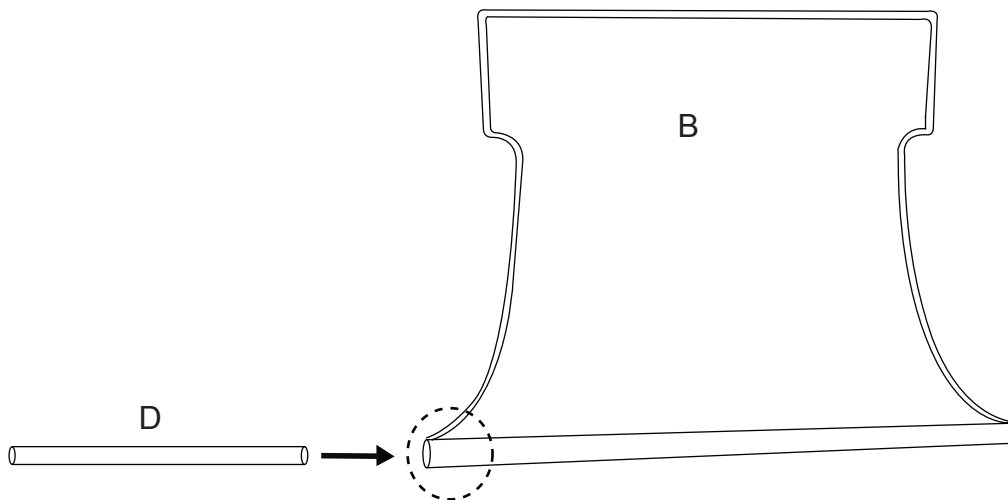
Hardware List			
LABEL		DESCRIPTION	QTY
H1	 M6*14mm	Bolts	8
H2	 M8*50mm	Bolts	2
H3	 6#	Allen Key	1
H4	 4#	Allen Key	1

Assembly Steps

1

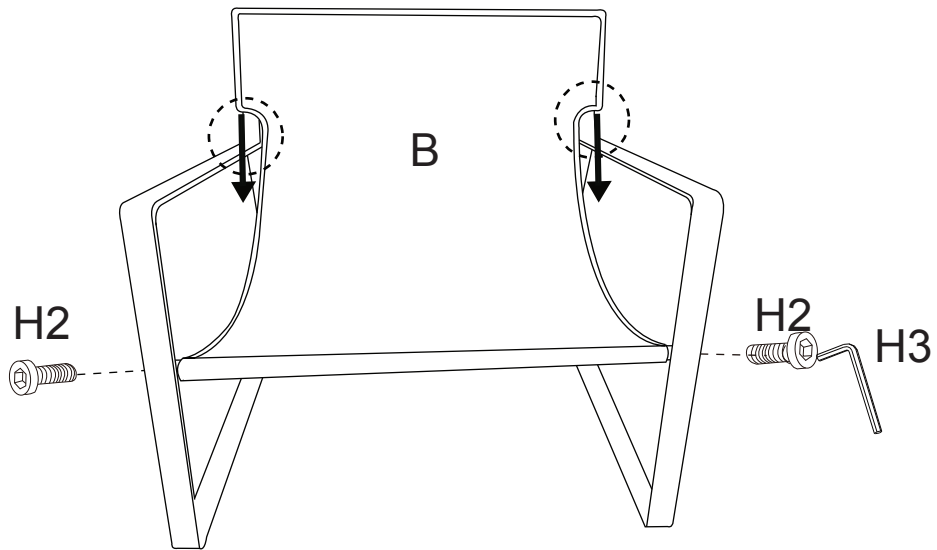


2



Assembly Steps

3



Please put on the backrest first, and then tighten the screws.

4

